



NexStar[®] 5SE

INSTRUCTION MANUAL

INTRODUCTION	4
WARNING	4
ASSEMBLY	6
ASSEMBLING THE NEXSTAR	6
<i>Powering the NexStar</i>	6
<i>The Hand Control</i>	6
<i>The Star Diagonal</i>	7
<i>The Eyepiece</i>	7
<i>The Star Pointer Finderscope</i>	7
<i>Removing the Optical Tube</i>	8
<i>Attaching the NexStar to the Tripod</i>	9
HAND CONTROL	10
HAND CONTROL OPERATION	11
<i>Alignment Procedure</i>	11
<i>Sky Align</i>	12
<i>Auto Two-Star Align</i>	13
<i>Two Star Alignment</i>	14
<i>One-Star Align</i>	14
<i>Solar System Align</i>	15
IMPROVING POINTING ACCURACY	16
<i>Alignment Stars:</i>	16
<i>Sync:</i>	17
<i>Undo Sync:</i>	17
OBJECT CATALOG	17
<i>Selecting an Object</i>	17
<i>Slewing to an Object</i>	18
<i>Finding Planets</i>	18
<i>Tour Mode</i>	18
<i>Constellation Tour</i>	18
DIRECTION BUTTONS	19
<i>Rate Button</i>	19
SETUP PROCEDURES	19
<i>Tracking Mode</i>	19
<i>Tracking Rate</i>	19
<i>View Time-Site</i>	20
<i>User Defined Objects</i>	20
CAMERA –	20
<i>Connecting Camera</i>	21
<i>Controlling Camera</i>	21
<i>Camera Wizard</i>	21
GET RA/DEC -	22
GOTO R.A/ DEC	22
IDENTIFY	22
PRECISE GOTo	22
SCOPE SETUP FEATURES	23
<i>Setup Time-Site</i>	23
<i>Anti-backlash</i>	23
<i>Slew Limits</i>	23

<i>Filter Limits</i>	23
<i>Direction Buttons</i>	23
<i>Goto Approach</i>	23
<i>Cordwrap</i>	24
UTILITY FEATURES	24
Wedge Align	24
<i>GPS On/Off</i>	24
<i>Light Control</i>	24
<i>Factory Setting</i>	24
Version	24
<i>Get Axis Position</i>	24
<i>Goto Axis Postion</i>	24
Hibernate	24
Sun Menu.....	24
Scrolling Menu	25
Calibrate Goto	25
Set Mount Position	25
<i>Hand Control Command Tree</i>	26
TELESCOPE BASICS.....	26
<i>Image Orientation</i>	27
<i>Focusing</i>	28
CALCULATING MAGNIFICATION	28
DETERMINING FIELD OF VIEW	28
GENERAL OBSERVING HINTS	29
THE CELESTIAL COORDINATE SYSTEM	30
MOTION OF THE STARS	31
POLAR ALIGNMENT	32
<i>Photography with the NexStar</i>	33
<i>Finding the North Celestial Pole</i>	34
CELESTIAL OBSERVING	35
OBSERVING THE MOON.....	35
OBSERVING THE PLANETS.....	35
OBSERVING THE SUN	35
OBSERVING DEEP SKY OBJECTS	36
SEEING CONDITIONS	36
<i>Transparency</i>	36
<i>Sky Illumination</i>	36
<i>Seeing</i>	36
TELESCOPE MAINTENANCE.....	37
<i>Care and Cleaning of the Optics</i>	37
<i>Collimation</i>	37
APPENDIX A - TECHNICAL SPECIFICATIONS.....	41
APPENDIX B - GLOSSARY OF TERMS.....	42
APPENDIX C – RS 232 CONNECTION	44
APPENDIX D – MAPS OF TIME ZONES.....	45
SKY MAPS.....	47



Introduction

Congratulations on your purchase of the Celestron NexStar! The NexStar ushers in a whole new generation of computer automated technology. Simple and friendly to use, the NexStar is up and running after locating just three bright objects. It's the perfect combination of power and portability. If you are new to astronomy, you may wish to start off by using the NexStar's built-in Sky Tour feature, which commands the NexStar to find the most interesting objects in the sky and automatically slews to each one. Or if you are an experienced amateur, you will appreciate the comprehensive database of nearly 40,000 objects, including customized lists of all the best deep-sky objects, bright double stars and variable stars. No matter at what level you are starting out, the NexStar will unfold for you and your friends all the wonders of the Universe.

Some of the many standard features of the NexStar include:

- Incredible 4°/second slew speed.
- Fully enclosed motors and optical encoders for position location.
- Integrated hand controller – built into the side of the fork arm.
- Storage for programmable user defined objects; and

Many other high performance features!

The NexStar's deluxe features combined with Celestron's legendary optical standards give amateur astronomers one of the most sophisticated and easy to use telescopes available on the market today.

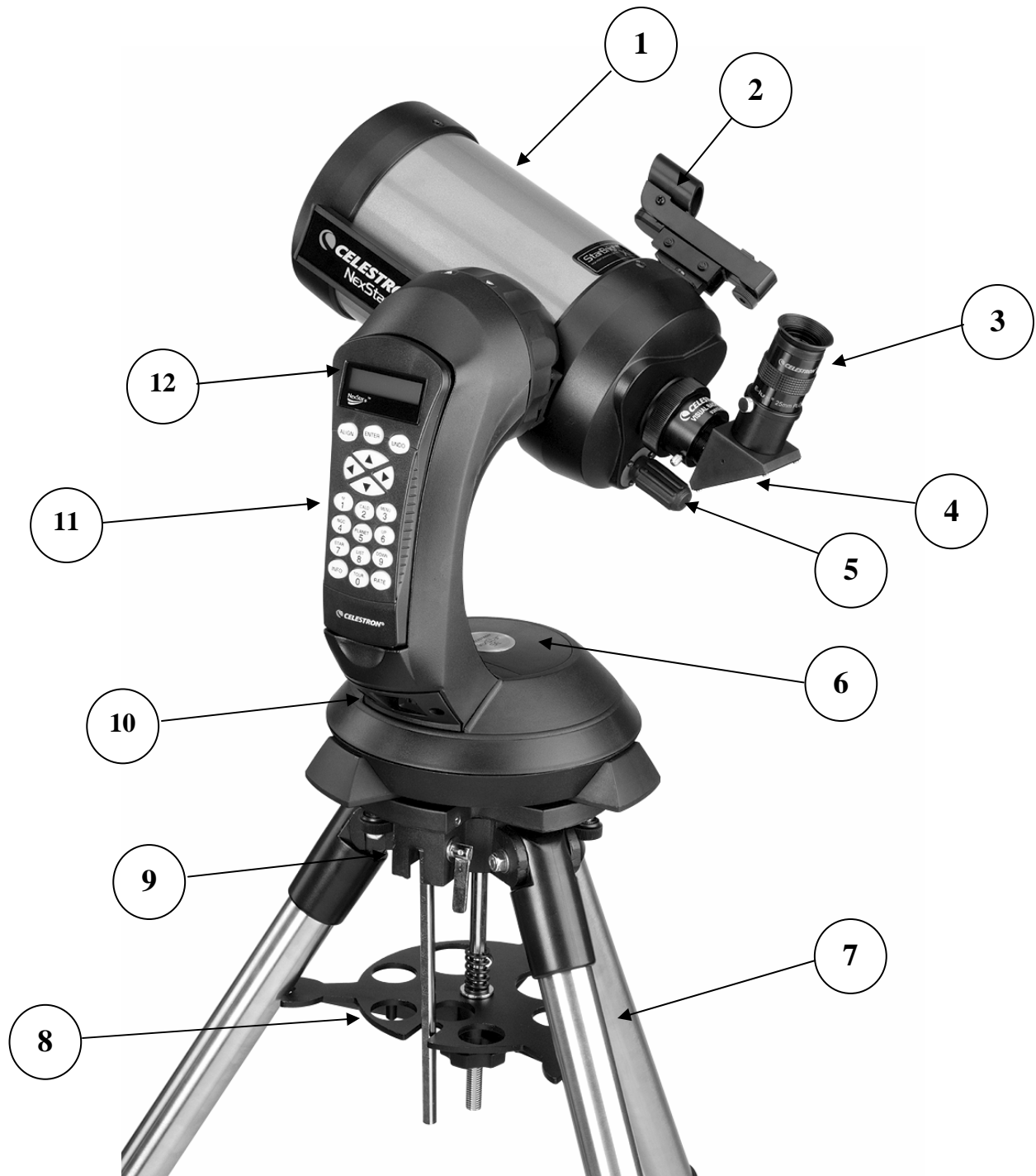
Take time to read through this manual before embarking on your journey through the Universe. It may take a few observing sessions to become familiar with your NexStar, so you should keep this manual handy until you have fully mastered your telescope's operation. The NexStar hand control has built-in instructions to guide you through all the alignment procedures needed to have the telescope up and running in minutes. Use this manual in conjunction with the on-screen instructions provided by the hand control. The manual gives detailed information regarding each step as well as needed reference material and helpful hints guaranteed to make your observing experience as simple and pleasurable as possible.

Your NexStar telescope is designed to give you years of fun and rewarding observations. However, there are a few things to consider before using your telescope that will ensure your safety and protect your equipment.

Warning



- ❑ **Never look directly at the sun with the naked eye or with a telescope (unless you are using the proper solar filter). Permanent and irreversible eye damage may result.**
- ❑ Never use your telescope to project an image of the sun onto any surface. Internal heat build-up can damage the telescope and any accessories attached to it.
- ❑ Never use an eyepiece solar filter or a Herschel wedge. Internal heat build-up inside the telescope can cause these devices to crack or break, allowing unfiltered sunlight to pass through to the eye.
- ❑ Never leave the telescope unsupervised, either when children are present or adults who may not be familiar with the correct operating procedures of your telescope.



1	Optical Tube	7	Tripod
2	Star Pointer Finderscope	8	Accessory Tray / Leg Brace
3	Eyepiece	9	Tilt Wedge Plate
4	Star Diagonal	10	ON/OFF Switch
5	Focuser Knob	11	Hand Control
6	Battery Compartment	12	Liquid Crystal Display

NexStar 5 SE

CELESTRON Assembly

The NexStar 5 comes completely pre-assembled and can be operational in a matter of minutes. The NexStar is conveniently packaged in one reusable shipping carton that contains all of the following accessories:

- 25mm Eyepiece – 1¼"
- Star Diagonal 1¼"
- Star Pointer Finderscope
- Steel Tripod with built-in Wedge
- The Sky™ Level 1 Astronomy Software
- NexRemote telescope control software
- RS232 Cable
- Camera Shutter Cable
- Computerized Hand Control with nearly 40,000 Object Database

Assembling the NexStar

Start by removing the telescope from its shipping carton and setting the round base on a flat table or surface. It is best to carry the telescope by holding it from the lower portion of the fork arm and from the bottom of the base. Remove all of the accessories from their individual boxes. Remember to save all of the containers so that they can be used to transport the telescope. Before the batteries can be installed, the telescope tube should be positioned horizontal to the ground. To do this, gently rotate the front of the tube upwards until it is level with the ground.

Powering the NexStar

The NexStar can be powered by eight AA batteries (not included), an optional 12v AC adapter or an optional car battery adapter. The battery compartment is located in the center of the telescope's base (see figure 3-1).

To power the NexStar with batteries:

1. Remove the battery cover from the center of the base by gently lifting up on the round portion of the cover.
2. Insert the batteries into the battery compartment of the base.
3. Reattach the battery compartment door by gently pushing down on the cover until it snaps into place.
4. Turn on the power to the NexStar by flipping the switch, located at the base of the fork arm, to the "On" position.

The Hand Control

The hand control is located on the side of the fork arm and can be removed and used remotely or used while attached to the fork. The hand control attaches to the fork arm by resting on two posts, located on the bottom of the hand control cradle, and a clip inside the fork arm. To remove the hand control from the fork arm cradle, gently lift the hand control upwards and pull out. To return the hand control into the fork arm, lower the hand control into the cradle so that the two holes in the bottom of the hand control go over the posts on the bottom of the cradle, and the opening in the back of the hand control slides over the clip inside the fork arm.

Once the telescope is powered up, the hand control can be used to move the optical tube in altitude (up and down) and azimuth (side to side). Use the Up arrow directional button to move the telescope tube until it is roughly parallel to the ground. This will

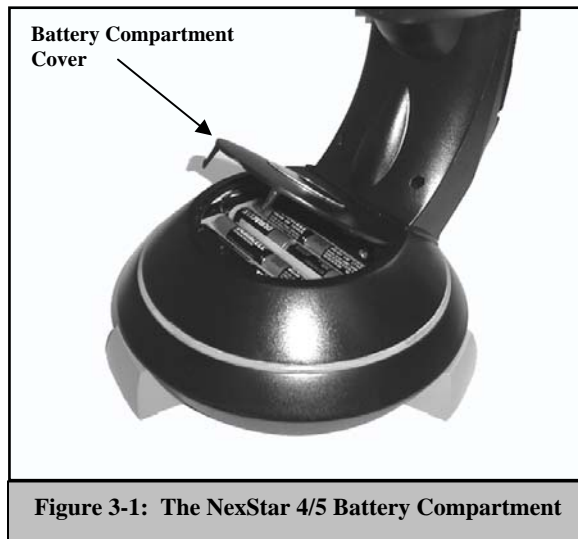


Figure 3-1: The NexStar 4/5 Battery Compartment

make it more convenient to attach the necessary accessories as well as remove the front lens cover and install batteries when they are needed.

You are now ready to attach the included visual accessories onto the telescope optical tube.

The Star Diagonal

The star diagonal diverts the light at a right angle from the light path of the telescope. For astronomical observing, this allows you to observe in positions that are more comfortable than if you were to look straight through. To attach the star diagonal:

1. Turn the thumbscrew on the visual back until its tip no longer extends into (i.e., obstructs) the inner diameter of the visual back.
2. Slide the chrome portion of the star diagonal into the visual back.
3. Tighten the thumbscrew on the visual back to hold the star diagonal in place.

If you wish to change the orientation of the star diagonal, loosen the thumbscrew on the visual back until the star diagonal rotates freely. Rotate the diagonal to the desired position and tighten the thumbscrew.

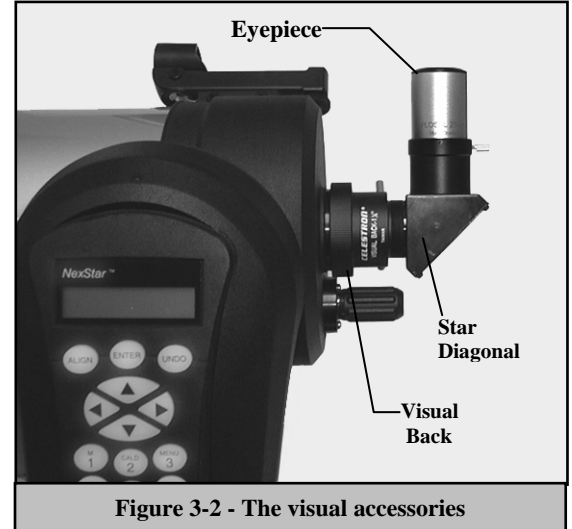


Figure 3-2 - The visual accessories

The Eyepiece

The eyepiece, or ocular, is the optical element that magnifies the image focused by the telescope. The eyepiece fits into either the visual back directly or the star diagonal. To install the eyepiece:

1. Loosen the thumbscrew on the star diagonal so it does not obstruct the inner diameter of the eyepiece end of the diagonal.
2. Slide the chrome portion of the eyepiece into the star diagonal.
3. Tighten the thumbscrew to hold the eyepiece in place.

To remove the eyepiece, loosen the thumbscrew on the star diagonal and slide the eyepiece out.

Eyepieces are commonly referred to by focal length and barrel diameter. The focal length of each eyepiece is printed on the eyepiece barrel. The longer the focal length (i.e., the larger the number) the lower the eyepiece power or magnification; and the shorter the focal length (i.e., the smaller the number) the higher the magnification. Generally, you will use low-to-moderate power when viewing. For more information on how to determine power, see the section on “Calculating Magnification.”

Barrel diameter is the diameter of the barrel that slides into the star diagonal or visual back. The NexStar uses eyepieces with a standard 1-1/4" barrel diameter.

The Star Pointer Finderscope

The Star Pointer is the quickest and easiest way to point your telescope exactly at a desired object in the sky. It's like having a laser pointer that you can shine directly onto the night sky. The Star Pointer is a zero magnification pointing tool that uses a coated glass window to superimpose the image of a small red dot onto the night sky. While keeping both eyes open when looking through the Star Pointer, simply move your telescope until the red dot, seen through the Star Pointer, merges with the object as seen with your unaided eye. The red dot is produced by a light-emitting diode (LED); it is not a laser beam and will not damage the glass window or your eye. The Star Pointer comes equipped with a variable brightness control, two axes alignment control and a quick-release dovetail mounting bracket. Before the Star Pointer is ready to be used, it must be attached to the telescope tube and properly aligned:

Star Pointer Installation

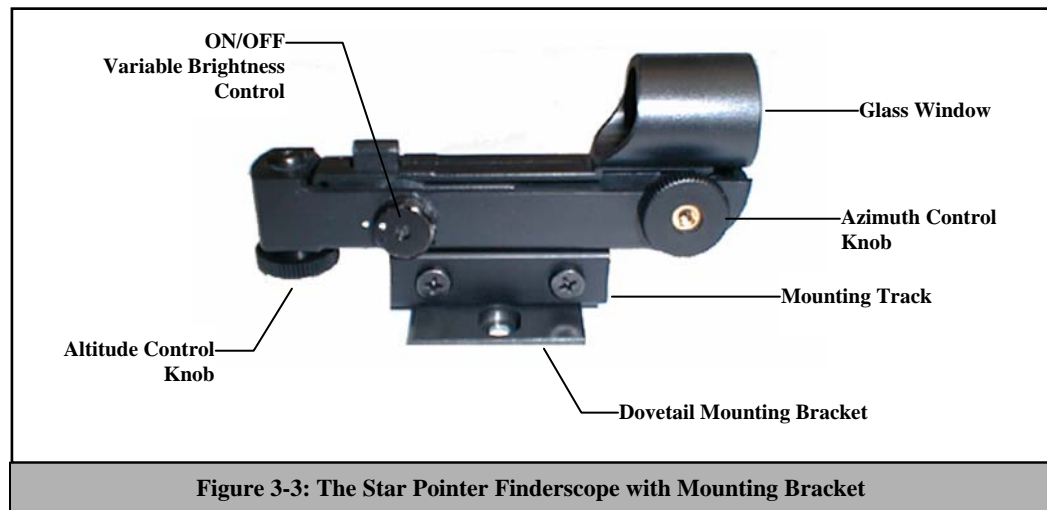
1. Locate the dovetail mounting bracket on the rear cell of the optical tube.

- Slide the mounting track at the bottom of the Star Pointer over the dovetail portion of the bracket. It may be necessary to loosen the two screws on the side of the mounting track before sliding it over the dovetail. The end of the Star Pointer with the glass window should be facing out towards the front of the telescope.
- Tighten the two screws on the side of the mounting track to secure the Star Pointer to the dovetail bracket.

Star Pointer Operation

The star pointer is powered by a long life 3-volt lithium battery (#CR2032) located underneath the front portion of the Star Pointer. Like all finderscopes, the Star Pointer must be properly aligned with the main telescope before it can be used. This is a simple process using the azimuth and altitude control knobs located on the side and bottom of the Star Pointer. The alignment procedure is best done at night since the LED dot will be difficult to see during the day.

- To turn on the Star Pointer, rotate the variable brightness control (see figure 3-3) clockwise until you here a "click". To increase the brightness level of the red dot, continue rotating the control knob about 180° until it stops. **Remember to remove the plastic cover over the battery, and always turn the power off after you have found an object. This will extend the life of both the battery and the LED.**

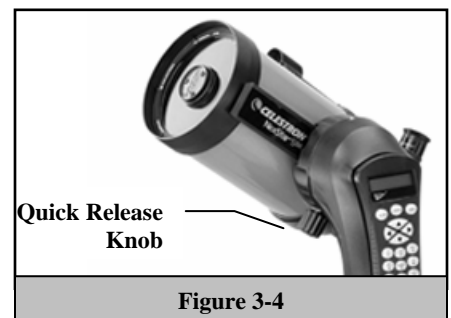


- Locate a bright star or planet and center it in a low power eyepiece in the main telescope.
- With both eyes open, look through the glass window at the alignment star.
- If the Star Pointer is perfectly aligned, you will see the red LED dot overlap the alignment star. If the Star Pointer is not aligned, take notice of where the red dot is relative to the bright star.
- Without moving the main telescope, turn the Star Pointer's azimuth and altitude alignment controls until the red dot is directly over the alignment star.

If the LED dot is brighter than the alignment star, it may make it difficult to see the star. Turn the variable brightness control counterclockwise, until the red dot is the same brightness as the alignment star. This will make it easier to get an accurate alignment. The Star Pointer is now ready to be used.

Removing the Optical Tube

The NexStar SE dovetailed quick release bracket that allows you to adjust the optical tube for proper balancing or remove the tube for safe storage. To adjust or remove the tube from that base, simply loosen the quick release clamp knob (see figure 3-4) and slide the tube back towards the rear cell of the tube.



Attaching the NexStar to the Tripod

The Celestron NexStar tripod is a sturdy, heavy duty mount on which to place your NexStar 4/5" telescope. This tripod can go anywhere, from your backyard to a remote observing site and can hold your NexStar in Alt-Az or can be polar aligned with the use of the built-in equatorial wedge tilt plate. The tripod comes completely assembled and only needs to have the center leg brace / accessory tray put in place.

To set up the tripod:

1. Hold the tripod with the head up, away from the ground.
2. Pull the legs apart until the legs are fully extended and press it down flat against the ground.
3. Place the center leg brace over the center support rod so that the slotted cutout is directly under the latitude adjustment rod.
4. Tighten with the leg brace locking knob until the leg brace firmly presses out against each leg.
5. The tripod will now stand by itself.

Your tripod has height adjustable legs for proper leveling on all types of surfaces. The tripod also comes with detached bubble level to assist in accurate leveling. To adjust the height and level the tripod:

1. Place the bubble level on the top of the tripod tilt plate. Make sure that the tilt plate is all the way down and horizontal to the ground.
2. Locate the tightening screw on the bottom of each tripod leg.
3. Rotate the knob counterclockwise until the inside portion of the tripod leg slides out.
4. Extend the center portion of the tripod leg to the desired height making sure that the bubble in the bubble level is centered..
5. Tighten the knob to hold the tripod leg in place.

If polar aligning your telescope, it is best to adjust the latitude of the wedge tilt plate before mounting the telescope:

1. Loosen the latitude locking lever (located next to the latitude adjustment rod) and raise the wedge tilt plate until the scale on the latitude adjustment rod is the same as the latitude of your observing site.
2. Tighten the locking lever to hold the tilt plate securely in place.
3. Set the base of the telescope on the wedge tilt plate so that the hole in the center of the base goes over the positioning pin on top of the tilt plate.
4. Rotate the base so the holes under each rubber foot line up with the mounting bolts attached to the tilt plate.
5. First thread in the mounting bolt closest to the latitude adjustment rod, then align the other two holes and thread in the remaining mounting bolts. Check that the latitude locking lever is still locked down tight.

Your NexStar is now securely attached to the tripod and ready for use.



CELESTRON Hand Control

The NexStar has a removable hand controller built into the side of the fork arm designed to give you instant access to all the functions the NexStar has to offer. With automatic slewing to nearly 40,000 objects, and common sense menu descriptions, even a beginner can master its variety of features in just a few observing sessions. Below is a brief description of the individual components of the NexStar hand controller:

1. **Liquid Crystal Display (LCD) Window:** Has a dual-line, 16 character display screen that is backlit for comfortable viewing of telescope information and scrolling text.
2. **Align:** Instructs the NexStar to use a selected star or object as an alignment position.
3. **Direction Keys:** Allows complete control of the NexStar in any direction. Use the direction keys to center objects in the StarPointer finderscope and eyepiece.

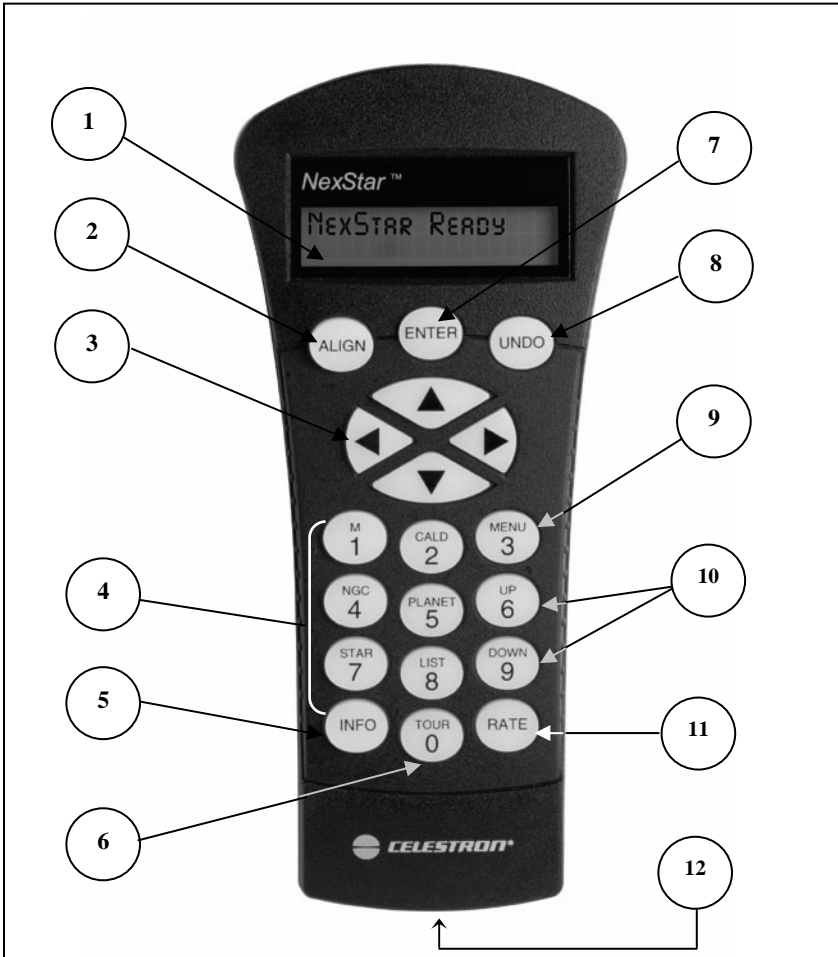


Figure 4-1
The NexStar Hand Control

4. **Catalog Keys:** The NexStar has a key on the hand control to allow direct access to each of the catalogs in its 40,000 object database. The NexStar contains the following catalogs in its database:
- Messier* – Complete list of all Messier objects.
 - NGC* – Select list of all the deep-sky objects in the Revised New General Catalog.
 - Caldwell* – A combination of the best NGC and IC objects.
 - Planets* - All 8 planets in our Solar System plus the Moon.
 - Stars* – A compiled list of the brightest stars from the SAO catalog.
 - List* – For quick access, all of the best and most popular objects in the NexStar database have been broken down into lists based on their type and/or common name:

Named Stars	Common name listing of the brightest stars in the sky.
Named Objects	Alphabetical listing of over 50 of the most popular deep sky objects.
Double Stars	Numeric-alphabetical listing of the most visually stunning double, triple and quadruple stars in the sky.
Variable Stars	Select list of the brightest variable stars with the shortest period of changing magnitude.
Asterisms	A unique list of some of the most recognizable star patterns in the sky.

5. **Info:** Displays coordinates and useful information about objects selected from the NexStar database.
6. **Tour:** Activates the tour mode, which seeks out all the best objects for a given month and automatically slews the NexStar to those objects.
7. **Enter:** Pressing *Enter* allows you to select any of the NexStar functions, accept entered parameters and slew the telescope to displayed objects.
8. **Undo:** *Undo* will take you out of the current menu and display the previous level of the menu path. Press *Undo* repeatedly to get back to a main menu or use it to erase data entered by mistake.
9. **Menu:** Displays the many setup and utilities functions such as tracking rate and user defined objects and many others.
10. **Scroll Keys:** Used to scroll up and down within any of the menu lists. A double arrow symbol on the right side of the LCD indicates that the scroll keys can be used to view additional information.
11. **Rate:** Instantly changes the rate of speed of the motors when the direction buttons are pressed.
12. **RS-232 Jack:** Allows you to interface with a computer and control the NexStar remotely.

Hand Control Operation

This section describes the basic hand control procedures needed to operate the NexStar. These procedures are grouped into three categories: Alignment, Setup and Utilities. The alignment section deals with the initial telescope alignment as well as finding objects in the sky; the setup section discusses changing parameters such as tracking mode and tracking rate; finally, the last section reviews all of the utility functions such as adjusting the telescopes slew limits and backlash compensation.

Alignment Procedure

In order for the NexStar to accurately point to objects in the sky, it must first be aligned to known positions (stars) in the sky. With this information, the telescope can create a model of the sky, which it uses to locate any object with known coordinates. There are many ways to align the NexStar with the sky depending on what information the user is able to provide: **SkyAlign** uses your current date, time and city to create an accurate model of the sky. Then the user can simply point the telescope to any three bright celestial objects to accurately align the telescope with the sky. **Auto Two-Star Align** will ask the user to choose and center the first alignment star, then the NexStar will automatically select and slew to a second star for alignment. **Two-Star Alignment** requires the user to identify and manually slew the telescope to the two alignment stars. **One-Star Align** is the same as Two-Star Align however only requires you to align to one known star. Although not as accurate as the other alignment methods, **One-Star Align** is the quickest way to find and track bright planets and objects in Altazimuth mode. **Solar System Align** will display a list of visible daytime objects (planets and the moon) available to align the

Definition

"Altazimuth" or "Alt-Az" refers to a type of mounting that allows a telescope to move in both altitude (up and down) and azimuth (left and right) with respect to the ground. This is the simplest form of mounting in which the telescope is attached directly to a tripod.

telescope. Finally, **EQ North and EQ South** alignments are designed to assist you in aligning the NexStar when polar aligned using the tripods built-in wedge. Each alignment method is discussed in detail below.

Sky Align

Sky Align is the easiest way to get your NexStar aligned and ready to observe. Even if you do not know a single star in the sky, the NexStar will have you aligned in minutes by asking for basic information like the date, time and location. Then you simply need to aim the telescope to any three bright celestial objects in the sky. Since Sky Align requires no knowledge of the night sky it is not necessary to know the name of the stars at which you are aiming. You may even select a planet or the moon. The NexStar is then ready to start finding and tracking any of the objects in its object database. Before the telescope is ready to be aligned, it should be set up in an outside location with all accessories (eyepiece, diagonal and finderscope) attached and lens cover removed. Also make sure that the tripod is leveled as described in the Assembly section of the manual. To begin Sky Align:

1. Power on the NexStar by flipping the switch located at the base of the fork are to the “on” position.
2. Press ENTER to choose *Sky Align*. Pressing the ALIGN key will bypass the other alignment options and the scrolling text and automatically begins *Sky Align*.
3. The hand control display will then ask for the following time/site information:

Location - The NexStar will display a list of cities to choose from. Choose the city from the database that is closest to your current observing site. The city you choose will be remembered in the hand controls memory so that it will be automatically displayed the next time an alignment is done. Alternatively, if you know the exact longitude and latitude of your observing site, it can be entered directly into the hand control and remembered for future use as well. To choose a location city:

- Use the Up and Down scroll keys to choose between *City Database* and *Custom Site*. *City Database* will allow you to select the closest city to your observing site from a list of either international or U.S. location. *Custom Site* allows you to enter the exact longitude and latitude of your observing site. Select *City Database* and press ENTER.
- The hand control will allow you to choose from either U.S. or international locations. For a listing of U.S. locations by state and then by city, press ENTER while **United States** is displayed. For international locations, use the Up or Down scroll key to select **International** and press ENTER.
- Use the Up and Down Scroll buttons to choose your current state (or country if International locations was selected) from the alphabetical listing and press ENTER.
- Use the Up and Down Scroll buttons to choose the closest city to your location from the displayed list and press ENTER.

Time - Enter the current time for your area. You can enter either the local time (i.e. 8:00), or you can enter military time (i.e. 20:00).

- Select PM or AM. If military time was entered, the hand control will bypass this step.
- Choose between Standard time or Daylight Savings time. Use the Up and Down scroll buttons (10) to toggle between options.
- Select the time zone that you are observing from. Again, use the Up and Down buttons (10) to scroll through the choices. For time zone information, refer to the Time Zone map in the appendix of this manual.

Date - Enter the month, day and year of your observing session. The display will read: mm/dd/yy.

-If the wrong information has been input into the hand control, the UNDO button will act as a backspace allowing the user to re-enter information.

Helpful Hints

-The next time that your NexStar is aligned, the hand control will automatically display the last location (either a city or longitude/latitude) that was entered. Press ENTER to accept these parameters if they still apply. Pressing the UNDO button will allow you to go back and select a new city location or longitude/latitude.

4. Use the arrow buttons on the hand control to slew (move) the telescope towards any bright celestial object in the sky. Align the object with the red dot of the finderscope and press ENTER.
5. If the finderscope has been properly aligned with the telescope tube, the alignment star should now be visible inside the field of view of the eyepiece. The hand control will ask that you center the bright alignment star in the center of the eyepiece and press the ALIGN button. This will accept the star as the first alignment position. (There is no need to adjust the slewing rate of the motors after each alignment step. The NexStar automatically selects the best slewing rate for aligning objects in both the finderscope and the eyepiece).
6. For the second alignment object, choose a bright star or planet as far as possible from the first alignment object. Once again use the arrow button to center the object in the finderscope and press ENTER. Then once centered in the eyepiece press the ALIGN button.
7. Repeat the process for the third alignment star. When the telescope has been aligned to the final stars, the display will read "**Match Confirmed**". Press UNDO to display the names of the three bright objects you aligned to, or press ENTER to accept these three objects for alignment. You are now ready to find your first object.

Tips for Using Sky Align

Remember the following alignment guidelines to make using Sky Align as simple and accurate as possible.

- Be sure to level the tripod before you begin alignment. The time/site information along with a level tripod will help the telescope better predict the available bright stars and planets that are above the horizon.
- Remember to select alignment stars that are as far apart in the sky as possible. For best results make sure that the third alignment star does not lie in a straight line between the first two stars. This may result in a failed alignment.
- Don't worry about confusing planets for stars when selecting alignment objects. SkyAlign works with the four brightest planets (Venus, Jupiter, Saturn and Mars) as well as the Moon. In addition to the planets, the hand control has over 80 bright alignment stars to choose from (down to 2.5 magnitude).
- Rarely SkyAlign will not be able to determine what three alignment objects were centered. This sometime happens when a bright planet or the Moon passes near one of the brighter stars. In situations like these it is best to try to avoid aligning to either object if possible.
- Be sure to center the objects with the same final movements as the direction of the GoTo Approach. For example, if the scope normally finishes a GoTo with the front of the scope moving right and up, you should center all three alignment objects in the eyepiece using the right and up arrow buttons (the up/down arrows reverse at slew rates of 6 or lower). Approaching the star from this direction when looking through the eyepiece will eliminate much of the backlash between the gears and assure the most accurate alignment possible.

Auto Two-Star Align

As with Sky Align, Auto Two-Star Align requires you to enter all the necessary time/site information as before. Once this information is entered, NexStar will prompt you to select and point the telescope at one known star in the sky. The NexStar now has all the information it needs to automatically choose a second star that will assure the best possible alignment. Once selected the telescope will automatically slew to that second alignment star to complete the alignment. With the NexStar set up outside with all accessories attached and the tripod leveled, follow the steps below to align the telescope:

1. Once the NexStar is powered on, Press ENTER to begin alignment.
2. Use the Up and Down scroll keys (10) to select *Auto Two-Star Align* and press ENTER.
3. The hand control will display the last time and location information that was entered into the hand control. Use the Up and Down buttons to scroll through the information. Press ENTER to accept the current information or press UNDO to manually edit the information (see Sky Align section for detailed instruction on entering time/site information).
4. The display will now prompt you to select a bright star from the displayed list on the hand control. Use Up and Down buttons (6 and 9 on the keypad) to scroll to the desired star and then press ENTER.
5. Use the arrow buttons to slew the telescope to the star you selected. Center the star in the finderscope and press ENTER. Finally, center the star in the eyepiece and press ALIGN.

- Based on this information, the NexStar will automatically display the most suitable second alignment star that is above the horizon. Press ENTER to automatically slew the telescope to the displayed star. If for some reason you do not wish to select this star (perhaps it is behind a tree or building), you can either:
 - Press the UNDO button to display the next most suitable star for alignment.
 - Use the UP and DOWN scroll buttons to manually select any star you wish from the entire list of available stars.

Once finished slewing, the display will ask you to use the arrow buttons to align the selected star with the red dot of the finderscope. Once centered in the finder, press ENTER. The display will then instruct you to center the star in the field of view of the eyepiece. When the star is centered, press ALIGN to accept this star as your second alignment star. When the telescope has been aligned to both stars the display will read **Align Success**, and you are now ready to find your first object.

Two Star Alignment

With the two-star alignment method, the NexStar requires the user to know the positions of two bright stars in order to accurately align the telescope with the sky and begin finding objects. Here is an overview of the two-star alignment procedure:

- Once the NexStar is powered on, use the Up and Down scroll keys (10) to select Two-Star Align, and press ENTER.
- Press ENTER to accept the time/site information displayed on the display, or press UNDO to enter new information.
- The SELECT STAR 1 message will appear in the top row of the display. Use the Up and Down scroll keys (10) to select the star you wish to use for the first alignment star. Press ENTER.
- NexStar then asks you to center in the eyepiece the alignment star you selected. Use the direction arrow buttons to slew the telescope to the alignment star and carefully center the star in the finderscope. Press ENTER when centered.
- Then, center the star in the eyepiece and press ALIGN.



Helpful
Hint

In order to accurately center the alignment star in the eyepiece, you may wish to decrease the slew rate of the motors for fine centering. This is done by pressing the RATE key (11) on the hand controller then selecting the number that corresponds to the speed you desire. (9 = fastest , 1 = slowest).

- NexStar will then ask you to select and center a second alignment star and press the ALIGN key. It is best to choose alignment stars that are a good distance away from one another. Stars that are at least 40° to 60° apart from each other will give you a more accurate alignment than stars that are close to each other.

Once the second star alignment is completed properly, the display will read **Align Successful**, and you should hear the tracking motors turn-on and begin to track.

One-Star Align

One-Star Align requires you to input all the same information as you would for the Two-Star Align procedure. However, instead of slewing to two alignment stars for centering and alignment, the NexStar uses only one star to model the sky based on the information given. This will allow you to roughly slew to the coordinates of bright objects like the moon and planets and gives the NexStar the information needed to track objects in altazimuth in any part of the sky. One-Star Align is not meant to be used to accurately locate small or faint deep-sky objects or to track objects accurately for photography.

To use One-Star Align:

- Select One-Star Align from the alignment options.
- Press ENTER to accept the time/site information displayed on the display, or press UNDO to enter new information.
- The SELECT STAR 1 message will appear in the top row of the display. Use the Up and Down scroll keys (10) to select the star you wish to use for the first alignment star. Press ENTER.
- NexStar then asks you to center in the eyepiece the alignment star you selected. Use the direction arrow buttons to slew the telescope to the alignment star and carefully center the star in the finderscope. Press ENTER when centered.
- Then, center the star in the eyepiece and press ALIGN.
- Once in position, the NexStar will model the sky based on this information and display **Align Successful**.

Note: Once a One-Star Alignment has been done, you can use the Re-alignment feature (later in this section) to improve your telescope's pointing accuracy.

Solar System Align



Solar System Align is designed to provide excellent tracking and GoTo performance by using solar system objects (Sun, Moon and planets) to align the telescope with the sky. Solar System Align is a great way to align your telescope for daytime viewing as well as a quick way to align the telescope for night time observing.

Never look directly at the sun with the naked eye or with a telescope (unless you have the proper solar filter). Permanent and irreversible eye damage may result.

1. Select *Solar System Align* from the alignment options.
2. Press ENTER to accept the time/site information displayed on the display, or press UNDO to enter new information.
3. The SELECT OBJECT message will appear in the top row of the display. Use the Up and Down scroll keys (10) to select the daytime object (planet, moon etc) you wish to align. Press ENTER.
4. NexStar then asks you to center in the eyepiece the alignment object you selected. Use the direction arrow buttons to slew the telescope to the alignment object and carefully center it in the finderscope. Press ENTER when centered.
5. Then, center the object in the eyepiece and press ALIGN.

Once in position, the NexStar will model the sky based on this information and display **Align Successful**.

Tips for Using Solar System Align

- For safety purposes, the Sun will not be displayed in any of the hand control's customer object lists unless it is enabled from the Utilities Menu. To allow the Sun to be displayed on the hand control, do the following:
 1. Press the UNDO button until the display reads "NexStar SE"
 2. Press the MENU button and use the Up and Down keys to select the *Utilities menu*. Press ENTER.
 3. Use the UP and Down keys to select *Sun Menu* and press ENTER.
 4. Press ENTER again to allow the Sun to appear on the hand control display.

The Sun can be removed from the display by using the same procedure as above.

To improve the telescope pointing accuracy, you can use the Re-Align feature as described below.

EQ North / EQ South Alignment

EQ North and EQ South Alignments assist the user in aligning the telescope when polar aligned using the tripod's built-in equatorial wedge. Similar to the Altazimuth alignments described earlier, the EQ alignments gives you the choice of performing an AutoAlign, Two-Star alignment, One-Star alignment or Solar System alignment. For help in polar aligning your NexStar, see the Astronomy Basics section later in the manual.

EQ AutoAlign

The EQ AutoAlign uses all the same time/site information as the Alt-Az alignments, however it also requires you to position the tube so that the altitude index markers are aligned (see figure 4-2), and then rotate the telescope base until the tube is pointed towards the Meridian (see figure 4-3). Based on this information the NexStar will automatically slew to two selected alignment stars to be centered and aligned. To use EQ Auto-Align:

1. Select EQ North or South Align from the alignment options and press ENTER
2. Press ENTER to accept the time/site information displayed on the display, or press UNDO to enter the time/site information manually.
3. Select EQ AutoAlign method and press ENTER
4. With *Set Alt to Index* displayed on the hand control screen, use the up and down arrow buttons to move the telescope tube upwards until the altitude index markers are aligned. The altitude index markers are located at the top of the fork arm. See figure 4-2.
5. When *Find Meridian* is displayed on the hand control screen, use the left and right arrow buttons to move the telescope base until optical tube is pointing towards the Meridian.
6. Based on this information, the NexStar will automatically display the most suitable alignment stars that are above the horizon. Press ENTER to automatically

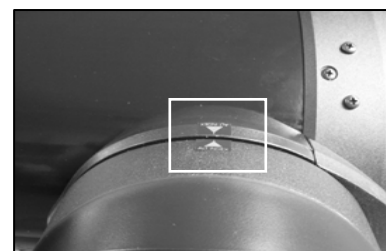


Figure 4-2 - Altitude Index Markers

slew the telescope to the displayed star. If for some reason you do not wish to select one of these stars (perhaps it is behind a tree or building), you can either:

- Press the UNDO button to display the next most suitable star for alignment.
 - Use the UP and DOWN scroll buttons to manually select any star you wish from the entire list of available stars.
7. The telescope then asks you to center in the eyepiece the alignment object you selected. Use the direction arrow buttons to slew the telescope to the alignment object and carefully center it in the finderscope. Press ENTER when centered.
 8. Then, center the object in the eyepiece and press ALIGN.
 9. Once you press the ALIGN button the telescope will automatically slew to a second alignment star. Repeat steps 6 and 7 to complete alignment.

EQ Two-Star Align

The EQ Two-Star Align follows most of the same steps as the Alt-Az Two-Star Align. This alignment method does not require the user to align the altitude index markers or point towards the Meridian, but it does require the user to locate and align the telescope on two bright stars. When selecting alignment stars it is best to choose stars that, a) have a large separation in azimuth and b) both are either positive or negative in declination. Following these two guidelines will result in a more accurate EQ Two-Star alignment.

EQ One-Star Align

EQ One-Star Align operates much the same way as EQ Two-Star Align however it only relies on the alignment of one star to align the telescope. To use EQ One-Star Align follow steps 1 through 7 under the EQ Two-Star Align section.

EQ Solar System Align

This alignment method allows you use only one solar system object to equatorially align the telescope for daytime use. To align your telescope using a solar system object follow steps 1 through 7 under the EQ Two-Star Align section.

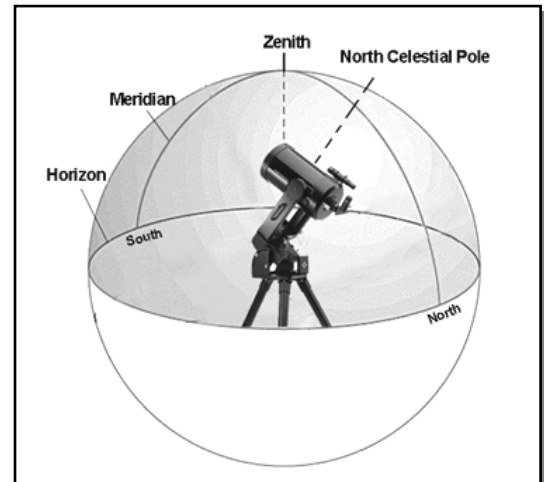


Figure 4-3

The Meridian is an imaginary line in the sky that starts at the North celestial pole and ends at the South celestial pole and passes through the zenith. If you are facing South, the meridian starts from your Southern horizon and passes directly overhead to the North celestial pole.

Improving Pointing Accuracy

The NexStar SE telescope have several options that allow you to improve the pointing accuracy of your mount in a variety of ways.

Alignment Stars:

Alignment stars allows you to replace any of the original alignment stars with a new star or celestial object. This will improve the pointing accuracy of your telescope without having to re-enter addition information.

To replace an existing alignment star with a new alignment star:

1. Select the desired star (or object) from the database and slew to it.
2. Once centered, press the UNDO button until you are at the main menu.
3. With NexStar SE displayed, press the ALIGN key on the hand control.
4. Use the Up/Down buttons and select the *Alignment Stars* option and press ENTER.
5. The display will then ask you which alignment star you want to replace. Use the UP and Down scroll keys to select the alignment star to be replaced and press ENTER. It is usually best to replace the star closest to the new object. This will space out your alignment stars across the sky.
6. Align the star in the center of the finderscope and press ENTER.
7. Carefully center the object in the center of the eyepiece and press ALIGN

Sync:

The Sync feature can be used to improve pointing accuracy in a specific region of the sky. Sync is a very useful feature especially when used in conjunction with the Constellation tour and Identify feature in which you will be exploring smaller areas of the sky. To Sync on an object:

1. Select the desired star (or object) from the database and slew to it.
2. Once centered, press the UNDO button until you are at the main menu.
3. With **NexStar SE** displayed, press the ALIGN key on the hand control.
4. Use the Up/Down buttons and select the Sync option and press ENTER.
5. Align the Sync object in the center of the finderscope and press ENTER.
6. Carefully center the object in the center of the eyepiece and press ALIGN.

Your telescope's pointing accuracy will now be improved in that area of the sky.

NOTE: *Sync* can improve your telescope's pointing accuracy over a wide area or over smaller areas of the sky depending on the quality of the initial alignment, as well as where the telescope was pointing when the *Sync* was done.

Undo Sync:

Since doing a Sync can affect your pointing accuracy in other parts of the sky, it may be necessary to 'Un-Sync' your telescope when exploring other parts of the sky. Doing an Undo Sync will restore the pointing of your telescope to its original alignment. Additionally, if you wish to add calibration stars or re-alignment stars you will be asked to do an Undo Sync before you will be able to proceed

Object Catalog

Selecting an Object

Now that the telescope is properly aligned, you can choose an object from any of the catalogs in the NexStar's database. The hand control has a key designated for each of the catalogs in its database. There are two ways to select objects from the database; scrolling through the named object lists and entering object numbers:

- Pressing the LIST key on the hand control will access all objects in the database that have common names or types. Each list is broken down into the following categories: Named Stars, Named Object, Double Stars, Variable Stars and Asterisms. Selecting any one of these options will display an alpha-numeric listing of the objects under that list. Pressing the Up and Down keys (10) allows you to scroll through the catalog to the desired object.
- Pressing any of the catalog keys (M, CALD, NGC, or STAR) will display a blinking cursor below the name of the catalog chosen. Use the numeric key pad to enter the number of any object within these standardized catalogs. For example, to find the Orion Nebula, press the "M" key and enter "042".
- Pressing the PLANET button will allow you to use the UP and DOWN arrow keys to scroll through and select the eight planets as well as the moon.

When scrolling through a long list of objects, holding down either the Up or Down key will allow you to scroll through the catalog at a rapid speed.

When entering the number for a SAO star, you are only required to enter the first four digits of the objects six digit SAO number. Once the first four digits are entered, the hand control will automatically list all the available SAO objects beginning with those numbers. This allows you to scroll through only the SAO stars in the database. For example, in searching for the SAO star 40186 (Capella), the first four digits would be "0401". Entering this number will display the closest match from the SAO stars available in the database. From there you can scroll down the list and select the desired object.

Slewing to an Object

Once the desired object is displayed on the hand control screen, you have two options:

- **Press the INFO Key.** This will give you useful information about the selected object such as magnitude, constellation and fascinating facts about many of the objects.
- **Press the ENTER Key.** This will automatically slew the telescope to the coordinates of the object. While the telescope is slewing to the object, the user can still access many of the hand control functions (such as displaying information about the object).

If you slew to an object that is below the horizon, NexStar will notify you by displaying a message reminding you that you have selected an object outside of your slew limits (see Slew Limits in the Scope Setup section of the manual). Press UNDO to go back and select a new object. Press ENTER to ignore the message and continue the slew. The NexStar hand control will only display objects that are below the horizon if the Filter Limits are set below 0° in altitude. See Filter Limits in the Utility Feature section of the manual for more information on setting the filter limits.

Caution: Never slew the telescope when someone is looking into the eyepiece. The telescope can move at fast slew speeds and may hit an observer in the eye.

Object information can be obtained without having to do a star alignment. After the telescope is powered on, pressing any of the catalog keys allows you to scroll through object lists or enter catalog numbers and view the information about the object as described above.

Finding Planets

The NexStar can locate all 8 of our solar systems planets plus the Sun and Moon. However, the hand control will only display the solar system objects that are above the horizon (or within its filter limits). To locate the planets, press the PLANET key on the hand control. The hand control will display all solar system objects that are above the horizon:

- Use the **Up and Down** keys to select the planet that you wish to observe.
- Press **INFO** to access information on the displayed planet.
- Press **ENTER** to slew to the displayed planet.

To allow the Sun to be displayed as an option in the database, see *Sun Menu* in the Utilities section of the manual.

Tour Mode

The NexStar includes a tour feature which automatically allows the user to choose from a list of interesting objects based on the date and time in which you are observing. The automatic tour will display only those objects that are within your set filter limits. To activate the Tour mode, press the TOUR key on the hand control. The NexStar will display the best objects to observe that are currently in the sky.

- To see information and data about the displayed object, press the INFO key.
- To slew to the object displayed, press ENTER.
- To see the next tour object, press the Down key.

Constellation Tour

In addition to the Tour Mode, the NexStar telescope has a Constellation Tour that allows the user to take a tour of all the best objects within a particular constellation. Selecting *Constellation* from the LIST menu will display all the constellation names that are above the user defined horizon (filter limits). Once a constellation is selected, you can choose from any of the database object catalogs to produce a list of all the available objects in that constellation.

- To see information and data about the displayed object, press the INFO key.
- To slew to the object displayed, press ENTER.
- To see the next tour object, press the Up key.

Direction Buttons

The NexStar has four direction buttons in the center of the hand control which control the telescope motion in altitude (up and down) and azimuth (left and right). The telescope can be controlled at nine different speed rates.

<i>1 = .5x</i>	<i>6 = 64x</i>
<i>2 = 1x</i>	<i>7 = 1° / sec</i>
<i>3 = 4x</i>	<i>8 = 2° / sec</i>
<i>4 = 8x</i>	<i>9 = 4° / sec</i>
<i>5 = 16x</i>	
Nine available slew speeds	

Rate Button

Pressing the RATE key (11) allows you to instantly change the speed rate of the motors from high speed slew rate to precise guiding rate or anywhere in between. Each rate corresponds to a number on the hand controller key pad. The number 9 is the fastest rate (4° per second, depending on power source) and is used for slewing between objects and locating alignment stars. The number 1 on the hand control is the slowest rate (.5x sidereal) and can be used for accurate centering of objects in the eyepiece. To change the speed rate of the motors:

- Press the RATE key on the hand control. The LCD will display the current speed rate.
- Press the number on the hand control that corresponds to the desired speed.

The hand control has a "double button" feature that allows you to instantly speed up the motors without having to choose a speed rate. To use this feature, simply press the arrow button that corresponds to the direction that you want to move the telescope. While holding that button down, press the opposite directional button. This will increase the speed to the maximum slew rate.

Setup Procedures

The NexStar contains many user defined setup functions designed to give the user control over the telescope's many advanced features. All of the setup and utility features can be accessed by pressing the MENU key and scrolling through the options:

Tracking Mode - Once the NexStar is aligned the tracking motors will automatically turn on and begin tracking the sky. However, the tracking can be turned off for terrestrial use:

Alt-Az	This is the default tracking rate and is used when the telescope is placed on a flat surface or tripod without the use of an equatorial wedge. The telescope must be aligned with two stars before it can track in Alt-Az.
EQ North	Used to track the sky when the telescope is polar aligned using an equatorial wedge in the Northern Hemisphere.
EQ South	Used to track the sky when the telescope is polar aligned using an equatorial wedge in the Southern Hemisphere.
Off	When using the telescope for terrestrial (land) observation, the tracking can be turned off so that the telescope never moves.

Tracking Rate - In addition to being able to move the telescope with the hand control buttons, the NexStar will continually track a celestial object as it moves across the night sky. The tracking rate can be changed depending on what type of object is being observed:

Sidereal This rate compensates for the rotation of the earth by moving the telescope at the same rate as the rotation of the earth, but in the opposite direction. When the telescope is polar aligned, this can be accomplished by moving the telescope in Right Ascension only. When mounted in Alt-Az mode, the telescope must make corrections in both R.A. and declination.

Lunar Used for tracking the moon when observing the lunar landscape.

Solar Used for tracking the Sun when solar observing using a proper solar filter.

View Time-Site - *View Time-Site* will display the last saved time and longitude/latitude entered in the hand control.

User Defined Objects - The NexStar can store over 100 different user defined objects in its memory. The objects can be daytime land objects or an interesting celestial object that you discover that is not included in the regular database. There are several ways to save an object to memory depending on what type of object it is:

Save Sky Object: The NexStar stores celestial objects to its database by saving its right ascension and declination in the sky. This way the same object can be found each time the telescope is aligned. Once a desired object is centered in the eyepiece, simply scroll to the "**Save Sky Obj**" command and press ENTER. The display will ask you to enter a number between 1-99 to identify the object. Press ENTER again to save this object to the database.

Save Database (Db) Object:

This feature allows you to create your own custom tour of database objects by allowing you to record the current position of the telescope and save the name of the object by selecting it from any one of the database catalogs. These objects then can be accessed by selecting *GoTo Sky Object*.

Save Land Object: The NexStar can also be used as a spotting scope on terrestrial objects. Fixed land objects can be stored by saving their altitude and azimuth relative to the location of the telescope at the time of observing. Since these objects are relative to the location of the telescope, they are only valid for that exact location. To save land objects, once again center the desired object in the eyepiece. Scroll down to the "**Save Land Obj**" command and press ENTER. The display will ask you to enter a number between 1-9 to identify the object. Press ENTER again to save this object to the database.

Enter R.A. - Dec: You can also store a specific set of coordinates for an object just by entering the R.A. and declination for that object. Scroll to the "**Enter RA-DEC**" command and press ENTER. The display will then ask you to enter first the R.A. and then the declination of the desired object.

GoTo Object: To go to any of the user defined objects stored in the database, scroll down to either **GoTo Sky Obj** or **GoTo Land Obj** and enter the number of the object you wish to select and press ENTER. NexStar will automatically retrieve and display the coordinates before slewing to the object.

To replace the contents of any of the user defined objects, simply save a new object using one of the existing identification numbers; NexStar will replace the previous user defined object with the current one.

Camera –

Your NexStar mount includes a Camera control feature that allows you to remotely take a series of exposures using your digital SLR (DSLR) camera body. The camera feature comes with an easy to use Camera Wizard that allows you to save a list of as many as nine targets. Then with a DSLR attached or piggyback mounted to your telescope, NexStar will automatically slew to the specified targets and take an exposure of each one.

Connecting a Camera to the NexStar Mount

Your NexStar mount has a camera control port that allows you to connect your camera using the supplied Shutter Release Cable and a firing cable for your model of camera (not included). To connect you camera:

1. Attach the phone jack end of the supplied cable into the camera port on the base of the mount.
2. Plug the 2.5mm mono jack end of your user supplied firing cable into the Shutter Release Cable.
3. Plug the firing cable into the electric cable release port for your model of camera.

For a description of how to attach a camera body to you NexStar mount, see *Astronomy Basics* section.

To locate a firing cable for your model of camera, contact your local camera retailer or go to the following web site, <http://www.microsyncdigital.com>

Controlling your Camera

Camera Wizard

The Camera Wizard is the quickest way to build an imaging sequence of targets and exposure times. The Wizard will ask you to point the telescope/camera to up to 9 objects. After the user selects 9 objects or presses UNDO it asks you whether the sequence should repeat forever (perhaps for security monitoring) or whether it should stop when it gets to the end.

To use the Camera Wizard:

1. From the Main Menu, press the Menu button and select the Camera option
2. Select the Camera Wizard option and press Enter
3. The hand control will prompt you to slew the telescope to the objects you wish to photograph. Carefully center the object in the eyepiece or camera viewfinder.
4. Repeat step #3 for as many as nine different objects or press Undo after the last selected object has been centered.
5. Next use the Up/Down buttons to select whether you want the imaging sequence to stop after the final target has been photographed or if you want it to start over from the beginning and repeat the exposure sequence.
6. Press Enter if you wish to start the exposure sequence as is, or press Undo if you wish to edit the individual object entries.

Take Exposure - The Take Exposures option starts the imaging sequence. You can hit UNDO at any time to abort the sequence.

Edit Entries – Edit Entries can be used to view, edit or add objects to the list that was created with the Camera Wizard. You can scroll through each object in the list and select the parameters you want to edit.

Each list entry has the following attributes:

Object Type:

Sky Object - Saves the object as a user defined sky object

- Land Object – Saves the object as a user defined land object
- Note: If the telescope was aligned when the object list was created, then the Camera Wizard will automatically save new objects as sky object. If the telescope is not aligned, objects are saved as land objects.
- No Change -The No Change object type is used when you want to take an image of the same object that was selected before it, but with a different exposure time. This prevents the telescope from re-slewing to the same object when only the exposure values have been changed.
- Empty – This indicates that there is no object saved for that entry. If the object type is changed to “empty”, the information for that entry will be erased.

Object Number (for land and sky objects) - Although the Camera Wizard only lets you save up to nine objects, there are 25 allotted spaces that allow you to add additional entries of your own. For example, if you already have user defined objects stored to memory, you can select the number of the object and its position will also be saved to your imaging sequence.

Repeat Count- Allows you to set the number of exposures per object.

Exposure Time- Allows you to set the duration of each exposure in seconds.

Long exposures – To take an exposure for more than 1 second, your camera must be set to the “Bulb” setting. Then the camera will take the exposure for the amount of time entered into the hand control.

Snapshots- If you want to take an image for 1 second or less, your camera should in normal mode and the hand control exposure value should be set to “1”. When this value is set to “1”, the camera will default back to “snapshot” mode and will take an exposure for the duration of time determined by your camera.

Exposure Delay- Allows you to set a time delay between each exposure.

Sequence End - The Sequence End option lets you select whether the imaging sequence should repeat indefinitely or stop once it reaches the last entry.

Get RA/DEC - Displays the right ascension and declination for the current position of the telescope.

Goto R.A/ Dec - Allows you to input a specific R.A. and declination and slew to it.

Identify

Identify Mode will search any of the NexStar database catalogs or lists and display the name and offset distances to the nearest matching objects. This feature can serve two purposes. First, it can be used to identify an unknown object in the field of view of your eyepiece. Additionally, *Identify Mode* can be used to find other celestial objects that are close to the objects you are currently observing. For example, if your telescope is pointed at the brightest star in the constellation Lyra, choosing *Identify* and then searching the *Named Star* catalog will no doubt return the star Vega as the star you are observing. However, by selecting *Identify* and searching by the *Named Object* or *Messier* catalogs, the hand control will let you know that the Ring Nebula (M57) is approximately 6° from your current position. Searching the Double Star catalog will reveal that Epsilon Lyrae is only 1° away from Vega. To use the *Identify* feature:

- Press the Menu button and select the Identify option.
- Use the Up/Down scroll keys to select the catalog that you would like to search.
- Press ENTER to begin the search.

Note: Some of the databases contain thousands of objects, and can therefore take a minute or two to return the closest object.

Precise GoTo

The NexStar has a precise goto function that can assist in finding extremely faint objects and centering objects closer to the center of the field of view for high power viewing or astrophotography. Precise Goto automatically searches out the closest bright star to the desired object and asks the user to carefully center it in the eyepiece. The hand control then calculates the small difference between its goto position and its centered position. Using this offset, the telescope will then slew to the desired object with enhanced accuracy. To use Precise Goto:

1. Press the MENU button and use the Up/Down keys to select *Precise Goto*.
 - Choose *Database* to select the object that you want to observe from any of the database catalogs listed
 - Choose *RA/DEC* to enter a set of celestial coordinates that you wish to slew to.
2. Once the desired object is selected, the hand control will search out and display the closest bright star to your desired object. Press ENTER to slew to the bright alignment star.
3. Use the direction buttons to carefully center the alignment star in the eyepiece.

Press ENTER to slew to the desired object.

Scope Setup Features

Setup Time-Site - Allows the user to customize the NexStar display by changing time and location parameters (such as time zone and daylight savings).

Anti-backlash - All mechanical gears have a certain amount of backlash or play between the gears. This play is evident by how long it takes for a star to move in the eyepiece when the hand control arrow buttons are pressed (especially when changing directions). The NexStar's anti-backlash features allows the user to compensate for backlash by inputting a value which quickly rewinds the motors just enough to eliminate the play between gears. The amount of compensation needed depends on the slewing rate selected; the slower the slewing rate the longer it will take for the star to appear to move in the eyepiece. Therefore, the anti-backlash compensation will have to be set higher. You will need to experiment with different values; a value between 20 and 50 is usually best for most visual observing, whereas a higher value may be necessary for photographic guiding. Positive backlash compensation is applied when the mount changes its direction of movement from backwards to forwards. Similarly, negative backlash compensation is applied when the mount changes its direction of movement from forwards to backwards. When tracking is enabled, the mount will be moving in one or both axes in either the positive or negative direction, so backlash compensation will always be applied when a direction button is released and the direction moved is opposite to the direction of travel.

To set the anti-backlash value, scroll down to the anti-backlash option and press ENTER. Enter a value from 0-99 for both azimuth and altitude directions and press ENTER after each one to save these values. NexStar will remember these values and use them each time it is turned on until they are changed.

Slew Limits - Sets the limits in altitude that the telescope can slew without displaying a warning message. The slew limits prevent the telescope tube from slewing to an object below the horizon. The slew limits can be customized depending on your needs. For example, if you would like to slew to an object that is close to the zenith but you have a camera attached that prevents it from pointing straight up, you can set the maximum altitude to 80 or 85 degrees to prevent the tube from ever pointing straight up.

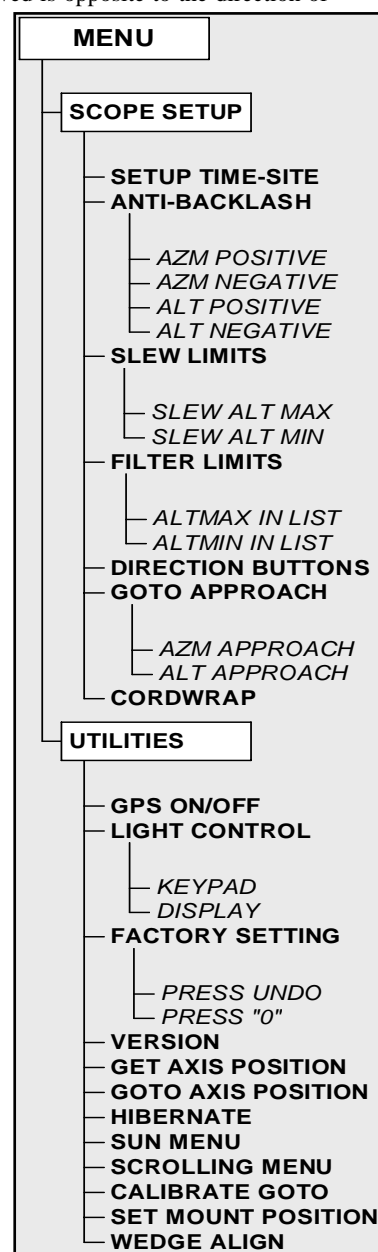
Filter Limits - When an alignment is complete, the NexStar automatically knows which celestial objects are above the horizon. As a result, when scrolling through the database lists (or selecting the Tour function), the NexStar hand control will display only those objects that are known to be above the horizon when you are observing. You can customize the object database by selecting altitude limits that are appropriate for your location and situation. For example, if you are observing from a mountainous location where the horizon is partially obscured, you can set your minimum altitude limit to read +20°. This will make sure that the hand control only displays objects that are higher in altitude than 20°.

Observing Tip!

If you want to explore the entire object database, set the maximum altitude limit to 90° and the minimum limit to -90°. This will display every object in the database lists regardless of whether it is visible in the sky from your location or not.

Direction Buttons - The direction a star moves in the eyepiece varies depending on the accessories being used. This can create confusion when guiding on a star using an off-axis guider versus a straight through guide scope. To compensate for this, the direction of the drive control keys can be changed. To reverse the button logic of the hand control, press the MENU button and select *Direction Buttons* from the Utilities menu. Use the Up/Down arrow keys (10) to select either the Azimuth buttons (left and right) or Altitude buttons (up and down) and press ENTER. Pressing ENTER again will reverse the direction of the hand control buttons from their current state. Direction Buttons will only change the eyepiece rates (rate 1-6) and will not affect the slew rates (rate 7-9).

Goto Approach - lets the user define the direction that the telescope will approach when slewing to an object. This allows the user the ability to minimize the affects of backlash. For example, if your telescope is back heavy from using heavy optical or photographic accessories attached to the back, you would want to set your altitude approach to the negative direction. This would ensure that the telescope always approaches an object from the opposite direction as the load pulling on the scope. Similarly, if using the telescope



while polar aligned, you would want to set the azimuth approach to the direction that allows the scope to compensate for different load level on the motors and gears when pointing in different parts of the sky.

To change the goto approach direction, simply choose *Goto Approach* from the *Scope Setup* menu, select either Altitude or Azimuth approach, choose positive or negative and press Enter.

Cordwrap - – Cord wrap safeguards against the telescope slewing more than 360° in azimuth and wrapping accessory or power cables around the base of the telescope. This is useful any time that cables are plugged into the base of the telescope. By default, the cord wrap feature is turned off when the telescope is aligned in altazimuth and turn on when aligned on a wedge.

Utility Features

Scrolling through the MENU options will also provide access to several advanced utility functions such as anti-backlash compensation and slew limits.

Wedge Align – The NexStar has two equatorial alignment modes (one for the northern hemisphere and one for the southern) that will help you to polar align your telescope when using an optional equatorial wedge. See the *Astronomy Basics* section of the manual for more information on the *Wedge Align* feature.

GPS On/Off - Allows you to turn on/off the GPS module when using the optional CN16 GPS accessory. When aligning the telescope, the NexStar still receives information, such as current time, from the optional GPS accessory. If you want to use the hand control database to find the coordinates of a celestial object for a future date you would need to turn the GPS module off in order to manually enter a date and time other than the present.

Light Control – This feature allows you to turn off both the red key pad light and LCD display for daytime use to conserve power and to help preserve your night vision.

Factory Setting – Returns the NexStar hand control to its original factory setting. Parameters such as backlash compensation values, initial date and time, longitude/latitude along with slew and filter limits will be reset. However, stored parameters such as user defined objects will remain saved even when *Factory Settings* is selected. The hand control will ask you to press the "0" key before returning to the factory default setting.

Version - Selecting this option will allow you to see the version number of the hand control software.

Get Axis Position - Displays the relative altitude and azimuth for the current position of the telescope.

Goto Axis Position - Allows you to enter a specific altitude and azimuth position and slew to it.

Hibernate - Hibernate allows the NexStar to be completely powered down and still retain its alignment when turned back on. This not only saves power, but is ideal for those that have their telescopes permanently mounted or leave their telescope in one location for long periods of time. To place your telescope in Hibernate mode:

1. Select Hibernate from the Utility Menu.
2. Move the telescope to a desire position and press ENTER.
3. Power off the telescope. Remember to never move your telescope manually while in Hibernate mode.

Once the telescope is powered on again the display will read Wake Up. After pressing Enter you have the option of scrolling through the time/site information to confirm the current setting. Press ENTER to wake up the telescope.

Helpful Hint

Pressing UNDO at the Wake Up screen allows you to explore many of the features of the hand control without waking the telescope up from hibernate mode. To wake up the telescope after UNDO has been pressed, select Hibernate from the Utility menu and press ENTER. Do not use the direction buttons to move the telescope while in hibernate mode.

Sun Menu

For safety purposes the Sun will not be displayed as a database object unless it is first enabled. To enable the Sun, go to the *Sun Menu* and press ENTER. The Sun will now be displayed in the Planets catalog as can be used as an alignment object when using the Solar System Alignment method. To remove the Sun from displaying on the hand control, once again select the Sun Menu from the Utilities Menu and press ENTER.

Scrolling Menu

This menu allows you to change the rate of speed that the text scrolls across the hand control display.

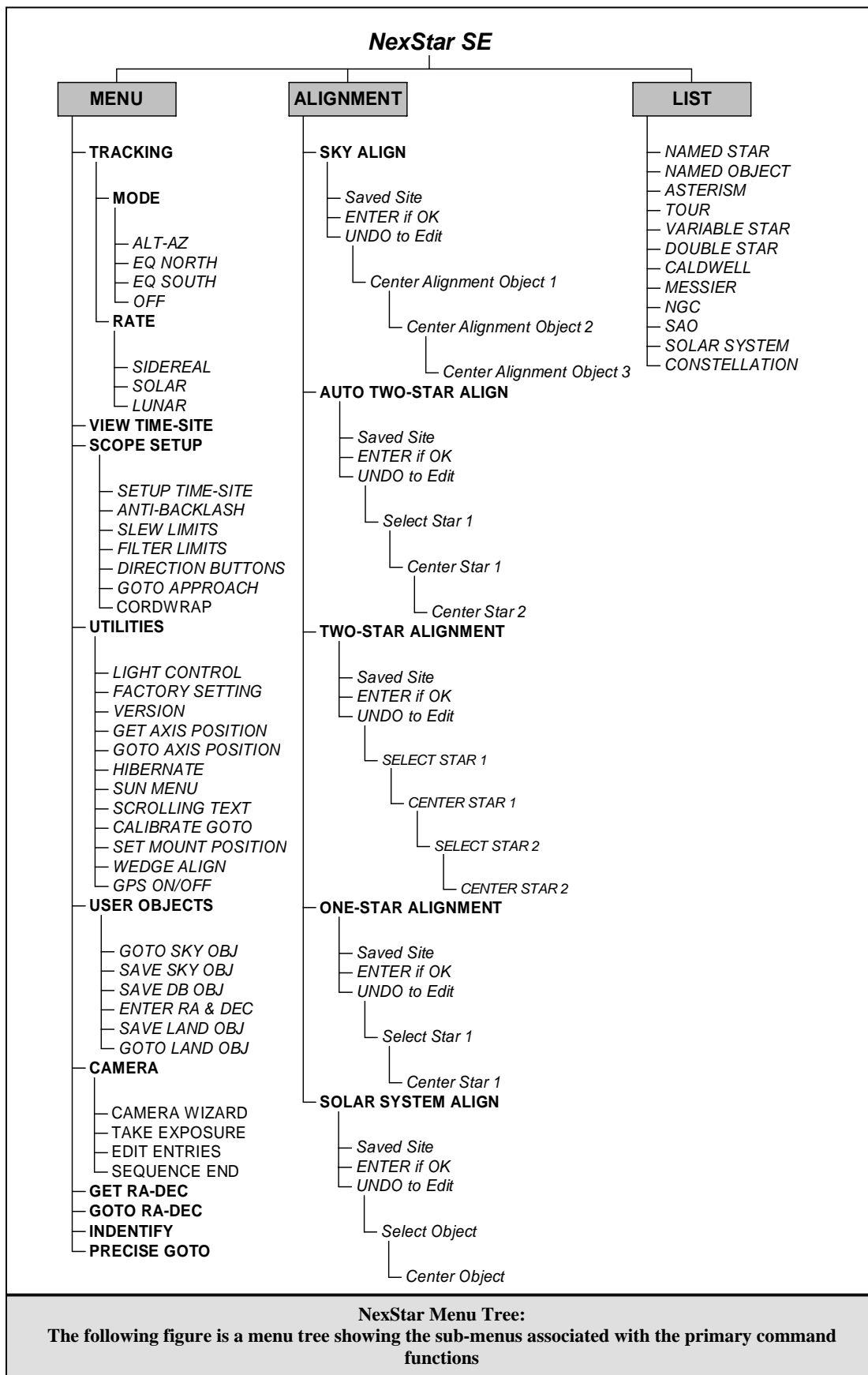
- Press the Up (number 6) button to increase the speed of the text.
- Press the Down (number 9) button to decrease the speed of the text.

Calibrate Goto

Goto Calibration is a useful tool when attaching heavy visual or photographic accessories to the telescope. Goto Calibration calculates the amount of distance and time it takes for the mount to complete its final slow goto when slewing to an object. Changing the balance of the telescope can prolong the time it takes to complete the final slew. Goto Calibration takes into account any slight imbalances and changes the final goto distance to compensate.

Set Mount Position

The Set Mount Position menu can be used to recover an alignment in cases where the telescope or tripod has been manually moved. For instance, you might use this feature if you needed to adjust the level of the tripod by raising or lowering the tripod legs. After the mount has been moved, simply slew to a bright star and center it up in the eyepiece, then select *Set Mount Position* from the Utilities menu. Since the telescope has been moved, the pointing accuracy will be diminished. But now you can slew to a new set of alignment stars and replace any of the original alignment stars with the new stars. This will help you to avoid having to start the alignment process over from the beginning.





Telescope Basics

A telescope is an instrument that collects and focuses light. The nature of the optical design determines how the light is focused. Some telescopes, known as refractors, use lenses. Other telescopes, known as reflectors, use mirrors. The Schmidt-Cassegrain optical system (or Schmidt-Cass for short) uses a combination of mirrors and lenses and is referred to as a compound or catadioptric telescope. This unique design offers large-diameter optics while maintaining very short tube lengths, making them extremely portable. The Schmidt-Cassegrain system consists of a zero power corrector plate, a spherical primary mirror, and a secondary mirror. Once light rays enter the optical system, they travel the length of the optical tube three times.

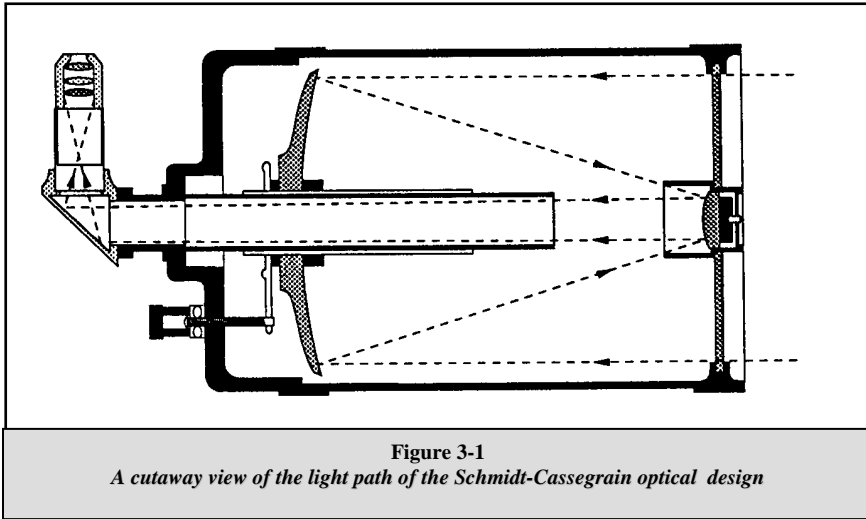


Figure 3-1
A cutaway view of the light path of the Schmidt-Cassegrain optical design

The optics of the NexStar have Starbright XLT coatings - enhanced multi-layer coatings on the primary and secondary mirrors for increased reflectivity and a fully coated corrector for the finest anti-reflection characteristics.

Inside the optical tube, a black tube extends out from the center hole in the primary mirror. This is the primary baffle tube and it prevents stray light from passing through to the eyepiece or camera.

Image Orientation

The image orientation changes depending on how the eyepiece is inserted into the telescope. When using the star diagonal, the image is right-side-up, but reversed from left-to-right (i.e., reverted). If inserting the eyepiece directly into the visual back (i.e., without the star diagonal), the image is upside-down and reversed from left-to-right (i.e., inverted). This is normal for the Schmidt-Cassegrain design.



Actual image orientation as seen with the unaided eye



Reversed from left to right, as viewed with a Star Diagonal



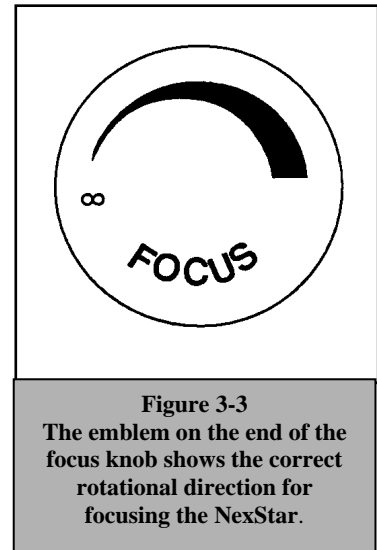
Inverted image, as viewed with the eyepiece directly in telescope

Figure 3-2

Focusing

The NexStar's focusing mechanism controls the primary mirror which is mounted on a ring that slides back and forth on the primary baffle tube. The focusing knob, which moves the primary mirror, is on the rear cell of the telescope just below the star diagonal and eyepiece. Turn the focusing knob until the image is sharp. If the knob will not turn, it has reached the end of its travel on the focusing mechanism. Turn the knob in the opposite direction until the image is sharp. Once an image is in focus, turn the knob clockwise to focus on a closer object and counterclockwise for a more distant object. A single turn of the focusing knob moves the primary mirror only slightly. Therefore, it will take many turns (about 30) to go from close focus (approximately 25 feet) to infinity.

For astronomical viewing, out of focus star images are very diffuse, making them difficult to see. If you turn the focus knob too quickly, you can go right through focus without seeing the image. To avoid this problem, your first astronomical target should be a bright object (like the Moon or a planet) so that the image is visible even when out of focus. Critical focusing is best accomplished when the focusing knob is turned in such a manner that the mirror moves against the pull of gravity. In doing so, any mirror shift is minimized. For astronomical observing, both visually and photographically, this is done by turning the focus knob counterclockwise.



Calculating Magnification

You can change the power of your telescope just by changing the eyepiece (ocular). To determine the magnification of your telescope, simply divide the focal length of the telescope by the focal length of the eyepiece used. In equation format, the formula looks like this:

$$\text{Magnification} = \frac{\text{Focal Length of Telescope (mm)}}{\text{Focal Length of Eyepiece (mm)}}$$

Let's say, for example, you are using the 25mm eyepiece. To determine the magnification you simply divide the focal length of your telescope (the NexStar 5 has a focal length of 1250mm) by the focal length of the eyepiece, 25mm. Dividing 1250 by 25 yields a magnification of 50 power.

Although the power is variable, each instrument under average skies has a limit to the highest useful magnification. The general rule is that 60 power can be used for every inch of aperture. For example, the NexStar 5 is 5" in diameter. Multiplying 5 by 60 gives a maximum useful magnification of 300 power. Although this is the maximum useful magnification, most observing is done in the range of 20 to 35 power for every inch of aperture which is 100 to 175 times for the NexStar telescope.

Determining Field of View

Determining the field of view is important if you want to get an idea of the angular size of the object you are observing. To calculate the actual field of view, divide the apparent field of the eyepiece (supplied by the eyepiece manufacturer) by the magnification. In equation format, the formula looks like this:

$$\text{True Field} = \frac{\text{Apparent Field of Eyepiece}}{\text{Magnification}}$$

As you can see, before determining the field of view, you must calculate the magnification. Using the example in the previous section, we can determine the field of view using the same 25mm eyepiece. The 25mm eyepiece has an apparent field of view of 52°. Divide the 52° by the magnification, which is 50 power. This yields an actual field of view of slightly less than 1°.

To convert degrees to feet at 1,000 yards, which is more useful for terrestrial observing, simply multiply by 52.5. Continuing with our example, multiply the angular field 1.° by 52.5. This produces a linear field width of 52.5 feet at a distance of one

thousand yards. The apparent field of each eyepiece that Celestron manufactures is found in the Celestron Accessory Catalog (#93685).

General Observing Hints

When working with any optical instrument, there are a few things to remember to ensure you get the best possible image.

- Never look through window glass. Glass found in household windows is optically imperfect, and as a result, may vary in thickness from one part of a window to the next. This inconsistency can and will affect the ability to focus your telescope. In most cases you will not be able to achieve a truly sharp image, while in some cases, you may actually see a double image.
- Never look across or over objects that are producing heat waves. This includes asphalt parking lots on hot summer days or building rooftops.
- Hazy skies, fog, and mist can also make it difficult to focus when viewing terrestrially. The amount of detail seen under these conditions is greatly reduced. Also, when photographing under these conditions, the processed film may come out a little grainier than normal with lower contrast and underexposed.
- If you wear corrective lenses (specifically glasses), you may want to remove them when observing with an eyepiece attached to the telescope. When using a camera, however, you should always wear corrective lenses to ensure the sharpest possible focus. If you have astigmatism, corrective lenses must be worn at all times.

Astronomy Basics

Up to this point, this manual covered the assembly and basic operation of your NexStar telescope. However, to understand your telescope more thoroughly, you need to know a little about the night sky. This section deals with observational astronomy in general and includes information on the night sky and polar alignment.

The Celestial Coordinate System

To help find objects in the sky, astronomers use a celestial coordinate system that is similar to our geographical coordinate system here on Earth. The celestial coordinate system has poles, lines of longitude and latitude, and an equator. For the most part, these remain fixed against the background stars.

The celestial equator runs 360 degrees around the Earth and separates the northern celestial hemisphere from the southern. Like the Earth's equator, it bears a reading of zero degrees. On Earth this would be latitude. However, in the sky this is referred to as declination, or DEC for short. Lines of declination are named for their angular distance above and below the celestial equator. The lines are broken down into degrees, minutes of arc, and seconds of arc. Declination readings south of the equator carry a minus sign (-) in front of the coordinate and those north of the celestial equator are either blank (i.e., no designation) or preceded by a plus sign (+).

The celestial equivalent of longitude is called Right Ascension, or R.A. for short. Like the Earth's lines of longitude, they run from pole to pole and are evenly spaced 15 degrees apart. Although the longitude lines are separated by an angular distance, they are also a measure of time. Each line of longitude is one hour apart from the next. Since the Earth rotates once every 24 hours, there are 24 lines total. As a result, the R.A. coordinates are marked off in units of time. It begins with an arbitrary point in the constellation of Pisces designated as 0 hours, 0 minutes, 0 seconds. All other points are designated by how far (i.e., how long) they lag behind this coordinate after it passes overhead moving toward the west.

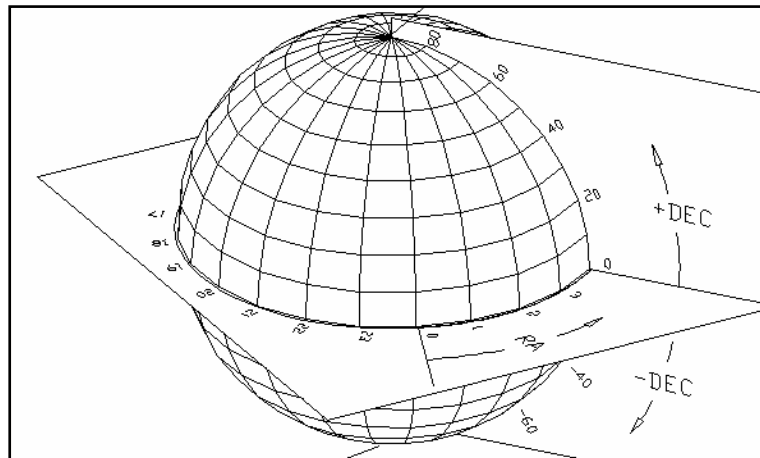
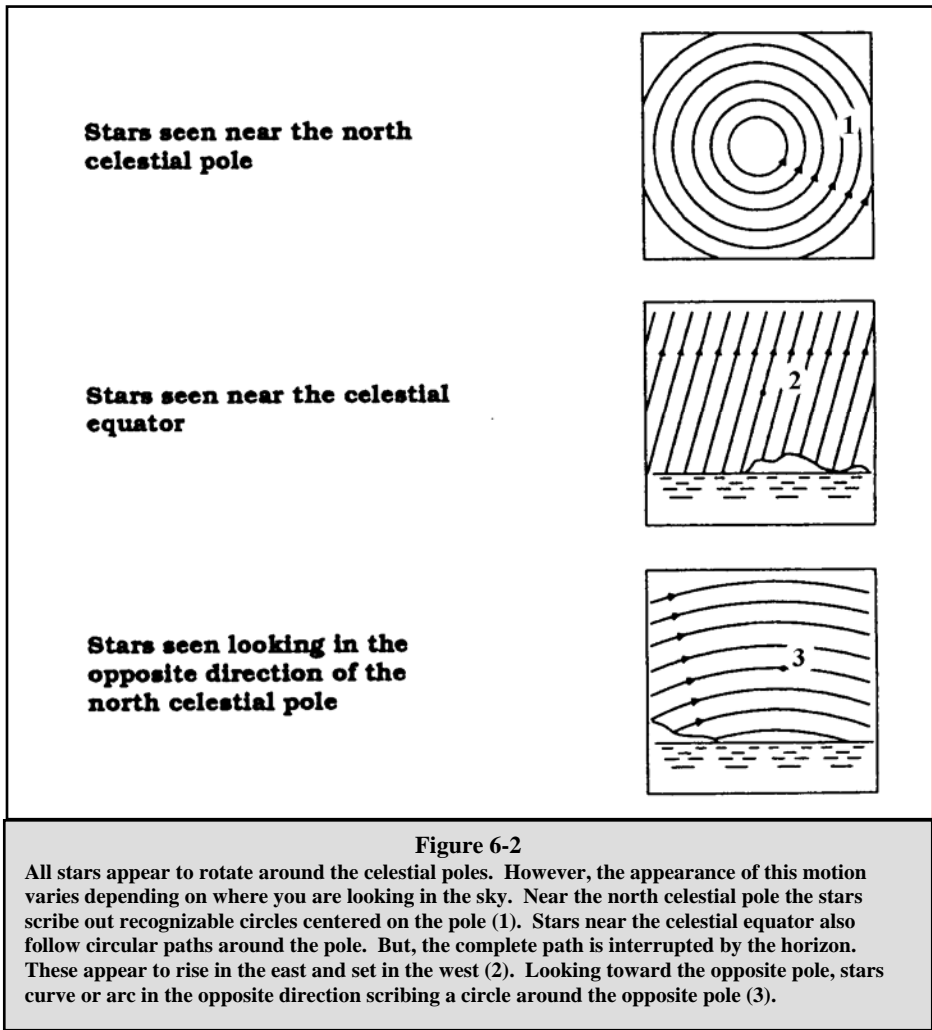


Figure 6-1
The celestial sphere seen from the outside showing R.A. and DEC.

Motion of the Stars

The daily motion of the Sun across the sky is familiar to even the most casual observer. This daily trek is not the Sun moving as early astronomers thought, but the result of the Earth's rotation. The Earth's rotation also causes the stars to do the same, scribing out a large circle as the Earth completes one rotation. The size of the circular path a star follows depends on where it is in the sky. Stars near the celestial equator form the largest circles rising in the east and setting in the west. Moving toward the north celestial pole, the point around which the stars in the northern hemisphere appear to rotate, these circles become smaller. Stars in the mid-celestial latitudes rise in the northeast and set in the northwest. Stars at high celestial latitudes are always above the horizon, and are said to be circumpolar because they never rise and never set. You will never see the stars complete one circle because the sunlight during the day washes out the starlight. However, part of this circular motion of stars in this region of the sky can be seen by setting up a camera on a tripod and opening the shutter for a couple hours. The processed film will reveal semicircles that revolve around the pole. (This description of stellar motions also applies to the southern hemisphere except all stars south of the celestial equator move around the south celestial pole.)



Polar Alignment

Even though the NexStar can precisely track a celestial object while in the Alt-Az position, it is still necessary to align the polar axis of the telescope (the fork arm) to the Earth's axis on rotation in order to attempt long exposure astro photography. This is accomplished by using the built-in wedge attached to the steel tripod. This allows the telescope's tracking motors to rotate the telescope around the celestial pole, the same way as the stars. Without the equatorial wedge, you would notice the stars in the eyepiece would slowly rotate around the center of the field of view. Although this gradual rotation would go unnoticed when viewing with an eyepiece, it would be very noticeable on film.

Polar alignment is the process by which the telescope's axis of rotation (called the polar axis) is aligned (made parallel) with the Earth's axis of rotation. Once aligned, a telescope with a clock drive will track the stars as they move across the sky. The result is that objects observed through the telescope appear stationary (i.e., they will not drift out of the field of view). If not using the clock drive, all objects in the sky (day or night) will slowly drift out of the field. This motion is caused by the Earth's rotation.

The polar axis is the axis around which the telescope rotates when moved in right ascension. This axis points the same direction even when the telescope moves in right ascension and declination.

Definition

Aligning the NexStar on a Wedge

The simplest way to get a basic polar alignment with your NexStar is to angle the tilt plate on top of the tripod so that the fork arm (or polar axis) is pointed towards the star Polaris. For help in locating Polaris, refer to the Finding the North Celestial Pole section below. To polar align your NexStar:

1. Position the telescope tripod so that tilt plate hinge is facing towards north.
2. Gently rotate the telescope tube so that it is pointing straight up in the sky.
3. Loosen the Latitude Adjustment Lock on the tripod.
4. Slowly tilt the telescope towards the north until the scale on the Latitude Adjustment Rod is equal to the latitude of your observing location. For example, if using your telescope from Los Angeles, you would set the scale to 34 degrees.

Note: To view your current latitude, select View Time-Site menu feature after completing a successful alignment.

5. Once in position, securely tighten the latitude adjustment lock to hold the telescope in place.

You are now ready to complete an *EQ North (South) Alignment* to begin finding celestial objects and a *Wedge Align* for a more accurate polar alignment.

Wedge Align

The NexStar has two equatorial wedge alignment modes (one for the northern hemisphere and one for the southern) that will help you polar align your telescope when using an equatorial wedge. After performing either an EQ AutoAlign or Two-Star Alignment, Wedge Align will slew the telescope to where Polaris should be. By adjusting the tripod's tilt plate to center Polaris in the eyepiece, the fork arm (polar axis) will then be pointing towards the actual North Celestial Pole. Once Wedge Align is complete, you must re-align your telescope using any of the EQ alignment methods. Follow these steps to Wedge Align your telescope in the Northern Hemisphere:

1. With the NexStar set up as described in the section above and roughly positioned towards Polaris, align the telescope using either the EQ AutoAlign or Two-Star Alignment method.
2. Select *Wedge Align* from the Utilities menu and press Enter.

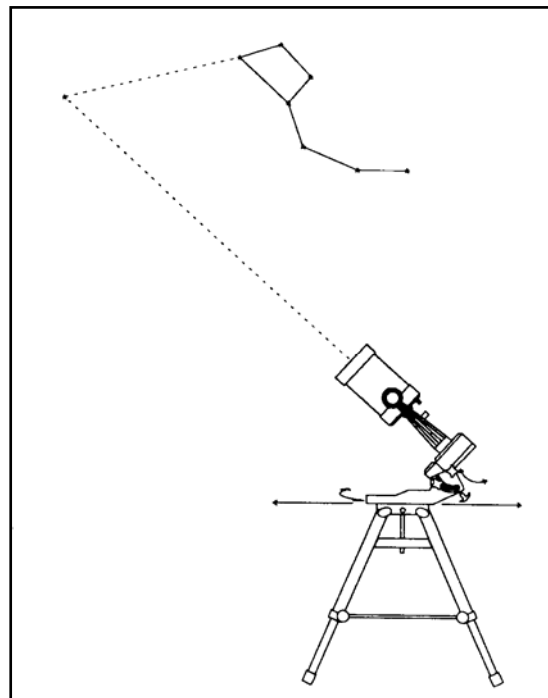


Figure 6-3

This is how the telescope is to be set up for polar alignment. The tube should be parallel to the fork arm which should be pointed to Polaris.

Based on your current alignment, NexStar will slew to where it thinks Polaris should be. Use the tripod's tilt plate adjustment to place Polaris in the center of the eyepiece. Do not use the hand control's direction buttons to position Polaris. Once Polaris is centered in the eyepiece, press ENTER; the polar axis should then be pointed towards the North Celestial Pole.

Photography with the NexStar

After looking at the night sky for a while you may want to try photographing it. In addition to the specific accessories required for celestial photography, there is the need for a camera - but not just any camera. The camera does not have to have many of the features offered on today's state-of-the-art equipment. For example, you don't need auto focus capability or mirror lock up. Here are the mandatory features a camera needs for celestial photography. First, a "B" setting which allows for time exposures. This excludes point and shoot cameras and limits the selection to SLR cameras, the most common type of 35mm camera on the market today.

Second, the "B" or manual setting should NOT run off the battery. Many new electronic cameras use the battery to keep the shutter open during time exposures. Once the batteries are drained, usually after a few minutes, the shutter closes, whether you were finished with the exposure or not. Look for a camera that has a manual shutter when operating in the time exposure mode. Olympus, Nikon, Minolta, Pentax, Canon and others have made such camera bodies.

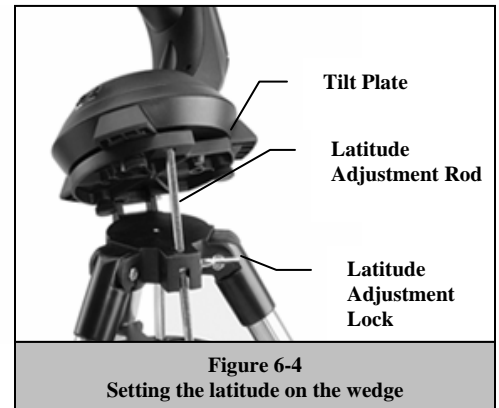


Figure 6-4
Setting the latitude on the wedge

The camera must have interchangeable lenses so you can attach it to the telescope and so you can use a variety of lenses for piggyback photography. If you can't find a new camera, you can purchase a used camera body that is not 100-percent functional. The light meter, for example, does not have to be operational since you will be determining the exposure length manually.

You also need a cable release with a locking function to hold the shutter open while you do other things. Mechanical and air release models are available.

Attaching a Camera to the NexStar

Attaching a camera to the NexStar requires the use of the optional T-adapter (#93633-A) and a T-ring specific to the brand of camera being used. See *Optional Accessories* section in this manual. To attach the photographic accessories:

1. Remove the visual back from the rear cell .
2. Thread the T-adapter securely onto the rear cell of the telescope.
3. Thread the T-ring onto the exposed end of the T-adapter.
4. Remove any lens from the body of your camera.
5. Attach the camera body to the T-ring by aligning the dot on the side of the T-ring with the dot on the camera body and twisting.

Finding the North Celestial Pole

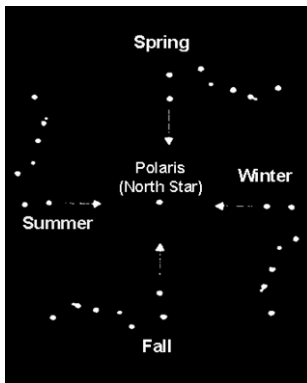


Figure 6-5
The position of the Big Dipper changes throughout the year and the night.

In each hemisphere, there is a point in the sky around which all the other stars appear to rotate. These points are called the celestial poles and are named for the hemisphere in which they reside. For example, in the northern hemisphere all stars move around the north celestial pole. When the telescope's polar axis is pointed at the celestial pole, it is parallel to the Earth's rotational axis.

Many methods of polar alignment require that you know how to find the celestial pole by identifying stars in the area. For those in the northern hemisphere, finding the celestial pole is not too difficult. Fortunately, we have a naked eye star less than a degree away. This star, Polaris, is the end star in the handle of the Little Dipper. Since the Little Dipper (technically called Ursa Minor) is not one of the brightest constellations in the sky, it may be difficult to locate from urban areas. If this is the case, use the two end stars in the bowl of the Big Dipper (the pointer stars). Draw an imaginary line through them toward the Little Dipper. They point to Polaris (see Figure 6-5). The position of the Big Dipper changes during the year and throughout the course of the night (see Figure 6-5). When the Big Dipper is low in the sky (i.e., near the horizon), it may be difficult to locate. During these times, look for Cassiopeia (see Figure 6-6). Observers in the southern hemisphere are not as fortunate as those in the northern hemisphere. The stars around the south celestial pole are not nearly as bright as those around the north. The closest star that is relatively bright is Sigma Octantis. This star is just within naked eye limit

(magnitude 5.5) and lies about 59 arc minutes from the pole.

Definition

The north celestial pole is the point in the northern hemisphere around which all stars appear to rotate. The counterpart in the southern hemisphere is referred to as the south celestial pole.

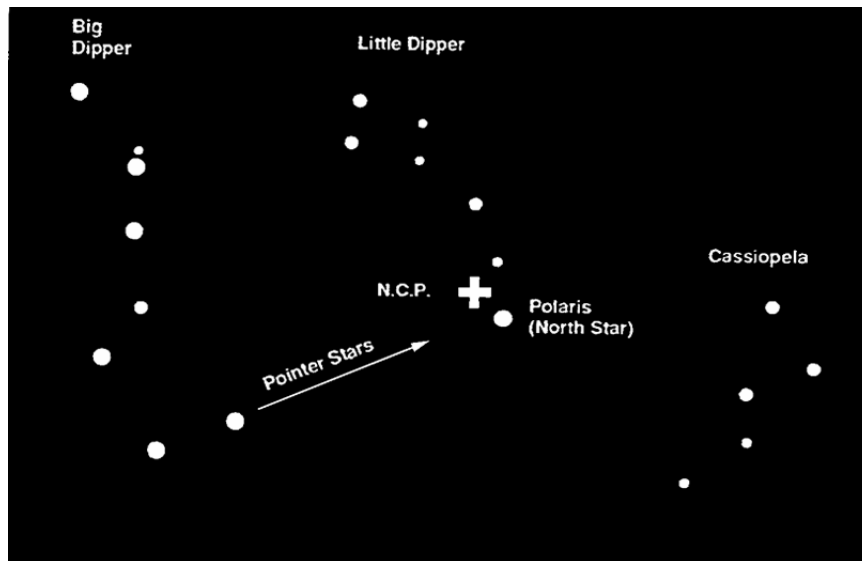


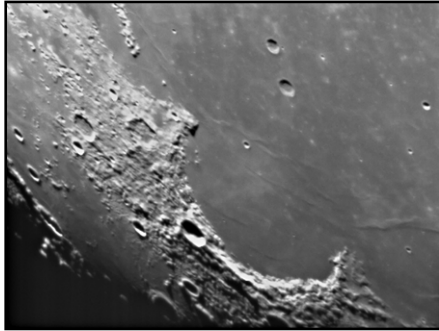
Figure 6-6
The two stars in the front of the bowl of the Big Dipper point to Polaris which is less than one degree from the true (north) celestial pole. Cassiopeia, the "W" shaped constellation, is on the opposite side of the pole from the Big Dipper. The North Celestial Pole (N.C.P.) is marked by the "+" sign.

Celestial Observing

With your telescope set up, you are ready to use it for observing. This section covers visual observing hints for both solar system and deep sky objects as well as general observing conditions which will affect your ability to observe.

Observing the Moon

Often, it is tempting to look at the Moon when it is full. At this time, the face we see is fully illuminated and its light can be overpowering. In addition, little or no contrast can be seen during this phase.



One of the best times to observe the Moon is during its partial phases (around the time of first or third quarter). Long shadows reveal a great amount of detail on the lunar surface. At low power you will be able to see most of the lunar disk at one time. Change to higher power (magnification) to focus in on a smaller area. Choose the *lunar* tracking rate from the NexStar's MENU tracking rate options to keep the moon centered in the eyepiece even at high magnifications.

Lunar Observing Hints

- To increase contrast and bring out detail on the lunar surface, use filters. A

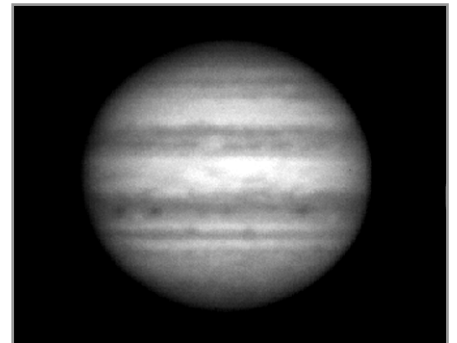
yellow filter works well at improving contrast while a neutral density or polarizing filter will reduce overall surface brightness and glare.

Observing the Planets

Other fascinating targets include the five naked eye planets. You can see Venus go through its lunar-like phases. Mars can reveal a host of surface detail and one, if not both, of its polar caps. You will be able to see the cloud belts of Jupiter and the great Red Spot (if it is visible at the time you are observing). In addition, you will also be able to see the moons of Jupiter as they orbit the giant planet. Saturn, with its beautiful rings, is easily visible at moderate power.

Planetary Observing Hints

- Remember that atmospheric conditions are usually the limiting factor on how much planetary detail will be visible. So, avoid observing the planets when they are low on the horizon or when they are directly over a source of radiating heat, such as a rooftop or chimney. See the "*Seeing Conditions*" section later in this section.
- To increase contrast and bring out detail on the planetary surface, try using Celestron eyepiece filters.



Observing the Sun

Although overlooked by many amateur astronomers, solar observation is both rewarding and fun. However, because the Sun is so bright, special precautions must be taken when observing our star so as not to damage your eyes or your telescope.

Never project an image of the Sun through the telescope. Because of the folded optical design, tremendous heat build-up will result inside the optical tube. This can damage the telescope and/or any accessories attached to the telescope.

For safe solar viewing, use a Celestron solar filter (see *Optional Accessories* section of manual) that reduces the intensity of the Sun's light, making it safe to view. With a filter you can see sunspots as they move across the solar disk and faculae, which are bright patches seen near the Sun's edge.

Solar Observing Hints

- The best time to observe the Sun is in the early morning or late afternoon when the air is cooler.
- To center the Sun without looking into the eyepiece, watch the shadow of the telescope tube until it forms a circular shadow.
- To ensure accurate tracking, be sure to select solar tracking rate.

Observing Deep Sky Objects

Deep-sky objects are simply those objects outside the boundaries of our solar system. They include star clusters, planetary nebulae, diffuse nebulae, double stars and other galaxies outside our own Milky Way. Most deep-sky objects have a large angular size. Therefore, low-to-moderate power is all you need to see them. Visually, they are too faint to reveal any of the color seen in long exposure photographs. Instead, they appear black and white. And, because of their low surface brightness, they should be observed from a dark-sky location. Light pollution around large urban areas washes out most nebulae making them difficult, if not impossible, to observe. Light Pollution Reduction filters help reduce the background sky brightness, thus increasing contrast.

Seeing Conditions

Viewing conditions affect what you can see through your telescope during an observing session. Conditions include transparency, sky illumination, and seeing. Understanding viewing conditions and the effect they have on observing will help you get the most out of your telescope.

Transparency

Transparency is the clarity of the atmosphere which is affected by clouds, moisture, and other airborne particles. Thick cumulus clouds are completely opaque while cirrus can be thin, allowing the light from the brightest stars through. Hazy skies absorb more light than clear skies making fainter objects harder to see and reducing contrast on brighter objects. Aerosols ejected into the upper atmosphere from volcanic eruptions also affect transparency. Ideal conditions are when the night sky is inky black.

Sky Illumination

General sky brightening caused by the Moon, aurorae, natural airglow, and light pollution greatly affect transparency. While not a problem for the brighter stars and planets, bright skies reduce the contrast of extended nebulae making them difficult, if not impossible, to see. To maximize your observing, limit deep sky viewing to moonless nights far from the light polluted skies found around major urban areas. LPR filters enhance deep sky viewing from light polluted areas by blocking unwanted light while transmitting light from certain deep sky objects. You can, on the other hand, observe planets and stars from light polluted areas or when the Moon is out.

Seeing

Seeing conditions refers to the stability of the atmosphere and directly affects the amount of fine detail seen in extended objects. The air in our atmosphere acts as a lens which bends and distorts incoming light rays. The amount of bending depends on air density. Varying temperature layers have different densities and, therefore, bend light differently. Light rays from the same object arrive slightly displaced creating an imperfect or smeared image. These atmospheric disturbances vary from time-to-time and place-to-place. The size of the air parcels compared to your aperture determines the "seeing" quality. Under good seeing conditions, fine detail is visible on the brighter planets like Jupiter and Mars, and stars are pinpoint images. Under poor seeing conditions, images are blurred and stars appear as blobs.

The conditions described here apply to both visual and photographic observations.



Figure 7-1

Seeing conditions directly affect image quality. These drawings represent a point source (i.e., star) under bad seeing conditions (left) to excellent conditions (right). Most often, seeing conditions produce images that lie some where between these two extremes.



Telescope Maintenance

While your NexStar telescope requires little maintenance, there are a few things to remember that will ensure your telescope performs at its best.

Care and Cleaning of the Optics

Occasionally, dust and/or moisture may build up on the corrector plate of your telescope. Special care should be taken when cleaning any instrument so as not to damage the optics.

If dust has built up on the corrector plate, remove it with a brush (made of camel's hair) or a can of pressurized air. Spray at an angle to the lens for approximately two to four seconds. Then, use an optical cleaning solution and white tissue paper to remove any remaining debris. Apply the solution to the tissue and then apply the tissue paper to the lens. Low pressure strokes should go from the center of the corrector to the outer portion. **Do NOT rub in circles!**

You can use a commercially made lens cleaner or mix your own. A good cleaning solution is isopropyl alcohol mixed with distilled water. The solution should be 60% isopropyl alcohol and 40% distilled water. Or, liquid dish soap diluted with water (a couple of drops per one quart of water) can be used.

Occasionally, you may experience dew build-up on the corrector plate of your telescope during an observing session. If you want to continue observing, the dew must be removed, either with a hair dryer (on low setting) or by pointing the telescope at the ground until the dew has evaporated.

If moisture condenses on the inside of the corrector, remove the accessories from the rear cell of the telescope. Place the telescope in a dust-free environment and point it down. This will remove the moisture from the telescope tube.

To minimize the need to clean your telescope, replace all lens covers once you have finished using it. Since the rear cell is NOT sealed, the cover should be placed over the opening when not in use. This will prevent contaminants from entering the optical tube.

Internal adjustments and cleaning should be done only by the Celestron repair department. If your telescope is in need of internal cleaning, please call the factory for a return authorization number and price quote.



Figure 8-1
The three collimation screws are located on the secondary mirror holder in the center of the corrector plate.

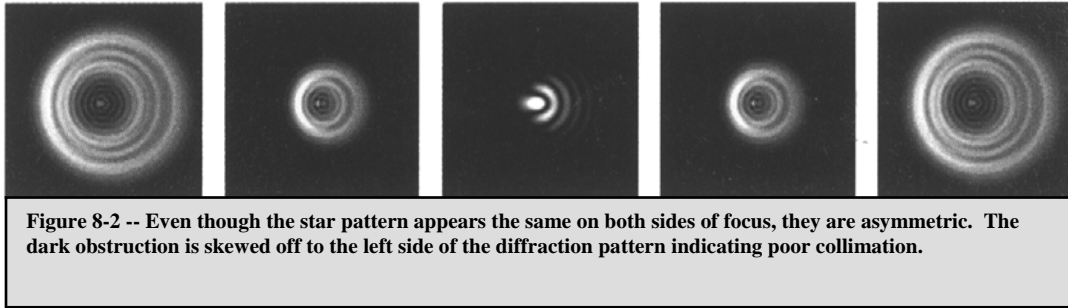
Collimation

The optical performance of your NexStar telescope is directly related to its collimation, that is the alignment of its optical system. Your NexStar was collimated at the factory after it was completely assembled. However, if the telescope is dropped or jarred severely during transport, it may have to be collimated. The only optical element that may need to be adjusted, or is possible, is the tilt of the secondary mirror.

To check the collimation of your telescope you will need a light source. A bright star near the zenith is ideal since there is a minimal amount of atmospheric distortion. Make sure that tracking is on so that you won't have to manually track the star. Or, if you do not want to power up your telescope, you can use Polaris. Its position relative to the celestial pole means that it moves very little thus eliminating the need to manually track it.

Before you begin the collimation process, be sure that your telescope is in thermal equilibrium with the surroundings. Allow 45 minutes for the telescope to reach equilibrium if you move it between large temperature extremes.

To verify collimation, view a star near the zenith. Use a medium to high power ocular — 12mm to 6mm focal length. It is important to center a star in the center of the field to judge collimation. Slowly cross in and out of focus and judge the symmetry of the star. If you see a systematic skewing of the star to one side, then recollimation is needed.



To accomplish this, you need to tighten the secondary collimation screw(s) that move the star across the field toward the direction of the skewed light. These screws are located in the secondary mirror holder (see figure 8-1). To access the collimation screws you will need to remove the cap that covers the secondary mirror holder. To remove the cap, gently slide a flat head screwdriver underneath one end of the cap and twist the screwdriver. Slide the screwdriver underneath the other side of the cap and twist until the cap comes off. Make only small 1/6 to 1/8 adjustments to the collimation screws and re-center the star by moving the scope before making any improvements or before making further adjustments.

To make collimation a simple procedure, follow these easy steps:

1. While looking through a medium to high power eyepiece, de-focus a bright star until a ring pattern with a dark shadow appears (see figure 8-2). Center the de-focused star and notice in which direction the central shadow is skewed.
2. Place your finger along the edge of the front cell of the telescope (be careful not to touch the corrector plate), pointing towards the collimation screws. The shadow of your finger should be visible when looking into the eyepiece. Rotate your finger around the tube edge until its shadow is seen closest to the narrowest portion of the rings (i.e. the same direction in which the central shadow is skewed).
3. Locate the collimation screw closest to where your finger is positioned. This will be the collimation screw you will need to adjust first. (If your finger is positioned exactly between two of the collimation screws, then you will need to adjust the screw opposite where your finger is located).
4. Use the hand control buttons to move the de-focused star image to the edge of the field of view, in the same direction that the central obstruction of the star image is skewed.

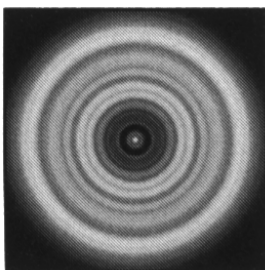


Figure 7-3
A collimated telescope should appear symmetrical with the central obstruction centered in the star's diffraction pattern.

5. While looking through the eyepiece, use an Allen wrench to turn the collimation screw you located in step 2 and 3. Usually a tenth of a turn is enough to notice a change in collimation. If the star image moves out of the field of view in the direction that the central shadow is skewed, than you are turning the collimation screw the wrong way. Turn the screw in the opposite direction, so that the star image is moving towards the center of the field of view.
6. If while turning you notice that the screws get very loose, then simply tighten the other two screws by the same amount. Conversely, if the collimation screw gets too tight, then loosen the other two screws by the same amount.
7. Once the star image is in the center of the field of view, check to see if the rings are concentric. If the central obstruction is still skewed in the same direction, then continue turning the screw(s) in the same direction. If you find that the ring pattern is skewed in a different direction, than simply repeat steps 2 through 6 as described above for the new direction.

Perfect collimation will yield a star image very symmetrical just inside and outside of focus. In addition, perfect collimation delivers the optimal optical performance specifications that your telescope is built to achieve.

If seeing (i.e., air steadiness) is turbulent, collimation is difficult to judge. Wait until a better night if it is turbulent or aim to a steadier part of the sky. A steadier part of the sky is judged by steady versus twinkling stars.

CELESTRON Optional Accessories

You will find that additional accessories enhance your viewing pleasure and expand the usefulness of your telescope. For ease of reference, all the accessories are listed in alphabetical order.

Adapter, Car Battery (#18769) -



Celestron offers the Car Battery Adapter that allows you to run the NexStar drive off an external power source. The adapter attaches to the cigarette lighter of your car, truck, van, or motorcycle.

Barlow Lens - A Barlow lens is a negative lens that increases the focal length of a telescope. Used with any eyepiece, it doubles the magnification of that eyepiece. Celestron offers two Barlow lens in the 1-1/4" size for the NexStar. The 2x Ultima Barlow (#93506) is a compact triplet design that is fully multicoated for maximum light transmission and parfocal when used with the Ultima eyepieces. Model #93507 is a compact achromatic Barlow lens that is under three inches long and weighs only 4 oz. It works very well with all Celestron eyepieces.

Diagonal, 45 degree, erect image (#94112-A) – This design allows you to look into the telescope at a 45° angle, at images that are oriented properly, meaning the image is upright and correct from left to right.

Eyepieces - Like telescopes, eyepieces come in a variety of designs. Each design has its own advantages. For the 1-1/4" barrel diameter there are three different eyepiece designs available:

- **OMNI Plössl** - Plössl eyepieces have a 4-element lens designed for low-to-high power observing. The Plössls offer razor sharp views across the entire field, even at the edges! In the 1-1/4" barrel diameter, they are available in the following focal lengths: 4mm, 6mm, 9mm, 12.5mm, 15mm, 20mm, 25mm, 32mm and 40mm.
- **X-Cel** - This 6 element design allows each X-Cel Eyepiece to have 20mm of eye relief, 55° field of view and more than 25mm of lens aperture (even with the 2.3mm). In order to maintain razor sharp, color corrected images across its 50° field of view, extra-low dispersion glass is used for the most highly curved optical elements. The excellent refractive properties of these high grade optical elements, make the X-Cel line especially well suited for high magnification planetary viewing where sharp, color-free views are most appreciated. X-Cel eyepieces come in the following focal lengths: 2.3mm, 5mm, 8mm, 10mm, 12.5mm, 18mm, 21mm, 25mm.
- **Ultima** - Ultima is not really a design, but a trade name for our 5-element, wide field eyepieces. In the 1-1/4" barrel diameter, they are available in the following focal lengths: 5mm, 7.5mm, 10mm, 12.5mm, 18mm, 30mm, 35mm, and 42mm. These eyepieces are all parfocal.



Exotherm, Hand Warmer- (#93504) - Perfect for chilly evenings of star gazing, the Exotherm Hand Warmer is convenient, reusable and provides up to one hour of instant heat.

Filters, Eyepiece - To enhance your visual observations of solar system objects, Celestron offers a wide range of colored eyepiece filter sets that thread into the 1-1/4" oculars. Available sets are:

- #94119-10 – Orange, Light Blue, ND13%T, Polarizing (#s 21, 80A, 15, Polarizing)
- #94119-20 - Deep Yellow, Red, Light Green, ND25% T (#s 12, 25, 56, 96ND-25)
- #94119-30 - Light Red, Blue, Green, ND50% T (#s 23A, 38A, 58, 96ND-50)
- #94119-40 - Yellow, Deep Yellow, Violet, Pale Blue (#s 8, 96ND-13, 47, 82A)

Night Vision Flashlight - (#93588) - Celestron's premium model for astronomy, using two red LED's to preserve night vision better than red filters or other devices. Brightness is adjustable. Operates on a single 9 volt battery (included).

Light Pollution Reduction (LPR) Filter - These filters are designed to enhance your views of deep sky astronomical objects when viewed from urban areas. LPR Filters selectively reduce the transmission of certain wavelengths of light, specifically those produced by artificial

lights. This includes mercury and high and low pressure sodium vapor lights. In addition, they also block unwanted natural light (sky glow) caused by neutral oxygen emission in our atmosphere. Celestron offers a model for 1-1/4" eyepieces (#94126A).

Moon Filter (#94119-A) - Celestron's Moon Filter is an economical eyepiece filter for reducing the brightness of the moon and improving contrast, so greater detail can be observed on the lunar surface. The clear aperture is 21mm and the transmission is about 18%.

Polarizing Filter Set (#93608) - The polarizing filter set limits the transmission of light to a specific plane, thus increasing contrast between various objects. This is used primarily for terrestrial, lunar and planetary observing.

PowerTank (#18774) - 12v 7Amp hour rechargeable power supply. Comes with two 12v output cigarette outlets, built-in red flash light, Halogen emergency spotlight, AC adapter and cigarette lighter adapter included.



Sky Maps (#93722) - Celestron Sky Maps are the ideal teaching guide for learning the night sky. You wouldn't set off on a road trip without a road map, and you don't need to try to navigate the night sky without a map either. Even if you already know your way around the major constellations, these maps can help you locate all kinds of fascinating objects.

Solar Filter (#94139) - The AstroSolar® filter is a safe and durable filter that covers the front opening of the telescope. View sunspots and other solar features using this double-sided metal coated filter for uniform density and good color balance across the entire field. The Sun offers constant changes and will keep your observing interesting and fun.

T-Adapter (#93633-A) - T-Adapter (with additional T-Ring) allows you to attach your SLR camera to the rear cell of your Celestron NexStar. This turns your NexStar into a 1250mm telephoto lens perfect for terrestrial photography and short exposure lunar and filtered solar photography.

T-Ring - The T-Ring couples your 35mm SLR camera body to the T-Adapter. This accessory is mandatory if you want to do photography through the telescope. Each camera make (i.e., Minolta, Nikon, Pentax, etc.) has its own unique mount and therefore, its own T-Ring. Celestron has 8 different models for 35mm cameras.

Vibration Suppression Pads (#93503) - These pads rest between the ground and tripod feet of your telescope. They reduce the amplitude and vibration time of your telescope when shaken by the wind or an accidental bump. This accessory is a must for long exposure prime focus photography.

A full description of all Celestron accessories can be found in the Celestron Accessory Catalog (#93685).

Appendix A - Technical Specifications

Optical Specification

Design	Schmidt Cassegrain Optical Design
Aperture	5 inches (125mm)
Focal Length	50 inches (1250mm)
F/ratio of the Optical System	10
Primary Mirror: Diameter Coatings	125mm Starbright XLT®
Secondary Mirror Spot Size Secondary Obstruction	1.75" 35% by diameter; 12% by area
Corrector Plate: Material Coatings	Optical Quality Crown Glass Starbright XLT®
Highest Useful Magnification	300x
Lowest Useful Magnification (7mm exit pupil)	18x
Resolution: Rayleigh Criterion Dawes Limit	1.11 arc seconds .91 arc seconds
Light Gathering Power	329x unaided eye
Near Focus standard eyepiece or camera	~ 20 feet
Field of View: Standard Eyepiece : 35mm Camera	1° 1.6° x 1.1°
Linear Field of View (at 1000 yds)	52.5 feet
Magnification: Standard Eyepiece	50x
Optical Tube Length	11 inches
Weight of Telescope	17.6 Lbs.
Weight of Tripod	10 lbs

Electronic Specifications

Input Voltage	12 V DC Nominal
Batteries Required	8 AA Alkaline
Power Supply Requirements	12 VDC-750 mA (Tip positive)

Mechanical Specifications

Motor: Type Resolution	DC Servo motors with encoders, both axes .26 arc sec
Slew speeds	Nine slew speeds: 4°/sec, 2°/sec, 1°/sec, .5/sec, 32x, 16x, 8x, 4x, 2x
Hand Control	Double line, 16 character Liquid Crystal Display 19 fiber optic backlit LED buttons
Fork Arm	Cast aluminum, with integrated hand control receptacle

Software Specifications

Software Precision	16 bit, 20 arc sec. calculations
Ports	RS-232 communication port on hand control
Tracking Rates	Sidereal, Solar, Lunar and King
Tracking Modes	Alt-Az, EQ North & EQ South
Alignment Procedures	SkyAlign, Auto Two-Star, Two-Star, One-Star, Solar System Align
Database	200 user defined programmable object. Enhanced information on over 200 objects
Total Object Database	38,181

Appendix B - Glossary of Terms

A-

Absolute magnitude	The apparent magnitude that a star would have if it were observed from a standard distance of 10 parsecs, or 32.6 light-years. The absolute magnitude of the Sun is 4.8. at a distance of 10 parsecs, it would just be visible on Earth on a clear moonless night away from surface light.
Airy disk	The apparent size of a star's disk produced even by a perfect optical system. Since the star can never be focused perfectly, 84 per cent of the light will concentrate into a single disk, and 16 per cent into a system of surrounding rings.
Alt-Azimuth Mounting	A telescope mounting using two independent rotation axis allowing movement of the instrument in Altitude and Azimuth.
Altitude	In astronomy, the altitude of a celestial object is its Angular Distance above or below the celestial horizon.
Aperture	the diameter of a telescope's primary lens or mirror; the larger the aperture, the greater the telescope's light-gathering power.
Apparent Magnitude	A measure of the relative brightness of a star or other celestial object as perceived by an observer on Earth.
Arcminute	A unit of angular size equal to 1/60 of a degree.
Arcsecond	A unit of angular size equal to 1/3,600 of a degree (or 1/60 of an arcminute).
Asterism	A small unofficial grouping of stars in the night sky.
Asteroid	A small, rocky body that orbits a star.
Astrology	The pseudoscientific belief that the positions of stars and planets exert an influence on human affairs; astrology has nothing in common with astronomy
Astronomical unit (AU)	The distance between the Earth and the Sun. It is equal to 149,597,900 km., usually rounded off to 150,000,000 km.
Aurora	The emission of light when charged particles from the solar wind slams into and excites atoms and molecules in a planet's upper atmosphere.
Azimuth	The angular distance of an object eastwards along the horizon, measured from due north, between the astronomical meridian (the vertical line passing through the center of the sky and the north and south points on the horizon) and the vertical line containing the celestial body whose position is to be measured. .

B -

Binary Stars	Binary (Double) stars are pairs of stars that, because of their mutual gravitational attraction, orbit around a common Center of Mass. If a group of three or more stars revolve around one another, it is called a multiple system. It is believed that approximately 50 percent of all stars belong to binary or multiple systems. Systems with individual components that can be seen separately by a telescope are called visual binaries or visual multiples. The nearest "star" to our solar system, Alpha Centauri, is actually our nearest example of a multiple star system, it consists of three stars, two very similar to our Sun and one dim, small, red star orbiting around one another.
--------------	---------------------------------------------------------------------------------------------------------------------------------------------------------------------------------------------------------------------------------------------------------------------------------------------------------------------------------------------------------------------------------------------------------------------------------------------------------------------------------------------------------------------------------------------------------------------------------------------------------------------------------------------------------------------------------------------------------

C -

Celestial Equator	The projection of the Earth's equator on to the celestial sphere. It divides the sky into two equal hemispheres.
Celestial pole	The imaginary projection of Earth's rotational axis north or south pole onto the celestial sphere.
Celestial Sphere	An imaginary sphere surrounding the Earth, concentric with the Earth's center.
Collimation	The act of putting a telescope's optics into perfect alignment.

D -

Declination (DEC)	The angular distance of a celestial body north or south of the celestial equator. It may be said to correspond to latitude on the surface of the Earth.
-------------------	---------------------------------------------------------------------------------------------------------------------------------------------------------

E -

Ecliptic	The projection of the Earth's orbit on to the celestial sphere. It may also be defined as "the apparent yearly path of the Sun against the stars".
Equatorial mount	A telescope mounting in which the instrument is set upon an axis which is parallel to the axis of the Earth; the angle of the axis must be equal to the observer's latitude.

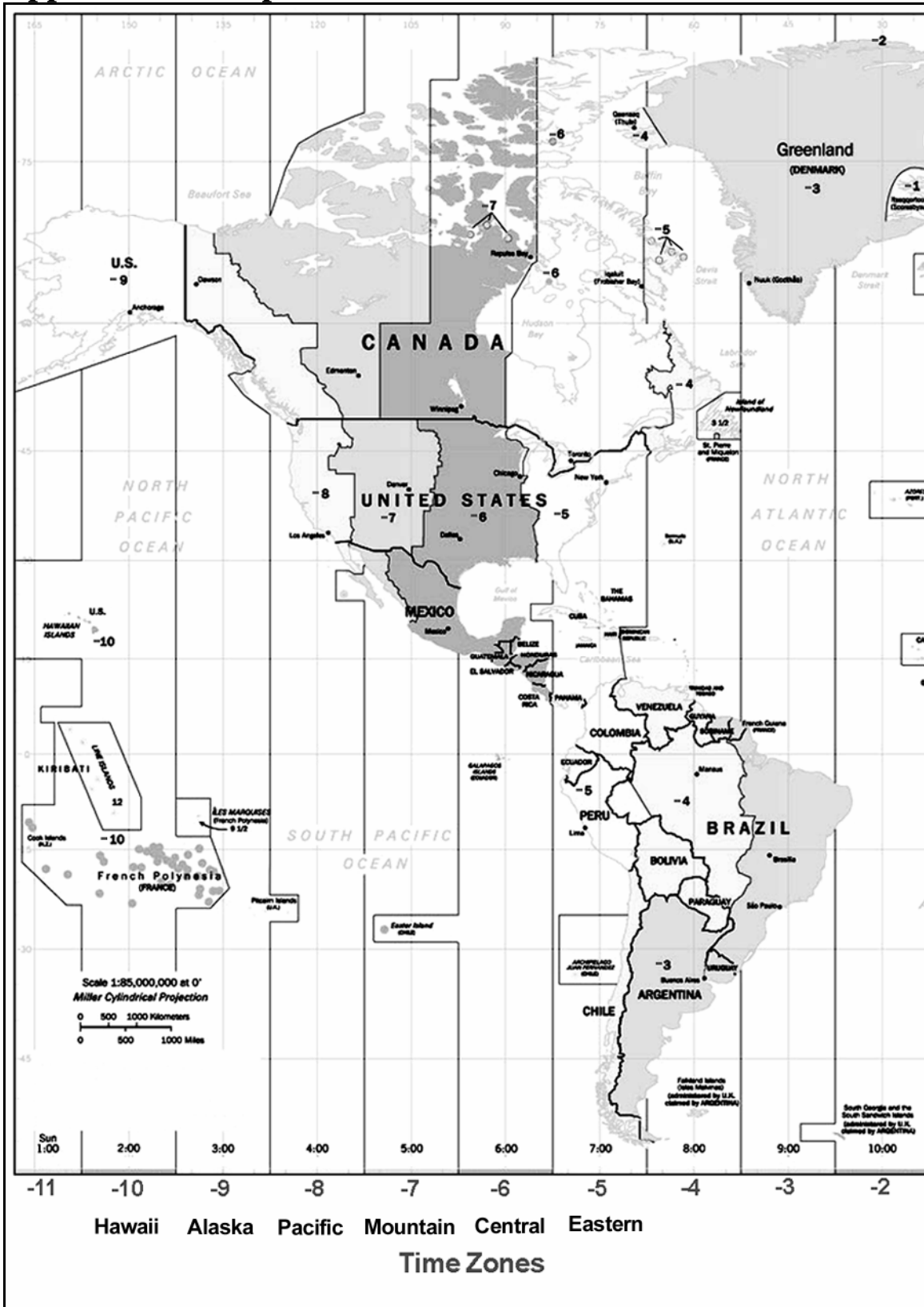
F - Focal length	The distance between a lens (or mirror) and the point at which the image of an object at infinity is brought to focus. The focal length divided by the aperture of the mirror or lens is termed the focal ratio.
J - Jovian Planets	Any of the four gas giant planets that are at a greater distance from the sun than the terrestrial planets.
K - Kuiper Belt	A region beyond the orbit of Neptune extending to about 1000 AU which is a source of many short period comets.
L - Light-Year (ly)	A light-year is the distance light traverses in a vacuum in one year at the speed of 299,792 km/ sec. With 31,557,600 seconds in a year, the light-year equals a distance of 9.46 X 1 trillion km (5.87 X 1 trillion mi).
M - Magnitude	Magnitude is a measure of the brightness of a celestial body. The brightest stars are assigned magnitude 1 and those increasingly fainter from 2 down to magnitude 5. The faintest star that can be seen without a telescope is about magnitude 6. Each magnitude step corresponds to a ratio of 2.5 in brightness. Thus a star of magnitude 1 is 2.5 times brighter than a star of magnitude 2, and 100 times brighter than a magnitude 5 star. The brightest star, Sirius, has an apparent magnitude of -1.6, the full moon is -12.7, and the Sun's brightness, expressed on a magnitude scale, is -26.78. The zero point of the apparent magnitude scale is arbitrary.
Meridian	A reference line in the sky that starts at the North celestial pole and ends at the South celestial pole and passes through the zenith. If you are facing South, the meridian starts from your Southern horizon and passes directly overhead to the North celestial pole.
Messier	A French astronomer in the late 1700's who was primarily looking for comets. Comets are hazy diffuse objects and so Messier cataloged objects that were not comets to help his search. This catalog became the Messier Catalog, M1 through M110.
N - Nebula	Interstellar cloud of gas and dust. Also refers to any celestial object that has a cloudy appearance.
North Celestial Pole	The point in the Northern hemisphere around which all the stars appear to rotate. This is caused by the fact that the Earth is rotating on an axis that passes through the North and South celestial poles. The star Polaris lies less than a degree from this point and is therefore referred to as the "Pole Star".
Nova	Although Latin for "new" it denotes a star that suddenly becomes explosively bright at the end of its life cycle.
O - Open Cluster	One of the groupings of stars that are concentrated along the plane of the Milky Way. Most have an asymmetrical appearance and are loosely assembled. They contain from a dozen to many hundreds of stars.
P - Parallax	Parallax is the difference in the apparent position of an object against a background when viewed by an observer from two different locations. These positions and the actual position of the object form a triangle from which the apex angle (the parallax) and the distance of the object can be determined if the length of the baseline between the observing positions is known and the angular direction of the object from each position at the ends of the baseline has been measured. The traditional method in astronomy of determining the distance to a celestial object is to measure its parallax.
Parfocal	Refers to a group of eyepieces that all require the same distance from the focal plane of the telescope to be in focus. This means when you focus one parfocal eyepiece all the other parfocal eyepieces, in a particular line of eyepieces, will be in focus.
Parsec	The distance at which a star would show parallax of one second of arc. It is equal to 3.26 light-years, 206,265 astronomical units, or 30,8000,000,000,000 km. (Apart from the Sun, no star lies within one parsec of us.)
Point Source	An object which cannot be resolved into an image because it is too far away or too small is considered a point source. A planet is far away but it can be resolved as a disk. Most stars cannot be resolved as disks, they are too far away.
R - Reflector	A telescope in which the light is collected by means of a mirror.

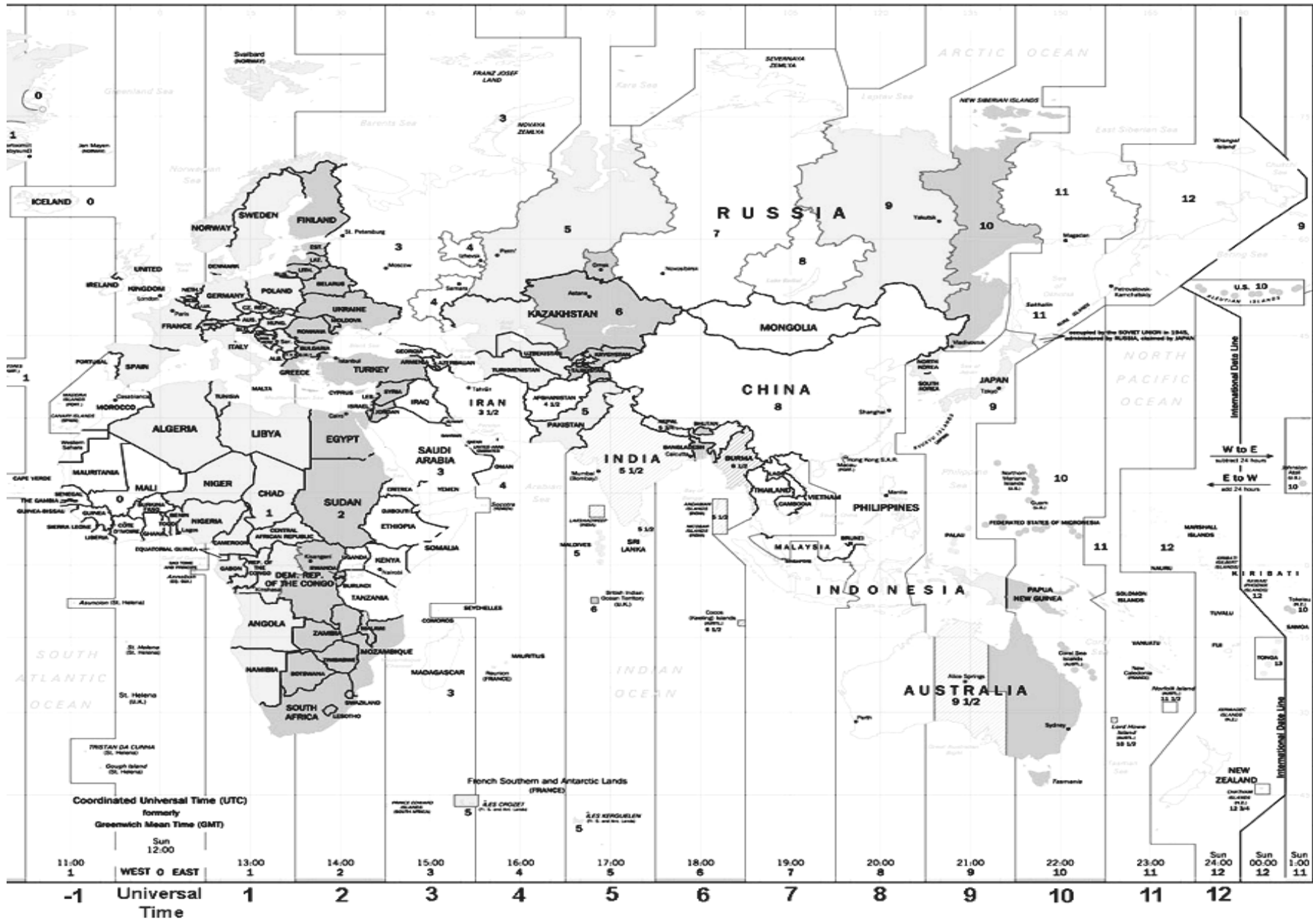
Resolution	The minimum detectable angle an optical system can detect. Because of diffraction, there is a limit to the minimum angle, resolution. The larger the aperture, the better the resolution.
Right Ascension: (RA)	The angular distance of a celestial object measured in hours, minutes, and seconds along the Celestial Equator eastward from the Vernal Equinox.
S -	
Sidereal Rate	This is the angular speed at which the Earth is rotating. Telescope tracking motors drive the telescope at this rate. The rate is 15 arc seconds per second or 15 degrees per hour.
T -	
Terminator	The boundary line between the light and dark portion of the moon or a planet.
U -	
Universe	The totality of astronomical things, events, relations and energies capable of being described objectively.
V -	
Variable Star	A star whose brightness varies over time due to either inherent properties of the star or something eclipsing or obscuring the brightness of the star.
W -	
Waning Moon	The period of the moon's cycle between full and new, when its illuminated portion is decreasing.
Waxing Moon	The period of the moon's cycle between new and full, when its illuminated portion is increasing.
Z -	
Zenith	The point on the Celestial Sphere directly above the observer.
Zodiac	The zodiac is the portion of the Celestial Sphere that lies within 8 degrees on either side of the Ecliptic. The apparent paths of the Sun, the Moon, and the planets, with the exception of some portions of the path of Pluto, lie within this band. Twelve divisions, or signs, each 30 degrees in width, comprise the zodiac. These signs coincided with the zodiacal constellations about 2,000 years ago. Because of the Precession of the Earth's axis, the Vernal Equinox has moved westward by about 30 degrees since that time; the signs have moved with it and thus no longer coincide with the constellations.

Appendix C - RS-232 Connection

Using the included NexRemote software you can control your NexStar telescope with a computer via the RS-232 port located on the computerized hand control and using the RS-232 cable . For information about using NexRemote to control your telescope, refer to the help files located on the disk. In addition to NexRemote, the telescope can be controlled using other popular astronomy software programs.

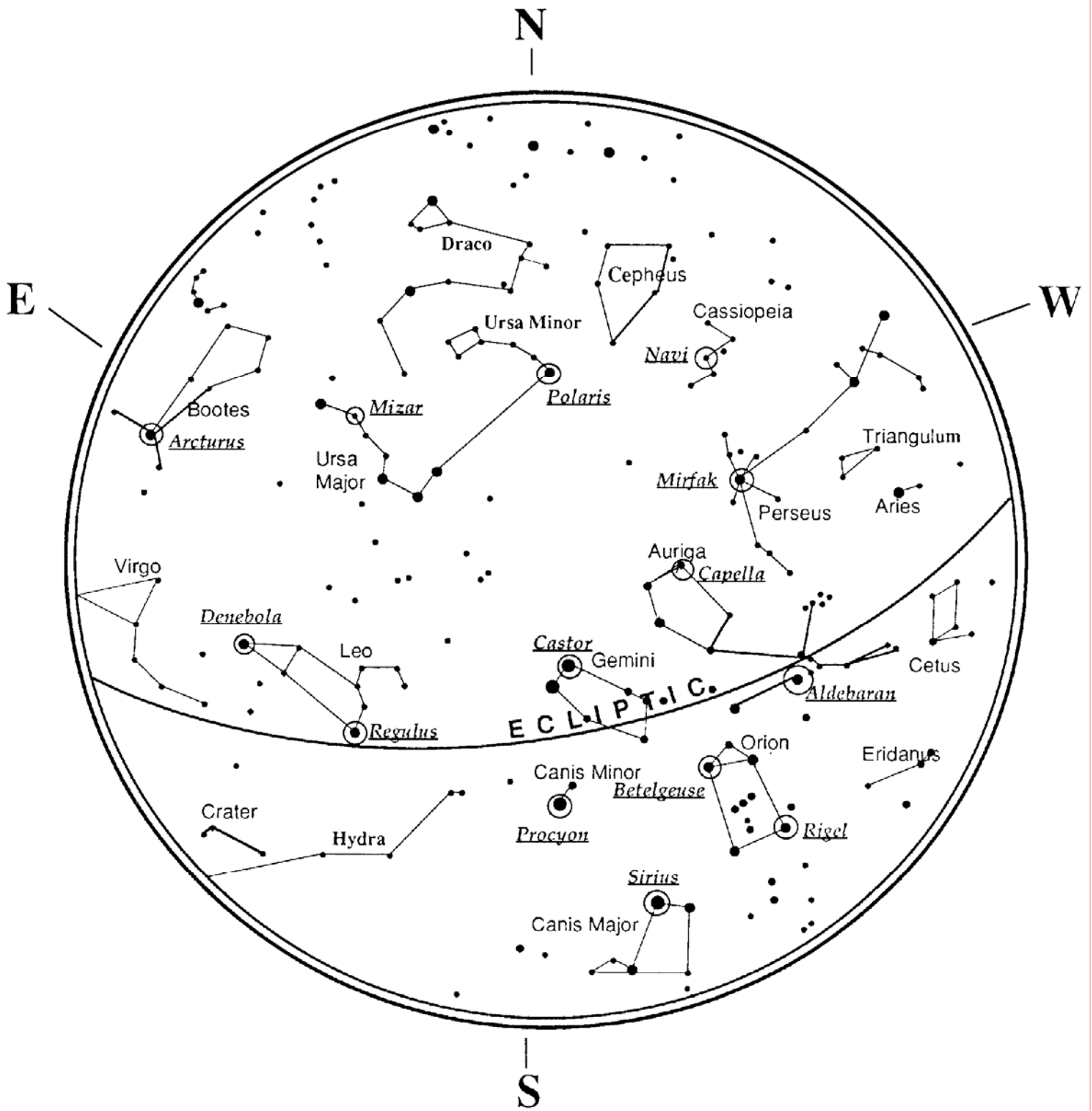
Appendix D – Maps of Time Zones



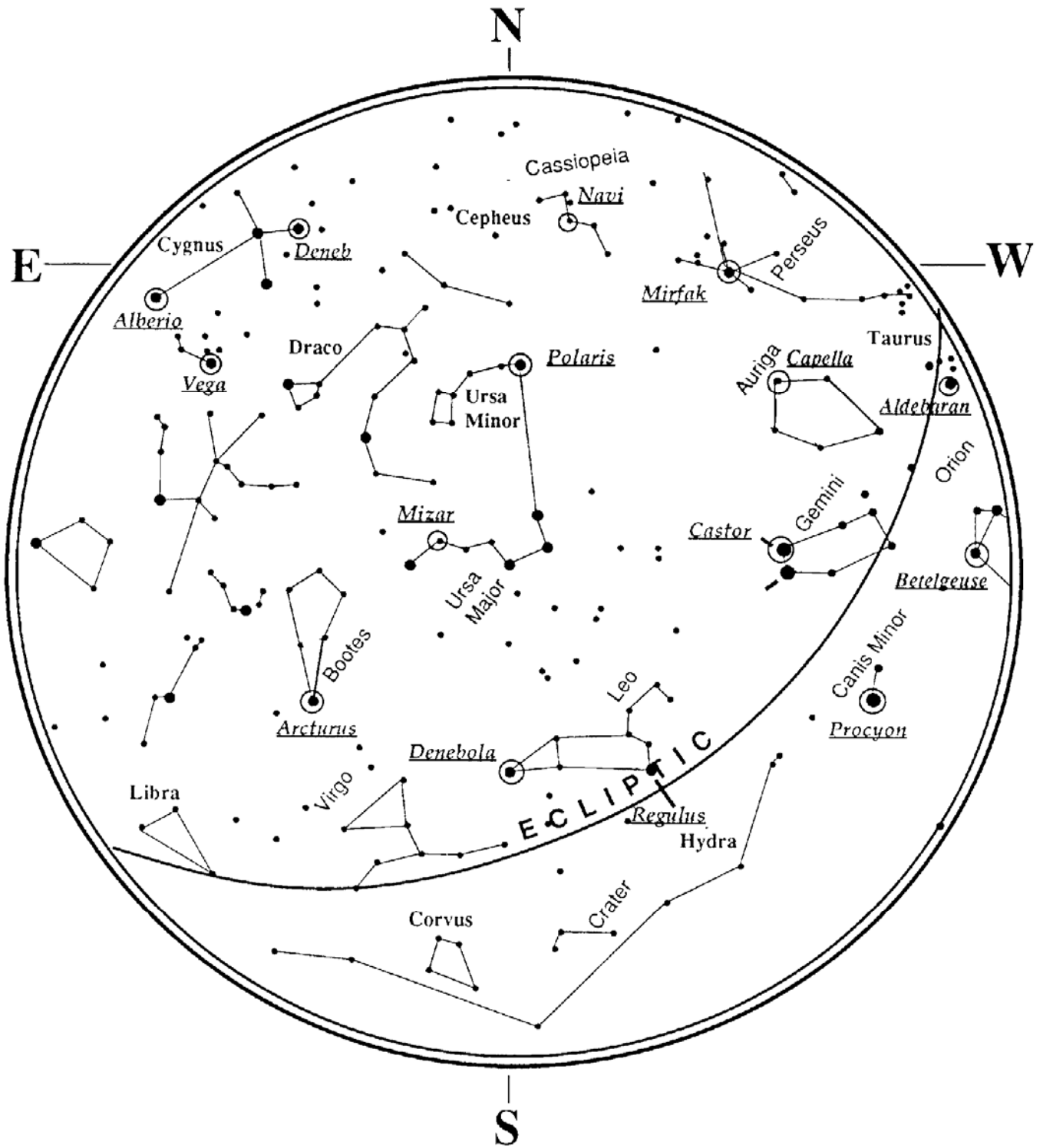


Time Zones

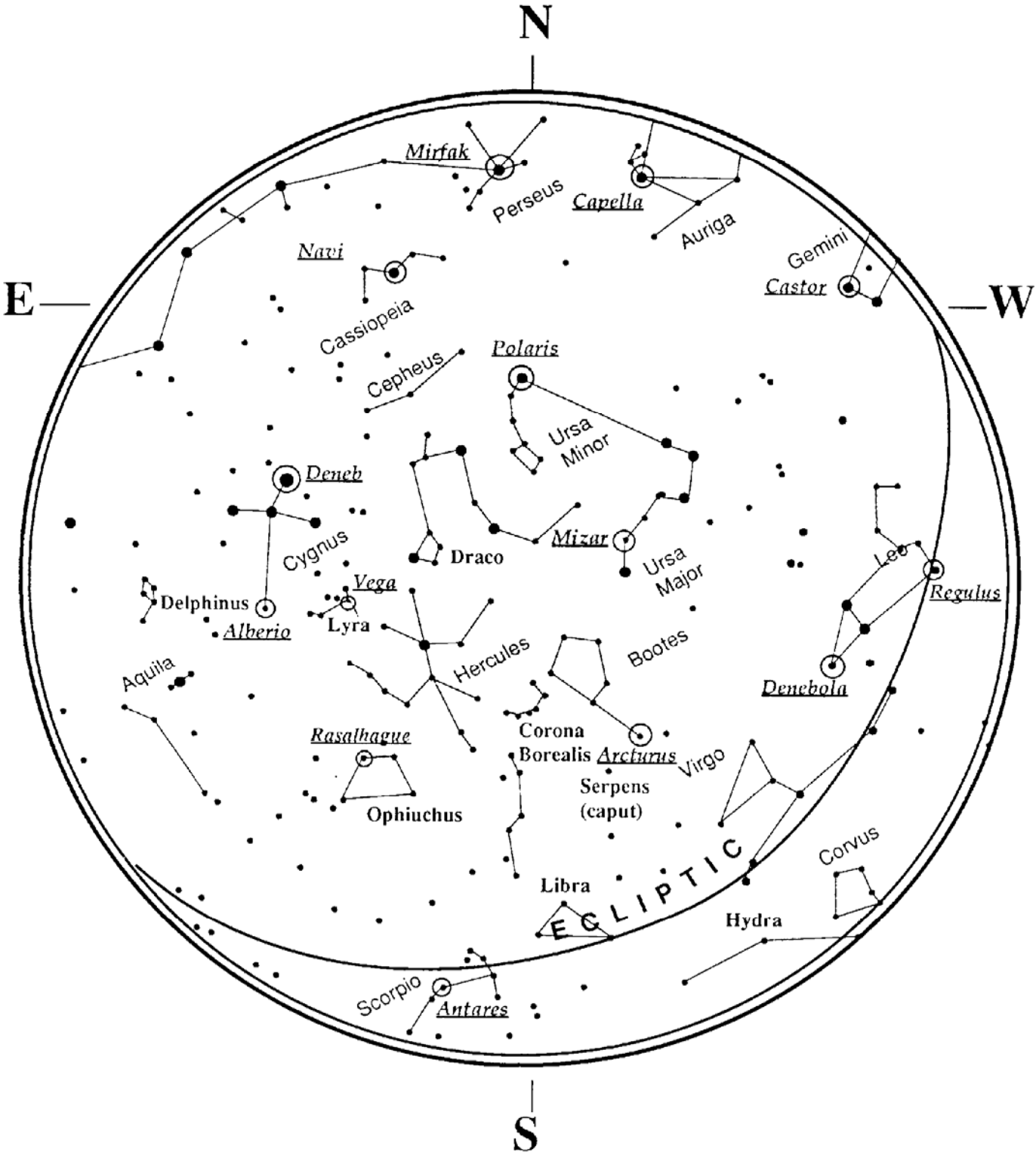
January - February Sky



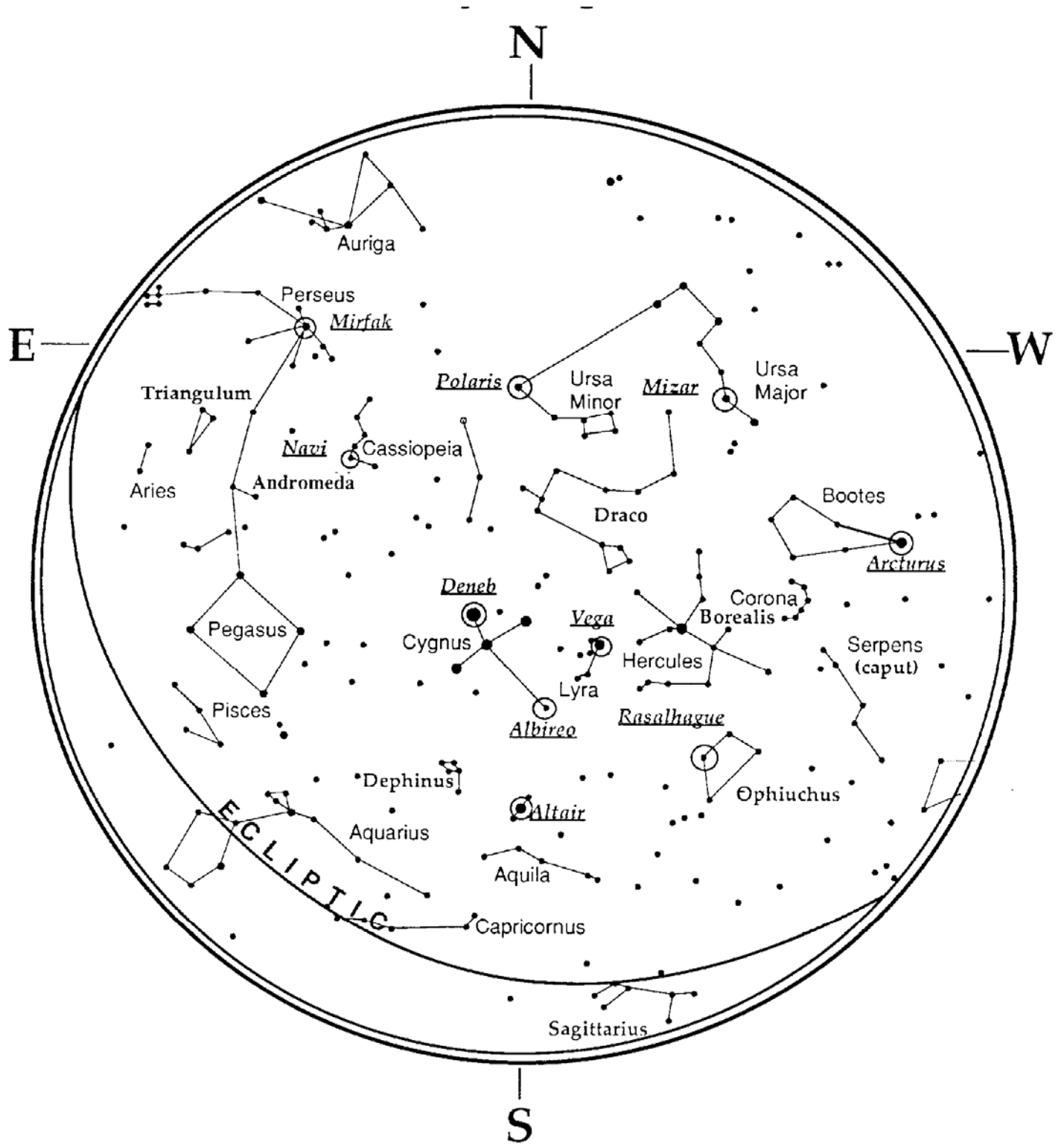
March - April Sky



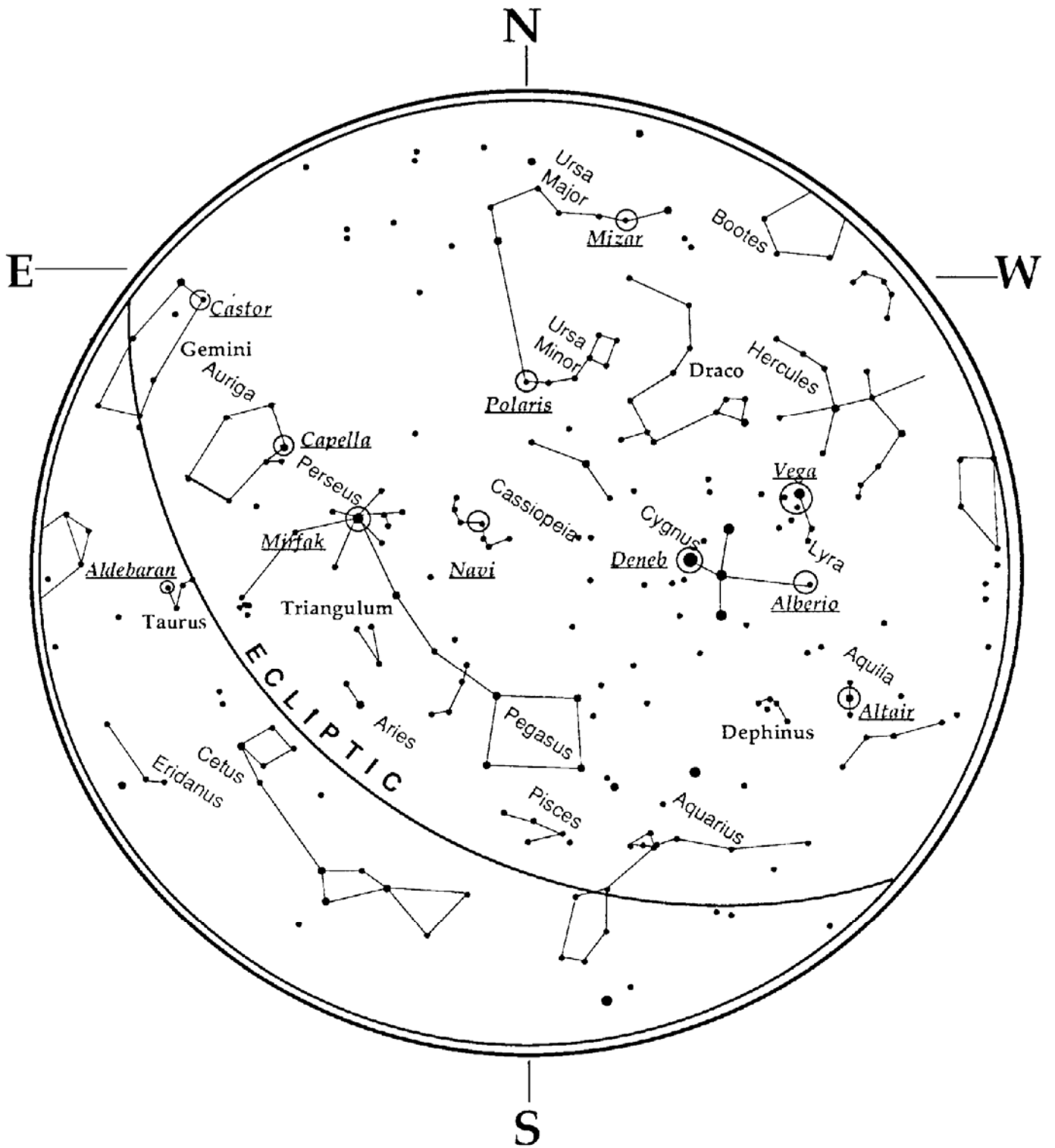
May - June Sky



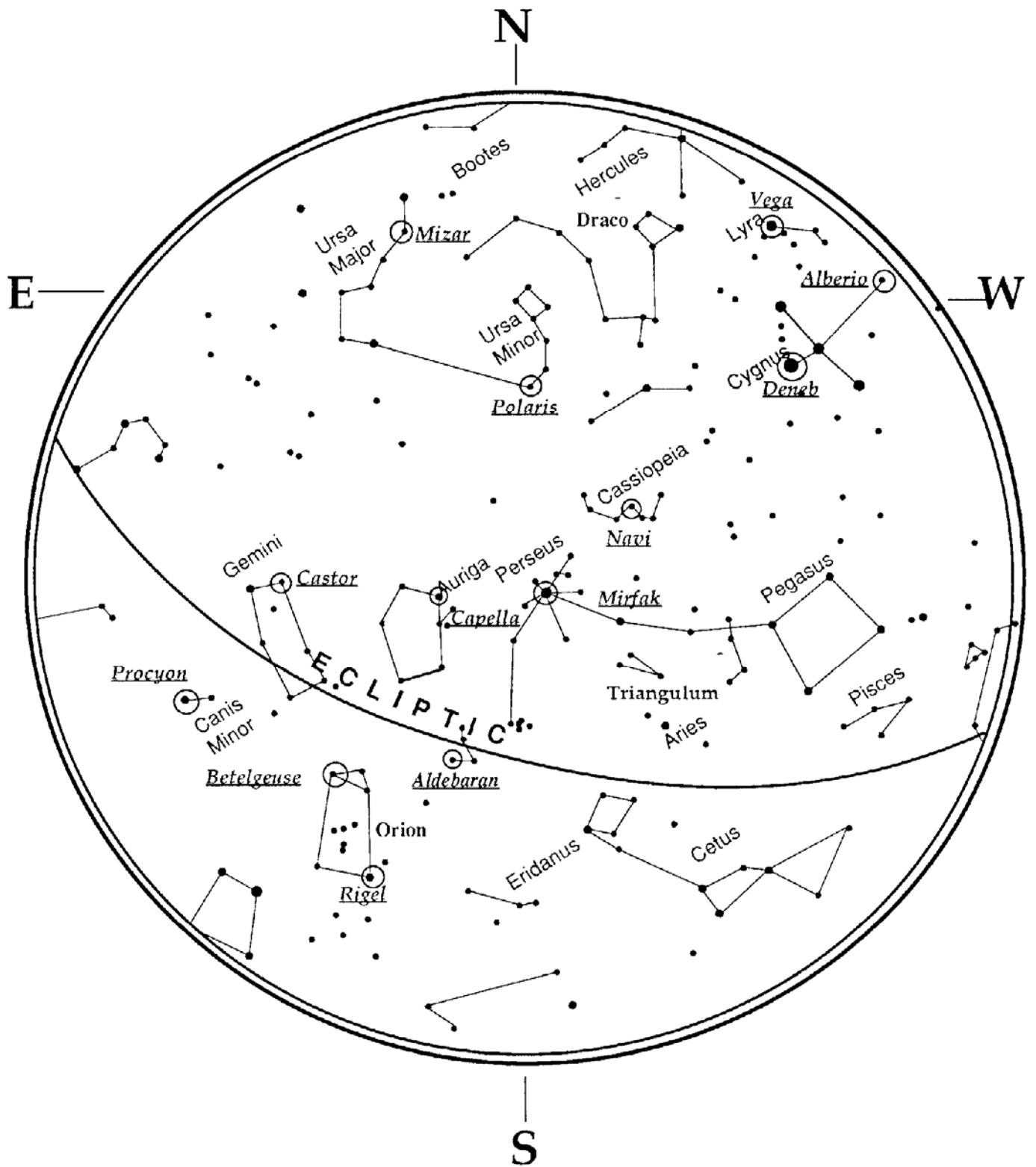
July - August Sky



September - October Sky



November - December Sky



CELESTRON TWO YEAR WARRANTY

A. Celestron warrants this telescope to be free from defects in materials and workmanship for two years. Celestron will repair or replace such product or part thereof which, upon inspection by Celestron, is found to be defective in materials or workmanship. As a condition to the obligation of Celestron to repair or replace such product, the product must be returned to Celestron together with proof-of-purchase satisfactory to Celestron.

B. The Proper Return Authorization Number must be obtained from Celestron in advance of return. Call Celestron at (310) 328-9560 to receive the number to be displayed on the outside of your shipping container.

All returns must be accompanied by a written statement setting forth the name, address, and daytime telephone number of the owner, together with a brief description of any claimed defects. Parts or product for which replacement is made shall become the property of Celestron.

The customer shall be responsible for all costs of transportation and insurance, both to and from the factory of Celestron, and shall be required to prepay such costs.

Celestron shall use reasonable efforts to repair or replace any telescope covered by this warranty within thirty days of receipt. In the event repair or replacement shall require more than thirty days, Celestron shall notify the customer accordingly. Celestron reserves the right to replace any product which has been discontinued from its product line with a new product of comparable value and function.

This warranty shall be void and of no force of effect in the event a covered product has been modified in design or function, or subjected to abuse, misuse, mishandling or unauthorized repair. Further, product malfunction or deterioration due to normal wear is not covered by this warranty.

CELESTRON DISCLAIMS ANY WARRANTIES, EXPRESS OR IMPLIED, WHETHER OF MERCHANTABILITY OF FITNESS FOR A PARTICULAR USE, EXCEPT AS EXPRESSLY SET FORTH HEREIN.

THE SOLE OBLIGATION OF CELESTRON UNDER THIS LIMITED WARRANTY SHALL BE TO REPAIR OR REPLACE THE COVERED PRODUCT, IN ACCORDANCE WITH THE TERMS SET FORTH HEREIN. CELESTRON EXPRESSLY DISCLAIMS ANY LOST PROFITS, GENERAL, SPECIAL, INDIRECT OR CONSEQUENTIAL DAMAGES WHICH MAY RESULT FROM BREACH OF ANY WARRANTY, OR ARISING OUT OF THE USE OR INABILITY TO USE ANY CELESTRON PRODUCT. ANY WARRANTIES WHICH ARE IMPLIED AND WHICH CANNOT BE DISCLAIMED SHALL BE LIMITED IN DURATION TO A TERM OF TWO YEARS FROM THE DATE OF ORIGINAL RETAIL PURCHASE.

Some states do not allow the exclusion or limitation of incidental or consequential damages or limitation on how long an implied warranty lasts, so the above limitations and exclusions may not apply to you.

This warranty gives you specific legal rights, and you may also have other rights which vary from state to state.

Celestron reserves the right to modify or discontinue, without prior notice to you, any model or style telescope.

If warranty problems arise, or if you need assistance in using your telescope contact:

Celestron
Customer Service Department
2835 Columbia Street
Torrance, CA 90503
Tel. (310) 328-9560
Fax. (310) 212-5835
Monday-Friday 8AM-4PM PST

This warranty supersedes all other product warranties.

NOTE: This warranty is valid to U.S.A. and Canadian customers who have purchased this product from an Authorized Celestron Dealer in the U.S.A. or Canada. Warranty outside the U.S.A. and Canada is valid only to customers who purchased from a Celestron Distributor or Authorized Celestron Dealer in the specific country and please contact them for any warranty service.



Celestron
2835 Columbia Street
Torrance, CA 90503
Tel. (310) 328-9560
Fax. (310) 212-5835
Web site at <http://www.celestron.com>

Copyright 2006 Celestron
All rights reserved.

(Products or instructions may change
without notice or obligation.)

This device complies with Part 15 of the FCC Rule. Operation is subject to the following two conditions: 1) This device may not cause harmful interference, and 2) This device must accept any interference received, including interference that may cause undesired operations.

#11036-INST
Printed in China
\$10.00
06-06



Modèle Nexstar 5SE

SERIE NEXSTAR SE

- **Nexstar 4SE** Maksutov Cassegrain réf. C 1996SE
- **Nexstar 5SE** Schmidt Cassegrain réf. C 1997SE
- **Nexstar 6SE** Schmidt Cassegrain réf. C 1998SE
- **Nexstar 8SE** Schmidt Cassegrain réf. C 1999SE

Photos et équipements non contractuels susceptibles de modifications sans notification préalable

Celestron, marque internationale déposée. Matériel d'origine Chine.
La Société MEDAS se réserve le droit de modifier sans préavis ses modèles ainsi que les caractéristiques et accessoires de ses instruments pour améliorer ou pour n'importe quelles exigences de caractère constructif et commercial

Ce document est la propriété intellectuelle de la Société MEDAS. Il est exclusivement réservé aux instruments diffusés par le réseau MEDAS.



TABLE DES MATIERES

INTRODUCTION	5
Avertissement	5
MONTAGE	7
Montage du NexStar	7
Alimentation du Nexstar avec les piles.....	7
Raquette de commande	7
Le renvoi coudé	8
L'oculaire	8
Le chercheur point rouge Starpointer	9
Installation	9
Fonctionnement	9
Assemblage du NexStar sur le trépied	10
RAQUETTE DE COMMANDE	12
La raquette de commande	12
Fonctionnement de la raquette de commande	14
Procédure d'alignement	14
Sky-Align	14
Conseils pour l'utilisation du Sky-Align	16
Alignement automatique sur deux étoiles	16
Alignement sur deux étoiles.....	17
Alignement sur une étoile	18
Alignement sur le système solaire	18
Conseils pour utiliser l'alignement sur le système solaire	19
Alignement EQ Nord/EQ Sud.....	19
Augmenter la précision de pointage	21
Synchronisation	21
CATALOGUE DE L'OBJET	22
Sélectionner un objet	22
Pointer un objet	22
Trouver les planètes	23
Mode Tour	23
Constellation Tour	24
BOUTONS DE DIRECTION	24
Bouton de vitesse	24
PROCEDURES D'INSTALLATION	25
Mode de poursuite	25
Vitesse de poursuite	25
Visualiser heure/localisation	25
Objets programmés par l'utilisateur	26
Photographie	26
Obtenir AD/DEC	28
Se rendre à AD/Dec	28
Identification	28
Go-To précis	29
PARAMETRAGE DU TELESCOPE	29
Réglage heure/site	29
Anti-backlash	29
Limites de pointage	30
Filtrer les hauteurs limites	30
Boutons de direction	30
Approche Go-To	31
Sécurité cordon	31

FONCTIONS UTILITAIRES	31
Table équatoriale	31
Marche/arrêt GPS	31
Réglage luminosité.....	31
Réglage usine	31
Version	32
Obtenir Alt-Az	32
Se rendre à Alt-Az.....	32
Hibernate	32
Menu Soleil	32
Menu défilant	32
L'ESSENTIEL DE VOTRE INSTRUMENT	34
Orientation de l'image	34
Mise au point	35
Calculer le grossissement	35
Champ de vue déterminant	35
Indices d'observation générale	36
L'ESSENTIEL DE L'ASTRONOMIE	37
Le système de coordonnées célestes	37
Le mouvement des étoiles.....	38
Alignement polaire avec table équatoriale	38
Photographie céleste	39
Trouver le Pôle céleste Nord	40
OBSERVATION CELESTE	43
Observer la Lune	43
Indices d'observation lunaire	43
Observer les planètes	43
Indices d'observation planétaire	44
Observer le Soleil	44
Indices d'observation solaire	44
Observation des objets du ciel profond.	44
Conditions de visibilité.....	45
Transparence	45
Illumination du ciel	45
L'observation	45
ENTRETIEN DE L'INSTRUMENT	46
Soins et nettoyage des optiques	46
ACCESSOIRES OPTIONNELS	47
ANNEXE A – CARACTERISTIQUES TECHNIQUES	48
ANNEXE B – BRANCHEMENT RS 232	49
ANNEXE C – GLOSSAIRE	50
ANNEXE D - CARTE DES ZONES HORAIRES	55
CARTES DU CIEL	



INTRODUCTION

Félicitations pour votre achat du CELESTRON NexStar ! Le NexStar introduit une toute nouvelle génération de technologie informatisée. Simple et agréable à utiliser, le NexStar fonctionne après avoir localiser juste trois objets célestes brillants. Il s'agit de la combinaison parfaite entre la puissance et la facilité de transport. Si vous êtes novice dans le domaine de l'astronomie, vous souhaiterez sans doute commencer par la fonction Sky Tour intégrée au NexStar, qui commande le NexStar pour trouver les objets les plus intéressants dans le ciel et se déplacer automatiquement vers chacun d'eux. Si vous avez plus d'expérience, vous apprécierez la vaste base de données de plus de 40 000 objets, incluant des listes de tous les meilleurs objets du ciel profond, des planètes, des étoiles double brillantes.

Peu importe à quel niveau vous débutez, le NexStar vous fera connaître à vous et à vos amis toutes les merveilles de l'univers.

Certaines des nombreuses fonctions du NexStar incluent :

- une incroyable vitesse de déplacement de 3°/seconde
- moteurs intégrés et encodeurs optiques pour la localisation de la position
- raquette de commande informatisée avec une base de données de 4000 objets
- stockage possible d'objets définis par l'utilisateur, et
- de nombreuses autres fonctions très performantes !

Les caractéristiques de luxe du NexStar, associées au légendaire système optique CELESTRON, donnent aux astronomes amateurs l'un des instrument le plus sophistiqué et facile d'utilisation, disponible à ce jour sur le marché.

Prenez le temps de bien lire ce manuel avant de vous embarquer pour un voyage dans l'univers. Cela peut prendre quelques séances d'observation pour se familiariser avec votre NexStar, aussi nous vous conseillons de garder ce manuel sous la main jusqu'à ce que vous ayez maîtrisé le fonctionnement de votre instrument.

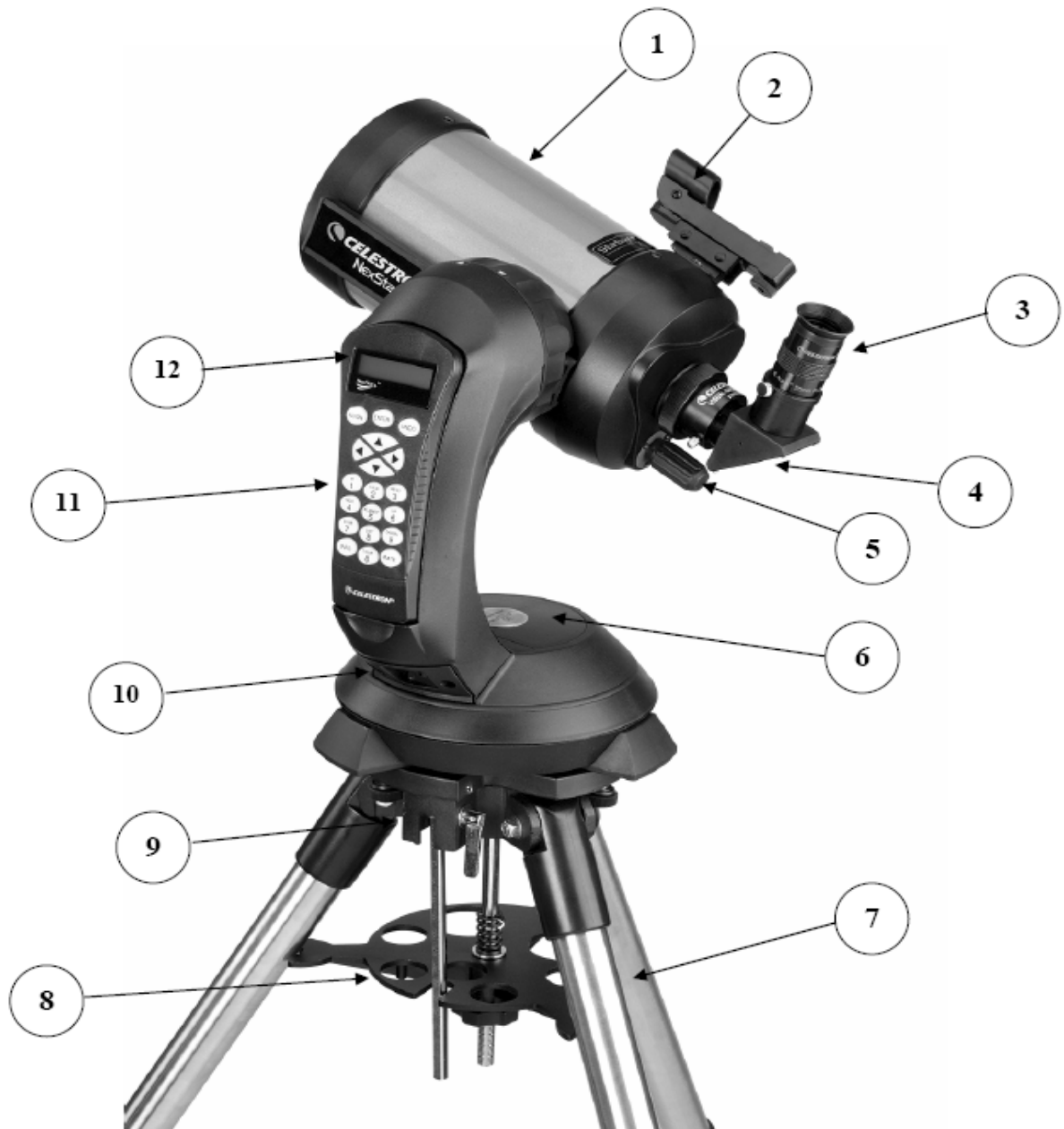
La raquette de commande NexStar comprend des instructions intégrées pour vous guider dans les procédures d'alignement nécessaires à la mise en fonctionnement rapide de votre instrument. Utilisez cette notice en association avec les instructions qui s'affichent à l'écran de la raquette de commande. La notice donne des informations détaillées de chaque étape ainsi que la documentation de référence nécessaire et des astuces pour rendre votre observation aussi simple et agréable que possible.

Votre NexStar est conçu pour vous donner des années d'amusement et des observations gratifiantes. Cependant, il y a un certain nombre de choses à prendre en considération au préalable avant d'utiliser votre instrument qui assurera votre sécurité et protégera votre matériel.



Avertissement

- Ne jamais regarder directement le soleil à l'œil nu ou avec votre instrument (à moins que vous n'avez le filtre solaire adéquat). Il peut en résulter des lésions de l'œil permanentes et irréversibles.
- Ne jamais utiliser votre instrument pour projeter une image du soleil sur n'importe quelle surface. La chaleur interne collectée peut l'endommager ainsi que tous les accessoires s'y rapportant.
- Ne jamais utiliser un filtre solaire sur un oculaire ou un hélioscope d'Herschel. Une chaleur accumulée à l'intérieur de l'instrument peut causer une fêlure ou une cassure de ces accessoires, permettant aux rayons de soleil non filtrés de passer à travers et d'atteindre l'œil.
- Ne jamais laisser votre instrument sans surveillance, surtout lorsque des enfants sont présents ou des adultes qui peuvent ne pas être familiarisés avec les procédures correctes d'utilisation.



Télescope NEXSTAR 5 SE

1	Tube Optique	7	Trépied
2	Chercheur Starpointer	8	Entretoise et porte accessoires
3	Oculaire	9	Table équatoriale inclinable
4	Renvoi coudé	10	Contact ON-OFF
5	Bouton de mise au point	11	Raquette de commande
6	Compartiment à piles	12	Ecran de lecture LCD

CELESTRON **MONTAGE**

Le NexStar se présente entièrement pré-assemblé et peut être opérationnel en l'espace de quelques minutes. Il est emballé de façon pratique dans un carton de transport réutilisable qui contient tous les accessoires suivants :

- Oculaires 25 mm
- Renvoi coudé coulant 31.75 mm remplacé par le flip mirror pour le Nexstar 4 SE
- Chercheur starpointer
- Monture altazimutale motorisée DA avec pointage automatique Go-To
- Trépied
- Tablette pour accessoires.
- Logiciel d'astronomie The Sky Level 1
- Logiciel de commande NexRemote
- Raquette de commande NexStar avec sa base de données d'objets

Montage du NexStar

Tout d'abord, sortir l'instrument de son carton et posez-le sur une surface plane, une table convient très bien. Il est plus facile de sortir l'instrument en le maintenant par la partie étroite de la fourche et sa base circulaire. Sortir également tous les accessoires de leurs boîtes individuelles. Ces boîtes pourront être réutilisées pour le transport.

Avant d'installer les piles, il faut faire pivoter manuellement tout doucement le tube optique de l'instrument de manière à le mettre horizontal. Pour effectuer cette opération, faites basculer doucement l'avant du tube optique en maintenant la base de l'instrument.

● Alimentation du NexStar avec les piles

- 1- Soulever le couvercle situé au centre supérieur de la base.
- 2- Introduire les piles en respectant les polarités.
- 3- Remettre le couvercle en introduisant les ergots à l'arrière et en pressant doucement le couvercle vers le bas pour le cliquer.
- 4- Mettre le contact situé sur la périphérie inférieure de la base sur ON pour faire fonctionner l'instrument.

En cas de perte d'alimentation, le tube optique peut être déplacé manuellement. Toutefois, lorsqu'il est allumé, le télescope doit toujours être commandé via la raquette de commande. Le NexStar perdra son alignement sur les étoiles s'il est déplacé manuellement tout en étant sous tension.



Figure 3-1 : Compartiment à piles NexStar 4/5 SE

● Raquette de commande

La raquette de commande est placée sur la fourche de l'instrument, elle peut être utilisée dans cette position ou être retirée pour être utilisée à distance. Pour retirer la raquette de commande, glissez doucement la raquette vers le haut.

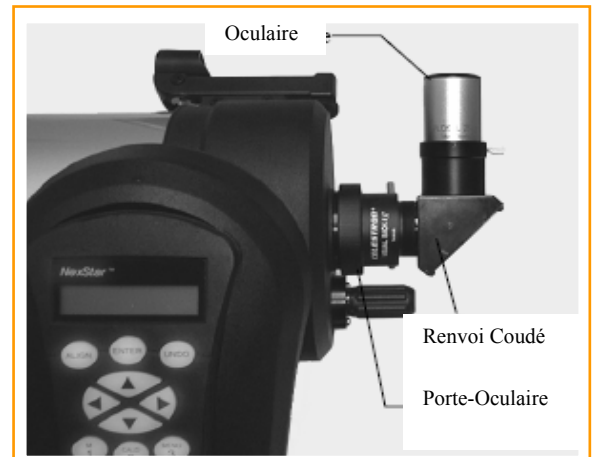
Une fois que le télescope est allumé, la raquette de commande peut être utilisée pour bouger le tube optique en altitude (haut et bas) et azimut (de gauche à droite); utilisez les touches fléchées pour bouger le tube du télescope jusqu'à ce qu'il soit parallèle au sol ; permettant ainsi une meilleure facilité pour adapter les accessoires et ouvrir le couvercle du compartiment à piles pour les insérer si nécessaire.

Vous pouvez désormais assembler les accessoires visuels sur le tube optique.

● Le renvoi coudé (sauf pour le NexStar 4SE)

Le renvoi coudé détourne la lumière en angle droit par rapport à l'axe optique de l'instrument. Pour une observation astronomique située vers le zénith, ceci vous permet d'observer dans des positions plus confortables que si vous regardiez en observation directe. Pour assembler le renvoi coudé :

1. Dévissez les vis moletées du porte-oculaire à la fin du système de mise au point au point pour dégager le diamètre interne.
2. Engagez la partie chromée du renvoi coudé dans le porte-oculaire.
3. Serrez bien les vis moletées du porte-oculaire pour maintenir en place le renvoi coudé



Si vous souhaitez changer l'orientation du renvoi coudé, desserrez les vis moletées du porte-oculaire jusqu'à ce que le renvoi coudé pivote librement.

PS : La visée à 90° est intégrée à l'arrière du tube du Nexstar 4 SE, elle a le même rôle.

● L'oculaire

L'oculaire est l'élément optique qui grossit l'image donnée par votre instrument. Il entre, soit directement dans le porte-oculaire, soit dans le renvoi coudé. Pour assembler l'oculaire :

- Desserrez les vis moletées du renvoi coudé de sorte qu'elles n'obstruent pas le diamètre interne. Enlevez la protection du porte-oculaire.
- Faites glisser la partie chromée de l'oculaire dans le renvoi coudé.
- Serrez bien les vis moletées pour maintenir l'oculaire en place
- Introduire l'ensemble dans le porte-oculaire de l'instrument.
- Pour ôter l'oculaire, desserrez la vis moletée sur le renvoi coudé et faites glisser l'oculaire vers l'extérieur.

Les oculaires sont généralement caractérisés par leur longueur focale et par le coulant standard. La longueur focale de chaque oculaire est imprimée sur le contour de l'oculaire. Plus la longueur focale est longue (ex : plus grand est le nombre) plus petite est la puissance ou le grossissement. Plus la longueur focale est courte ((ex : plus petit est le nombre), plus grand est le grossissement. D'une manière générale, utilisez une petite à moyenne puissance au moment de la première observation.

Pour plus d'informations sur la manière de déterminer la puissance, voir la rubrique « Calculer le grossissement ».

Le diamètre du coulant est le diamètre mécanique qui glisse sur le renvoi coudé ou dans le porte-oculaire. Votre NexStar utilise des oculaires avec un coulant standard de diamètre 31.75 mm.

● Le chercheur point rouge Starpointer

Le Starpointer est la manière la plus rapide et la plus facile pour diriger votre instrument exactement sur un objet désiré dans le ciel. C'est l'équivalent d'un pointeur laser que vous pouvez diriger directement dans le ciel nocturne. Le Starpointer est un outil de grossissement zéro qui utilise un verre semi-réfléchissant pour superposer l'image d'un petit point rouge dans le ciel nocturne. Pendant que vous gardez les yeux ouverts au moment où vous regardez dans le Starpointer, bougez simplement votre lunette ou télescope jusqu'à ce que le point rouge, vu à travers le Starpointer se superpose avec l'objet que votre œil voit tout seul. Le point rouge est produit par une diode lumineuse émettrice (LED) : ce n'est pas un rayon laser et il n'endommagera pas le verre ou votre œil. Le Starpointer est équipé d'un contrôle variable de luminosité, de 2 axes d'alignement de contrôle et des supports d'assemblage de queue d'aronde à démontage rapide (un pour votre NEXSTAR et un pour le Starpointer).

Avant que le Starpointer soit prêt à être utilisé, il doit être installé sur le tube de votre instrument et correctement aligné.

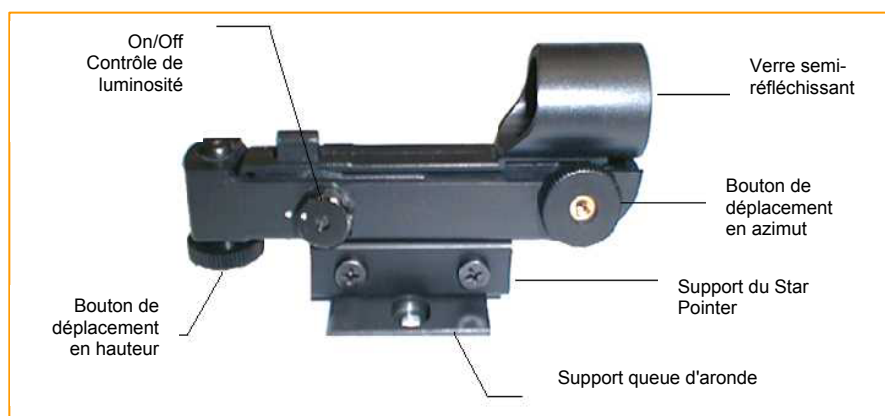


Figure 3-3 le chercheur Star Pointer avec support queue d'aronde

➤ Installation du Starpointer

1. Glissez le support du Starpointer dans l'assemblage queue d'aronde sur la périphérie du tube.
2. Orientez le Starpointer pour que le tube de visée soit dirigé vers l'avant de l'instrument.
3. Maintenez le support du Starpointer en serrant la vis.

➤ Fonctionnement du Starpointer

Le chercheur point rouge Starpointer est alimenté par une pile en lithium longue durée de 3 volts (n° CR2032) située sous la partie avant du Starpointer. Comme tous les chercheurs, le Starpointer doit être aligné correctement avec votre lunette ou télescope avant d'être utilisé. C'est une méthode simple en utilisant les boutons moletés de contrôle azimut et hauteur sur le côté et en bas du Starpointer. La procédure d'alignement est plus précise la nuit puisque le point LED est difficilement visible la journée.

- a) Avant d'utiliser le Starpointer, vous devez d'abord retirer le cache protecteur en plastique de la pile (voir figure 2-10).
- b) Pour allumer le Starpointer, tournez le bouton de contrôle de luminosité variable dans le sens des aiguilles d'une montre jusqu'à ce que vous entendiez un « clic ». Pour augmenter le niveau de luminosité du point rouge, continuez de tourner le bouton de contrôle d'environ 180° jusqu'à ce qu'il s'arrête.

- c) Localisez une étoile brillante ou une planète, centrez-la dans l'oculaire de faible puissance de votre instrument.
- d) Avec les yeux ouverts, regardez à travers la fenêtre en verre l'étoile d'alignement prise en référence.
- e) Si le Starpointer est parfaitement aligné, vous verrez le point rouge LED superposer l'étoile d'alignement. Si le Starpointer n'est pas aligné, notez l'endroit où le point rouge est éloigné de l'étoile brillante.
- f) Sans bouger votre instrument, tournez les contrôles d'alignements azimut et hauteur du Starpointer jusqu'à ce que le point rouge soit directement situé dessus l'étoile d'alignement.

Si le point LED est plus brillant que l'étoile d'alignement, cela peut rendre difficile la visibilité de l'étoile. Faites pivoter le contrôle de luminosité variable dans le sens inverse des aiguilles d'une montre, jusqu'à ce que le point rouge ait la même luminosité que l'étoile d'alignement. Ceci facilitera l'alignement juste. Le Starpointer est à présent prêt à être utilisé. Souvenez-vous de toujours l'éteindre une fois que vous avez trouvé un objet. Ceci prolongera la durée de vie de la pile et du LED.

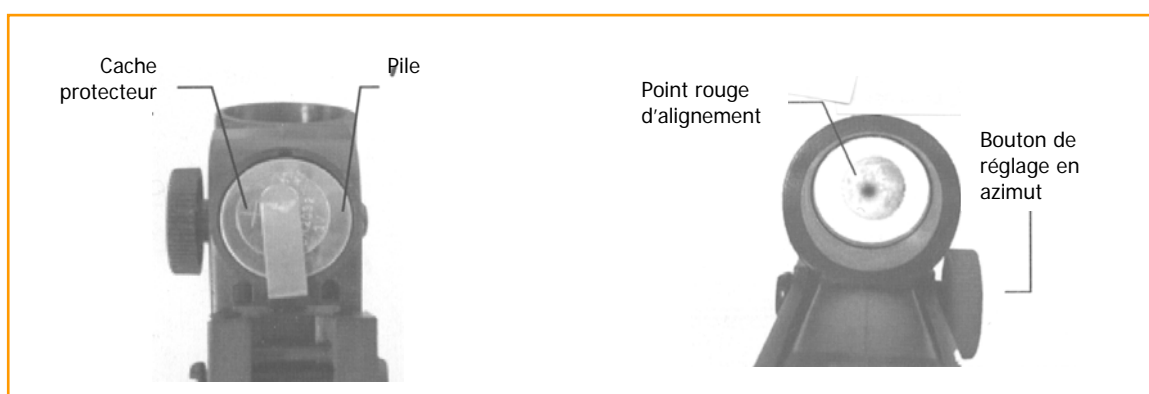


Figure 2-10 Compartiment à pile

Figure 2-11 Aligner le Starpointer

En cas de perte d'alimentation, le tube optique peut être déplacé manuellement. Toutefois, lorsqu'il est allumé, le télescope doit toujours être commandé via la raquette de commande. Le NEXSTAR perdra son alignement sur les étoiles s'il est déplacé manuellement tout en étant sous tension.

➤ Désassemblage du tube optique

Le NexStar SE possède un support queue d'aronde détachable qui vous permet de régler l'équilibrage du tube optique ou de retirer le tube pour ranger votre instrument. Pour le réglage ou pour retirer le tube de la base, desserrez la molette de blocage du support détachable (Voir Figure 3-4)



Figure 3-4

➤ Assemblage du NexStar sur le trépied

Le NexStar possède un trépied robuste avec un support résistant pour positionner le télescope (4 & 5). Ce trépied peut être installé partout, il maintient votre NexStar en Alt-Az ou peut être aligné polairement avec l'utilisation de la table équatoriale intégrée (NexStar 4 & 5). Le trépied est livré assemblé et nécessite seulement le montage de la tablette porte-accessoires.

La table équatoriale Réf. C 405 est en option pour les NexStar 6 et 8 SE.

Pour mettre en place le trépied :

1. Maintenez le trépied en position droite.

2. Étendez les pieds complètement et appuyez les fortement contre le sol.
3. Placez la tablette porte-accessoires sous la tige du support central de façon à ce que la tige de réglage en hauteur s'insère directement dans la rainure.
4. Serrez avec la molette de blocage jusqu'à ce que la tablette porte-accessoires s'appuie fortement contre les pieds.
5. Le trépied est désormais stable et se maintient seul.

Le trépied possède des pieds réglables en hauteur pour mettre à niveau le trépied selon l'endroit d'observation. Il est fourni également avec un niveau à bulles pour vous assister lors d'une mise à niveau précise. Pour ajuster la hauteur et mettre à niveau votre instrument :

1. Mettre à niveau horizontal le plateau de la table équatoriale sur le trépied. Assurez-vous que ce plateau soit toujours à plat et horizontal au sol.
2. Localisez les vis de serrage en haut de chaque pied.
3. Tournez la molette dans le sens inverse des aiguilles d'une montre pour libérer l'élément du trépied.
4. Sortir la partie centrale du pied à la hauteur désirée en s'assurant que la bulle de la nivelle soit bien centrée.
5. Serrez la molette pour maintenir le réglage du trépied.



NexStar 4 SE/ Nexstar 5 SE (Option pour les NexStar 6 SE et 8 SE)

Si vous voulez effectuer un alignement polaire, il est préférable d'ajuster l'inclinaison du plateau de la table équatoriale avant d'assembler le télescope.

1. Desserrez le levier de blocage en inclinaison (situé vers la barre de réglage en latitude) et levez le plateau de la table équatoriale jusqu'à ce que l'échelle sur la tige de réglage en inclinaison soit la même que la latitude de votre lieu d'observation.
2. Serrez le levier de blocage pour maintenir le plateau de la table équatoriale en place.
3. Positionnez la base du télescope sur le plateau de la table équatoriale de façon à ce que le centre de la base s'adapte dans le goujon de la table équatoriale.
4. Tournez la base de façon à ce que les trous à l'intérieur de chaque patte en caoutchouc s'alignent avec les boulons du plateau de la table équatoriale.
5. Resserrez tout d'abord la vis la plus proche de la barre de réglage en inclinaison, puis alignez les 2 autres trous pour les visser aux vis restantes. Vérifiez que le levier de blocage en inclinaison soit toujours en position basse.

Votre NexStar 4 SE ou 5 SE est maintenant prêt à être utilisé.

RAQUETTE DE COMMANDE

● La raquette de commande

Le NexStar SE possède une raquette de commande informatisée conçue pour vous donner un accès immédiat à toutes les fonctions que le NexStar peut offrir. Avec un pointage automatique jusqu'à plus de 40 000 objets, et des descriptions de menu et du bon sens, même un débutant peut maîtriser sa variété de caractéristiques en simplement quelques séances d'observation. Ci-dessous, un bref descriptif des composants individuels de la commande manuelle du NexStar SE.

1. **Liquid Crystal Display (LCD) Window** (La fenêtre d'affichage à cristaux liquides) :
Elle a une double ligne, un écran d'affichage, à 16 caractères, rétro-éclairé pour une lecture confortable des informations de l'instrument et du texte de défilement.
2. **Align** (L'alignement) :
Il étalonne le NexStar pour utiliser une étoile sélectionnée ou un objet comme une position d'alignement
3. **Direction Keys** (Les touches de direction):
Elles permettent un contrôle complet du NexStar dans n'importe quelle direction. Utilisez les touches de direction pour centrer l'objet dans le chercheur Starpointer et dans l'oculaire.
4. **Catalog Keys** (Les touches catalogue) :
Le NexStar a des touches sur la commande manuelle pour permettre un accès direct des catalogues dans sa base de données de 40 000+ objets. Il contient les catalogues suivants dans sa base de données :

Messier – Liste complète de tous les objets Messier.

NGC – Liste complète de tous les objets ciel profond dans le Nouveau Catalogue Général revu et corrigé.

Caldwell – Une combinaison des plus beaux objets NGC et IC.

Planets (Planètes) – Toutes les 8 planètes dans notre Système Solaire visibles au jour et à l'heure de votre observation ainsi que la Lune.

Stars (Étoiles) – Une liste compilée des étoiles brillantes provenant du catalogue SAO.

List (Liste) – Pour un accès rapide, tous les meilleurs objets et les plus répandus dans la base de données du NexStar se composent de listes basées sur leurs caractéristiques et/ou leurs noms communs.

Named Stars (Étoiles nommées) :	Nom commun donnant la liste des étoiles brillantes dans le ciel.
Named Objects (Objets nommés) :	Liste alphabétique de plus de 50 objets du ciel profond les plus connus.
Double Stars (Étoiles doubles) :	Liste numérique-alphabétique des étoiles doubles, triples ou quadruples les plus remarquables dans le ciel.
Variable Stars (Étoiles variables) :	Liste des différentes étoiles brillantes variables avec une période courte de changement de magnitude.
Asterisms (Astérismes) :	Une liste unique de quelques configurations d'étoiles les plus reconnaissables.

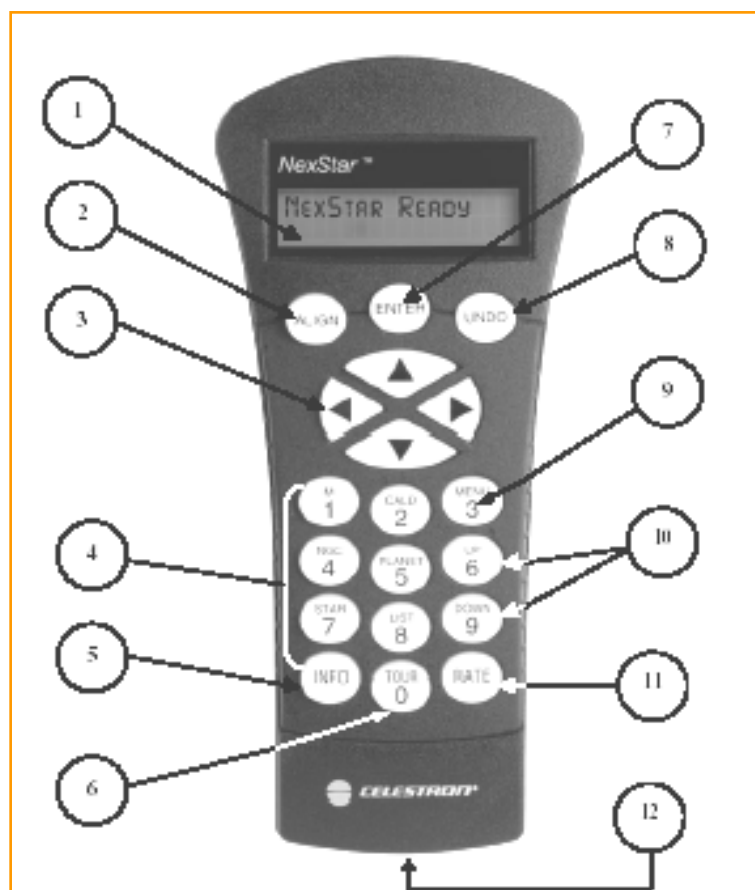


Figure 3-1
Raquette de commande NexStar

5. **Info :**
Elle affiche des coordonnées et une information utile sur les objets choisis dans la base de données NexStar (affichage en anglais).
6. **Tour :**
Elle active le mode consultations, qui recherche tous les meilleurs objets pour un mois donné et fait pointer automatiquement le NexStar.
7. **Enter** (Entrée):
Le fait d'appuyer sur « Enter » vous permet de valider n'importe quelle fonction du NexStar et d'accepter les paramètres mémorisés.
8. **Undo** (Annulation) :
L'annulation vous fera sortir du menu actuel et affichera le niveau précédent du passage du menu. Appuyez sur « Undo » (annulation) à plusieurs reprises pour retourner au menu principal ou l'utiliser pour effacer des données enregistrées par erreur.
9. **Menu :**
Il affiche les nombreux systèmes et les fonctions utilitaires telles la vitesse de poursuite et les objets programmés par l'utilisateur et bien d'autres.
10. **Scroll Keys** (Les Touches de défilement) :
Utilisées pour faire défiler en haut et en bas n'importe quelle liste de menus. Une double flèche apparaîtra du côté droit du LCD quand il y a des sous-menus en dessous du menu affiché. Utiliser ces touches vous fera parcourir ces sous-menus.
11. **Rate** (Vitesse) :

Elle change instantanément le taux de vitesse des moteurs quand les boutons de direction sont pressés.

12. **RS-232** (Connexion RS-232) :

Prise permettant le pilotage via un ordinateur avec un câble en option (réf. C 404 et C 404 USB).

Fonctionnement de la raquette de commande

Cette rubrique décrit les procédures essentielles de la commande manuelle pour faire fonctionner le NexStar. Ces procédures sont regroupées en 3 catégories : alignement, installation, programmes utilitaires. La rubrique alignement s'occupe de l'alignement de l'instrument initial aussi bien que de trouver des objets dans le ciel. La rubrique de mise en marche traite des paramètres changeant tels le mode et la vitesse de poursuite. Finalement, la dernière rubrique étudie toutes les fonctions utilitaires telles que la connexion RS-232, l'activation de la caractéristique des limites de pointage et le backlash (retard dans le mouvement inverse).

● Procédure d'alignement

Pour que le NexStar pointe de façon précise les objets dans le ciel, il doit être tout d'abord aligné sur des positions connues (étoiles) dans le ciel. A l'aide de ces informations l'instrument peut créer un modèle du ciel qu'il utilise pour localiser n'importe quel objet avec des coordonnées connues. Il y a plusieurs façons d'aligner le NexStar sur le ciel selon les informations que l'utilisateur est capable de fournir : **SkyAlign** utilise la date, heure et villes actuelles pour créer un modèle précis du ciel. Ensuite l'utilisateur peut simplement pointer son instrument sur trois objets célestes brillants pour aligner précisément celui-ci sur le ciel. **Auto Two-Star Align** demandera à l'utilisateur de choisir et de centrer la première étoile d'alignement, ensuite le NexStar sélectionnera et se déplacera automatiquement vers une deuxième étoile pour l'alignement. **Two-Star Alignment** nécessite que l'utilisateur identifie et déplace manuellement son instrument vers les deux étoiles d'alignement. **One-Star Align** est la même chose que Two-Star Align mais nécessite uniquement d'aligner l'instrument sur une étoile connue. Bien qu'elle ne soit pas aussi précise que les autres méthodes d'alignement, One-Star Align est le moyen le plus rapide de trouver et suivre des objets et des planètes brillantes en mode « Altazimut » (altazimutale). Enfin, **Solar System Align** affichera une liste d'objets visibles de jour (planètes et la Lune) disponible pour aligner l'instrument. Chaque méthode d'alignement est détaillée ci-dessous.

Définition

« Altazimut » ou « Alt-Az » fait référence à un type de monture altazimutale permettant à l'instrument d'être réglé en azimut (horizontalement) et en altitude (verticalement) par rapport au sol. C'est la monture la plus simple puisque l'instrument est directement fixé sur le trépied.

● Sky Align

Sky Align est la façon la plus simple d'aligner votre NexStar pour qu'il soit prêt pour l'observation. Même si vous ne connaissez aucune étoile dans le ciel, le NexStar s'alignera en quelques minutes en vous demandant des données basiques telles que la date, l'heure et la localisation. Puisque Sky Align ne requiert aucune connaissance du ciel nocturne, il n'est donc pas nécessaire de connaître le nom des étoiles que vous désirez pointer. Vous pouvez même sélectionner une planète ou même la Lune. Le NexStar est ensuite prêt à trouver et suivre l'un des 40 000 objets de la base de données. Avant que l'instrument soit prêt à être aligné, il doit être installé à l'extérieur avec tous ses accessoires (oculaires, renvoi-coudé, et chercheur) et le cache-objectif enlevé comme décrit dans la chapitre « Montage » de ce manuel. Pour démarrer Sky Align :

1. Mettez le NexStar sous tension en positionnant l'interrupteur situé sur le côté de la mono-fourche sur « On ». Une fois allumée, la raquette de commande affichera « NexStar SE ».

2. Pressez ENTER pour choisir *Sky Align*. Appuyez sur la touche ALIGN omettra les autres options d'alignement et le texte défilant mais commencera automatiquement *Sky Align*.
3. La raquette de commande vous demandera ensuite de saisir les informations suivantes :

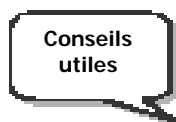
Location (localisation) – Le NexStar affichera une liste de villes. Choisissez la plus proche de votre site d'observation actuel. La ville choisie sera enregistrée dans la mémoire de la raquette de commande et s'affichera automatiquement lors du prochain alignement qui sera réalisé. En revanche, si vous connaissez précisément la longitude et la latitude de votre site d'observation, vous pouvez les saisir directement dans la raquette de commande et les enregistrer pour une future utilisation. Pour choisir une ville :

- ❑ Utilisez les touches de défilement Up (Haut) et Down (Bas) pour choisir soit *City Database* ou *Custom Site*. *City Database* vous permettra de sélectionner la ville la plus proche de votre site d'observation dans une liste de sites américains ou internationaux. *Custom site* vous permet de saisir la longitude et la latitude de votre site d'observation. Sélectionnez *City Database* et pressez ENTER.
- ❑ La raquette de commande vous permettra de choisir parmi des villes américaines ou internationales. Pour obtenir une liste des sites américains par Etat puis par ville, pressez ENTER lorsque « United States » s'affiche. Pour les sites internationaux, utilisez les touches de défilement Up (Haut) ou Down (Bas) pour sélectionner « International » puis pressez ENTER.
- ❑ Utilisez les touches de défilement Up (Haut) et Down (Bas) pour choisir votre Etat, ou pays où vous vous situez si « International locations » (sites internationaux) a été sélectionné, à partir de la liste alphabétique puis pressez ENTER.
- ❑ Utilisez les touches de défilement Up (Haut) et Down (Bas) pour choisir, dans la liste affichée, la ville la plus proche de votre site d'observation puis pressez ENTER.

Time (Heure) - Entrez l'heure en temps universel de votre lieu d'observation heure locale : - moins 1 heure en hiver – moins 2 heures en été (08:00) ou (20:00) heure militaire.

- ❑ Sélectionnez AM (matin) ou PM (soir). Si vous avez entré l'heure militaire, la raquette de commande omettra cette étape.
- ❑ Choisissez Standard Time (heure standard) ou Daylight Savings Time (enregistrement heure du jour). Utilisez les touches de défilement Up (Haut) et Down (bas) (10) pour défiler à travers les différentes options.
- ❑ Choisissez le fuseau horaire de votre lieu d'observation. Utilisez à nouveau les touches de défilement Haut et Bas pour faire défiler les possibilités. Pour des informations sur les fuseaux horaires, consultez la carte en annexe de cette notice.

Date - Entrez le mois, jour et année de votre séance d'observation. La saisie doit se faire comme suit : mm/jj/aa.



- *Si vous avez entré par erreur de mauvaises informations, appuyez sur UNDO, cette touche annule la dernière information saisie et vous permet d'entrer les informations correctes.*
- *La prochaine fois que votre NEXSTAR sera aligné, la raquette de commande affichera automatiquement la dernière localisation (soit une ville, soit les valeurs longitude/latitude) qui a été saisie. Pressez ENTER pour valider ces paramètres s'ils sont toujours valables. Pressez UNDO vous permettra de revenir en arrière et de sélectionner une nouvelle ville ou de nouvelles valeurs longitude/latitude.*

4. Utilisez les flèches de la raquette de commande pour déplacer votre lunette ou télescope vers n'importe

quel objet céleste brillant dans le ciel. Alignez l'objet avec le point rouge du chercheur et appuyez sur ENTER.

5. Si le chercheur a été correctement aligné avec le tube de l'instrument, l'étoile d'alignement devrait être visible dans le champ de vision de l'oculaire. La raquette de commande vous demandera de centrer l'étoile brillante d'alignement au centre de l'oculaire et d'appuyer sur ALIGN. Cela validera l'étoile comme première position d'alignement. (Il n'est pas nécessaire de régler la vitesse de déplacement des moteurs après chaque étape d'alignement. Le NexStar sélectionne la meilleure vitesse de déplacement pour l'alignement d'objets dans le chercheur et dans l'oculaire).
6. Pour le second objet d'alignement, choisissez une étoile ou une planète brillante aussi éloignée que possible du premier objet d'alignement. Utilisez à nouveau les flèches pour centrer l'objet dans le chercheur et pressez ENTER. Puis, une fois centrée dans l'oculaire, appuyez sur ALIGN.
7. Répétez le processus pour la troisième étoile d'alignement. Lorsque l'instrument a été aligné sur les dernières étoiles, l'écran affichera « Match Confirmed ». Pressez UNDO pour afficher les noms des trois objets brillants sur lesquels l'alignement a été réalisé, ou appuyez sur ENTER pour accepter ces trois objets pour l'alignement. Vous êtes prêts à trouver votre premier objet.

➤ Conseils pour l'utilisation de Sky Align

Rappelez-vous des grandes lignes d'alignement suivantes pour utiliser *Sky Align* aussi simplement et aussi précisément que possible.

- Soyez sûr d'avoir mis le trépied à niveau avant de commencer l'alignement. L'information heure/localisation et un trépied correctement mise de niveau aideront l'instrument à mieux trouver les étoiles et les planètes brillantes situées juste au-dessus de l'horizon.
- Souvenez-vous de sélectionner des étoiles d'alignement qui soient le plus éloignées possible dans le ciel. Pour de meilleurs résultats, assurez-vous que la troisième étoile d'alignement ne soit pas située sur la ligne séparant les deux premières étoiles. Cela mènerait à une erreur d'alignement.
- Ne vous inquiétez pas si vous confondez planètes et étoiles pour la sélection d'objets d'alignement. *SkyAlign* fonctionne avec les 4 planètes les plus brillantes (Venus, Jupiter, Saturne et Mars) et aussi bien avec la Lune. En plus des planètes, la raquette de commande comprend plus de 80 étoiles lumineuses d'alignement parmi lesquelles il est possible de choisir (jusqu'à une magnitude 2.5).
- Il est rare que *SkyAlign* ne puisse pas déterminer quels sont les trois objets d'alignement qui sont centrés. Cela arrive parfois lorsqu'une planète lumineuse ou la Lune passe près de l'une des étoiles les plus brillantes. Dans ce cas, mieux vaut éviter un alignement sur n'importe quel objet.
- Assurez-vous de centrer les objets avec les mêmes mouvements fins que la direction du système Go-To. Par exemple, si votre instrument finit normalement une approche Go-To avec l'avant votre instrument se déplaçant à droite et vers le haut, vous devez centrer les trois objets d'alignement dans l'oculaire en utilisant les flèches droite et haute (les flèches haut/bas renversent à une vitesse de 6 ou moins). Approcher l'étoile dans ce sens lorsque vous regardez dans l'oculaire éliminera beaucoup de backlash entre les vitesses et garantit l'alignement le plus précis possible.

● Alignement automatique sur deux étoiles (Auto 2-Star)

Tout comme avec *Sky Align*, l'alignement automatique sur deux étoiles vous demande uniquement de saisir les données heure/localisation nécessaires. Une fois cette information saisie, le NexStar vous demandera de sélectionner et de pointer votre lunette ou télescope sur une étoile connue du ciel. Le NexStar a maintenant toutes les informations nécessaires pour choisir automatiquement une seconde étoile qui garantira le meilleur alignement possible. Une fois sélectionnée, votre instrument se déplacera automatiquement vers cette seconde étoile d'alignement pour terminer l'alignement. Une fois le NexStar installé à l'extérieur avec tous ses accessoires et son trépied à niveau, suivez les étapes ci-après pour aligner l'instrument :

1. Une fois le NexStar mis sous tension, pressez ENTER pour commencer l'alignement.
2. Utilisez les touches de défilement Up (Haut) et Down (Bas) (10) pour sélectionner *Auto Two-Star Align* et pressez ENTER.
3. La raquette de commande affichera les dernières informations heure/localisation saisies dans la raquette de commande. Utilisez les touches de défilement Up (Haut) et Down (Bas) pour faire défiler les données. Appuyez sur ENTER pour accepter les informations actuelles ou sur UNDO pour saisir manuellement ces informations (voir chapitre Sky Align, pages précédentes, pour des explications détaillées sur la saisie des informations heure/localisation).
4. L'écran vous demandera alors à sélectionner une étoile brillante à partir de la liste affichée sur la raquette de commande. Utilisez les touches de défilement (6 et 9 sur le clavier) pour atteindre l'étoile souhaitée puis appuyez sur ENTER.
5. Utilisez les flèches pour déplacer l'instrument vers l'étoile que vous avez sélectionnée. Centrez l'étoile dans le chercheur et pressez ENTER. Enfin, centrez l'étoile dans l'oculaire et appuyez sur ALIGN.
6. D'après ces informations, le NexStar affichera automatiquement la seconde étoile d'alignement la plus appropriée qui se situe au-dessus de l'horizon. Pressez ENTER pour pointer automatiquement l'instrument sur l'étoile affichée. Si, pour quelque raison, vous ne souhaitez pas sélectionner cette étoile (peut-être est-elle derrière un arbre ou un immeuble), vous pouvez soit :
 - Appuyer sur UNDO pour afficher la prochaine étoile la plus appropriée pour l'alignement.
 - Utiliser les touches de défilement UP et DOWN pour sélectionner manuellement, dans la liste des étoiles disponibles, l'étoile que vous souhaitez.

Une fois le pointage effectué, l'écran vous demandera d'utiliser les flèches pour aligner l'étoile sélectionnée avec le point rouge du chercheur. Une fois centrée dans le chercheur, appuyez sur ENTER. L'écran vous demandera ensuite de centrer l'étoile dans le champ de vision de l'oculaire. Lorsque l'étoile est centrée, pressez ALIGN pour valider cette étoile comme deuxième étoile d'alignement. Lorsque l'instrument sera aligné sur les deux étoiles, l'écran affichera « Align Success », et vous êtes maintenant prêt à chercher votre premier objet.

● Alignement sur deux étoiles (2-Star)

Avec la méthode alignement sur deux étoiles, le NexStar vous demande de connaître la position de deux étoiles brillantes afin d'aligner précisément votre instrument avec le ciel et de commencer à chercher des objets. Une explication générale de cette procédure vous est proposée ci-dessous :

- a). Une fois le NexStar mis sous tension, utilisez les touches de défilement Up (Haut) et Down (Bas) (10) pour sélectionner Two-Star Align, et pressez ENTER.
- b). Appuyez sur ENTER pour accepter les données heure/localisation affichées à l'écran ou pressez UNDO pour saisir de nouvelles données.
- c). Le message SELECT STAR 1 apparaîtra sur la première ligne de l'écran. Utilisez les touches de défilement Haut et Bas (10) pour sélectionner l'étoile que vous souhaitez utiliser comme première étoile d'alignement. Appuyez sur ENTER.
- d). Le NexStar vous demande ensuite de centrer l'étoile d'alignement choisie dans l'oculaire. Utilisez les flèches pour pointer l'instrument sur l'étoile d'alignement et centrez-la dans le chercheur. Pressez ENTER lorsqu'elle est centrée.
- e). Puis, centrez l'étoile dans l'oculaire et appuyez sur ALIGN.



Conseil utile

Afin de bien centrer précisément l'étoile d'alignement dans l'oculaire, vous pouvez diminuer la vitesse de déplacement des moteurs pour un centrage précis. Cela est possible à l'aide de la touche RATE (11) sur la raquette de commande. Sélectionnez ensuite la vitesse souhaitée. (9 = rapide, 1 = lent).

- f). Le NexStar vous demandera ensuite de sélectionner et de centrer une seconde étoile d'alignement et d'appuyer sur la touche ALIGN. Il est préférable de choisir des étoiles éloignées l'une de l'autre. Les étoiles éloignées d'au moins 40° à 60° l'une de l'autre, vous donneront un alignement plus précis que les étoiles qui sont proches.

Une fois l'alignement sur la seconde étoile terminé, l'écran affichera « Align Successful » et vous devriez entendre les moteurs se mettre en marche et commencer le suivi.

● Alignement sur une étoile (One-Star)

L'alignement sur une étoile vous demande de saisir les mêmes informations que pour la procédure d'alignement sur deux étoiles. Cependant, au lieu de pointer deux étoiles d'alignement pour le centrage et l'alignement, le NexStar utilise seulement une étoile pour modéliser le ciel en se basant sur les informations données. Ceci vous permet de pointer les coordonnées d'objets brillants comme la Lune et les planètes et donne au NexStar les informations nécessaires pour suivre les objets en « altazimut » dans n'importe quelle partie du ciel. L'alignement sur une étoile n'est pas destiné à localiser précisément des objets du ciel profond petits et faibles ou pour suivre précisément des objets pour la photographie.

Pour utiliser l'alignement sur une étoile :

1. Sélectionnez One-Star Align dans les options d'alignement.
2. Appuyez sur ENTER pour accepter les données heure/localisation affichées à l'écran ou pressez UNDO pour saisir de nouvelles données.
3. Le message SELECT STAR 1 apparaîtra en haut de l'écran. Utilisez les touches de défilement Haut et Bas (10) pour sélectionner l'étoile que vous voulez utiliser comme première étoile d'alignement. Appuyez sur ENTER.
4. Le NexStar vous demandera ensuite de centrer l'étoile d'alignement choisie dans l'oculaire. Utilisez les flèches pour pointer l'instrument sur l'étoile d'alignement et centrez-la dans le chercheur. Pressez ENTER lorsqu'elle est centrée.
5. Puis, centrez l'étoile dans l'oculaire et appuyez sur ALIGN.
6. Une fois en position, le NexStar modélisera le ciel en se basant sur ces informations et affichera « Align Successful ».

Note : Une fois qu'un alignement sur une étoile a été réalisé, vous pouvez utiliser la fonction de re-alignement (expliqué ultérieurement dans ce chapitre) afin d'améliorer la précision de pointage de votre instrument.

● Alignement sur le système solaire (Solar System Align)

L'alignement sur le système solaire est conçu pour donner un suivi et une performance GoTo excellents en utilisant les objets du système solaire (Soleil, Lune et planètes) pour aligner votre lunette ou télescope. L'alignement sur le système solaire est un bon moyen d'aligner votre instrument pour l'observation diurne mais également un moyen rapide pour aligner celui-ci pour l'observation nocturne.



Ne regardez jamais directement le soleil à l'œil nu ou avec votre instrument (sans filtre solaire approprié). Des dommages oculaires permanents et irréversibles peuvent en résulter.

1. Sélectionnez Solar System Align dans les options d'alignement.
2. Pressez ENTER pour accepter les informations site/heure affichées à l'écran, ou pressez UNDO pour saisir de nouvelles informations.
3. Le message SELECT OBJET apparaîtra sur la ligne du haut sur l'écran. Utilisez les touches de défilement Up (Haut) et Down (Bas) (10) pour sélectionner l'objet diurne (planète, Lune ou Soleil) sur lequel vous souhaitez effectuer l'alignement. Pressez ENTER.
4. Le NexStar vous demande ensuite de centrer l'objet d'alignement sélectionné dans l'oculaire. Utilisez les flèches directionnelles pour déplacer votre lunette ou télescope vers l'objet d'alignement et centrer l'objet dans le chercheur. Pressez ENTER lorsqu'il est centré.
5. Ensuite, centrez l'objet dans l'oculaire et pressez ALIGN.

Une fois en position, le NexStar va modéliser le ciel en fonction de ces informations et affichera « Alignment Successful ».

➤ Conseils pour utiliser l'alignement sur le système solaire

- Pour des raisons de sécurité, le Soleil ne sera affiché dans aucune des listes d'objets de la raquette de commande, à moins de l'autoriser dans le « menu Utilities ». Pour que le Soleil soit affiché dans la raquette de commande :

1. Pressez UNDO jusqu'à ce que « NexStar SE » s'affiche.
2. Pressez le bouton MENU et utilisez les touches Up (Haut) et Down (Bas) pour sélectionner le *menu Utilities*. Pressez ENTER.
3. Utilisez les touches Up (Haut) et Down (Bas) pour sélectionner *Sun Menu* et pressez ENTER.
4. Pressez à nouveau ENTER pour permettre l'affichage du Soleil sur la raquette de commande.

Le Soleil peut être retiré de l'affichage en utilisant la même procédure.

Pour améliorer la précision de pointage de votre télescope, vous pouvez utiliser la fonction Re-Align comme expliqué ci-dessous.

➤ Alignements EQ Nord/EQ Sud

Les alignements équatoriaux assistent l'utilisateur dans l'alignement du télescope lorsqu'il est aligné au pôle sur une table équatoriale (intégrée dans NexStar 4 & 5 SE, en option pour les NexStar 6 et 8 SE). Semblable aux alignements Altazimutaux décrits auparavant, les alignements équatoriaux vous laissent le choix d'effectuer l'auto-alignement, l'alignement deux étoiles, l'alignement une étoile ou l'alignement système solaire.

● L'auto-alignement équatorial

Il utilise la même information heure locale en tant qu'alignements alt-azimutaux, cependant il requiert aussi que vous positionniez le tube pour que les marques repères de l'altitude soient alignées (voir figure 4-2), et que vous tourniez la base du télescope jusqu'à ce que le tube soit pointé face au Méridien (voir figure 4-3). Cette information prise en compte, le CPC pointera automatiquement les deux étoiles d'alignement choisies pour être centrées et alignées. Utilisation de l'auto-alignement équatorial :

1. Sélectionnez EQ North ou South Align dans les options d'alignement et appuyez sur Enter.
2. Appuyez sur Enter pour accepter l'information heure locale affichée sur l'écran, ou pressez UNDO pour entrer manuellement les informations Date/Heure.
3. Sélectionnez la méthode EQ AutoAlign et appuyez sur Enter.



Figure 4-2 – Marques repères

4. Utilisez les flèches pour déplacer le tube du télescope vers le haut jusqu'à ce que les marques repères en hauteur soient alignés. Les marques repères de l'altitude sont situées sur le dessus du bras fourche. Voir figure 4-2.
5. Utilisez les flèches gauche et droite pour déplacer la base du télescope jusqu'à ce que les bras fourche soient horizontalement parallèles et que le tube soit en face du Méridien.
6. A partir de cette information, le NexStar SE affichera automatiquement les étoiles qui conviennent le mieux situées au dessus de l'horizon. Appuyez sur Enter pour pointer automatiquement le télescope sur l'étoile choisie. Si pour quelques raisons vous ne souhaitez pas choisir une de ces étoiles (peut-être située derrière un arbre ou un immeuble), vous pouvez soit :
 - Appuyez sur UNDO pour afficher l'étoile qui convient le mieux pour l'alignement.
 - Utilisez les touches de défilement pour sélectionner manuellement l'étoile que vous souhaitez dans la liste.
7. Le NexStar SE vous demande ensuite de centrer dans l'oculaire l'objet choisi. Utilisez les flèches pour pointer le télescope sur l'objet d'alignement et centrez-le dans le chercheur. Appuyez sur Enter.
8. Puis, centrez l'objet dans l'oculaire et appuyez sur Align.
9. Une fois fait, le télescope pointera automatiquement une seconde étoile d'alignement. Répétez les étapes 6 et 7 pour compléter l'alignement.

● Alignement équatorial deux étoiles

L'alignement équatorial deux étoiles suit la plupart des étapes de l'alignement altazimutal deux étoiles. Cette méthode d'alignement ne requiert ni l'alignement des marques repères de l'altitude ni le pointage face au Méridien, mais il a besoin qu'on aligne le télescope sur deux étoiles lumineuses. Lors de la sélection des étoiles d'alignement, mieux vaut choisir des étoiles a) largement séparées en azimut et b) qui sont soit positives ou négatives en déclinaison. En suivant ces deux informations, l'alignement équatorial deux étoiles sera beaucoup plus précis.

● Alignement équatorial une étoile

L'alignement équatorial une étoile fonctionne de la même manière que l'alignement équatorial deux étoiles, cependant il dépend d'une seule étoile d'alignement pour aligner le télescope. Pour utiliser l'alignement équatorial une étoile, suivez les étapes 1 à 7 de la partie Auto-alignement équatorial.

● Alignement équatorial système solaire

Cette méthode d'alignement vous permet d'utiliser un seul objet du système solaire pour aligner en mode équatorial le télescope pour la vision de jour. Pour aligner votre télescope utilisant un objet du système solaire, suivez les étapes 1 à 7 de la partie Auto-alignement équatorial.

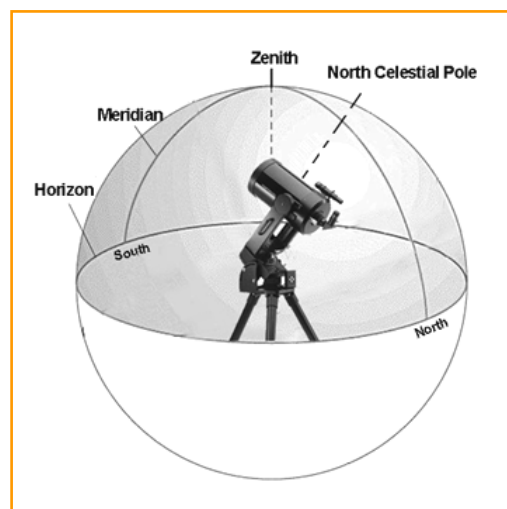


Figure 4-3 Le Méridien est une ligne imaginaire dans le ciel qui débute au Pôle Céleste Nord et se termine au Pôle Céleste Sud et passe au Zénith. Si vous êtes face au Sud, le Méridien part de l'Horizon Sud et passe directement par-dessus le Pôle Céleste Nord

● Augmenter la précision de pointage

Le NexStar a une fonction ré-alignement vous permettant de remplacer l'une ou l'autre des étoiles d'alignement par une nouvelle étoile ou un objet céleste. Ceci s'avère utile dans plusieurs situations :

- Si vous observez pendant plusieurs heures, vous constaterez que les deux étoiles d'alignement d'origine ont considérablement dérivé vers l'Ouest. (Rappelez-vous que les étoiles se déplacent de 15° par heure). Un alignement sur une nouvelle étoile située dans la partie Est du ciel améliorera la précision de votre pointage, particulièrement sur les objets de cette partie du ciel.
- Si vous avez aligné votre lunette ou télescope avec la méthode One-Star Align, vous pouvez utiliser la fonction *Re-align* pour ajouter un objet d'alignement. Ceci améliore la précision de pointage de l'instrument sans avoir à entrer d'autres informations.

Pour remplacer une étoile d'alignement par une autre :

- 1 - Sélectionnez l'étoile désirée (ou objet) dans la base de données et déplacez vous vers celle-ci.
- 2 – Centrez-la dans l'oculaire.
- 3 – Une fois centrée, appuyez sur la touche UNDO jusqu'à ce que vous soyez dans le menu principal.
- 4 - Quand l'écran indique « NexStar SE », appuyez sur la touche ALIGN de la raquette de commande.
- 5 - L'affichage demandera quelle étoile vous souhaitez remplacer.
- 6 - Utilisez les touches de défilement Up (Haut) et Down (Bas) pour sélectionner l'étoile d'alignement à remplacer, et pressez ENTER. Il est souvent préférable de remplacer l'étoile la plus proche du nouvel objet. Cela espacera vos étoiles d'alignement dans le ciel. Si vous avez utilisé une des méthodes d'alignement sur un seul objet, il est préférable de remplacer l'objet « non désigné » par un objet concret.
- 7 - Appuyez sur ALIGN pour valider le changement.

● Synchronisation (Sync)

La fonction Sync peut être utilisée pour améliorer la précision de pointage dans une zone précise du ciel. Cette fonction est vraiment utile, spécialement en l'utilisant avec les fonctions "Constellation Tour" et "Identify" avec lesquelles vous pouvez explorer même les plus petites zones du ciel. Pour synchroniser un objet :

1. Sélectionnez l'étoile désirée (ou l'objet) de la base de données et pointez sur celle-ci.
2. Une fois centrée, pressez sur le bouton UNDO jusqu'au retour dans le menu principal.
3. "NEXSTAR SE" va s'afficher, pressez sur la touche ALIGN sur la raquette de commande.
4. Utilisez les touches de défilement Haut et Bas et sélectionner l'option "Sync" et pressez sur ENTER.
5. Aligned l'objet "Sync" dans le centre du chercheur et pressez sur ENTER.
6. Centrez doucement l'étoile dans le centre de l'oculaire et pressez sur ALIGN.

La précision de pointage de votre télescope sera améliorée dans cette partie du ciel.

NOTE : La fonction "Sync" peut améliorer la précision de pointage de votre télescope dans de larges ou petites parties du ciel, mais cela dépendra de la qualité de l'alignement initial, le télescope pointera où la fonction "Sync" sera programmée.

● Annuler la synchronisation (UNDO Sync)

Puisqu'en effectuant la fonction "Sync", la précision de pointage n'est pas correcte pour les autres parties du ciel, il sera nécessaire de désactiver cette fonction. Effectuer un "Undo Sync" va restaurer le pointage de votre télescope à son alignement d'origine. En plus, si vous souhaitez ajouter des étoiles de calibrage ou des étoiles de re-alignement, la raquette vous demandera de faire un "Undo Sync" avant de procéder.

Catalogue de l'Objet

● Sélectionner un objet

A présent que votre instrument est correctement aligné, vous pouvez choisir un objet provenant de n'importe quel catalogue dans l'immense base de données du NexStar. La commande manuelle possède des touches (4) désignées pour chacun des catalogues de sa base de données. Il y a deux façons de choisir des objets dans la base de données : défiler à travers les listes de l'objet nommé et entrer les chiffres de l'objet.

- Presser la touche LIST (liste) de la commande manuelle vous donnera accès à tous les objets dans la base de données qui ont des noms ou des caractéristiques communs. Chaque liste se divise selon les catégories suivantes : Named Stars (Étoiles nommées), Named Objet (Objet nommé), Double Stars (Étoiles doubles), Variable Stars (Étoiles variables) et Asterisms (Astérismes). Choisir n'importe laquelle de ces options vous affichera une liste numérique alphabétique d'objets sous celle-ci. Pressez Up (Haut) et Down (Bas) (10) vous permet de défiler à travers le catalogue de l'objet désiré.
- Pressez n'importe quelle autre touche des catalogues (4) ; M, CALD, NGC ou STAR (Étoile)) vous affichera un curseur clignotant sous le nom du catalogue choisi. Utilisez la touche numérique pour entrer le chiffre de n'importe quel objet à l'intérieur de ces catalogues standardisés. Par exemple, pour trouver la Nébuleuse Orion, pressez la touche « M » et entrez « 042 ».
- Pressez le bouton PLANET qui va vous permettre d'utiliser les touches de défilement Up et Down (10) pour défiler et sélectionner les 8 planètes comme la Lune.

Lorsque vous faites défiler une longue liste d'objet, maintenir appuyée soit la touche Up (Haut) soit la touche Down (Bas) vous permettra de défiler à travers le catalogue à une vitesse rapide.

Lors de la saisie d'un chiffre pour une étoile SAO, il vous suffit seulement d'entrer les 4 premiers chiffres du numéro SAO de l'objet, qui en comprend 6. Une fois que les 4 premiers chiffres sont saisis, la raquette de commande listera automatiquement les objets SAO disponibles commençant par ces chiffres. Cela vous permet de faire défiler la liste d'étoiles SAO de la base de données. Par exemple, si vous cherchez l'étoile SAO 40186 (Capella), les 4 premiers chiffres seraient "0401". Lorsque vous entrez ce numéro, les objets SAO disponibles de la base de données commençant par ces chiffres seront affichés. A partir de là, vous pouvez faire défiler la liste et choisir l'objet souhaité.

● Pointer un objet

Une fois que l'objet désiré est affiché sur l'écran de la commande manuelle, vous avez deux options :

- **Appuyez sur INFO.** Cela vous donnera des informations utiles sur l'objet sélectionné comme la magnitude, la constellation et des faits fascinants pour de nombreux objets.

- **Appuyez sur ENTER.** Ceci fera pivoter automatiquement votre lunette ou télescope sur les coordonnées de l'objet. Pendant que l'instrument se dirige vers l'objet, vous pouvez accéder aux nombreuses fonctions de la raquette de commande (juste pour afficher des informations à propos de l'objet).

Si vous pointez un objet placé en-dessous de l'horizon, votre raquette vous informera que vous avez sélectionné un objet qui est en dehors des limites de pointage (voir Limites de Pointage dans le chapitre Fonctions de réglage du télescope de cette notice). Pressez UNDO pour revenir en arrière et sélectionnez un nouvel objet. Pressez ENTER pour ignorer le message et continuer le déplacement. La raquette de commande NexStar affichera les objets situés en-dessous de l'horizon uniquement si les limites du filtre (Filter Limits) ont un réglage de la latitude inférieur à 0°. Voir Filter Limits (Limites du Filtre) dans le chapitre Fonctions de réglage de l'instrument de cette notice pour plus d'informations sur ce réglage.

Attention : Ne jamais faire pointer l'instrument lorsqu'une personne est en train de regarder dans l'oculaire. Il peut, en effet, bouger à une vitesse de rotation très rapide risquant de blesser l'œil d'un observateur.

Les informations sur l'objet peuvent être obtenues sans avoir à réaliser un alignement d'étoiles. Une fois que votre lunette ou télescope est mis sous tension, presser n'importe quelle touche du catalogue vous permet de défiler à travers les listes d'objet ou d'entrer les chiffres du catalogue et voir les données sur l'objet comme décrit ci-dessus.

● Trouver les planètes

Le NexStar peut localiser les 8 planètes de notre système solaire plus la Lune et le Soleil. Cependant, la raquette de commande affichera seulement les objets du système solaire qui sont au-dessus de l'horizon (ou dans ses limites du filtre). Pour localiser les planètes, pressez la touche PLANET (Planète) sur la raquette de commande. Elle affichera tous les objets du système solaire qui sont au-dessus de l'horizon :

- Utilisez les touches de défilement **Up and Down** (Haut et Bas) pour sélectionner la planète que vous souhaitez observer.
- Appuyez sur **INFO** pour accéder aux informations de la planète affichée.
- Appuyez sur **ENTER** pour pointer la planète affichée.

Pour autoriser l'affichage du Soleil comme option dans la base de données, voir *Sun Menu* dans la partie Fonctions Utilitaires de ce manuel.

● Mode Tour

Le NexStar comprend une fonction Tour qui vous permet de choisir automatiquement à partir d'une liste d'objets intéressants basée sur la date et l'heure auxquelles vous observez. Le Tour automatique affichera seulement les objets compris dans les limites du filtre définies. Pour activer le mode Tour, pressez la touche TOUR sur la raquette de commande. Le NexStar affichera les meilleurs objets à observer qui sont actuellement dans le ciel.

- Pour voir l'information ou la base de données sur les objets affichés, pressez la touche INFO.
- Pour faire pivoter sur l'objet affiché, pressez la touche ENTER (Entrée).
- Pour voir le prochain tour de l'objet, pressez la touche de défilement Down (Bas)

● Constellation Tour

En plus du Mode Tour, votre instrument possède un menu « Constellation Tour » qui permet à l'utilisateur de voir tous les meilleurs objets à l'intérieur d'une constellation. Sélectionner *Constellation* dans le menu LIST affichera tous les noms des constellations qui sont au-dessus de l'horizon défini par l'utilisateur (Limites du filtre). Une fois qu'une constellation est sélectionnée, vous pouvez choisir parmi tous les catalogues de la base de données d'objets pour produire une liste de tous les objets disponibles dans cette constellation.

- Pour voir l'information et les données sur les objets affichés, pressez la touche INFO.
- Pour pointer l'objet affiché, pressez ENTER.
- Pour voir le prochain objet de la fonction Tour, pressez la touche de défilement Up (Haut).

Boutons de direction (3)

Le NexStar possède 4 boutons de direction au centre de la commande manuelle qui contrôle le mouvement de l'instrument en hauteur (Up et Down – haut et bas) et azimut (Left and Right – gauche et droite). Votre instrument peut être contrôlé à 9 vitesses différentes.

1 = 2x	6 = .5°/sec
2 = 4x	7 = 1°/sec
3 = 8x	8 = 2°/sec
4 = 16x	9 = 4°/sec
5 = 32x	

Neuf vitesses disponibles

● Bouton de vitesse

Le fait d'appuyer sur la touche RATE (Vitesse) (11) vous permet de changer la vitesse des moteurs instantanément en passant d'une grande vitesse de rotation à une vitesse précise de guidage ou n'importe où entre temps. Chaque vitesse correspond à un chiffre sur la touche de la commande manuelle. Le chiffre 9 représentant la vitesse la plus rapide (environ 4° par seconde, qui dépend de la source d'alimentation) est utilisé pour la rotation entre des objets et le lieu d'alignement des étoiles. Le chiffre 1 sur la commande manuelle représentant la vitesse la plus lente (2x sidéral) peut être utilisé pour un centrage précis des objets dans l'oculaire. Pour changer la vitesse des moteurs :

- Appuyez sur la touche RATE (Vitesse) sur la commande manuelle. L'écran digital LCD va afficher la vitesse actuelle.
- Entrez le chiffre sur la commande manuelle qui correspond à la vitesse désirée.

La commande manuelle possède un « double button » (bouton double) qui vous permet instantanément d'accélérer la vitesse des moteurs sans avoir à choisir une vitesse. Pour utiliser cette caractéristique, appuyez simplement sur le bouton fléché qui correspond à la direction où vous voulez bouger l'instrument. Tout en maintenant le bouton enfoncé, appuyez sur le bouton directionnel opposé. Ceci augmentera la vitesse de pointage au maximum.

Procédures d'installation

Le NexStar comporte de nombreuses fonctions d'installation que vous pouvez programmer désignées pour vous donner un contrôle sur la plupart des caractéristiques avancées de l'instrument. Vous pouvez avoir accès à toutes les caractéristiques utilitaires d'installation en pressant la touche MENU et en défilant à travers les options :

● Mode de poursuite (Tracking Mode)

Une fois que le NexStar est aligné, les moteurs de suivi se mettront en fonctionnement et commenceront le suivi du ciel. Cependant, le suivi peut être éteint pour une utilisation terrestre :

Alt-Az	C'est la vitesse de poursuite par défaut qui est utilisée lorsque l'instrument a été correctement aligné.
EQ North	Configuration pour compenser le mouvement diurne quand l'instrument est aligné sur l'Etoile polaire Nord grâce à une table équatoriale dans l'Hémisphère Nord.
EQ South	Configuration pour compenser le mouvement diurne quand le télescope est aligné sur l'Etoile polaire Sud grâce à une table équatoriale dans l'Hémisphère Sud.
Off (Eteindre)	Pour une observation terrestre (terre), la poursuite peut être éteinte afin que votre instrument reste immobile.

Note : Les modes de suivi EQ North et EQ South sont seulement nécessaires avec des instruments pouvant être alignés sur l'Etoile polaire. Les NexStar SE sont des instruments à monture « Altazimut » et ne nécessitent pas de suivi équatorial.

● Vitesse de poursuite (Tracking Rate)

De plus, pour pouvoir bouger l'instrument avec les boutons de la commande manuelle, le NexStar suivra continuellement les objets célestes puisqu'ils bougent continuellement dans le ciel nocturne. La vitesse de la poursuite peut être modifiée en fonction du type de l'objet observé :

Sidereal (Sidéral)	Cette vitesse compense la rotation de la terre en déplaçant l'instrument à la même vitesse que la rotation de la terre, mais dans la direction opposée. Quand l'instrument est aligné en polaire, ceci peut être effectué en bougeant l'instrument en Ascension Droite uniquement. Quand vous sélectionnez le mode Alt-Az, l'instrument doit faire les corrections aussi bien en ascension droite qu'en déclinaison.
Lunar (Lunaire)	Utilisée pour la poursuite de la Lune lorsque vous observez celle-ci.
Solar (Solaire)	Utilisée pour la poursuite du Soleil lorsque vous observez celui-ci, en utilisant bien sûr un filtre solaire approprié.

● Visualiser Heure/Localisation (View Time-Site)

Ceci affichera les dernières données sauvegardées d'heure et de longitude/latitude saisies dans la raquette de commande.

● Les objets programmés par l'utilisateur (User Defined Objects)

Le NexStar peut stocker dans sa mémoire jusqu'à 50 objets différents que vous aurez programmés. Ils peuvent être des objets de paysage de jour ou un objet céleste intéressant que vous découvrirez et qui n'est pas inclus dans la base de données habituelle. Il y a plusieurs façons de sauvegarder un objet en mémoire, tout dépend de quel type d'objet il s'agit :

Save Sky Object

(Sauvegarder un objet céleste)

Le NexStar stocke des objets célestes dans sa base de données en sauvegardant son ascension droite et sa déclinaison dans le ciel. C'est de cette manière que vous pouvez trouver le même objet à chaque fois que l'instrument est aligné. Une fois l'objet désiré centré dans l'oculaire, faites défiler simplement la commande « Save Sky Obj » et pressez la touche ENTER (Entrée). L'affichage vous demandera d'entrer un chiffre entre 1 et 25 pour identifier l'objet. Pressez à nouveau la touche ENTER pour sauvegarder et objet dans la base de données.

Save Database Object

(Sauvegarder un objet de la base de données)

Cette fonction vous permet de créer votre propre tour des objets de la base de données en vous permettant d'enregistrer la position actuelle de votre lunette ou télescope et de sauvegarder le nom de l'objet en le sélectionnant parmi tous ceux des catalogues de la base de données. Vous pouvez ensuite accéder à ces objets en sélectionnant *GoTo Sky Object*.

Save Land Object

(Sauvegarder un objet terrestre)

Le NexStar peut aussi être utilisé comme une longue-vue terrestre sur des objets terrestres. Des objets terrestres fixes peuvent être stockés en sauvegardant leur hauteur et l'azimut relatifs à la localisation de l'instrument au moment de l'observation. Ils sont seulement valables pour ce lieu précis. Pour sauvegarder des objets terrestres, une fois encore centrez l'objet désiré dans l'oculaire. Faire défiler vers le bas jusqu'à la commande « Save Land Obj » et pressez la touche ENTER. L'affichage vous demandera d'entrer un chiffre entre 1 et 25 pour identifier l'objet. Pressez à nouveau la touche ENTER (Entrée) pour sauvegarder cet objet dans la base de données.

Enter R.A. – Dec

(Entrer AD - Dec)

Vous pouvez, également, stocker une série de coordonnées pour un objet en entrant simplement l'ascension droite et la déclinaison pour cet objet. Faire défiler jusqu'à la commande « Enter RA-DEC » et pressez la touche ENTER. L'affichage vous demandera d'entrer tout d'abord l'ascension droite et ensuite la déclinaison de l'objet désiré.

GoTo object

(Se rendre à l'objet)

Pour se rendre à n'importe quel objet programmé par l'utilisateur stocké dans la base de données, faire défiler vers le bas jusqu'à « GoTo Sky Obj » ou « GoTo Land Obj », entrer le chiffre de l'objet que vous désirez sélectionner, puis presser la touche ENTER. Le télescope retrouvera et affichera automatiquement les coordonnées avant de pointer l'objet. Pour changer le contenu des objets programmables, sauvegardez simplement un nouvel objet en utilisant un des chiffres existants d'identification : le NexStar remplacera le précédent objet programmé par le nouveau.

● Photographie (Fonction sur la raquette NexStar 4 et 5 SE uniquement)

La monture NexStar possède une fonction Photographie qui vous permet des prendre des séries de photos en utilisant votre appareil photo numérique. Cette fonction est complétée avec un assistant photographie (Camera Wizard) qui vous permet de sauvegarder une liste de 9 cibles. Puis avec un appareil photo reflex numérique

assemblé sur l'instrument monté ou sur le support parallèle monté sur le télescope, le Nexstar va automatiquement pointer sur les cibles enregistrées et faire une photographie longue exposition sur chacune d'entre elles.

Assemblage d'un appareil photo sur la monture NexStar :

La monture du Nexstar possède un port contrôle photo qui permet la connexion de l'appareil photo en utilisant le câble obturateur fourni avec l'instrument ainsi que le câble fourni avec votre appareil photo. Pour connecter l'appareil photo :

1. Insérez la prise jack du câble obturateur dans le port appareil photo sur la base de la monture.
2. Branchez la prise jack de 2.5 mm du câble de votre appareil photo sur le câble obturateur
3. Branchez le câble de l'appareil photo dans le port de votre appareil photo

Pour une description plus précise, référez vous à la section "Bases de l'Astronomie".

Fonctions de l'appareil photo :

Assistant photo (Camera Wizard) : cette fonction est la façon la plus rapide pour une séquence d'imagerie et photographie longue exposition. L'assistant vous demandera de pointer le télescope sur 9 objets. Après avoir sélectionné ces 9 objets, il vous demandera l'ordre dans lequel vous souhaitez voir ces objets défiler (pour des raisons de sécurité du monitoring) ou si vous souhaitez stopper ce défilement après les 9 objets.

Pour utiliser l'assistant :

1. Dans le menu principal, pressez dans le bouton Menu puis sélectionnez l'option photographie (Camera option).
2. Sélectionnez l'option "Camera Wizard" et pressez sur Enter
3. La raquette de commande va vous demander de pointer le télescope vers les objets que vous souhaitez photographier. Centrez doucement l'objet souhaité dans l'oculaire ou dans le champ de vision de l'appareil photo. Validez le choix en appuyant sur Enter.
4. Répétez la procédure ci-dessus pour les 9 objets différents ou pressez UNDO après que le dernier objet ait été centré.
5. Utilisez les touches de défilement haut et bas pour sélectionner si vous souhaitez arrêter la séquence d'imagerie dès que le dernier objet a été photographié ou si vous voulez démarrer une séance de photographies longue exposition ou alors, si vous voulez recommencer et redémarrer la séquence d'exposition.
6. Pressez sur Enter si vous souhaitez démarrer la séquence d'exposition ou pressez UNDO si vous souhaitez effectuer les entrées d'objet individuelles.

Prendre des photographies (Take Exposure) : Cette option démarre la séquence d'imagerie. Vous pouvez à tout moment taper sur UNDO pour arrêter la séance.

"Edit Entries" : Cette fonction peut être utilisée pour voir, ou additionner des objets dans la liste créée par l'assistant. Vous pouvez défiler dans cette liste d'objets et sélectionner les paramètres que vous souhaitez voir.

Chaque entrée possède les mêmes attributs :

Type d'objets :

Objet du ciel : Sauvegarde l'objet comme objet du ciel défini par l'utilisateur :

- *Objet terrestre (Land object)* : Sauvegarde l'objet comme objet terrestre défini par l'utilisateur
- Note : si le télescope a été aligné lorsque la liste d'objets a été créée, l'assistant enregistrera automatiquement les nouveaux objets en objets du ciel. Si le télescope n'est pas aligné, les objets seront sauvegardés comme objets terrestres.

- *No change* : Le type d'objet "No Change" est utilisé lorsque vous voulez prendre une autre photo du même objet, mais avec un temps d'exposition différent. Cela évite au télescope de re-pointer sur le même objet lorsque que seulement les temps d'exposition ont été changés.

- *Empty* : Ce terme indique qu'il n'y a pas d'objet sauvegardé pour cette entrée. Si le type d'objet est changé en "Empty", l'information pour cette entrée sera effacée.

Numéro Objet (pour objets du ciel et terrestres): Même si l'assistant vous permet la sauvegarde de seulement 9 objets, il y a 25 espaces attribués dans lesquels vous pouvez sauvegarder vos propres entrées additionnelles. Par exemple, si vous avez déjà des les objets définis par l'utilisateur sauvegardés dans la mémoire, vous pouvez sélectionner le numéro de l'objet et sa position sera également sauvegardée dans votre séquence imagerie.

Repeat Count : Vous permet de donner le nombre d'expositions par objet.

Temps d'exposition (Exposure Time) : Cette fonction vous permet de donner la durée de chaque exposition en secondes.

Expositions longues – Pour prendre une exposition de plus d'une seconde, votre appareil photo doit être installé avec le réglage "Bulb". Puis l'appareil pourra prendre une exposition du temps enregistré dans la raquette de commande.

Snapshots : Si vous voulez prendre une image d'une seconde ou moins, votre appareil photo doit être en mode normal et la valeur du temps d'exposition sur la raquette de commande doit être de 1. Lorsque cette valeur est à 1, la caméra va se mettre par défaut au mode "Snapshots" et prendra un temps d'exposition de la durée du temps déterminé par votre appareil photo.

Intervalle entre les expositions (Exposure Delay) : Cette fonction vous permet de rentrer un temps d'intervalles entre chaque exposition.

Fin de séquence (Sequence End) : Cette option vous permet de définir si vous souhaitez répéter la séquence d'imagerie ou stopper lorsque la dernière entrée a été effectuée.

● Obtenir AD-DEC (Get RA/DEC)

Cette fonction affiche l'ascension droite et la déclinaison de la position actuelle de l'instrument.

● Se rendre à AD-DEC (Goto R.A/Dec)

Cette fonction vous permet d'introduire une ascension droite spécifique et une déclinaison et de pivoter dessus.

● Identification (Identify)

Le *mode Identify* recherchera tous les catalogues ou listes dans la base de données du NexStar, affichera le nom et compensera les distances par rapport aux objets correspondants les plus proches. Cette fonction a un double emploi. Premièrement, elle peut être utilisée pour identifier un objet inconnu dans le champ de vision de votre oculaire. Puis, ce mode peut être utilisé pour trouver d'autres objets célestes qui sont proches des objets que vous observez actuellement. Par exemple, si votre instrument est pointé sur l'étoile la plus brillante de la constellation Lyra, choisir *Identify* puis chercher le catalogue *Named Stars* (Etoiles nommées) va sans doute retourner sur l'étoile Véga comme l'étoile que vous observez. Cependant en sélectionnant *Identify* et en cherchant par les catalogues *Named Objects* ou *Messier*, la raquette de commande vous informera que la nébuleuse planétaire M 57 est à approximativement 6° de votre position actuelle. La recherche du catalogue Double Star révélera que Epsilon Lyra est à seulement 1° de Véga. Pour utiliser la fonction *Identify* :

- Pressez le bouton MENU et sélectionnez l'option « Identify ».
- Utilisez les touches de défilement Haut et Bas pour sélectionner le catalogue dans lequel vous voulez effectuer la recherche.
- Pressez ENTER pour commencer la recherche.

Note : Certaines des bases de données contiennent des milliers d'objets, et peuvent prendre une à deux minutes pour retourner à l'objet le plus proche.

● Go-To Précis (Precise Go-To)

Le NexStar possède une fonction Precise Go-To qui vous assiste pour trouver des objets extrêmement pâles proches du centre du champ de vision pour une vision de meilleure qualité ou pour faire de l'astrophotographie. Cette fonction cherche automatiquement les étoiles les plus brillantes et proches de l'objet souhaité et demande à l'utilisateur de le centrer doucement dans l'oculaire. La raquette de commande calcule ensuite la petite différence entre sa position Go-To et sa position centrée. En utilisant cette compensation, le télescope va ensuite pointer sur l'objet souhaité avec une meilleure précision. Pour utiliser Precise Go-To :

1. Appuyez sur le bouton Menu et utilisez les touches de défilement Haut et Bas pour sélectionner Precise Go-To.
 - * Choisissez Database pour sélectionner l'objet que vous souhaitez observer de la base de données catalogue
 - * Choisissez RA/DEC pour entrer un groupe de coordonnées célestes sur lequel vous souhaitez pointer.
2. Une fois que l'objet souhaité est sélectionné, la raquette de commande cherchera et affichera l'étoile brillante la plus proche de votre objet. Pressez Enter pour pointer sur l'étoile brillante d'alignement.
3. Utilisez les touches de direction pour centrer doucement l'étoile d'alignement dans l'oculaire.

Pressez Enter pour pointer sur l'objet.

Paramétrage de l'instrument

● Réglage Heure-Site (Setup Time-Site)

Permet à l'utilisateur de personnaliser l'affichage du NexStar en changeant les paramètres d'heure et de lieu (comme le fuseau horaire et les sauvegardes de l'heure d'été).

● Anti-backlash (Retard dans le mouvement inverse)

Tous les mouvements mécaniques ont un certain taux de backlash ou de jeu entre eux. Cet effet est évident par le temps qu'une étoile met à se déplacer dans l'oculaire lorsque les flèches de la raquette de commande sont pressées, particulièrement lors de changement de direction.

L'anti-backlash du NexStar vous permet de compenser le backlash en introduisant une valeur qui fera tourner rapidement les moteurs juste assez pour éliminer le jeu entre les mécanismes. La quantité de compensation nécessaire dépend de la vitesse de rotation sélectionnée : plus lente est la vitesse de rotation, plus longue sera l'attente de l'apparition de l'étoile à bouger dans l'oculaire. Par conséquent, la compensation de l'anti-backlash devra être établie de manière plus élevée. Vous aurez besoin d'effectuer différentes valeurs : une valeur entre 20 et 50 est généralement meilleure pour la plupart des observations visuelles, tandis qu'une valeur plus élevée peut s'avérer nécessaire pour un guidage photographique.

La compensation positive de backlash est mise en œuvre lorsque la monture change de direction de mouvement de l'arrière vers l'avant. De la même façon, la compensation négative de backlash est mise en œuvre lorsque la monture change de direction de mouvement de l'avant vers l'arrière. Lorsque le suivi est activé, la monture bougera sur un ou deux axes dans la direction positive ou négative, donc la compensation de backlash sera toujours appliquée lorsqu'un bouton de direction est relâché et la direction de déplacement est l'opposée du mouvement de la direction de déplacement.

Pour entrer une valeur anti-backlash, faites défiler vers le bas l'option anti-backlash et pressez la touche ENTER (Entrée). Entrez une valeur de 0 à 100 aussi bien pour l'azimut que pour la hauteur et pressez la touche ENTER après chacune d'elle pour sauvegarder ces valeurs. Le NexStar se souviendra de ces valeurs et les utilisera à chaque fois qu'il est allumé jusqu'à ce qu'elles soient changées.

● Limites de Pointage (Slew Limits)

Ceci règle les positions dans lesquelles l'instrument peut se déplacer sans afficher de message d'avertissement. Les limites de pointage empêchent le tube de la lunette ou du télescope de pointer un objet situé sous l'horizon ou un objet qui est haut et où le tube pourrait heurter l'une des jambes du trépied. Cependant, les limites de pointage peuvent être modifiées selon les besoins. Par exemple, si vous voulez pointer un objet proche du zénith et que vous êtes certain que le tube ne heurtera pas une des jambes du trépied, vous pouvez régler les limites de pointage à 90° en latitude. Cela permettra à votre instrument de pointer tout objet situé au-dessus de l'horizon sans qu'aucun message d'avertissement ne s'affiche.

● Filtrer les hauteurs limites (Filter Limits)

Quand l'alignement est terminé, le NexStar sait automatiquement quels objets célestes se trouvent au-dessus de l'horizon. Ainsi, quand vous faites défiler les listes de la base de données (ou sélectionnez le mode *Tour*), la raquette de commande du NexStar affichera seulement les objets situés au-dessus de l'horizon lorsque vous observez. Vous pouvez personnaliser la base de données d'objets en sélectionnant les limites de hauteur appropriées à votre position géographique. Par exemple, si vous observez depuis une zone montagneuse où l'horizon est partiellement confus, vous pouvez régler la limite minimum de hauteur à +20°. Cela vous assurera que la raquette de commande n'affiche que des objets situés à plus de 20° de hauteur.



Si vous voulez explorer complètement la base de données d'objets, entrez la limite maximum de hauteur à 90° et la limite minimum à - 90°. Cela affichera tout objet des listes de la base de données même s'il n'est pas visible dans le ciel de votre lieu d'observation.

● Boutons de direction (Direction Buttons)

Le sens de déplacement d'une étoile dans l'oculaire varie en fonction des accessoires utilisés. Cela peut être gênant lors du suivi lors de l'utilisation d'un diviseur optique par rapport à l'observation directe de la lunette guide. Pour compenser cela, la direction des touches de commande peut être changée. Pour inverser la logique des touches de la raquette de commande, appuyez sur la touche MENU et sélectionnez *Direction buttons* dans le menu Utilities. Utilisez les flèches Up/Down (Haut/Bas) (10) pour sélectionner les touches en azimut (gauche-droite) ou en latitude (haut-bas) et appuyez sur ENTER. Presser de nouveau ENTER inversera la direction des touches de la raquette de commande par rapport à celle réglée jusqu'à présent. Les « Direction Buttons » n'affectent que les vitesses de l'oculaire (1-6) pas celles de pointage (7-9).

● Approche GO-TO (Goto Approach)

Permet à l'utilisateur de définir la direction dans laquelle l'instrument va se diriger lorsqu'il pointe un objet. Cela donne à l'utilisateur la possibilité de minimiser les effets du backlash. Par exemple, si votre instrument est lourd sur l'arrière lorsque vous lui avez fixé des accessoires optiques ou photographiques, vous devrez mettre votre approche de hauteur en direction négative. Cela assurera que l'instrument approche toujours un objet de la direction opposée à la charge qui tire sur l'instrument. De même, si vous utilisez le télescope aligné sur la Polaire, vous devrez mettre votre approche azimut dans la direction qui permet au télescope de compenser à différents niveaux de chargement des moteurs et des roues dentées lorsque vous pointez dans différentes parties du ciel.

Pour changer la direction de l'approche GO-TO, choisissez *Goto Approach* dans le menu *Scope Setup*, sélectionnez soit l'approche en latitude ou en azimut, choisissez positive ou négative et pressez ENTER.

● Sécurité cordon (Cordwrap)

Cette sécurité empêche votre lunette ou télescope de pointer à plus de 360° en azimut et d'enrouler les câbles accessoires autour de la base de l'instrument. Ceci est utile lorsque l'instrument est alimenté en utilisant une source d'alimentation externe. Par défaut, cette fonction est éteinte lorsque l'instrument est aligné en « altazimut » et allumée lorsqu'il est aligné sur une table équatoriale.

Fonctions utilitaires

En défilant à travers les options du MENU, vous aurez aussi accès à plusieurs fonctions utilitaires avancées sur votre lunette ou télescope.

● Table équatoriale

Cet accessoire est seulement pour les NexStar 4 et 5SE, le NexStar possède deux modes d'alignement sur table équatoriale (un pour l'Hémisphère Nord et un pour l'Hémisphère Sud), qui vont vous aider à aligner votre télescope sur la Polaire lors de l'utilisation de la table équatoriale. (Voir section "Bases de l'astronomie").

● Marche/Arrêt GPS (GPS On/Off)

Cette fonction est uniquement disponible lorsque vous utilisez votre instrument avec l'accessoire GPS CN 16. Cela vous permet d'éteindre le module GPS. Si vous voulez utiliser la base de données du NexStar pour trouver les coordonnées d'un objet céleste pour une date prochaine vous devrez éteindre le module GPS pour entrer manuellement une date et un lieu autre que celles déjà saisies.

● Réglage luminosité (Light control)

Pour éteindre le clavier lumineux et l'affichage LCD, pour préserver votre vision nocturne et pour économiser de l'énergie en utilisation diurne

● Réglage usine (Factory Setting)

permet de ré-initialiser votre raquette de commande aux paramètres d'origine. Des paramètres comme les valeurs de compensation du backlash, heure et date initiales, longitude/latitude ainsi que les limites de pointage et du filtre seront ré-initialisées. Cependant, les paramètres enregistrés tels que la correction d'erreur périodique et les objets définis par l'utilisateur resteront sauvegardés même si le *Factory Settings* est sélectionné. La raquette de commande vous demandera d'appuyer sur "0" avant de retourner aux réglages usine par défaut.

● Version

Sélectionner cette option vous permettra de voir le numéro de version actuelle de votre raquette de commande et du logiciel de commande du moteur. Le premier groupe de nombres indique la version du logiciel de la raquette de commande. Pour la commande du moteur, la raquette de commande affichera deux groupes de nombres ; les premiers étant pour l'azimut et les seconds pour la latitude.

● Obtenir Alt-Az (Get Alt-Az)

Affiche la hauteur et l'azimut relatifs pour la position actuelle de l'instrument.

● Se rendre à Alt-Az (GoTo Alt-Az)

Vous permet d'entrer une position spécifique en hauteur et en azimut et de pointer celle-ci.

● Hibernate

Hibernate permet à votre instrument d'être complètement éteint tout en sauvegardant l'alignement lorsqu'il est éteint. Cela économise non seulement de l'énergie mais est également pratique pour les utilisateurs qui gardent leur instrument monté en permanence ou qui laissent le laisse au même endroit pendant une longue période. Pour mettre votre instrument en mode Hibernate :

1. Sélectionnez Hibernate dans le menu Utility.
2. Déplacez votre instrument dans la position souhaitée et pressez ENTER.
3. Eteignez votre instrument. Rappelez-vous que vous ne devez pas déplacer votre lunette ou télescope manuellement lorsqu'il est en mode Hibernate. Une fois que l'instrument est de nouveau mis sous tension, Wake Up (Réveiller) s'affichera. Après avoir appuyé sur ENTER, vous avez la possibilité d'accéder aux informations Heure/Localisation (Time/Site) pour confirmer le réglage actuel. Pressez ENTER pour réveiller ("Wake Up") l'instrument.



Presser UNDO lorsque l'écran affiche Wake Up vous permet d'explorer les nombreuses fonctions de la raquette de commande sans réveiller votre instrument du mode Hibernate. Pour le réveiller après avoir appuyé sur UNDO, sélectionnez Hibernate dans le menu Utility et pressez ENTER. N'utilisez pas les boutons de direction pour déplacer l'instrument lorsqu'il est en mode Hibernate.

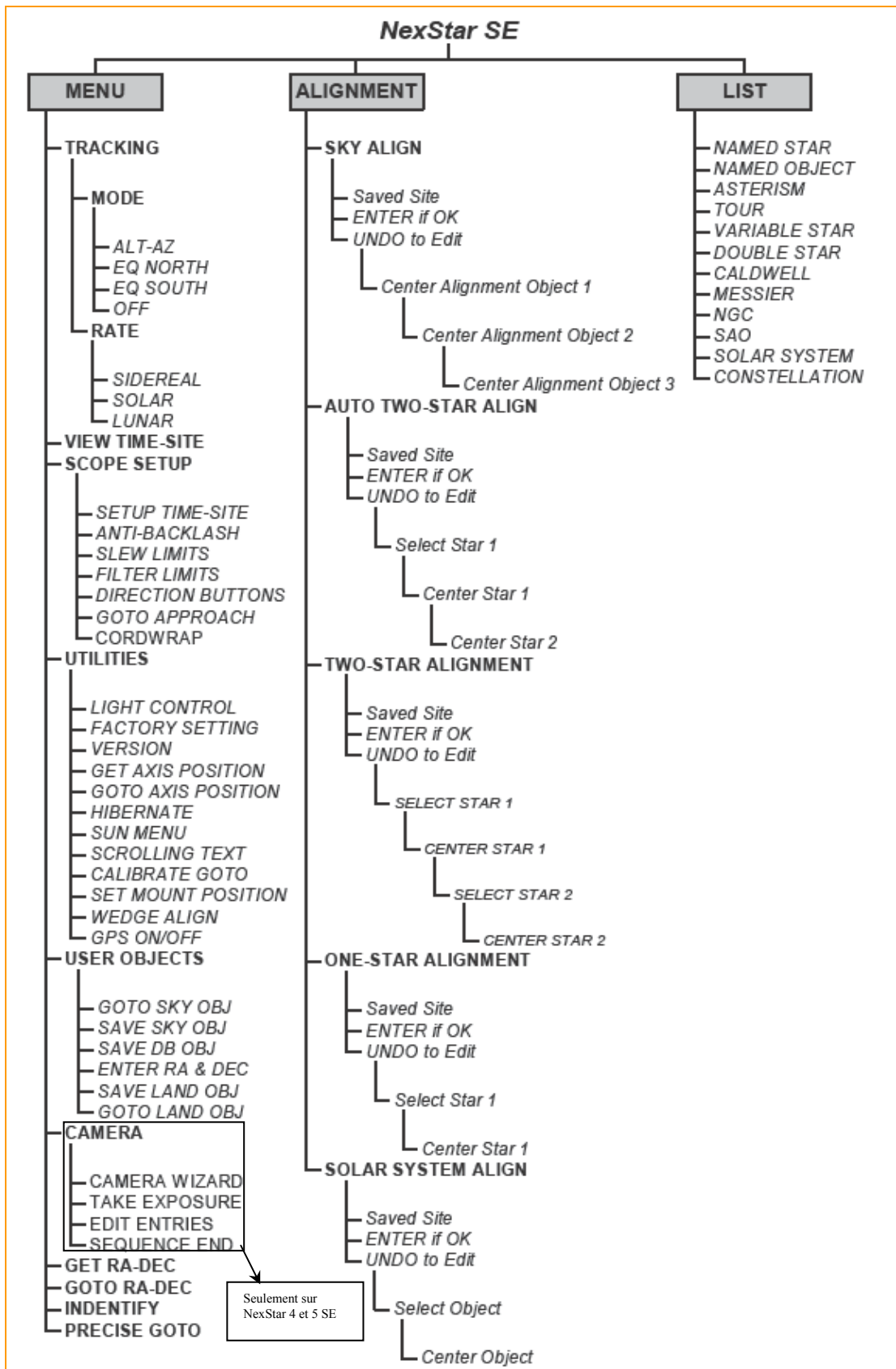
● Menu Soleil (Sun Menu)

Pour des questions de sécurité, le Soleil n'est pas affiché comme objet dans la base de données à moins de permettre son affichage. Pour ce faire, allez dans Sun Menu et appuyez sur ENTER. Le Soleil sera alors affiché dans le catalogue « Planets » et pourra être utilisé comme objet d'alignement pour la méthode d'alignement sur le système solaire. Pour retirer le Soleil des choix possibles, sélectionnez Sun Menu dans le menu Utilities et pressez ENTER.

● Vitesse du menu défilant (Scrolling Menu)

Ce menu vous permet de changer la vitesse de défilement du texte sur l'écran de la raquette de commande :

- Appuyez sur Up (6) pour augmenter la vitesse.
- Appuyez sur Down (9) pour la diminuer.



Le schéma ci-dessus est une arborescence du Menu
montant les sous-menus associés aux fonctions primaires

L'ESSENTIEL DE VOTRE INSTRUMENT

Le télescope est un instrument qui collecte et concentre la lumière. La nature du modèle optique détermine la manière dont est collectée la lumière. Certains instruments, connus comme réfracteurs utilisent des lentilles. Le système optique Schmidt-Cassegrain utilise une combinaison de miroirs et lentilles. Ce modèle unique offre des optiques de large diamètre tout en comprenant un tube de longueur très courte, les rendant vraiment portables. Le système Schmidt-Cassegrain est composé d'une lame optique asphérique, un miroir primaire sphérique, et un miroir secondaire. Les rayons de la lumière qui entrent dans le système optique traversent la longueur du tube optique trois fois.

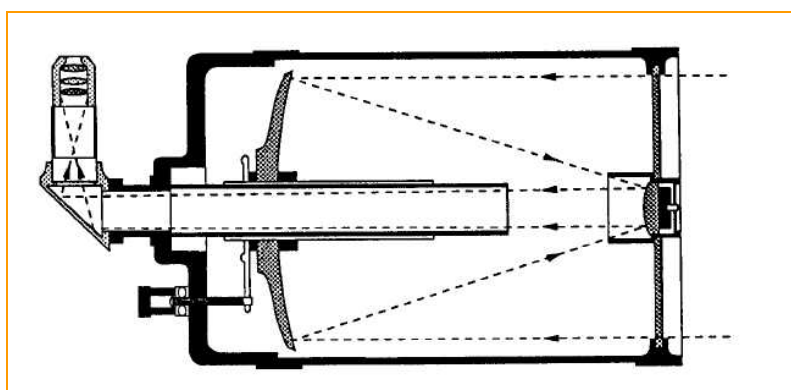


Figure 3-1
Coupe du chemin lumineux du système optique Schmidt-Cassegrain

Les optiques du NexStar ont un traitement Starbright XLT – rehaussés de dépôts de plusieurs épaisseurs sur les miroirs primaire et secondaire pour une réflexion accrue et un traitement anti-reflet sur la lame de fermeture pour augmenter le contraste.

A l'intérieur du tube optique, un tube noir prolonge le trou central du miroir primaire. C'est le tube déflecteur primaire qui empêche les lumières parasites.

● Orientation de l'image

L'orientation de l'image change selon la position du renvoi coudé et de l'oculaire dans le télescope. Lorsque vous utilisez le renvoi coudé, l'image est droite de haut en bas, mais inversée de gauche à droite. Si l'oculaire est assemblé directement dans le porte-oculaire (ex : sans renvoi coudé), l'image est inversée de gauche à droite et de haut en bas. Ceci est normal pour un télescope Schmidt-Cassegrain.



Orientation de l'image
vue à l'œil nu



Inversée de gauche à droite
vue avec l'oculaire



Image inversée, avec l'oculaire
directement dans le télescope

● Mise au point

Le mécanisme de mise au point du NexStar contrôle le miroir primaire qui est monté sur un axe central coulissant à l'arrière et un tube défecteur primaire à l'avant. Le bouton de mise au point qui translate le miroir primaire, se trouve sur le barillet arrière du télescope juste à côté de l'oculaire. Tournez le bouton de mise au point jusqu'à ce que l'image soit nette. Si le bouton ne tourne pas, c'est qu'il a atteint la fin de son parcours du mécanisme de mise au point. Tournez le bouton dans le sens opposé jusqu'à ce que l'image soit nette. Une fois que l'image est dans le champ, tournez le bouton dans le sens des aiguilles d'une montre pour faire la mise au point sur un objet plus proche et dans le sens inverse des aiguilles d'une montre pour un objet plus distant. Un simple tour de la touche de mise au point bouge le miroir primaire légèrement. Par conséquent, cela prendra plusieurs tours (environ 30) pour une mise au point proche (environ 10 mètres) jusqu'à l'infini.

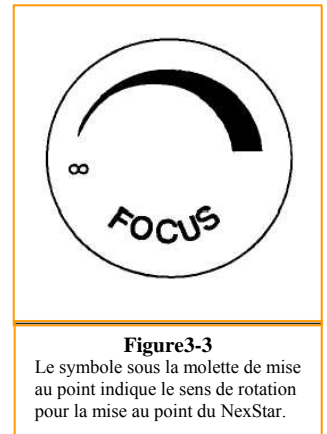


Figure3-3
Le symbole sous la molette de mise au point indique le sens de rotation pour la mise au point du NexStar.

D'un point de vue astronomique, en dehors de la mise au point, les images d'étoiles sont très diffuses, les rendant difficilement visibles. Si vous tournez le bouton de mise au point trop rapidement, vous pouvez ne pas vous arrêter sur la bonne mise au point. Pour éviter ce problème, votre première cible astronomique devra être un objet brillant (comme la Lune ou une planète) afin que l'image soit visible même lorsqu'elle est sortie de la mise au point. Une mise au point critique est mieux accomplie quand le bouton de mise au point est tourné de telle manière que le miroir bouge contre la force de la gravité. En faisant cela, n'importe quel mouvement du miroir est minime. Pour l'observation astronomique, aussi bien visuelle que photographique, ceci se fait en tournant le bouton de mise au point dans le sens inverse des aiguilles d'une montre.

● Calculer le grossissement

Vous pouvez changer la puissance de votre lunette ou télescope simplement en changeant l'oculaire. Pour déterminer le grossissement de votre instrument, divisez simplement sa longueur de focale par la longueur focale de l'oculaire utilisé. Sous forme d'équation, la formule ressemble à cela :

$$\text{Grossissement} = \frac{\text{Longueur de focale de l'instrument (mm)}}{\text{Longueur de focale de l'oculaire (mm)}}$$

Disons par exemple que vous utilisez l'oculaire de 25 mm. Pour déterminer le grossissement, vous devez simplement diviser la longueur focale de votre instrument (le Nexstar 5 a une longueur de focale de 1250 mm) par la longueur de focale de l'oculaire (25 mm). Diviser 1250 par un rapport de 25 donne un grossissement de 50.

Bien que la puissance soit variable, chaque instrument a une limite pour ce qui est du grossissement utile au plus élevé. La règle générale est que le grossissement maximum vaut 2.5 x le diamètre de l'objectif. Par exemple, le NexStar qui a un diamètre 125 mm, le grossissement maximum utile sera de 300x. Bien que ce soit le grossissement utile maximum, la plupart des observations sont faites dans une série de grossissement de 50 à 200x suivant les objets observés.

● Champ de vue déterminant

Déterminer le champ de vision est important si vous voulez avoir une idée de l'écart angulaire de l'objet que vous êtes en train d'observer. Pour calculer le champ de vision actuel, divisez le champ apparent de l'oculaire par le grossissement. Sous forme d'équation, la formule ressemble à cela :

$$\text{Champ réel} = \frac{\text{Champ apparent de l'oculaire}}{\text{Grossissement}}$$

Comme vous pouvez le voir, avant de déterminer le champ de vision, vous devez calculer le grossissement. En utilisant l'exemple de la rubrique précédente, nous pouvons déterminer le champ de vision en utilisant le même oculaire de 25 mm. L'oculaire de 25 mm a un champ de vision apparent de 50°. Divisez 50° par le grossissement. Ceci donne un champ actuel de 1.92°.

Pour convertir les degrés en mètre à 1000 mètres, ce qui est plus utile pour une observation terrestre, multiplier simplement par 17.5. Ceci produit une largeur de champ linéaire à 34 mètres à une distance de 1000 mètres.

● Indices d'observation générale

Lorsque vous travaillez avec n'importe quel instrument optique, il y a quelques éléments à se souvenir pour vous garantir d'obtenir la meilleure image possible.

- Ne jamais regarder à travers une vitre. L'homogénéité du verre est imparfaite d'un point de vue optique, et l'épaisseur peut aussi varier. Ces défauts affecteront la capacité à mettre au point votre instrument. Dans la plupart des cas, vous ne pourrez pas obtenir une image très nette, et dans certains cas, il se peut que vous voyiez une étoile double.
- Ne jamais regarder à travers ou par-dessus des objets qui produisent des vagues de chaleur. Ceci inclut les toits des bâtiments durant les chauds jours d'été.
- Un ciel brumeux, du brouillard peuvent aussi rendre difficile la mise au point durant l'observation terrestre. La quantité des détails vus sous ces conditions est grandement réduite.

Jusqu'à ce point, ce manuel couvrait l'essentiel du montage de votre télescope NexStar. Cependant, pour comprendre plus précisément votre télescope, vous avez besoin d'en connaître un peu plus sur le ciel nocturne. Cette rubrique traite de l'astronomie d'observation en général et comprend des informations sur le ciel nocturne. Cette rubrique traite de l'astronomie d'observation en général et comprend des informations sur le ciel nocturne et l'alignement polaire.

● Le système de coordonnées célestes

Pour aider à trouver des objets dans le ciel, les astronomes utilisent un système de coordonnées célestes qui est semblable à notre système de coordonnées géographiques sur terre. Le système de coordonnées célestes a des pôles, des lignes de longitude et latitude, et un équateur. Pour la plupart, celles-ci restent fixées contre les étoiles d'arrière plan.

L'équateur céleste tourne à 360° autour de la Terre et sépare l'hémisphère céleste nord de celui du sud. Tel l'équateur terrestre, il comporte une lecture d'origine de zéro degré. Sur Terre, ce serait la latitude. Cependant, dans le ciel, cela se réfère à la déclinaison DEC en abrégé. Les lignes de déclinaison sont nommées pour leur distance angulaire au-dessus et en-dessous de l'équateur céleste. Les lignes sont divisées en degrés, minutes d'arc et secondes d'arc. Les lectures de déclinaison sud de l'équateur porte le signe moins (-) devant les coordonnées et celles du nord de l'équateur céleste sont soit vierges (par exemple, pas de désignation) soit précédées du signe positif (+).

L'équivalence céleste de la longitude s'appelle Ascension Droite ou AD (=RA) en abrégé. Comme les lignes de longitude terrestre, elles arrivent d'un pôle à l'autre et sont même espacées de 15°. Bien que les lignes de longitude soient séparées par une distance angulaire, elles sont aussi une mesure de temps. Chaque ligne de longitude est à une heure d'écart de la suivante. Comme la Terre fait un tour toutes les 24 heures, il y a 24 lignes au total. Comme résultat, les coordonnées de l'AD (RA) sont mesurées en unités de temps. Cela débute avec un point arbitraire dans la constellation des Poissons désigné e comme heure 0, minute 0, seconde 0. Tous les autres points sont désignés selon la distance (par exemple combien de temps) à laquelle ils restent derrière ces coordonnées une fois qu'elles passent vers l'est.

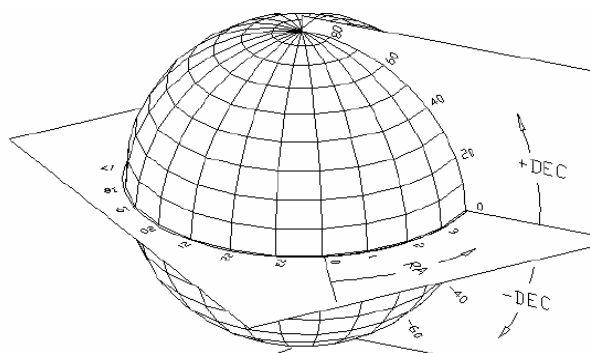
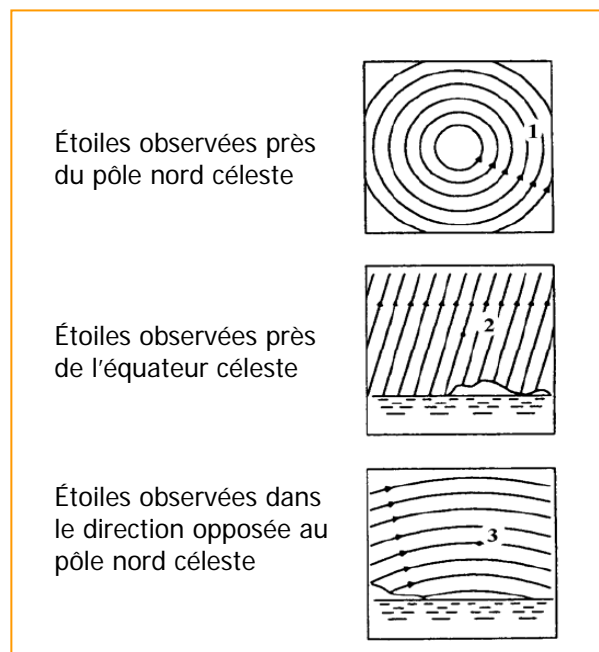


Figure 6-1
La sphère céleste vue de l'extérieur montrant AD et DEC

● Le mouvement des étoiles

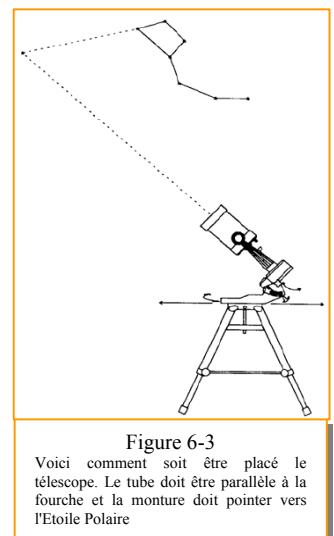
Le mouvement journalier du Soleil dans le ciel est familier même à l'observateur le plus occasionnel. Cette randonnée journalière n'est pas l'objet du mouvement solaire comme les astronomes ont aussitôt pensé, mais le résultat de la rotation de la Terre. La rotation de la Terre provoque aussi la même chose chez les étoiles, décrivant un large cercle puisque la Terre accomplit une rotation. Le temps de passage circulaire que suit une étoile dépend du lieu où elle se situe dans le ciel. Les étoiles proches de l'équateur céleste forment les cercles les plus larges se levant à l'est et se couchant à l'ouest. En observant vers le pôle céleste nord, le point autour duquel les étoiles dans l'hémisphère nord semblent pivoter fait que ces cercles deviennent plus petits. Les étoiles dans les latitudes mi-célestes se lèvent au nord-est et se couchent au nord-ouest. Les étoiles à hautes latitudes célestes sont toujours au-dessus de l'horizon, et sont dites circumpolaires parce qu'elles ne se lèvent ni se couchent jamais. Vous ne verrez jamais les étoiles accomplir un cercle parce que la lumière du soleil pendant la journée rend invisible la lumière des étoiles. Cependant on peut voir une partie de ce mouvement circulaire des étoiles dans cette région du ciel en installant un appareil photo sur un trépied et en ouvrant l'obturateur pendant quelques heures. La pellicule traitée révélera des demis-cercles qui tournent autour du pôle. (Cette description des mouvements stellaires s'appliquent également à l'hémisphère sud à l'exception de toutes les étoiles du sud de l'équateur céleste qui bougent autour du pôle céleste sud).



● Alignement polaire avec table équatoriale

(uniquement sur modèles NexStar 4 SE et 5 SE)

Bien que le NexStar peut précisément suivre un objet céleste même s'il se trouve dans la position Alt-Az, il est toujours nécessaire d'aligner l'axe polaire du télescope (le bras à fourche) parallèle à l'axe de la Terre en rotation dans le but de faire une longue pose photographique d'astronomie. Pour effectuer un alignement polaire précis, le NexStar requiert une table équatoriale entre le télescope et le trépied. Ceci permet aux moteurs de poursuite du télescope de tourner autour du pôle céleste, de la même manière que les étoiles. Sans table équatoriale, vous vous apercevriez que les étoiles dans l'oculaire tourneraient doucement autour du centre du champ de vision. Bien que cette rotation ne se remarquerait pas au moment de l'observation avec un oculaire, ce serait très visible sur la pellicule.



L'alignement polaire est le procédé par lequel l'axe de rotation du télescope (appelé axe polaire) est aligné en fait parallèle à l'axe de rotation de la Terre. Une fois aligné, un télescope avec un entraînement horaire suivra les étoiles au cours de la soirée d'observation. Le résultat est que les objets observés à travers le télescope apparaîtront stationnaires (par exemple ils ne dériveront pas en dehors du champ de vision. Ce mouvement est causé par la rotation de la Terre.

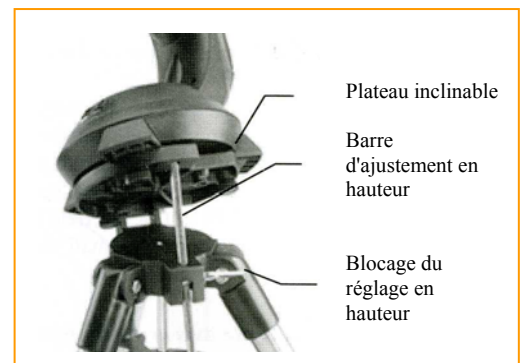
Alignement sur table "Wedge Align" : Le Nexstar possède deux modes d'alignement sur table équatoriale (un pour l'hémisphère nord et un pour l'hémisphère sud) qui vont vous aider à aligner votre télescope sur la Polaire en utilisant la position interne "Downstop" pour positionner la tube parallèlement au bras de la fourche. L'alignement sur table utilise l'alignement d'une étoile pour déterminer la position de la Polaire et pivote le télescope en direction où la Polaire devrait se trouver. En utilisant le trépied et table pour centrer la Polaire dans l'oculaire, le bras de la fourche (axe polaire) sera ensuite pointé en direction du Pôle céleste Nord réel. L'alignement sur table peut être fait sans avoir à faire l'alignement initial d'une étoile. Pour aligner sur table le Nexstar dans l'hémisphère nord :

1. Une fois que l'alignement sur table est effectué, alignez votre télescope en utilisant les méthodes EQ deux étoiles ou EQ auto-alignement.
2. Sélectionnez "Wedge Align" (Alignement sur table) du menu "Utilities" (Utilités) et pressez Enter
3. Basé sur cet alignement d'une étoile, le Nexstar va glisser où il pense que la Polaire se situe. Utilisez le trépied et ajustements de la table pour placer la Polaire dans le centre de l'oculaire. Ne pas utiliser les boutons de direction pour positionner la Polaire. Une fois que la Polaire est centrée dans l'oculaire, l'axe polaire sera pointé en direction du pôle céleste nord.

● Photographie céleste

Après avoir regardé le ciel nocturne pendant un moment, il se peut que vous ayez envie d'essayer de le photographier. Plusieurs procédés de photographie céleste sont possibles avec votre télescope : une exposition courte au foyer, une projection oculaire, une longue exposition sur le ciel profond, terrestre et même l'imagerie CCD. Chacun de ceux-là peut être traité dans le moindre détail avec suffisamment d'informations pour vous permettre de commencer. Les sujets traités comprennent les accessoires demandés et quelques techniques simples. Nous pouvons vous communiquer de plus amples informations sur ce sujet.

Des accessoires supplémentaires spécifiques sont nécessaires pour chaque type de photographie céleste, un appareil photo est aussi nécessaire mais pas n'importe quel appareil photo. L'appareil photo ne doit pas avoir de nombreuses caractéristiques offertes sur l'équipement à la pointe du progrès. Par exemple, vous n'avez pas besoin de la mise au point automatique ou blocage de miroir. Voici les caractéristiques obligatoires dont ait besoin un appareil photo pour les photographies célestes. Tout d'abord, une pose « B » qui permet des temps de pose longs. Ceci exclut « Les compacts » et limite la sélection des appareils photo 35 mm. Le type d'appareil photo reflex 24x36 reste le mieux adapté sur le marché actuel.



Ensuite, le réglage « B » ou réglage manuel ne devra pas décharger les piles. De nombreux nouveaux appareils photos utilisent l'alimentation des piles pour garder l'obturateur ouvert pendant les temps de pose. Une fois que les piles sont usées, après quelques minutes en général ; l'obturateur se ferme, que vous ayez fini ou non la pose. Cherchez un appareil photo qui a un obturateur mécanique et manuel lorsque vous utilisez le mode temps de pose. Olympus, Nikon, Minolta, Pentax, Canon et autres ont conçus de tels appareils photos.

L'appareil photo doit avoir un objectif interchangeable afin que vous puissiez l'assembler au télescope et aussi pour que vous puissiez utiliser une plus grande variété d'objectifs pour la photographie en parallèle. Si vous ne trouvez pas un nouvel appareil photo, vous pouvez acheter un appareil photo d'occasion qui n'est pas fonctionnel à 100%. Le posemètre, par exemple, n'a pas à être opérationnel puisque vous déterminerez le temps de pose manuellement.

Vous avez besoin également d'un déclencheur souple avec un verrouillage pour maintenir l'obturateur ouvert en permanence. Des modèles de déclencheurs manuels et à air sont disponibles.

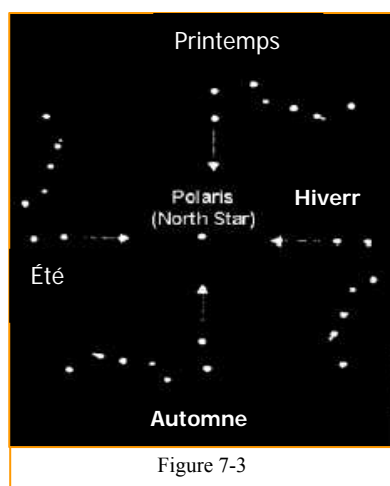
Assemblage de l'appareil photo sur le NexStar :

Pour assembler l'appareil photo sur le NexStar, vous aurez besoin de l'adaptateur T (En option :Réf. C911 pour le NexStar 4 SE ; Réf C 851 pour les NexStar 5 SE, 6 SE et 8 SE) et d'une bague T correspondant à la marque de votre boîtier photographique. (Voir dans la partie Accessoires optionnels). Pour assembler les accessoires photographiques :

1. Retirez le porte-oculaire du barillet arrière.
2. Vissez l'adaptateur T dans le barillet arrière du télescope.
3. Vissez la bague T dans l'adaptateur T.
4. Retirez tous les objectifs de votre appareil photo.
5. Assemblez le corps de l'appareil photo à la bague T en alignant le repère sur le côté de la bague T avec celui du corps de l'appareil photo et faites tourner.

● Trouver le pôle céleste nord

Dans chaque hémisphère, il y a un point dans le ciel autour duquel toutes les étoiles semblent tourner. On appelle ces points les pôles célestes et sont nommés pour l'hémisphère dans lequel ils se trouvent. Par exemple, dans l'hémisphère nord, toutes les étoiles tournent autour du pôle céleste nord. Quand l'axe polaire du télescope pointe le pôle céleste, il est parallèle à l'axe de rotation de la Terre.



Plusieurs méthodes d'alignement polaire exigent que vous connaissiez la manière de trouver le pôle céleste en identifiant les étoiles dans cette zone. Pour celles de l'hémisphère nord, trouver le pôle céleste n'est pas trop difficile heureusement, nous avons une étoile visible à l'œil nu à moins d'1 degré de distance. Cette étoile, La Polaire, est l'étoile de fin dans la queue de la Petite Ourse. La Petite Ourse (appelée techniquement Ursa Minor) n'est pas l'une des plus brillantes constellations dans le ciel, elle peut être difficile à localiser dans les zones urbaines. Si tel est le cas, utilisez les deux étoiles à l'arrière de la Grande Ourse (étoiles de pointage).

Dessinez une ligne imaginaire en partant de celles-ci jusqu'à la Petite Ourse. Elles indiquent la Polaire (voir figure 7-4). La position de la constellation de la

Grande Ourse change pendant l'année et tout au long de la nuit (voir figure 7-3). Lorsque la Grande Ourse est basse dans le ciel (par exemple proche de l'horizon), il se peut que ce soit difficile à localiser. Pendant ce temps, cherchez Cassiopee (voir figure 7-4). Les observateurs de l'hémisphère sud ne sont pas aussi chanceux que ceux de l'hémisphère nord. Les étoiles autour du pôle céleste sud ne sont presque pas aussi brillantes que celles autour du Nord. La plus proche étoile qui est relativement brillante se nomme Sigma Octantis. Cette étoile est juste à la limite de ce qu'il est possible de voir à l'œil nu (magnitude 5.5) et est écartée de 59 minutes arc à partir du pôle.

Le pôle céleste nord est le point dans l'hémisphère nord autour duquel toutes les étoiles semblent tourner. L'équivalent dans l'hémisphère sud se réfère au pôle céleste sud.

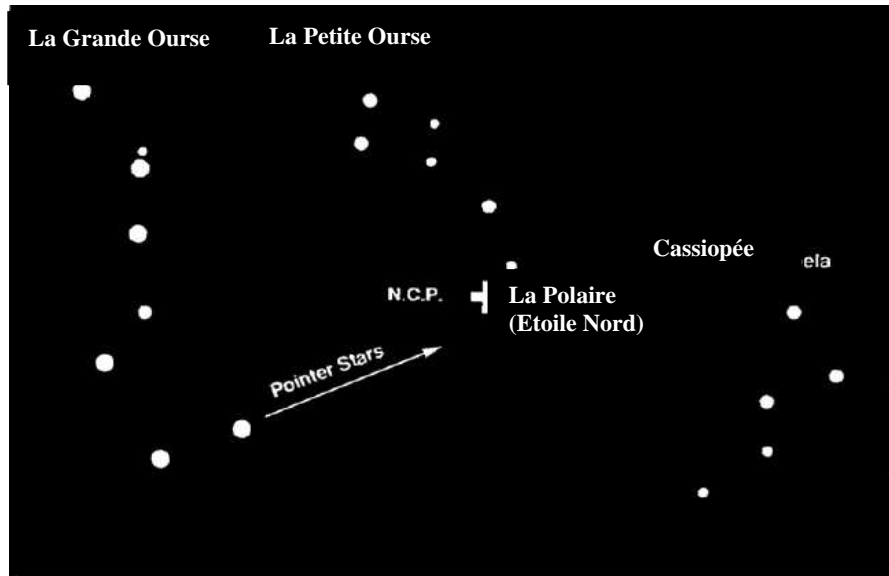
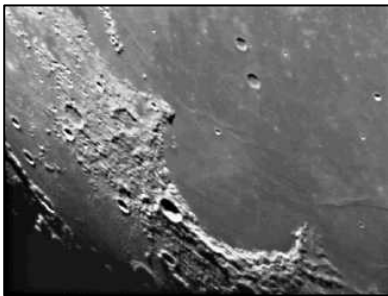


Figure 6-6

OBSERVATION CELESTE

Une fois que votre lunette ou télescope est installé, vous êtes prêt à l'utiliser pour l'observation. Cette rubrique aborde les indices d'observation visuelle aussi bien pour le système solaire que pour les objets du ciel profond ainsi que les conditions d'observation générale qui affecteront votre capacité à observer .

● La Lune



Souvent il est tentant de regarder la Lune quand elle est pleine. A ce moment précis, la face que nous voyons est complètement illuminée et cette lumière peut être intense. De plus, peu ou pas de contraste peut être visible durant cette phase.

L'un des meilleurs moments pour observer la Lune se situe au moment de ses phases partielles (autour du 1^{er} ou 3^{ème} quartier). De longues ombres révèlent de nombreux détails sur la surface lunaire. A faible puissance vous serez capable de voir la totalité du disque lunaire dans le champ. Mettez le grossissement plus fort pour observer sur une zone plus petite.

Choisissez la vitesse de rotation *lunaire* dans les options de vitesse de rotation du menu NexStar pour garder la Lune centrée dans l'oculaire même lors de forts grossissements.

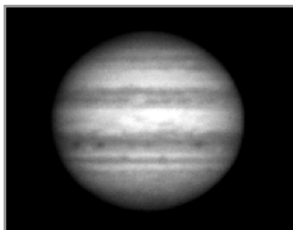
➤ Indices d'observation lunaire

- Pour augmenter le contraste et faire ressortir le détail sur la surface de la Lune, utilisez des filtres. Un filtre jaune améliore le contraste alors qu'une densité neutre ou un filtre polarisant réduira toutes les surfaces brillantes et éblouissantes.

● Les planètes

D'autres cibles fascinantes sont les 5 planètes visibles à l'œil nu. Vous pouvez suivre les phases de Vénus comme pour la Lune. Mars peut révéler une foule de détails à la surface et un, si ce n'est pas deux, de ses couronnes polaires. Vous pourrez voir les zones nuageuses de Jupiter et la Grande Tache Rouge (si elle est visible au moment où vous observez). De plus, vous pourrez voir les lunes de Jupiter puisqu'elles gravitent autour de la planète. Saturne avec ses magnifiques anneaux est facilement visible à une puissance modérée.

➤ Indices d'observation planétaire



Souvenez-vous que les conditions atmosphériques sont généralement le facteur contraignant pour observer nombre de détails sur la planète. Aussi, évitez de regarder les planètes lorsqu'elles sont basses sur l'horizon ou quand elles se trouvent directement au-dessus d'une source de chaleur par rayonnements, tels un toit ou une cheminée. Voir la rubrique « Les conditions de visibilité » plus tard dans cette partie.

Pour augmenter le contraste et souligner les détails sur la surface de la planète, essayez d'utiliser les filtres pour l'oculaire Celestron.

● Le Soleil

Attention

N'utilisez jamais votre instrument pour regarder le Soleil directement à l'œil nu. Des lésions permanentes et irréversibles seraient provoquées instantanément sur la rétine de l'œil si vous ne respectez pas ce qui suit :

Quand vous observez le soleil, n'utilisez pas le chercheur Starpointer

N'utilisez jamais un filtre solaire qui s'adapte sur un oculaire.

N'utilisez jamais votre instrument pour projeter la lumière du soleil sur un écran, l'augmentation de la température interne due à la chaleur endommagerait tous les éléments optique de votre instrument.

Utilisez la feuille solaire Astrosolar réf. C 1028 ou C 1029 pour observer le soleil en toute sécurité. Elle se place à l'avant du tube de votre instrument et transmet seulement 1/100 000^{ème} de la lumière solaire. Vous pourrez ainsi observer les taches sur le soleil sans aucun éblouissement.

Nous vous conseillons, également, le filtre solaire verre visuel haute définition, qui est un filtre pleine ouverture avec une transmission de 1/100 000^{ème} et qui donne une image du soleil de couleur naturelle rouge orangée.

Bien qu'oublié par les astronomes amateur, l'observation solaire est à la fois gratifiante et amusante. Cependant, du fait que le Soleil soit si brillant, des précautions particulières sont à prendre lorsque vous observez notre étoile afin de ne pas endommager vos yeux ou votre instrument.

Ne projetez jamais l'image du Soleil à travers votre lunette ou télescope. Cela provoquerait une forte température à l'intérieur du tube optique et endommagerait l'instrument et n'importe quel accessoire assemblé sur celui-ci.

Pour une observation solaire sans danger, utilisez un filtre solaire qui réduit l'intensité de la lumière du Soleil et assure ainsi la sécurité de l'observateur. Grâce au filtre, vous pouvez voir des tâches solaires puisqu'elles évoluent sur le disque solaire et des facules apparaissent comme tâches lumineuses.

➤ Indices d'observation solaire

- La meilleure heure pour observer le Soleil est tôt le matin ou tard dans l'après-midi quand les températures sont plus fraîches.
- Placez le filtre solaire à l'avant du tube. **Ne pas utiliser le chercheur.**
- Pour centrer le soleil **sans regarder dans l'oculaire**, regardez l'ombre du tube de l'instrument jusqu'à ce qu'il forme une ombre circulaire.
- Pour assurer une poursuite précise, soyez sûr de sélectionner la vitesse de poursuite solaire.

● Les objets du ciel profond

Les objets du ciel profond sont seulement ces objets en dehors des frontières de notre système solaire. Ils comprennent des amas d'étoiles, des nébuleuses planétaires, des nébuleuses diffuses, des étoiles doubles et d'autres galaxies en dehors de notre propre Voie Lactée. La plupart des objets du ciel profond

ont un large champ angulaire important. Par conséquent, un faible grossissement est fortement conseillé pour les voir. Visuellement, elles sont trop faibles pour révéler n'importe quelle couleur vue lors de photographies de longue exposition, elles apparaissent en noir et blanc. Et, dû à la brillance de leur basse surface, vous devrez les observer sur un lieu où le ciel est sombre. Une légère pollution autour de larges zones urbaines fait partir la

plupart des nébuleuses les rendant ainsi difficiles, voire impossibles à voir. Les filtres de rejet de la pollution aident à réduire la luminosité du fond du ciel, donc à augmenter le contraste.

● Conditions de visibilité

Les conditions d'observation affectent ce que vous pouvez voir à travers votre instrument pendant une séance d'observation. Ces conditions incluent la transparence, l'illumination du ciel et l'observation. Comprendre les conditions de visibilité et l'effet qu'elles ont sur l'observation vous aidera à tirer profit de votre matériel.

● Transparence

La transparence est la clarté de l'atmosphère qui est affectée par les nuages, l'humidité et d'autres particules dans l'atmosphère. D'épais nuages cumulus sont complètement opaques alors que les cirrus peuvent être fins, permettant le passage de la lumière à travers les étoiles les plus brillantes. Des ciels brumeux absorbent plus de lumière que des ciels clairs rendant les objets plus légers, plus difficiles à voir et réduisant le contraste sur les objets plus brillants. Des gaz projetés dans la haute atmosphère provenant d'éruptions volcaniques affectent aussi la transparence. Les conditions idéales sont au moment où le ciel est aussi noir que l'encre.

● Illumination du ciel

La luminosité générale du ciel est causée par la Lune, l'aurore et une légère pollution peuvent grandement affecter la transparence. Alors qu'il n'y a pas de problème pour les étoiles et les planètes les plus brillantes, les ciels lumineux réduisent le contraste des nébuleuses étendues, les rendant difficiles voire impossibles à voir. Pour maximiser votre observation, limitez l'observation du ciel profond aux nuits sans lune loin de la lumière des ciels pollués autour de grandes zones urbaines. Les filtres LPR améliorent l'observation du ciel profond dans les zones de lumières polluées en bloquant la lumière non désirée tout en transmettant la lumière de certains objets du ciel profond. Vous pouvez quand même, observer les planètes et les étoiles dans des zones de lumières polluées ainsi que la Lune lorsqu'elle est là.

● L'observation

Les conditions d'observation se réfèrent à la stabilité de l'atmosphère qui affecte directement la quantité de détails minutieux vus dans les objets étendus. L'air dans notre atmosphère agit comme une lentille qui dérive et déforme les rayons lumineux entrant. La quantité de dérivation dépend de la densité de l'air. Les épaisseurs de température variable ont différentes densités et donc dérivent la lumière de manière différente. Les rayons lumineux provenant du même objet arrivent doucement déplacés en créant une image imparfaite ou tâchée. Ces perturbations atmosphériques varient de temps en temps et de lieu en lieu. La taille des parcelles comparée à votre ouverture détermine la qualité de vision. Sous de bonnes conditions de visibilité, le détail minutieux est visible sur les planètes les plus brillantes telles Jupiter et Mars, et les étoiles sont des images minuscules. Sous des conditions de vus déplorable, les images sont floues et les étoiles apparaissent comme des tâches.

Figure 5-1



Les conditions de visibilité affectent directement la qualité de l'image. Ces dessins représentent un point source (c'est à dire une étoile) dans de mauvaises conditions de visibilité (à gauche) et dans de bonnes conditions (à droite). La plupart du temps, les conditions de visibilité ressemblent à l'image centrale de ce schéma.



ENTRETIEN DE L'INSTRUMENT

Alors que votre NexStar demande peu d'entretien, il y a certaines choses à se souvenir qui vous garantiront un fonctionnement optimum de votre matériel.

● Soins et nettoyage des optiques

Occasionnellement, de la poussière et/ou de l'humidité peuvent se développer sur l'objectif de votre lunette ou sur le miroir de votre télescope. Une attention particulière devra être prise au moment du nettoyage de tout instrument afin de ne pas endommager les optiques.

Si la poussière se développe sur l'optique, enlevez-la avec une brosse (fait en poils de chameau) ou une bombe d'air pressurisé. Soufflez sous incidence l'objectif pendant environ 2 à 4 secondes. Ensuite, utilisez une solution de nettoyage pour optiques et un mouchoir en papier blanc pour ôter tout reste de poussière. Appliquez la solution sur le mouchoir et ensuite appliquez le mouchoir en papier sur l'objectif. Vous devrez donner une très légère pression en partant du centre de l'objectif jusqu'à la partie extérieure. **NE FROTTEZ PAS en faisant des cercles!**

Vous pouvez utiliser un produit nettoyant pour objectif que l'on trouve dans le commerce ou faire un de vos propres mélanges. Un produit de nettoyage est l'alcool isopropyl mélangé à de l'eau distillée. La solution devra se composer de 60% d'alcool isopropyl et de 40% d'eau distillée. Ou bien, un liquide de nettoyage à vitre (bleuté) peut également être utilisé avec succès.

Pour minimiser le besoin de nettoyer votre instrument, remplacez tous les caches optiques une fois que vous avez fini de l'utiliser. Cela empêchera aux poussières d'entrer dans le tube optique.



ACCESSOIRES OPTIONNELS

Câble raccord batterie réf. C 1102P

Celestron propose un câble allume cigarette qui vous permet de brancher le NexStar à partir d'une source d'alimentation externe. L'adaptateur se relie à l'allume cigarettes de votre voiture.

Lentille de Barlow 2x Omni C 842

Avec cette lentille de Barlow multi-traitée, doublez le grossissement obtenu normalement avec n'importe quel oculaire Celestron.

Renvoi coudé redresseur réf. A 725 (non compatible NexStar 4SE)

Cet accessoire est un prisme Amici qui vous permet de regarder dans le télescope à un angle de 45° avec des images orientées correctement, à l'endroit. C'est utile pendant la journée, pour l'observation terrestre.

Oculaires

Comme pour les instruments, les oculaires apparaissent sous différents modèles. Chaque série a ses propres avantages et inconvénients. Coulant standard 31.75 mm. Sont proposés, entre autres, les séries :

- **OMNI Plössl** – Combinaison symétrique Plössl à quatre éléments pour l'observation aussi bien à faible qu'à fort grossissement. Ils offrent une vision précise dans tous le champ, et même aux bords ! Ils sont disponibles dans les longueurs de focale suivantes : 4 mm, 6 mm, 9 mm, 12.5 mm, 15 mm, 20 mm, 25 mm, 32 mm et 40 mm.
- **XCEL** - Ces oculaires vont vous permettre de déceler les fins détails sur les surfaces planétaires. Le choix des longueurs focales offre aussi l'avantage de pouvoir choisir son grossissement en fonction de l'instrument utilisé et des conditions d'observations. Combinaison à 6 éléments optiques traités multicouches toutes surfaces. Le large champ de 55°, le relief d'oeil de 20 mm et l'interchangeabilité para focale en font une série d'oculaires de grande classe.
- **AXIOM** - Nouvelle ligne d'oculaires Haute Qualité, 7 lentilles traitées multicouches, extra grand champ 70° (52° pour le 50mm) avec des coulants standards 31,75 mm et 50,8 mm. La qualité optique est optimisée avec une combinaison optique de base Plössl mais offre l'avantage d'avoir une pupille de sortie dans une position constante quelque soit la longueur focale de l'oculaire.



Sont, également, proposés les oculaires GENUINE et HYPERION de chez BAADER, ainsi que les LANTHANUM LV ET LVW SUPER WIDE de chez VIXEN

Filtres colorés

Pour améliorer vos observations visuelles et photographiques des objets du système solaire, Ils se vissent sur les oculaires coulant 31.75 mm. 6 couleurs : bleu foncé C 1363, bleu clair C 1364 vert C 1365, jaune C 1366, orange C 1367, rouge C 1368.

Lampe flashlight de poche Sky Watcher réf. A 736

Une lampe économique avec un cache rouge afin de vous aider à préserver votre vision nocturne. Retirez le cache rouge pour l'utilisation normale de la lampe. De taille très compacte.

Les filtres de Rejet de la pollution légère (LPR)

réf. C 1168 et C 1169

Ces filtres sont conçus pour améliorer les images des objets astronomiques du ciel profond lorsque vous observez des zones urbaines. Les filtres LPR réduisent sélectivement la transmission de certaines longueurs d'ondes de lumière, particulièrement celles

produites par lumières artificielles. Ceci inclut les raies de mercure de hautes et basses pressions et les raies du sodium. De plus, elles bloquent également la lumière naturelle non désirée (la lueur du ciel) causée par l'émission de l'oxygène neutre dans notre atmosphère. Celestron offre un modèle pour les oculaires coulant 31.75 mm réf. C 1168 et un modèle qui s'assemble sur le barillet arrière devant le porte-oculaire et le renvoi coudé réf. C 1169.



Le filtre lunaire réf. A 729

Il va réduire la luminosité de la Lune et améliorer le contraste, afin que de plus amples détails puissent être observés sur la surface lunaire. L'ouverture nette est de 21 mm et la transmission d'environ 18%.

Jeu de filtres polarisants réf. C 1024

Les filtres polarisants limitent la transmission de lumière selon un plan précis qui accroît le contraste entre les différents objets. Ce jeu s'utilise principalement pour des observations terrestres, lunaires et planétaires.

Feuille solaire Astrosolar C 1028 ou C 1029

La feuille AstroSolar est un filtre sûr et durable qui se positionne à l'avant du tube de l'instrument. Destiné à voir les tâches solaires et autres caractéristiques solaires.

Alimentation portable réf. C 479

Alimentation portable 12v 7Amp rechargeable. Fournie avec sortie 12 volts adaptateur allume-cigares, avec lumière rouge intégrée, lumière halogène de dépannage. Adaptateur AC et câble allume-cigares fournis.



Alimentation portable réf. C 479.1

Alimentation portable rechargeable 17HA.

Câble RS-232 réf. C 404

Permet à votre instrument d'être contrôlé en utilisant un ordinateur. Une fois connecté, il peut être contrôlé en utilisant des logiciels d'astronomie basiques.

Plots de trépied anti-vibration réf. C 1174

Ils se placent entre le sol et les pieds du trépied de votre lunette ou télescope. Ils réduisent l'amplitude et les temps de vibration de l'instrument quand il est secoué par le vent ou par un heurt accidentel.

Annexe A – Caractéristiques techniques

Modèles	NexStar 4 SE	NexStar 5 SE	NexStar 6 SE	NexStar 8 SE
Spécifications				
Conception optique	Maksutov	Schmidt Cassegrain	Schmidt Cassegrain	Schmidt Cassegrain
Diamètre	102 mm	125 mm	150 mm	203 mm
Longueur focale	1325 mm – F/13	1250 mm – F/10	1500 mm – F/10	2032 mm – F/10
Traitements	Starbright XLT	Starbright XLT	Starbright XLT	Starbright XLT
Tube optique	Aluminium orange métallisé	Aluminium orange métallisé	Aluminium orange métallisé	Aluminium orange métallisé
Monture	Monofourche-altazimutale	Monofourche-altazimutale	Monofourche-altazimutale	Monofourche-altazimutale
Assemblage	Queue d'aronde	Queue d'aronde	Queue d'aronde	Queue d'aronde
Raquette de commande	Informatisée	Informatisée	Informatisée	Informatisée

Accessoires standards

Oculaire (en mm)	25 mm E-Lux (53 x)	25 mm E-Lux (50 x)	25 mm E-Lux (60 x)	25 mm E-Lux (81 x)
Chercheur	StarPointer	StarPointer	StarPointer	StarPointer
Renvoi coudé	Flip mirror interne pour un angle d'observation direct ou à 90°	Coulant 31.75 mm	Coulant 31.75 mm	Coulant 31.75 mm
Trépied	Acier, table équatoriale intégrée	Acier, table équatoriale intégrée	Acier, table équatoriale (option)	Acier, table équatoriale (option)
Logiciel inclus	NexRemote & The Sky niv.1	NexRemote & The Sky niv.1	NexRemote & The Sky niv.1	NexRemote & The Sky niv.1
Câble liaison appareil photo	Commande appareil photo	Commande appareil photo	-	-
Câble liaison RS 232	Oui	Oui	Oui	Oui
Alimentation	8 piles – AA (non fournies)	8 piles – AA (non fournies)	8 piles – AA (non fournies)	8 piles – AA (non fournies)

SPECIFICATIONS TECHNIQUES

Grossissement utile plus fort	255 x	312 x	375 x	500 x
Magnitude stellaire limite	12.5	13	13.4	14
Résolution (en secondes d'arc)	1.17 secondes d'arc	0.96 secondes d'arc	0.8 secondes d'arc	0.6 secondes d'arc
Clarté	289 x à l'oeil nu	448 x à l'oeil nu	625 x à l'oeil nu	1144 x à l'oeil nu
Champ de vision (en degrés)	1°	1°	0.83°	0.63°
Champ de vision à 1000 m	17.5 m	17.5 m	14.5 m	11 m
Longueur du tube optique	343 mm	279 mm	406 mm	432 mm
Poids du télescope	5 kg	8 kg	10 kg	11 kg
Poids du trépied	4.5 kg	4.5 kg	4 kg	4 kg
Poids total	9.5 kg	12.5 kg	14 kg	15 kg

SPECIFICATIONS DE COMMANDE PAR ORDINATEUR

Raquette de commande informatisée	Affichage sur 2 lignes, 16 caractères, 19 touches rétro-éclairées	Affichage sur 2 lignes, 16 caractères, 19 touches rétro-éclairées	Affichage sur 2 lignes, 16 caractères, 19 touches rétro-éclairées	Affichage sur 2 lignes, 16 caractères, 19 touches rétro-éclairées
Base de données	+ de 40 000 objets, 400 objets programmables et définis par l'utilisateur, des informations sur place de 200 objets	+ de 40 000 objets, 400 objets programmables et définis par l'utilisateur, des informations sur place de 200 objets	+ de 40 000 objets, 400 objets programmables et définis par l'utilisateur, des informations sur place de 200 objets	+ de 40 000 objets, 400 objets programmables et définis par l'utilisateur, des informations sur place de 200 objets
Vitesse de poursuite	Sélection possible parmi 9 vitesses	Sélection possible parmi 9 vitesses	Sélection possible parmi 9 vitesses	Sélection possible parmi 9 vitesses
Ports	RS-232, Aux, liaison appareil photo	RS-232, Aux, liaison appareil photo	RS-232, Aux	RS-232, Aux
Vitesse de suivi	Sidérale, solaire et lunaire	Sidérale, solaire et lunaire	Sidérale, solaire et lunaire	Sidérale, solaire et lunaire
Modes de suivi	Alt-Az, EQ Nord & EQ Sud	Alt-Az, EQ Nord & EQ Sud	Alt-Az, EQ Nord & EQ Sud	Alt-Az, EQ Nord & EQ Sud
Compatibilité GPS	Module GPS CN-16 (option)	Module GPS CN-16 (option)	Module GPS CN-16 (option)	Module GPS CN-16 (option)
Procédures d'alignement	SkyAlign, alignement automatique sur 2 étoiles, alignement sur 1 étoile, alignement sur 2 étoiles, alignement sur le système solaire	SkyAlign, alignement automatique sur 2 étoiles, alignement sur 1 étoile, alignement sur 2 étoiles, alignement sur le système solaire	SkyAlign, alignement automatique sur 2 étoiles, alignement sur 1 étoile, alignement sur 2 étoiles, alignement sur le système solaire	SkyAlign, alignement automatique sur 2 étoiles, alignement sur 1 étoile, alignement sur 2 étoiles, alignement sur le système solaire

GPS CN-16 (option)

Disposez de la puissance et de l'exactitude des satellites GPS pour un alignement entièrement automatique de votre télescope avec encore plus de précision.

Photos et équipements non contractuels susceptibles de modifications sans notification préalable

Annexe B – Branchement RS-232

En utilisant le logiciel fourni NSOL, vous pouvez commander votre NexStar à partir d'un ordinateur avec le port RS-232 situé sur la raquette de commande informatisée et en utilisant le câble RS-232. Pour plus d'informations sur l'utilisation de ce logiciel pour commander votre instrument, référez-vous à la fiche descriptive fournie avec le CD et les fichiers d'aide se trouvant sur le CD. En plus du NSOL, le NexStar peut être contrôlé en utilisant d'autres logiciels d'astronomie. Pour plus d'informations sur la commande du NexStar par le port RS-232, n'hésitez pas à contacter la société MEDAS SA ou votre revendeur-point conseil.

Annexe C – Glossaire

MAGNITUDE TOTALE : La magnitude évidente qu'une étoile devrait avoir si elle est observée d'une distance standard est de 10 parsecs ou 32.5 années lumières. La magnitude totale du Soleil est de 4.8 à une distance de 10 parsecs qui serait juste visible sur terre lors d'une nuit claire de pleine lune, loin de la surface de lumière.

DISQUE D'AIRY : La taille évidente d'un disque d'une étoile se produit aussi par un système optique parfait. Puisque l'étoile ne peut jamais être mise au point parfaitement, 84 % de la lumière se concentre dans un disque simple, et 16 % dans un système de cercles survolant.

ALTAZIMUT : Forme de monture de télescope sur laquelle les deux axes de rotation indépendants permettent le mouvement de l'instrument en altitude et en azimut.

HAUTEUR : En astronomie, l' hauteur d'un objet céleste est sa distance anguleuse au-dessus ou au-dessous de l'horizon céleste.

OUVERTURE : Diamètre de la lentille ou du miroir primaire du télescope, la largeur d'ouverture, le meilleur pouvoir de rassemblement de la lumière du télescope.

MAGNITUDE EVIDENTE : Mesure de l'intensité relative d'une étoile ou d'autres objets célestes perçue par un observateur sur terre.

MINUTE D'ARC : Unité de taille anguleuse égale à 1/60 d'un degré.

SECONDE D'ARC : Unité de taille anguleuse égale à 1/3,600 d'un degré (ou 1/60 d'une minute d'arc).

ASTERISME : Petit groupement officieux d'étoiles dans le ciel de nuit.

ASTEROÏDE : C'est un petit ensemble instable qui gravite une étoile.

ASTROLOGIE : Pseudo-scientifique croyance que la position des étoiles et des planètes exerce une influence sur les affaires humaines ; l'astrologie n'a rien à voir avec l'astronomie.

UNITE ASTRONOMIQUE : Distance entre la terre et le soleil. C'est égal à 149 597 900 km, généralement arrondi à 150 000 000 km.

AUORE : Emission de lumière lorsque les particules chargées de vent solaire font claquer et excitent les atomes et les molécules de l'atmosphère supérieur de la planète.

AZIMUT : Distance anguleuse d'un objet vers l'Est d'un bout à l'autre de l'horizon, mesurée à partir du Nord, entre le méridien astronomique (ligne verticale passant à travers du centre du ciel et aux points de l'horizon Nord et sud) et la ligne verticale qui contient l'ensemble céleste dont la position doit être mesurée.

ETOILES DOUBLES : Paires d'étoiles qui, par leur attraction mutuelle gravitationnelle, gravitent autour d'un centre de masse commun. Si un groupe de trois étoiles ou plus tourne autour d'une autre, on appelle cela des systèmes multiples. Il paraît incroyable qu'approximativement 50 % de toutes les étoiles se transforment en systèmes binaires ou

multiples. Ces systèmes avec des composants individuels pouvant être vus séparément dans un télescope, sont appelés systèmes visuels binaires ou systèmes visuels multiples. L'étoile la plus proche de notre système solaire, Alpha Centauri, est en fait notre exemple le plus proche d'un système d'étoiles multiples, c'est à dire trois étoiles, deux vraiment similaires à notre soleil, et une étoile sans éclat, petite et rouge gravitant autour d'une autre.

EQUATEUR CELESTE : Projection de l'équateur de la terre sur la sphère céleste. Il divise le ciel en deux hémisphères égales.

POLE CELESTE : Projection imaginaire de l'axe nord de la rotation de la terre sur la sphère céleste.

SPHERE CELESTE : Sphère imaginaire survolant la terre, concentrique avec le centre de la terre;

COLLIMATION : Action de placer les optiques du télescope dans un alignement parfait.

DECLINAISON : Distance anguleuse de l'ensemble céleste nord ou sud de l'équateur céleste. Il paraîtrait qu'elle corresponde à la latitude de la surface de la terre.

ECLECTIQUE : Projection de l'orbite de la terre sur la sphère céleste. Elle est également définie comme "la voie annuellement apparente du soleil contre les étoiles".

SUPPORT EQUATORIAL : Montage du télescope dans lequel l'instrument attaque un axe qui est parallèle à l'axe de la terre; l'angle de l'axe doit être égal à la latitude de l'observateur.

DISTANCE FOCALE : Distance entre une lentille (ou miroir) et le point où l'image d'un objet à l'infini est amenée à la mise au point. La distance focale divisée par l'ouverture du miroir ou de la lentille est appelée rapport focal.

PLANETES "JOVIAN" : Quatre planètes géantes étant à une meilleure distance du soleil que des planètes terrestres.

KUIPER BELT : Région aux alentours de l'orbite de Neptune s'étendant à peu près 1000 AU qui est la source de plusieurs comètes à courte période.

ANNEE LUMIERE : Une année lumière est la distance que la lumière traverse dans le vide en une année à une vitesse de 299,792 km/sec.

MAGNITUDE : La magnitude est la mesure de l'intensité d'un ensemble céleste. Les étoiles les plus brillantes sont attribuées à la magnitude 1 et ce de plus en plus faibles depuis la magnitude 2 jusqu'à la magnitude 5. L'étoile la plus faible qui peut être vue sans télescope se situe environ à la magnitude 6. Chaque mesure de la magnitude correspond à une proportion de 2.5 en intensité. Par conséquent, une étoile de magnitude 1 est de 2.5 fois plus brillant qu'une étoile de magnitude 2 et 100 fois plus brillant qu'une étoile de magnitude 5. L'étoile la plus brillante, Sirius, a une magnitude apparente de -1.6, la pleine lune est de -12.7, et l'intensité du soleil, exprimée dans une échelle de magnitude, est de -26.78. Le niveau zéro de l'échelle apparente de magnitude est arbitraire.

MERIDIEN : Ligne de référence dans le ciel qui commence au Pôle céleste Nord et qui se termine au Pôle céleste Sud, et passe à travers le zénith. Si vous êtes face au sud, le méridien commence de votre horizon du sud et passe directement par-dessus le Pôle céleste Nord.

MESSIER : Astronome français à la fin de l'année 1700 qui fut le premier à regarder les comètes. Les comètes sont des objets de diffusion voilée et Messier a ainsi catalogué les objets qui n'étaient pas des comètes pour s'aider dans sa recherche. Ce catalogue est devenu le Catalogue MESSIER, de M 1 à M 110.

NEBULEUSE : Nuage interstellaire de gaz et de poussière. Se réfère également à chaque objet céleste qui a l'apparence d'un nuage.

POLE CELESTE NORD : Point dans l'hémisphère Nord autour duquel toutes les étoiles semblent tourner. Cela résulte du fait que la Terre tourne sur un axe qui passe par les Pôles célestes Nord et Sud. L'étoile Polaris reste à moins d'un degré de ce point et se réfère par conséquent à 'l'étoile pôle'.

NOVA : Etant également le latin de 'nouveau', Nova est une étoile qui devient soudainement explosive de brillance à la fin de son cycle de vie.

GROUPE OUVERT : C'est l'un des groupements d'étoiles qui sont concentrés le long du niveau du Milky Way. La plupart ont une apparence asymétrique et sont vaguement assemblés. Ils contiennent d'une douzaine à plusieurs milliers d'étoiles.

PARALLAXE : Parallaxe est la différence dans la position apparente d'un objet contre l'arrière plan lorsqu'il est vu par un observateur de deux endroits différents. Ces positions et la position actuelle de l'objet forment un triangle par lequel le sommet de l'angle (parallaxe) et la distance de l'objet peuvent être déterminés si la distance de la ligne de base entre les positions d'observation est connue et si la direction anguleuse de l'objet dans chaque position à la fin de la ligne de base a été mesurée. La méthode traditionnelle en astronomie de déterminer la distance d'un objet céleste est de mesurer sa parallaxe.

PARA-FOCALE : Se réfère à un groupe d'oculaires qui nécessitent tous la même distance du plan focal du télescope pour être mis au point. Cela signifie que quand vous mettez au point un oculaire focal, tous les autres oculaires para-focaux, dans une ligne particulière d'oculaires, seront mis au point.

POINT SOURCE : Tout objet ne pouvant être résolu sans une image car il est trop loin ou trop petit, est considéré comme un point source. Une planète est au loin mais cela ne peut être résolu comme un disque. La plupart des étoiles ne peuvent pas être résolues comme un disque, elles sont trop loin.

REFLECTEUR : Télescope dans lequel la lumière est collectée par moyen d'un miroir.

RESOLUTION : Angle minimum qu'un système optique peut détecter. A cause de la diffraction, il y a une limite pour l'angle minimum, résolution. Le plus grand, l'ouverture; le meilleur, la résolution.

ASCENSION DROITE : Distance anguleuse d'un objet mesurée en heures, minutes, et secondes le long de l'équateur céleste à l'Est de l'équinoxe Vernal.

TAUX SIDERAL : Vitesse angulaire de rotation de la terre. L'entraînement des moteurs de suivi se fait à ce taux. Le taux est de 15 secondes d'arc par seconde ou 15 degrés par heure.

TERMINATEUR : Ligne de frontière entre la lumière et la portion sombre de la lune ou de la planète.

UNIVERS : Totalité des objets astronomiques, des événements, des relations et énergies capables d'être décrits objectivement.

ETOILE VARIABLE : Etoile dont la lumière varie suivant le temps dû à plusieurs propriétés inhérentes de l'étoile ou quelque chose éclipsant ou obscurcissant l'intensité de l'étoile.

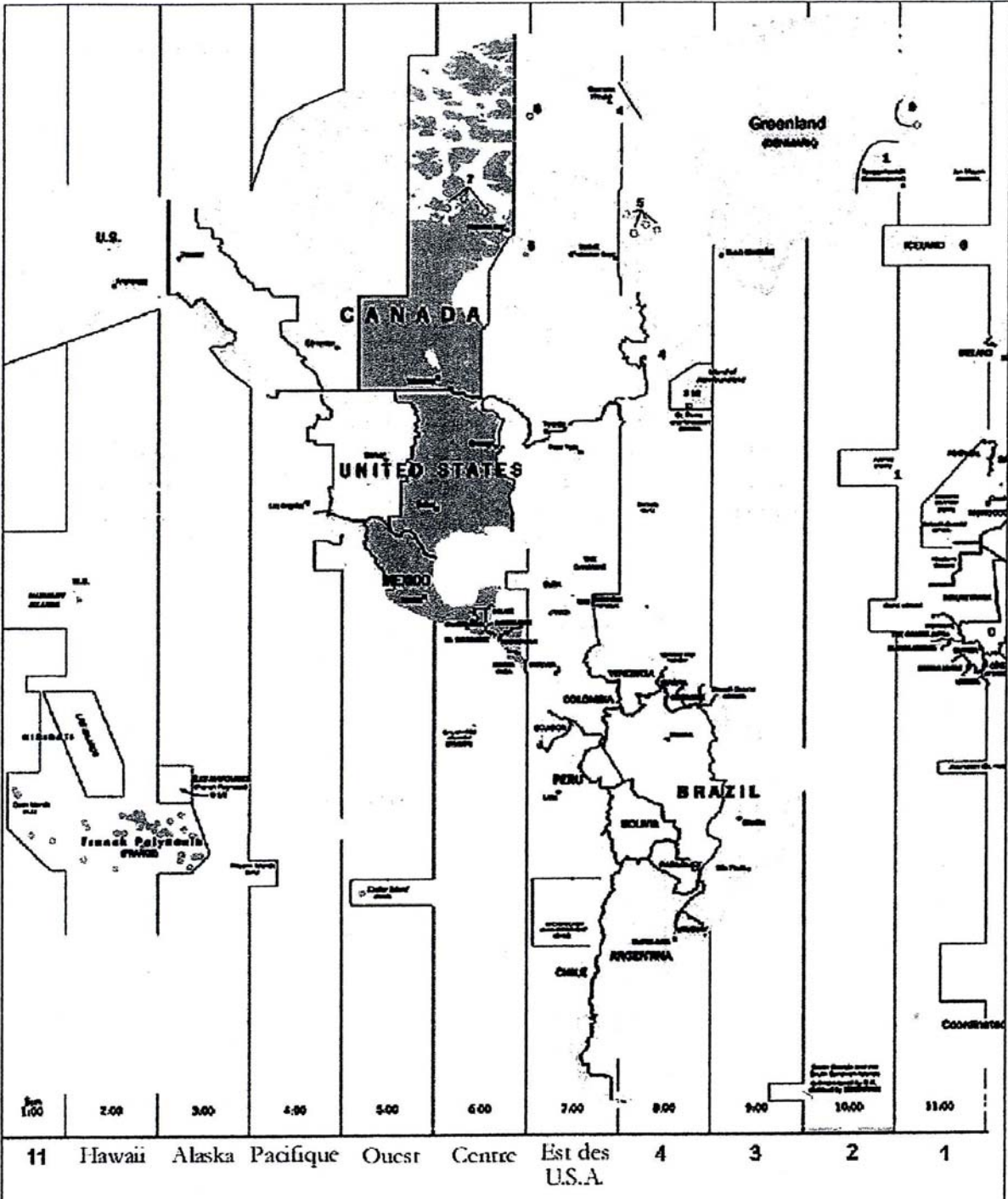
LUNE A SON DECLIN: Période du cycle de la lune, entre la nouvelle lune et la pleine lune, quand sa portion illuminée est en déclin.

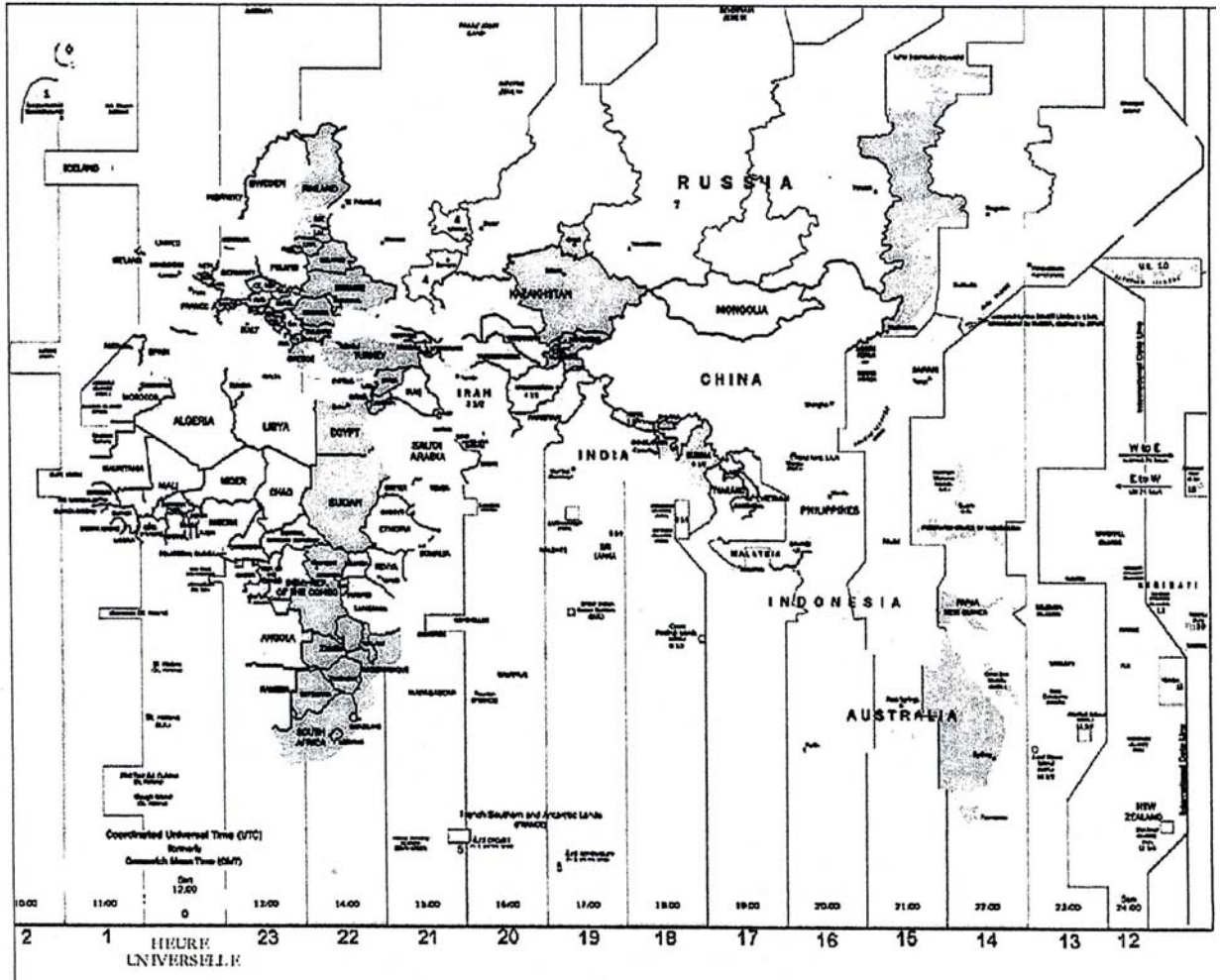
CROISSANCE DE LA LUNE : Période du cycle de la lune, entre la pleine lune et la nouvelle lune, quand sa portion illuminée est en croissance.

ZENITH : Point de la sphère céleste directement au-dessus de l'observateur.

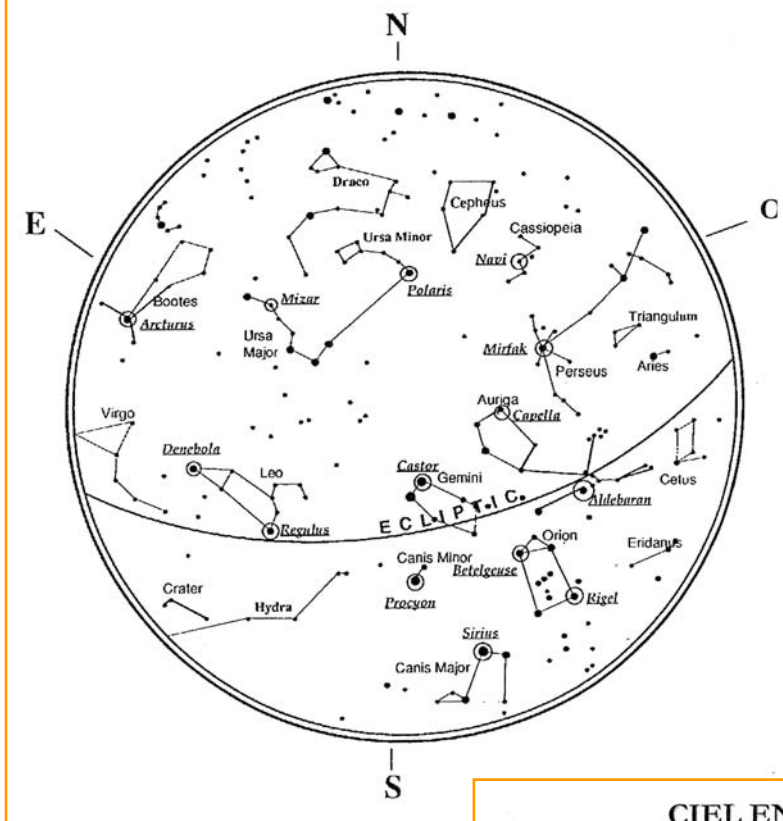
ZODIAC : Le Zodiac est la portion de la sphère céleste qui reste à l'intérieur à 8 degrés sur chaque face de l'écliptique. Les voies apparentes du soleil, de la lune, et des planètes, à l'exception de quelques portions de la voie de Pluton, restent à l'intérieur de cette bande. Douze divisions ou signes, avec pour chacun 30 degrés d'ampleur, comprenant le zodiac. Ces signes coïncident avec les constellations zodiacales datant déjà d'environ 2000 ans. A cause de la Précession de l'axe de la terre, l'équinoxe Vernal a bougé à l'Est d'environ 30 degrés depuis ce temps, les signes ont bougé avec lui et ainsi coïncident avec les constellations.

Annexe D – Carte des zones horaires

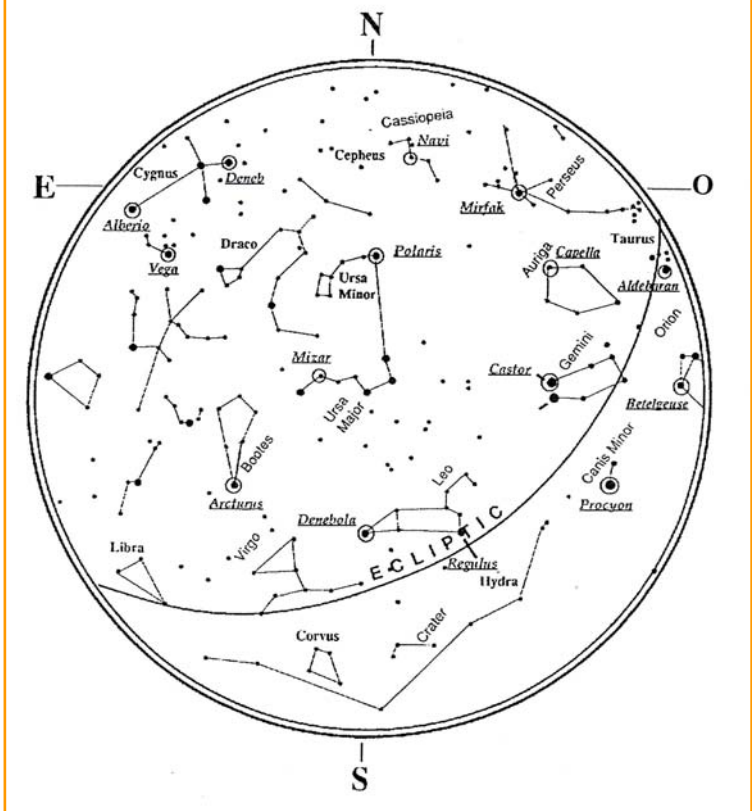




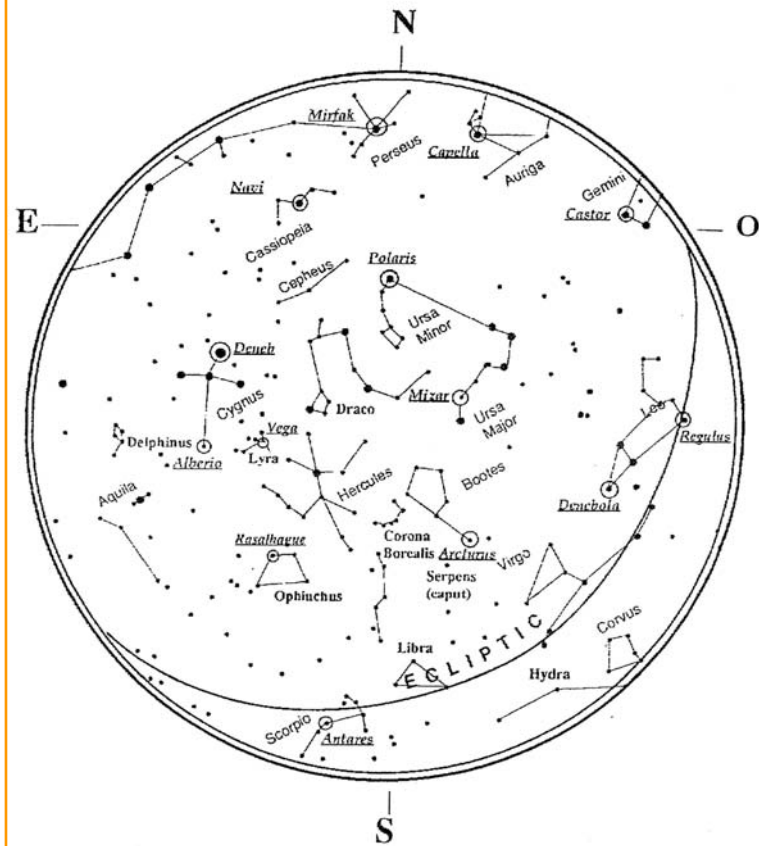
CIEL EN JANVIER - FEVRIER



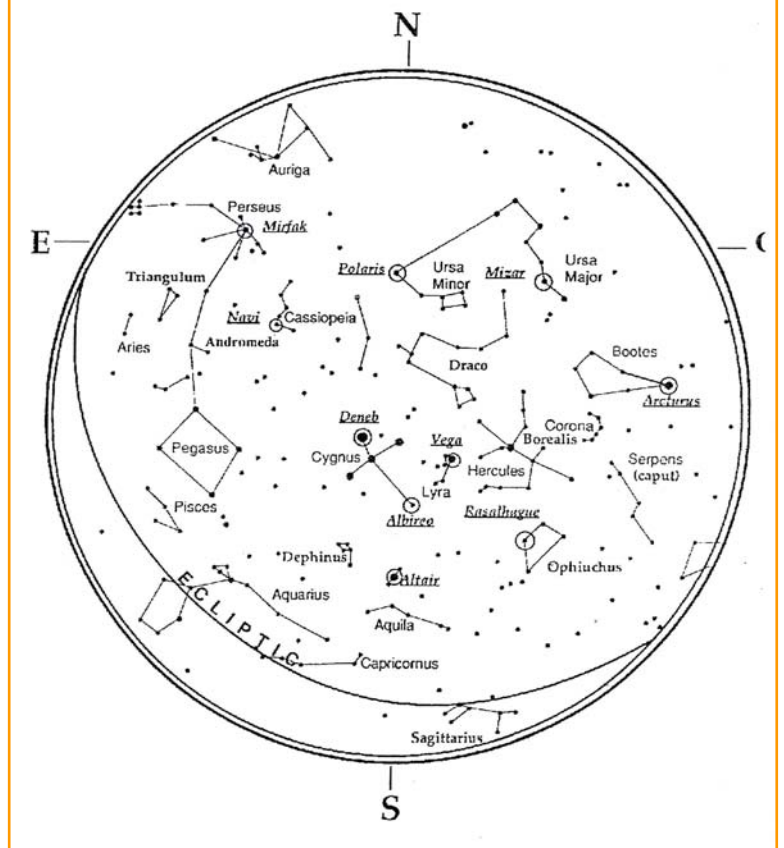
CIEL EN MARS - AVRIL



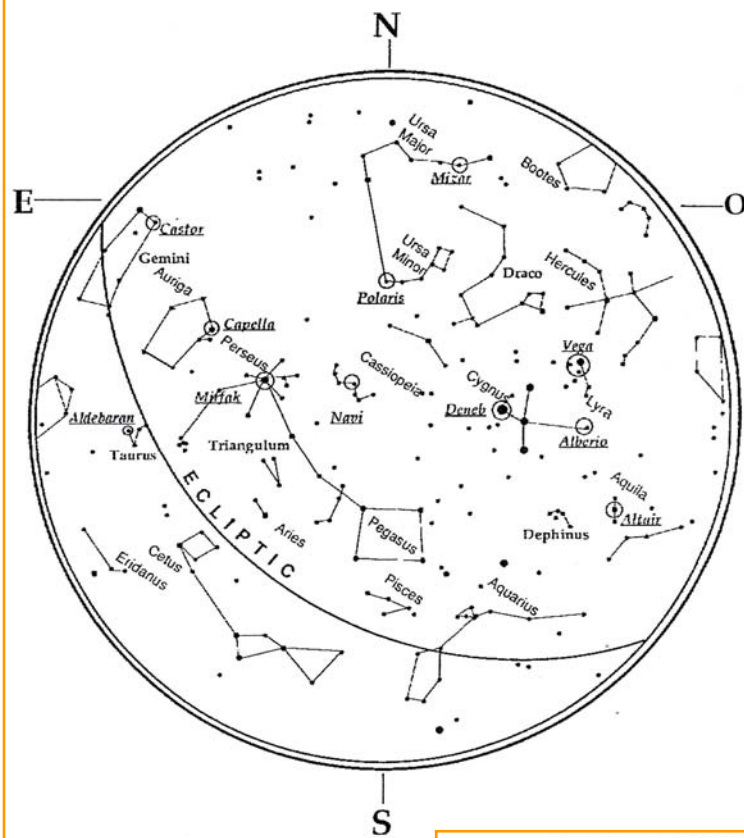
CIEL EN MAI - JUIN



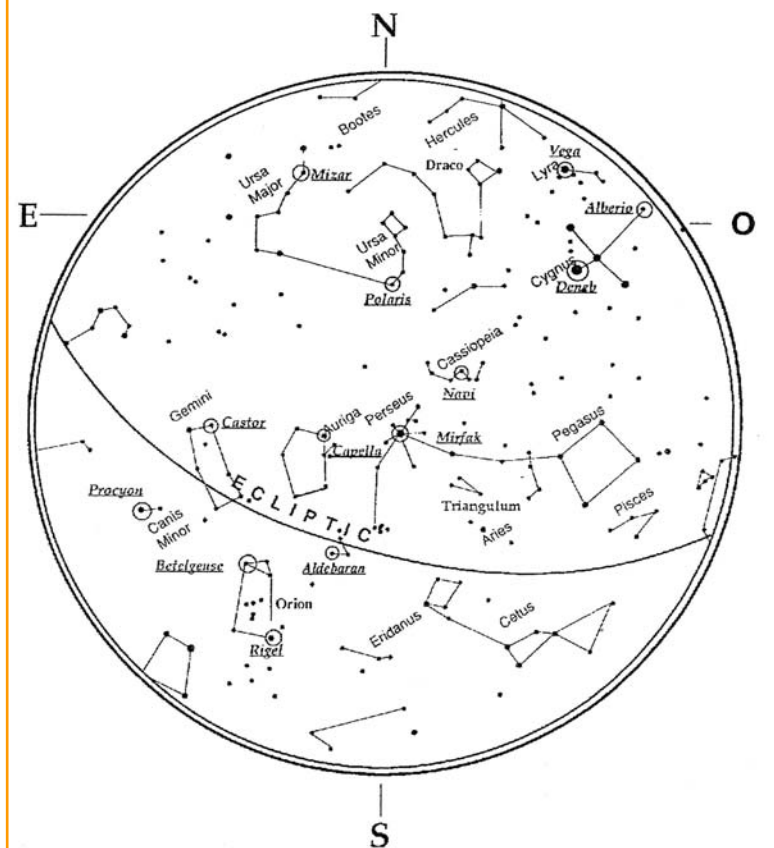
CIEL EN JUILLET - AOUT



CIEL EN SEPTEMBRE - OCTOBRE



CIEL EN NOVEMBRE - DECEMBRE





Photos et équipements non contractuels susceptibles de modifications sans notification préalable

Celestron, marque internationale déposée. Matériel d'origine Chine.
La Société MEDAS se réserve le droit de modifier sans préavis ses modèles ainsi que les caractéristiques et accessoires de ses instruments pour améliorer ou pour n'importe quelles exigences de caractère constructif et commercial

Ce document est la propriété intellectuelle de la Société MEDAS. Il est exclusivement réservé aux instruments diffusés par le réseau MEDAS

C'Esprit Astro

www.medas.fr





AURIGA

CELESTRON[®]



MANUALE DI ISTRUZIONE

NexStar[®] 4^{SE}

NexStar[®] 5^{SE}

CELESTRON **Introduzione**

Congratulazioni per avere acquistato il telescopio Celestron NexStar SE! Il NexStar inaugura una nuova generazione di telescopi computerizzati a puntamento automatico, semplice e di uso facilitato. Il NexStar è pronto per funzionare dopo avere localizzato solo tre oggetti celesti di allineamento. E' la perfetta combinazione tra potenza e portabilità. Se sei un principiante, potrai desiderare di iniziare le osservazioni usando la funzione Sky Tour (escursione nel cielo) incorporata nel NexStar, che ordina al telescopio di cercare gli oggetti più interessanti visibili nel cielo in quella serata, puntandoli automaticamente uno ad uno. Oppure, se sei un astrofilo esperto, apprezzerai il vastissimo database che comprende più di 40000 oggetti celesti, compresi alcuni elenchi personalizzati di tutti i migliori oggetti del cielo profondo, pianeti e stelle doppie. Indipendentemente da quale livello di conoscenza dell'astronomia voi partiate, il NexStar dischiuderà per voi e per i vostri amici tutte le meraviglie dell'Universo.

Alcune delle molte caratteristiche e funzioni di base del NexStar comprendono:

- Incredibile velocità di puntamento di 4° al secondo
- Motori interni con encoder per il rilevamento della posizione del telescopio.
- Pulsantiera di controllo dal disegno ergonomico con database interno di 40000 oggetti celesti.
- Memorizzazione di oggetti definiti dall'utente
- Molte altre funzioni ad alte prestazioni

Le sofisticate funzioni del NexStar si affiancano alla leggendaria qualità ottica Celestron per offrire agli astrofili uno dei telescopi più sofisticati e facili da usare disponibili sul mercato di oggi.

Leggete con calma e con attenzione questo manuale prima di iniziare il vostro viaggio di esplorazione attraverso l'Universo. Potrebbe essere necessario effettuare qualche osservazione per acquistare familiarità con il vostro NexStar, perciò vi consigliamo di tenere a portata di mano questo manuale fino a quando avrete acquisito la completa conoscenza delle funzioni del vostro telescopio. La pulsantiera di controllo del NexStar contiene delle istruzioni incorporate per darvi informazioni nel corso delle procedure di allineamento necessarie per mettere in grado il telescopio di funzionare al pieno delle sue possibilità in pochi minuti. Usate questo manuale assieme alle istruzioni visibili sullo schermo fornite dalla pulsantiera di controllo. Il manuale fornisce informazioni dettagliate relative a ciascuna delle operazioni eseguibili con il telescopio, oltre a fornire informazioni di riferimento e consigli utili per rendere le vostre osservazioni le più semplici e piacevoli possibile.

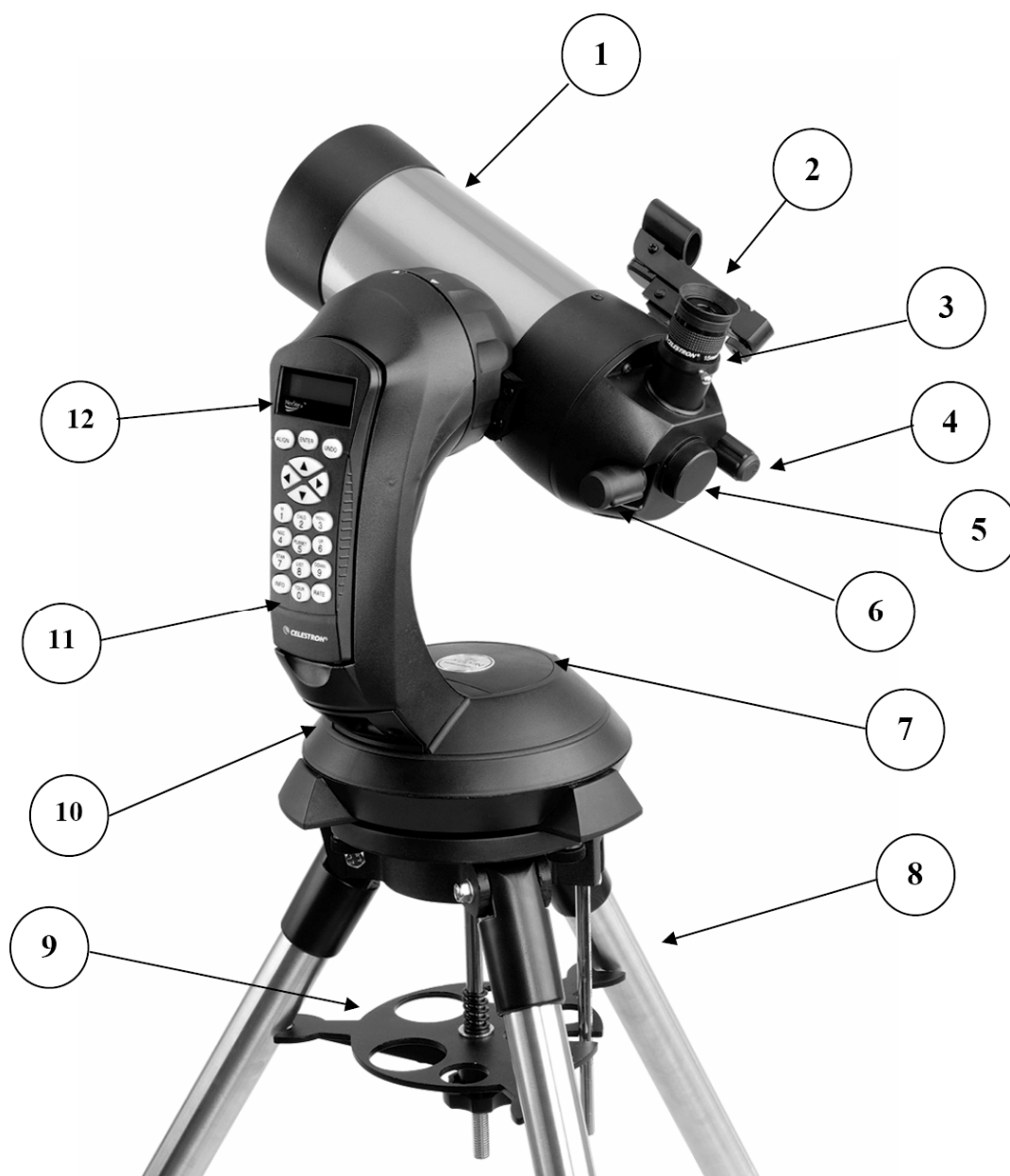
Consigliamo di contattare il gruppo astrofili più vicino, per intraprendere osservazioni del cielo di gruppo o per seguire brevi corsi di astronomia pratica; l'organo ufficiale che coordina tutti i gruppi astrofili è ***l'Unione Astrofili Italiani*** (www.uai.it). Per mantenersi sempre aggiornati o per avere informazioni utili su il cielo del mese e sui telescopi, può essere di grande aiuto visitare periodicamente il sito www.auriga.it, leggere le informazioni riportate sulle riviste mensili reperibili in edicola di cultura Astronomica e Spaziale :

- **Nuovo Orione** www.orione.it – info@orione.it
- **LeStelle** www.lestelle-astronomia.it - redazione@lestelle-astronomia.it
- **Coelum** www.coelum.com – info@coelum.com
- **l'Astronomia** www.lastronomia.it – redazione@lastronomia.it

Il vostro telescopio NexStar è stato progettato per darvi anni di divertimento e di soddisfazioni. Tuttavia, ci sono alcune cose da prendere in considerazione prima di usare il vostro telescopio e che assicureranno la vostra sicurezza e proteggeranno la vostra attrezzatura.

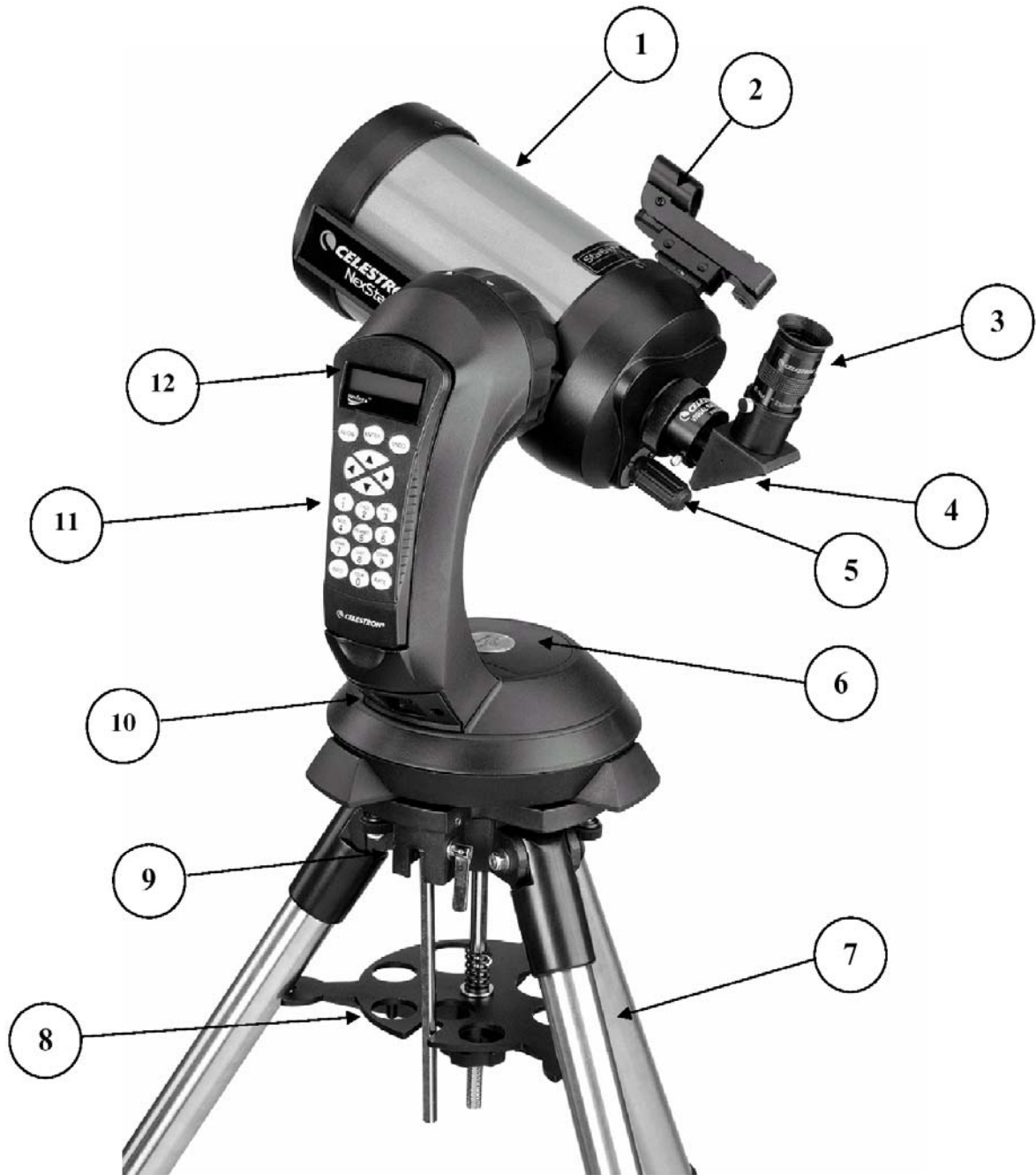
Attenzione!

Non usate mai il telescopio per osservare direttamente il Sole. I vostri occhi subirebbero danni permanenti. Per osservare il Sole usate un filtro appropriato. Quando osservate il Sole, tappate il cercatore per proteggerlo dal calore. Non usate mai filtri solari per oculari e non usate il telescopio per proiettare la luce solare su un'altra superficie. Infatti lo sviluppo del calore dovuto alla radiazione solare danneggerebbe gli elementi ottici del telescopio.



NexStar 4 SE

1	Tubo Ottico Mak	7	Vano Batterie
2	Cercatore Star Pointer	8	Treppiede
3	Oculare	9	Piano Porta Oculari / Tirante
4	Messa a Fuoco	10	Interruttore ON/OFF
5	Filettatura per Raccordo Foto	11	Pulsantiera
6	Leva per Flip Mirror	12	Display



1	Tubo Ottico	7	Treppiede
2	Cercatore Star Pointer	8	Piano porta accessori / Tirante
3	Oculare	9	Testa equatoriale
4	Diagonale a 90°	10	Interruttore ON/OFF
5	Messa a Fuoco	11	Pulsantiera
6	Vano Batterie	12	Display

NexStar 5 SE

Montaggio

Il vostro telescopio NexStar SE viene fornito parzialmente montato e potrà essere pronto per l'uso in pochi minuti. Il NexStar è stato imballato in uno scatolone adatto alla spedizione che contiene i seguenti accessori:

- Oculare 25 mm diametro 31.8 mm
- Cercatore Star Pointer e relativo supporto
- Treppiede in acciaio regolabile con testa equatoriale
- Software di simulazione The Sky Level 1
- Software NexRemote per il controllo del telescopio da PC
- Cavo RS232 per PC
- Cavo di controllo fotocamera Reflex digitali
- Pulsantiera di controllo NexStar SE con database di oggetti incorporato

Il vostro telescopio NexStar viene fornito smontato in due parti principali: il gruppo tubo ottico - montatura a forcella monobraccio ed il treppiede – testa equatoriale.

Per iniziare, togliete tutti gli accessori dalle rispettive scatole. Ricordatevi di conservare tutti i contenitori in modo da poterli riutilizzare quando trasporterete il telescopio. Prima di attaccare tutti gli accessori visuali, bisogna avere prima montato il tutto correttamente.

Il telescopio NexStar SE può essere usato sia in configurazione da tavolo, se possedete un ripiano ben piano dove appoggiare il vostro telescopio (ad esempio un tavolo da giardino o una colonna) oppure montando il treppiede in dotazione, che verrà regolato in modo da adattarsi alla vostra altezza, per le osservazioni itineranti.

Montaggio Treppiede

Per prima cosa bisogna installare il vassoio porta-accessori sulle gambe del treppiede, che funge anche da tirante:

1. Estraete il telescopio dalla sua scatola. Allargate le gambe del treppiede.

2. Inserite il vassoio lungo l'asta centrale del treppiede, allineando l'asola del vassoio con la barra di regolazione della latitudine.

3. Avvitare il pomolo, bloccando il vassoio (vedi foto qui a fianco).

Vi consigliamo di livellare il treppiede e regolare l'altezza delle gambe del treppiede prima di montare la montatura a forcella e il tubo. E' possibile effettuare ulteriori regolazioni più tardi.

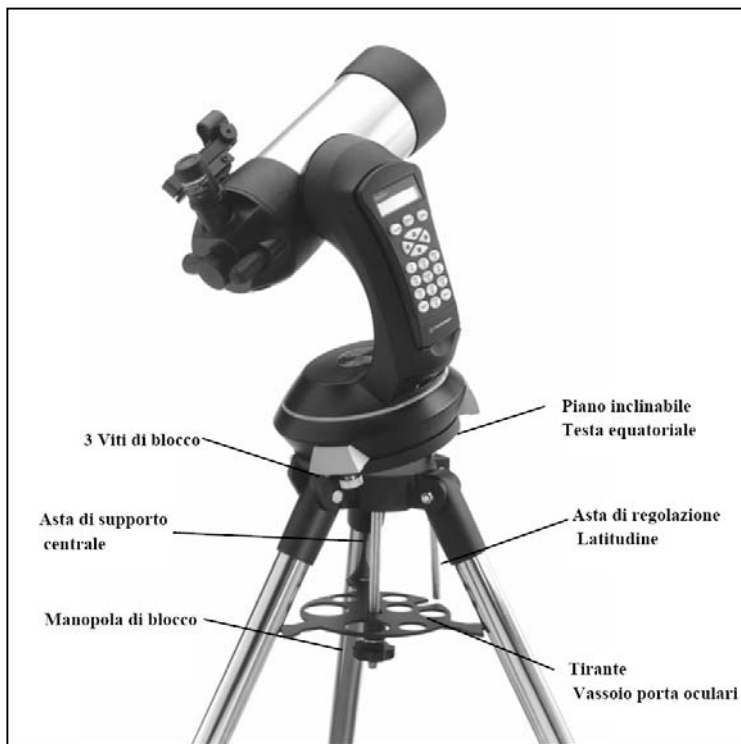
Consigliamo di non allungare troppo le gambe del treppiede, per non compromettere il rapido smorzamento delle vibrazioni ad alti ingrandimenti.

Per regolare l'altezza delle gambe del treppiede:

1. Allentate la leva di blocco situata sul fianco di ciascuna delle gambe del treppiede

2. Estraete la sezione scorrevole (il tubo più piccolo) di ciascuna delle gambe, facendola scorrere verso il basso di 15-20 cm.

3. Mettete in bolla il treppiede allungando o accorciando le ciascuna delle tre gambe, fino a posizionare la bolla d'aria al centro del



cerchietto nero. La livella a bolla d'aria è incorporata al ripiano superiore della tavola equatoriale, che in questa fase di regolazione dovrà essere totalmente abbassata.

4. Stringete le leve di blocco di ciascuna delle gambe per fissarne la lunghezza in modo definitivo.

5. Montate il telescopio sul treppiede bloccandolo con l'ausilio delle tre viti, in questa fase il ripiano superiore della testa equatoriale deve essere abbassato.

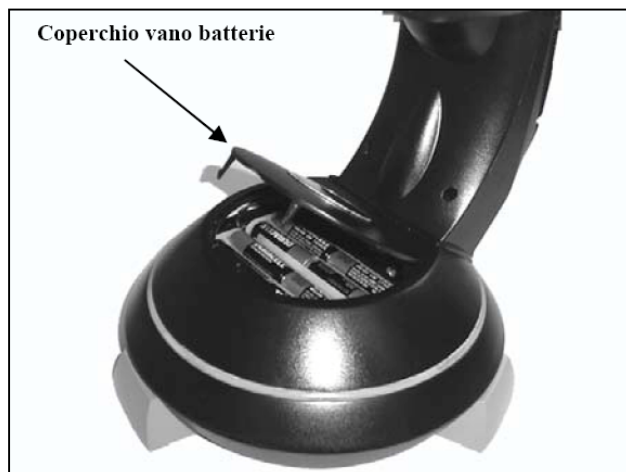
Installazione batterie - Alimentazione esterna

A) Rimuovete il coperchio alla base della montatura sollevandolo verso l'alto.

B) Installate 8 batterie formato AA (stilo 1.5V) nel portabatterie che si trova sotto al coperchio. Fate attenzione a rispettare la corretta polarità delle batterie (consigliamo batterie ricaricabili a lunga durata).

C) Se volete alimentare il telescopio con un fonte esterna (alimentatore stabilizzato 12V oppure Batteria a piombo 12V) dovete collegarla all'apposita presa (accanto all'interruttore On/Off).

NOTA IMPORTANTE - Se volete usare un alimentatore da collegare alla rete elettrica domestica, usate solo modelli **stabilizzati** da almeno 12V/1A come l'Adattatore AC per NexStar (230V-50Hz) (codice AU18770), oppure il Celestron Power Tank (codice CE18774). Lo spinotto di alimentazione ha il polo + al centro.



ATTENZIONE : in condizioni di basse temperature, l'alimentazione a batterie è la meno indicata, comportando potenziali interruzioni di tensione, anche a batterie pienamente cariche.

Installazione pulsantiera

La pulsantiera è posizionata sul braccio della forcella e può essere rimosso per essere usata a distanza. Per rimuovere la pulsantiera dalla culla della forcella, alzatela delicatamente verso l'alto ed estrarre. Con il telescopio Nexstar alimentato ed acceso potete già controllare gli spostamenti nelle direzioni Alto/Basso – Destra/Sinistra, premendo le frecce direzionali sulla pulsantiera. Consigliamo di utilizzare i tasti per spostare il tubo del telescopio fino a che non sia approssimativamente parallelo alla terra, ciò lo renderà più comodo per montare gli accessori necessari, così come rimuove la copertura di obiettivo anteriore.

L'oculare (NexStar 4SE)

L'oculare è un sistema ottico che ingrandisce le immagini prodotte dal telescopio. Gli oculari si inseriscono direttamente nel portaoculari. Per inserire un oculare:

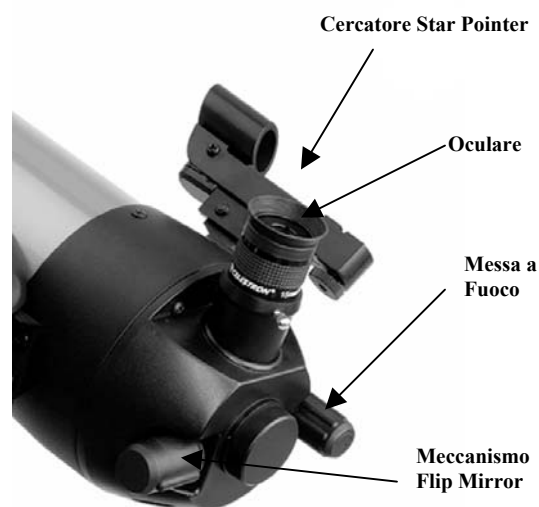
1. Svitare la vite sul portaoculari fino a quando non sporge più dall'interno del foro.

2. Inserite nel foro del portaoculari la parte cromata dell'oculare (ad esempio l'oculare 25mm)

3. Serrate la vite del portaoculari per bloccare l'oculare.

Per togliere l'oculare, allentate la vite sul portaoculari ed estraete l'oculare tirandolo verso l'esterno. Potrete così sostituirlo con un altro oculare.

Gli oculari vengono classificati in base alla lunghezza focale e al diametro del barilotto. La lunghezza focale di ogni oculare è incisa sulla montatura dell'oculare. Quanto maggiore è la focale (cioè più grande è il suo numero) tanto minore sarà l'ingrandimento dato dall'oculare e viceversa. In generale, osserverete gli oggetti celesti usando ingrandimenti bassi e medi. Per maggiori informazioni su come determinare l'ingrandimento, consultate la sezione "Calcolo dell'ingrandimento".



L'oculare (NexStar 5SE)

L'oculare è un sistema ottico che ingrandisce le immagini prodotte dal telescopio. Gli oculari si inseriscono direttamente nel portaoculare. Per inserire un oculare:

1. Svitare la vite sul portaoculare fino a quando non sporge più dall'interno del foro.
2. Inserire nel foro del portaoculare la parte cromata dell'oculare (ad esempio l'oculare 25mm)
3. Serrare la vite del portaoculare per bloccare l'oculare.

Per togliere l'oculare, allentare la vite sul portaoculare ed estrarre l'oculare tirandolo verso l'esterno. Potrete così sostituirlo con un altro oculare.

Gli oculari vengono classificati in base alla lunghezza focale e al diametro del barilotto. La lunghezza focale di ogni oculare è incisa sulla montatura dell'oculare. Quanto maggiore è la focale (cioè più grande è il suo numero) tanto minore sarà l'ingrandimento dato dall'oculare e viceversa. In generale, osserverete gli oggetti celesti usando ingrandimenti bassi e medi. Per maggiori informazioni su come determinare l'ingrandimento, consultate la sezione "Calcolo dell'ingrandimento".



Il diametro del barilotto di un oculare è il diametro del tubetto cromato che si infila nel diagonale o nel foceggiatore. I diametri standard dei barilotti sono: 24.5mm (obsoleto), 31.8mm (universale) e 50.8mm (dedicato ai grandi telescopi). I telescopi NexStar SE utilizzano oculari e accessori standard diametro 31.8mm.

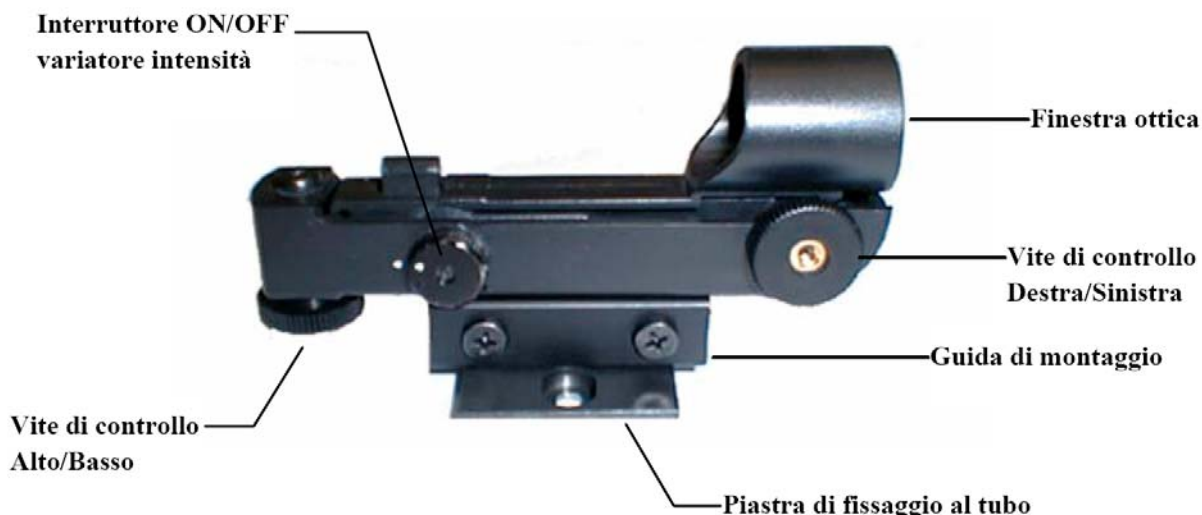
La Messa a Fuoco

Per mettere a fuoco il vostro telescopio, ruotate la manopola del foceggiatore fino ad ottenere un'immagine nitida.

Per iniziare può essere utile puntare un campanile lontano o la Luna usando un oculare a bassi ingrandimenti, ad esempio usando il 25mm e ricercare l'immagine più definita.

Il Cercatore Star Pointer

Lo Star Pointer è il mezzo più rapido e facile per puntare il vostro telescopio esattamente verso l'oggetto celeste desiderato. E' come avere un puntatore laser che voi potete puntare direttamente verso il cielo notturno. Lo Star Pointer è un dispositivo di puntamento ad ingrandimento zero che fa uso di una lastrina di vetro trattato con sovrapposta l'immagine di un punto luminoso di colore rosso ben visibile sullo sfondo del cielo stellato. Tenendo aperti entrambi gli occhi mentre guardate all'interno dello Star Pointer, muovete il telescopio fino a quando il punto rosso generato dallo Star Pointer verrà sovrapposto all'oggetto visibile dall'altro occhio. Il punto rosso viene generato per mezzo di un LED (diodo luminoso); non si tratta di un laser e non danneggerà la lastrina di vetro o il vostro occhio. Lo Star Pointer viene fornito con un potenziometro per regolare la luminosità del LED, supporto per la regolazione della direzione di puntamento (in due assi) e un supporto per il montaggio sul telescopio. Lo Star Pointer non è immediatamente pronto per l'uso, perché prima deve essere montato sul tubo del telescopio e poi deve essere allineato.



Installazione del cercatore Star Pointer

1. Inserite il supporto dello Star Pointer nelle piattaforma a coda di rondine montata sul tubo ottico, facendo in modo che il tubo di mira sia orientato verso la parte anteriore del tubo del telescopio.
2. Fissate il supporto dello Star Pointer stringendo le due viti laterali.

Il Funzionamento dello Star Pointer

Lo Star Pointer è alimentato con una pila a lunga durata da 3 volt al Litio (CR2032) situata al di sotto della sezione frontale dello Star Pointer. Come tutti i cercatori, lo Star Pointer deve essere allineato con il telescopio principale prima di essere usato. Questa operazione è molto semplice da eseguire, e prevede l'uso di manopole per la regolazione in azimut e in altezza localizzate di fianco e al di sotto dello Star Pointer. La cosa migliore è di eseguire la procedura di allineamento di notte perché il LED sarà difficile da vedere con la luce diurna.

Per allineare il cercatore Star Pointer:

1. Prima di usare lo Star Pointer, dovete per prima cosa ruotare la linguetta protettiva di plastica che si trova tra la batteria e il contatto elettrico del cercatore.
2. Per accendere lo Star Pointer, portate l'interruttore On/Off sulla posizione On. Per aumentare il livello di luminosità del punto rosso, portate l'interruttore sulla posizione "2 On".
3. Localizzate una stella, la Luna o un pianeta brillante e centratela all'interno di un oculare a basso ingrandimento nel telescopio principale. Se desiderate eseguire l'operazione di giorno puntate la punta di un campanile o un'antenna lontana.
4. Tenendo aperti entrambi gli occhi, guardate attraverso la lastrina di vetro in direzione della stella di allineamento.
5. Se lo Star Pointer è perfettamente allineato, vedrete il LED rosso sovrapposto alla stella di allineamento. Se lo Star Pointer non è allineato, memorizzate la posizione del punto rosso rispetto alla stella.
6. Senza spostare il telescopio principale, ruotate le manopole di regolazione dell'allineamento in azimut e in altezza dello Star Pointer fino a sovrapporre il punto rosso alla stella di allineamento.

Lo Star Pointer è ora pronto per l'uso. Ricordatevi di spegnere sempre il LED dopo avere puntato un oggetto. Questo allungherà notevolmente la durata della pila e del LED.

Per l'identificazione di oggetti particolarmente deboli o per la ricerca diurna dei pianeti luminosi consigliamo un cercatore ottico 9x50 da 5° di campo (CE93783-8).

Rimozione del tubo ottico

Per smontare il tubo ottico dalla montatura, svitate la manopola di blocco e sfilate la barra a coda di rondine. La montatura può ospitare anche altri piccoli tubi ottici compatibile con la barre a coda di rondine universale. Consigliamo di non montare tubi ottici troppo lunghi (max 40cm) ed entro i 3-4kg di peso.



La Pulsantiera

Il NexStar SE possiede una pulsantiera progettata per fornirvi un accesso istantaneo a tutte le funzioni che il NexStar vi offre. Con il puntamento automatico di più di 40000 oggetti, e con i menu ricchi di descrizioni comprensibili a tutti, anche un principiante può padroneggiare la sua grande varietà di funzioni dopo avere fatto un minimo di pratica. Qui di seguito potrete leggere una breve descrizione dei componenti individuali della pulsantiera del NexStar SE:

1. **Schermo a Cristalli Liquidi (LCD):** Composto da uno schermo da 2 righe di 16 caratteri ciascuno, retroilluminato per una visione più chiara delle informazioni riguardanti il telescopio, e dotata di testo scorrevole.
2. **Align (allineamento):** Istruisce il NexStar una stella o un oggetto selezionato per l'impostazione di una posizione di allineamento.
3. **Tasti Direzionali:** Consentono un completo controllo del NexStar in ogni direzione. Usate i tasti direzionali per muovere il telescopio verso una stella iniziale di allineamento oppure per centrare gli oggetti nell'oculare.
4. **Tasti di accesso ai Cataloghi:** Il NexStar possiede una serie di tasti sulla pulsantiera per consentire l'accesso diretto a ciascuno dei cataloghi in cui è organizzato il suo archivio di oggetti. Il NexStar contiene, nel suo archivio, i seguenti cataloghi astronomici:

Messier – L'elenco completo degli oggetti Messier

NGC – L'elenco completo di tutti gli oggetti del cielo profondo del Revised New General Catalog.

Caldwell – Una combinazione degli oggetti più belli ricavati dai cataloghi NGC e IC

Planets - Tutti gli 8 pianeti del nostro Sistema Solare, più la Luna e il Sole.

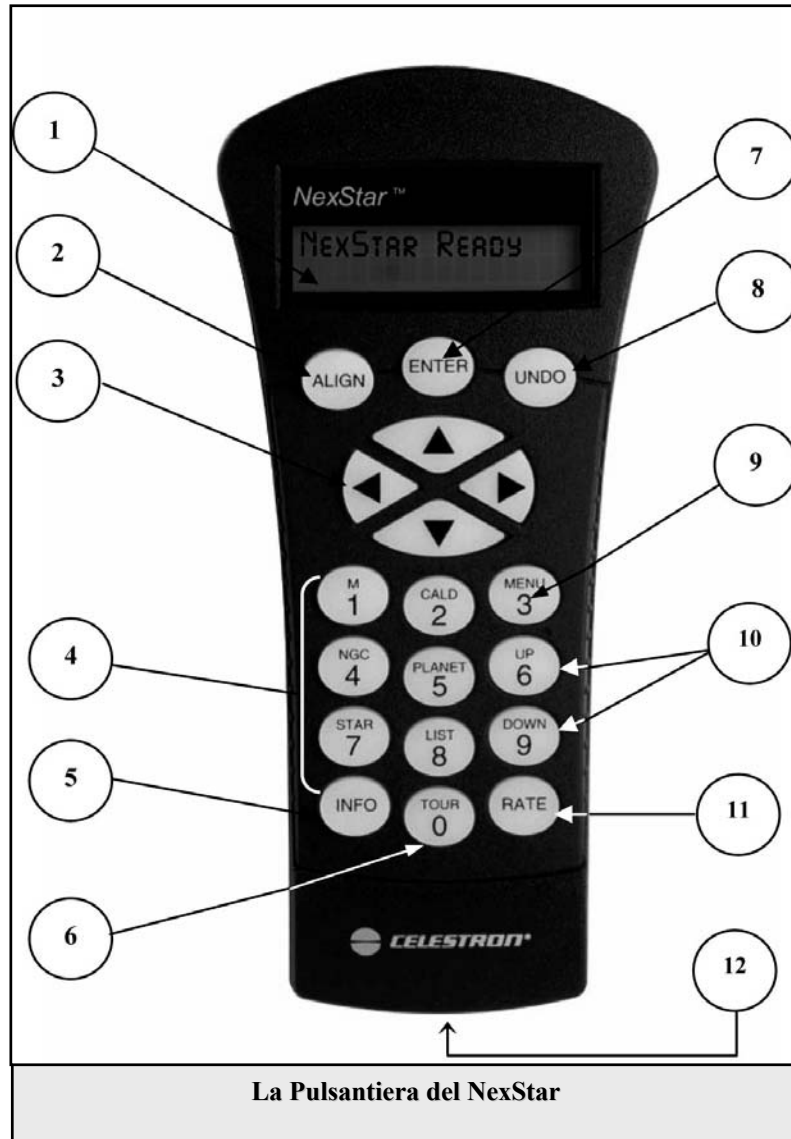
Stars – Una lista delle stelle più brillanti del cielo ricavate dal catalogo SAO.

List – Per un accesso più rapido, tutti gli oggetti più belli e più famosi dell'archivio del NexStar sono stati separati in elenchi basati sul loro tipo e/o sul loro nome comune:

Named Stars (stelle con nome)	Elenco dei nomi comuni delle stelle più luminose del cielo.
Named Objects (oggetti con nome)	Elenco alfabetico di più di 50 degli oggetti del cielo profondo più famosi
Double Stars (stelle doppie)	Elenco numero-alfabetico delle stelle binarie, triple e quaduple visuali più belle del cielo..
Variable Stars (stelle variabili)	Elenco selezionato delle stelle variabili a breve periodo.
Asterisms (asterismi)	Un elenco unico di alcuni degli asterismi (raggruppamenti notevoli di stelle) più noti del cielo.

Il Funzionamento della Pulsantiera

Questa sezione descrive le procedure di base necessarie per far funzionare il NexStar. Queste procedure sono raggruppate in tre categorie: Allineamento, Impostazioni e Utilità- La sezione relativa all'Allineamento si occupa dell'allineamento iniziale del telescopio e della ricerca degli oggetti nel cielo; la sezione relativa alle impostazioni (Setup) spiega come si modificano i parametri, ad esempio la modalità e la velocità di inseguimento e l'impostazione di filtri e limiti per i movimenti del telescopio; infine, l'ultima sezione si occupa di tutte le funzioni di utilità come l'impostazione dei limiti nel movimento del telescopio e la compensazione del backlash.



Le Procedure di Allineamento

Per permettere al NexStar di puntare accuratamente gli oggetti celesti, esso deve essere allineato, all'inizio delle osservazioni, con alcune posizioni (stelle) conosciute nel cielo. Dopo avergli fornito queste informazioni, il telescopio può creare un modello del cielo, che esso utilizza per localizzare ogni altro oggetto di coordinate conosciute. Ci sono due modi per allineare il NexStar con il cielo, che dipendono da quali informazioni l'utente è in grado di fornire al telescopio: la **modalità di allineamento Sky Align** fa uso della data, orario e città per creare un modello accurato del cielo. Da quel momento in poi l'utente dovrà semplicemente puntare il telescopio su tre oggetti luminosi visibili nel cielo per allineare con precisione il telescopio rispetto al cielo. La modalità **Auto Two Star Align** chiederà all'utente di scegliere e centrare la prima stella di allineamento, e poi il NexStar sceglierà e punterà automaticamente la seconda stella per l'allineamento. La modalità **Two-Star Alignment** (allineamento a due stelle) richiede che l'utente riconosca e punti manualmente il telescopio sulle due stelle di allineamento. La modalità **One-Star Align** (allineamento a una stella) è come la modalità a due stelle, ma chiede all'utente di allineare il telescopio su una sola stella. Anche se non è precisa come le altre modalità di allineamento, la modalità One Star Align è il modo più veloce per cercare e inseguire pianeti brillanti e oggetti in modalità altazimutale. Infine la modalità **Solar System Align** (allineamento sul Sistema Solare) mostrerà sullo schermo un elenco di tutti gli oggetti visibili di giorno (pianeti e Luna) disponibili per allineare il telescopio. Consigliamo sempre di "raffinare" l'allineamento delle stelle di riferimento ad alti ingrandimenti (almeno 150x) per aumentare successivamente la precisione di puntamento, da eseguire con ingrandimenti medio-bassi (50x). Ognuno dei metodi di allineamento viene discusso dettagliatamente qui di seguito.

Definizione: Il nome "Altazimutale" o "Alt-Az" si riferisce al tipo di montatura che consente al telescopio di muoversi sia in altezza (alto-basso) che in azimut (destra-sinistra) rispetto al terreno. Questo il tipo più semplice di montatura in cui il telescopio viene fissato direttamente al treppiede senza usare la testa equatoriale (piano totalmente abbassato).

Allineamento Sky Align

L'allineamento Sky Align è il modo più semplice per ottenere l'allineamento del vostro telescopio e per iniziare velocemente le osservazioni. Anche se non conoscete nessuna stella del cielo, il NexStar vi farà eseguire l'allineamento in pochi minuti chiedendovi alcune semplici informazioni come l'ora, la data, e la località di osservazione. A questo punto dovrete solo puntare il telescopio verso tre oggetti luminosi nel cielo. Siccome la modalità Sky Align non richiede che l'utente conosca il cielo notturno, non è necessario che l'utente conosca i nomi delle stelle che sta puntando. Potrete anche scegliere di puntare un pianeta o la Luna. Il NexStar sarà quindi pronto per trovare e inseguire gli oltre 40000 oggetti contenuti nel suo database. Prima di allineare il telescopio, esso deve essere montato all'aperto con tutti gli accessori standard montati (oculare, eventuale diagonale e cercatore) e con il tappo dell'ottica rimosso, come descritto nella sezione relativa al Montaggio, presente all'inizio di questo manuale. Per iniziare l'allineamento Sky Align:

1. Accendete il NexStar portando l'interruttore, che si trova alla base del braccio della montatura del telescopio, sulla posizione "on". Dopo l'accensione, sul display apparirà la scritta "NexStar SE". Premete ENTER per scegliere l'opzione *Sky Align*. Premendo il tasto ALIGN, il sistema salterà le altre opzioni di allineamento e il testo scorrevole darà inizio all'allineamento *Sky Align*.
2. Dopo avere selezionato Sky Align, la pulsantiera mostrerà il messaggio "Enter if OK" (premere Enter per confermare), "Undo to edit" (premere Undo per modificare). La riga inferiore dello schermo della pulsantiera mostrerà l'ora attuale o l'ora in cui avete usato il telescopio nell'osservazione precedente. Siccome state usando il vostro NexStar per la prima volta, premete UNDO per inserire le informazioni relative all'ora e alla data correnti.

La pulsantiera ora vi chiederà le seguenti informazioni:

Location (località) - Il Nexstar mostrerà un elenco di città da cui scegliere. Scegliete la città, tra quelle elencate sullo schermo, più vicina alla vostra località di osservazione. La città che sceglierete verrà memorizzata nella memoria della pulsantiera in modo che essa verrà visualizzata automaticamente nel corso del successivo allineamento. In alternativa, se voi conoscete le esatte coordinate geografiche - longitudine e latitudine - della vostra località osservativa, esse potranno essere inserite direttamente nella pulsantiera e memorizzate per il loro uso futuro. Per scegliere una città:

- ❑ Usate i tasti Up e Down per scegliere tra le opzioni City Database e Custom Site. selezionare **Choose City**, se la scritta non è già presente sullo schermo, e premete ENTER. L'opzione City Database vi permette di scegliere la città più vicina al vostro sito osservativo da una lista di città internazionali oppure americane (US). L'opzione Custom Site vi permette invece di inserire l'esatta longitudine e latitudine della vostra località di osservazione, in Appendice sono riportate le coordinate delle principali città italiane). Selezionate City Database e premete ENTER.
- ❑ La pulsantiera vi darà ora la possibilità di scegliere tra località degli Stati Uniti d'America (U.S.) **o tra le località internazionali**. Per ottenere l'elenco delle località statunitensi, divise per stato e per città, premete ENTER mentre sullo schermo è visibile la scritta **United States**. Per ottenere invece l'elenco delle località internazionali, usate i tasti Su/Giù (UP e DOWN corrispondenti ai tasti 6 e 9) per selezionare l'opzione **International** e premete ENTER.
- ❑ Per visualizzare l'elenco delle città locali, selezionate per prima cosa il vostro stato (**Italy**) dall'elenco alfabetico (oppure una lista di paesi, se avete scelto l'opzione delle località internazionali) e premete ENTER.
- ❑ Scegliete dall'elenco visualizzato sullo schermo la città più vicina al vostro luogo di osservazione e premete ENTER.

Time (Inserimento dell'Orario) - Ora lo schermo della pulsantiera vi chiederà di inserire l'ora dell'osservazione. Potete usare il formato 12 ore oppure 24 ore. Ad esempio, se effettuate l'allineamento alle 20.00 potete inserire direttamente 20 00, oppure 08 00.

- ❑ Scegliete PM (pomeridiano) oppure AM (antimeridiano) per indicare se effettuate l'allineamento alla mattina (AM) o alla sera (PM). Se però avete inserito un orario nel formato 24 ore, come le 20 00 del nostro esempio, il software salterà questo passo.
- ❑ Ora dovete scegliere l'opzione tra ora Standard (ora invernale) oppure Daylight Saving (ora legale estiva). Usate i tasti di scorrimento UP e DOWN (6 e 9) per selezionare una delle due opzioni.

- ❑ La pulsantiera vi chiederà il vostro fuso orario. L'Italia si trova nel fuso orario +1. Usate i tasti di scorrimento UP e DOWN (6 e 9) per scorrere tra i vari fusi orari disponibili.

Date (inserimento della data di osservazione) - Inserite la data dell'osservazione nel formato MESE, GIORNO, ANNO. Sullo schermo è indicato il formato corretto dei dati da inserire, cioè mm/dd/yy (mm/gg/aa). **Attenzione!** Se farete confusione inserendo, nel modo usato in Italia, prima il giorno e poi il mese, darete un'informazione scorretta al computer di puntamento, provocando un errato funzionamento del telescopio.

- Se vi accorgete, durante la digitazione dei numeri, di avere inserito una informazione errata nella pulsantiera, potete usare il tasto UNDO come un tasto di cancellazione all'indietro (backspace), e potete re-inserire l'informazione.
- Nel corso dell'allineamento successivo con il telescopio, la pulsantiera visualizzerà automaticamente l'ultima località inserita (sia essa una città o una coppia di coordinate geografiche). Premete ENTER per accettare questi parametri, se saranno ancora validi per la vostra situazione. Premete invece UNDO se volete tornare indietro e selezionare una nuova città o inserire nuove coordinate geografiche.
- 3. Usate i tasti direzionali della pulsantiera per muovere il telescopio verso un qualsiasi oggetto celeste brillante visibile nel cielo in quel momento. Per prima cosa puntatela usando il cercatore a punto rosso, e premendo ENTER quando il punto luminoso rosso coinciderà con la stella luminosa.
- 4. Se il cercatore sarà stato allineato correttamente con il telescopio principale, la stella di allineamento sarà visibile anche nell'oculare del telescopio. Lo schermo della pulsantiera vi chiederà di centrare la stella luminosa nel campo nell'oculare e di premere, al termine dell'operazione, il tasto ALIGN. Questo farà accettare la prima stella come stella di allineamento. (Non è necessario regolare la velocità dei motori dopo ciascuno dei passaggi del processo di allineamento. Il NexStar selezionerà automaticamente la velocità più adatta per l'allineamento degli oggetti sia nel cercatore che nell'oculare del telescopio).
- 5. Individuate e puntate nello stesso modo - usando i tasti direzionali della pulsantiera - una seconda stella luminosa o un pianeta, scelta tra quelle più lontane possibili dalla prima stella. Centratela nel cercatore e premete ENTER; poi centratela nell'oculare del telescopio e premete ALIGN.
- 6. Ripetete il procedimento anche per la terza stella o pianeta. Quando il telescopio sarà stato allineato sulla stella finale, lo schermo mostrerà il messaggio "**Match Confirmed**" (Corrispondenza Confermata). Premete UNDO per visualizzare i nomi delle tre stelle (o oggetti celesti luminosi) che avete usato per l'allineamento oppure premete ENTER per accettare questi tre oggetti per l'allineamento. Ora siete finalmente pronti a cercare il vostro primo oggetto celeste.

Consigli per l'Uso della funzione Sky Align

Quando eseguite un allineamento con la modalità Sky Align, tenete sempre ben presenti i seguenti consigli per ottenere un allineamento il più possibile preciso e veloce.

- Ricordatevi di mettere in bolla il treppiede prima di iniziare l'allineamento. Le informazioni relative alla data, all'ora e alla località, assieme ad un treppiede ben livellato aiuteranno il telescopio a determinare con migliore precisione quali stelle e pianeti brillanti saranno disponibili per l'allineamento al di sopra dell'orizzonte.
- Ricordatevi di selezionare gli oggetti di allineamento i più lontani possibile gli uni dagli altri. Per ottenere i migliori risultati accertatevi che la terza stella di allineamento non si trovi allineata in una linea diretta che passa tra le prime due stelle. Questo potrebbe dare luogo ad un allineamento fallito.
- Non preoccupatevi di confondere i pianeti per stelle quando selezionate gli oggetti di allineamento. La modalità Sky Align funziona con i quattro pianeti più luminosi (Venere, Giove, Saturno e Marte) ed anche con la Luna. Oltre ai pianeti, la pulsantiera tiene in considerazione più di 80 stelle luminose di allineamento tra cui scegliere (fino alla magnitudine 2.5).
- Capita raramente che la modalità Sky Align non sia in grado di determinare quali siano le tre stelle di allineamento che sono state centrate dall'utente. Questo accade talvolta quando un pianeta luminoso o la Luna passa vicino ad una delle stelle luminose. In situazioni come questa è meglio provare ad evitare di allineare con questi due oggetti vicini, se possibile.
- Per ottenere la precisione di allineamento più precisa possibile, centrate sempre le stelle di allineamento usando gli stessi movimenti finali nelle direzioni eseguite dal comando GoTo Approach (per default queste saranno quelle che prevedono l'uso dei tasti direzionali Alto e Destro della pulsantiera). Avvicinandosi alla stella da queste direzioni mentre state guardando nell'oculare eliminerà gran parte dei giochi meccanici (backlash) tra gli ingranaggi di trasmissione dei movimenti e assicurerà la maggiore precisione di allineamento possibile.

Auto Two-Star Align (allineamento automatico a due stelle)

Come nella modalità Sky Align, la modalità di allineamento Auto Two-Star Align richiede che l'utente inserisca nella pulsantiera l'ora, la data e la località di osservazione. Una volta ottenute queste informazioni, il NexStar vi chiederà di puntare il telescopio in direzione di una stella conosciuta visibile nel cielo. Il NexStar avrà a questo punto tutte le informazioni necessarie per scegliere automaticamente una seconda stella che assicurerà un allineamento molto preciso. Una volta selezionata la seconda stella di allineamento, il telescopio andrà automaticamente a puntarla per completare l'allineamento. Con il NexStar montato all'aperto, con tutti gli accessori visuali montati e con il treppiede livellato, seguite queste istruzioni un passo per volta per allineare il telescopio:

1. Una volta acceso il NexStar, premete ENTER per iniziare l'allineamento.
2. Usate i tasti di scorrimento Up e Down (10) per selezionare *Auto Two-Star Align*, e premete ENTER.
3. La pulsantiera mostrerà l'ora, la data e la località dell'ultima osservazione che avete effettuato. Usate i tasti direzionali Up e Down per scorrere tra le informazioni visibili sullo schermo. Premete ENTER per accettare i dati visualizzati sullo schermo oppure UNDO per modificare manualmente le informazioni (consultate la sezione in cui viene descritta la modalità Sky Align per leggere le istruzioni dettagliate sull'inserimento dei dati sull'ora, la data e la località).
4. La pulsantiera vi chiederà a questo punto di scegliere una stella luminosa dall'elenco visibile sullo schermo. Usate i tasti Up and Down (6 e 9 sulla tastiera) per far scorrere l'elenco fino a raggiungere la stella desiderata e quindi premete ENTER:
5. Usate i tasti direzionali per puntare il telescopio verso la stella che avete scelto. Centrate la stella nel reticolo del cercatore e premete ENTER. Infine, centrate la stella nell'oculare e premete ALIGN.
6. Basandosi su questa informazione, il NexStar visualizzerà automaticamente la stella di allineamento più adatta, tra quelle visibili al di sopra dell'orizzonte. Premete ENTER per far puntare automaticamente al telescopio la seconda stella. Se per qualche motivo non volete usare questa stella (ad esempio perché si trova dietro un albero o un edificio), potete prendere queste decisioni alternative:
 - Premete il tasto UNDO per visualizzare un'altra stella adatta per l'allineamento.
 - Usate i tasti UP e DOWN per scegliere manualmente tra le stelle disponibili, fino ad individuarne una che voi considerate adatta per lo scopo.

Una volta visualizzata sullo schermo la stella desiderata, premete ENTER per far puntare automaticamente al telescopio la stella prescelta. Al termine del puntamento, lo schermo vi chiederà di usare i tasti direzionali per centrare la stella sul reticolo del cercatore. Una volta centrata la stella nel cercatore, premete ENTER. Lo schermo a questo punto vi chiederà di centrare la stella nel campo dell'oculare del telescopio. Quando la stella sarà stata centrata, premete ALIGN per accettare questa stella come seconda stella di allineamento. Quando il telescopio sarà stato allineato su entrambe le stelle, lo schermo mostrerà il messaggio Align Success (Allineamento riuscito) e sarete pronti per puntare il vostro primo oggetto.

Two Star Alignment (Allineamento manuale con due stelle)

Con il metodo di allineamento con due stelle, il NexStar richiede all'utilizzatore di conoscere la posizione di due stelle luminose per poter allineare con precisione il telescopio con il cielo ed iniziare la ricerca degli oggetti. Ecco una descrizione generale della procedura di allineamento con due stelle:

1. Una volta acceso il NexStar, premete ENTER per iniziare l'allineamento, usate i tasti di scorrimento Up e Down per selezionare la voce **Two Star Align**, e premete ENTER.
2. Premete ENTER per accettare i dati relativi alla data, all'ora e alla località visualizzati sullo schermo, oppure premete UNDO per inserire nuovi dati più aggiornati.
3. Apparirà il messaggio **SELECT STAR 1** (selezionare stella 1) nella riga superiore dello schermo. Usate i tasti di scorrimento UP e Down (10) per selezionare la stella che volete usare come prima stella di allineamento. Premete ENTER.
4. Il NexStar vi chiederà di centrare nell'oculare la stella che avete scelto. Usate i tasti direzionali per andare a puntare la stella di allineamento e centrarla nel campo dell'oculare. Premete ENTER quando l'avrete centrata.
5. A questo punto centrate la stella nell'oculare e premete ALIGN per accettare la posizione

Per riuscire a centrare con precisione la stella di allineamento nell'oculare, potrebbe essere necessario diminuire la velocità di spostamento del telescopio. Per diminuire la velocità dei motori premete il tasto RATE (11) sulla pulsantiera e selezionate il numero, compreso tra 1 e 9, corrispondente alla velocità desiderata (9 = più veloce, 1 = più lenta).

6. Il NexStar adesso vi chiederà di selezionare e centrare una seconda stella di allineamento e di premere di nuovo il tasto ALIGN. E' meglio scegliere stelle di allineamento piuttosto distanti l'una dall'altra. Stelle distanti almeno 40° - 60° tra loro vi daranno un allineamento più preciso di quello ottenibile se sceglierete stelle vicine.

Dopo avere eseguito l'allineamento della seconda stella, sullo schermo comparirà il messaggio **Alignment Successful** (allineamento riuscito), e sentirete avviarsi i motori per iniziare l'inseguimento.

One-Star Align (allineamento ad una stella)

La modalità di allineamento One Star Align richiede all'utente di inserire le stesse informazioni richieste nella modalità Two Star Align. Tuttavia, invece di andare a puntare le due stelle di allineamento per centrarle e allineare, il NexStar userà una sola stella per effettuare un modello del cielo basandosi sulle informazioni già fornite. Questo vi permetterà di andare a puntare in modo approssimativo verso le coordinate di oggetti luminosi come la Luna o i pianeti e darà al NexStar le informazioni richieste per inseguire gli oggetti in altazimutale in ogni parte del cielo. La modalità One Star Align non è adatta per localizzare con precisione piccoli o deboli oggetti del cielo profondo o per inseguire con precisione gli oggetti per l'astrofotografia.

Per usare l'allineamento One-Star Align:

1. Selezionate One-Star Align tra le opzioni di allineamento.
2. Premete ENTER per accettare i dati relativi alla data, all'ora e alla località visualizzati sullo schermo, oppure premete UNDO per inserire nuove informazioni più aggiornate.
3. Apparirà il messaggio **SELECT STAR 1** (selezionare stella 1) nella riga superiore dello schermo. Usate i tasti di scorrimento UP e Down (10) per selezionare la stella che volete usare come prima stella di allineamento. Premete ENTER.
4. Il NexStar successivamente vi chiederà di centrare nell'oculare la stella che avete scelto. Usate i tasti direzionali per andare a puntare la stella di allineamento e centrarla nel campo dell'oculare. Premete ENTER quando l'avrete centrata.
5. Quindi, centrate la stella nell'oculare e premete ALIGN per accettare la posizione.
6. Una volta inserite le informazioni richieste, il NexStar modellerà il cielo basandosi su queste informazioni e visualizzerà sullo schermo il messaggio **Alignment Successful**.

Nota: Una volta effettuato l'allineamento con la modalità One-Star Align, potete usare la funzione di Ri-Allineamento (descritta più avanti in questo capitolo) per migliorare la precisione di puntamento del telescopio.

Solar System Align (allineamento con oggetti del Sistema Solare)

La modalità Solar System Align è stata progettata per fornire un inseguimento e un puntamento eccellente usando gli oggetti del Sistema Solare (Sole, Luna, e pianeti) per allineare il telescopio rispetto al cielo. La modalità Solar System Align è molto utile per allineare il vostro telescopio durante il giorno ed è anche un sistema molto veloce per allineare il telescopio per le osservazioni notturne. Ciò vi permetterà di osservare i pianeti luminosi in pieno giorno o al crepuscolo.

ATTENZIONE! Non osservate MAI il Sole direttamente ad occhio nudo o con un telescopio (a meno che non usiate un filtro solare adatto). In caso di mancata osservanza di questo avvertimento potreste danneggiare i vostri occhi in modo permanente ed irreversibile.

1. Scegliete la modalità Solar System Align tra le opzioni di allineamento.
2. Premete ENTER per accettare i dati relativi alla data, all'ora e alla località visualizzati sullo schermo, oppure premete UNDO per inserire nuove informazioni più aggiornate.
3. Apparirà il messaggio **SELECT OBJECT** (selezionare oggetto) nella riga superiore dello schermo. Usate i tasti di scorrimento UP e Down (10) per selezionare l'oggetto (pianeta, luna o sole) che volete usare per l'allineamento. Premete ENTER.
4. Il NexStar successivamente vi chiederà di centrare nell'oculare l'oggetto che avete scelto. Usate i tasti direzionali per andare a puntare l'oggetto e per centrarlo nel campo del cercatore. Premete ENTER.

5. Quindi, centrate la stella nell'oculare del telescopio e premete ALIGN per accettare la posizione

Una volta inserite le informazioni richieste, il NexStar modellerà il cielo basandosi su queste informazioni e visualizzerà sullo schermo il messaggio Alignment Successful.

Consigli per l'uso della modalità Solar System Align

- Per motivi di sicurezza, il Sole non comparirà in nessuno degli elenchi di oggetti della pulsantiera a meno che l'utente non ne consenta la visualizzazione all'interno del Menu Utilities. Per consentire la visualizzazione del sole nell'elenco degli oggetti visualizzati sulla pulsantiera, seguite queste istruzioni:
 1. Premete il tasto UNDO mentre sullo schermo è visibile il messaggio "NexStar SE"
 2. Premete il tasto MENU e usate i tasti Up e Down per selezionare il Menu Utility. Premete ENTER.
 3. Usate i tasti UP e DOWN per selezionare il *Sun Menu* (Menu Sole) e premete ENTER.
 4. Premete ENTER di nuovo per consentire al Sole di apparire tra gli oggetti visualizzati dalla pulsantiera.

Il Sole può essere rimosso dallo schermo usando la stessa procedura appena descritta.

Per migliorare la precisione di puntamento del telescopio, potete usare la funzione Sync descritta più avanti.

EQ North / EQ South Alignment (allineamento equatoriale N/S)

Le modalità di allineamento EQ North/South vanno entrambe utilizzate quando il telescopio deve essere allineato al polo in quanto si sta adoperando la una testa equatoriale (che in inglese viene chiamata "Wedge").

Simili agli allineamenti altazimutali descritti in precedenza, gli allineamenti EQ vi offrono la scelta di eseguire un allineamento AutoAlign, Two Star alignment, One Star Alignment o Solar System Alignment.

EQ Auto Align

La modalità EQ AutoAlign utilizza tutte le stesse informazioni relative all'ora, alla data e alla località utilizzate nelle modalità di allineamento Altazimutali, tuttavia essa richiede che voi posizionate il tubo in modo tale che gli indici di altezza siano allineati (vedi figura), e quindi che ruotate il basamento del telescopio fino a quando il tubo sia puntato verso il Meridiano (vedi figura). Basandosi su queste informazioni il NexStarSE andrà a puntare automaticamente due stelle di allineamento selezionate in modo che voi possiate centrarle ed allineare il telescopio. Per usare la modalità EQ Auto-Align:

1. Selezionate la modalità EQ North oppure EQ South Align (se vi trovate nell'emisfero terrestre sud) tra le opzioni di allineamento disponibili e premete ENTER.

2. Premete ENTER per accettare le informazioni relative all'ora e data correnti visualizzate sullo schermo della pulsantiera, oppure aspettate che il telescopio abbia scaricato queste informazioni dai satelliti GPS.

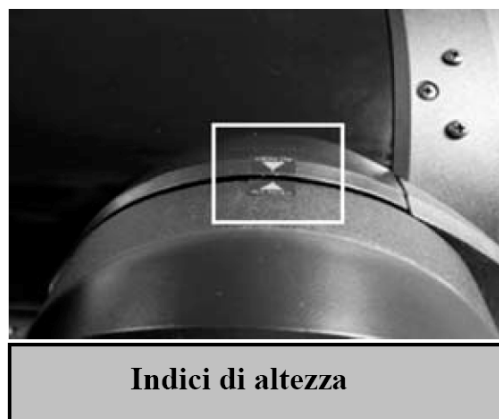
3. Selezionate il metodo di allineamento EQ AutoAlign e premete ENTER.

4. Usate i tasti direzionali "alto" e "basso" per muovere il tubo del telescopio verso l'alto fino ad allineare tra loro gli indici di altezza. Gli indici di altezza si trovano in cima al braccio della forcella.

5. Usate i tasti sinistro e destro per muovere il telescopio in Ascensione Retta fino a quando le braccia della forcella si trovino in una posizione parallela al terreno e il tubo sia puntato verso il Meridiano.

(Il Meridiano è una linea immaginaria che attraverso il cielo e che parte dal Polo Nord Celeste e termina al Polo Sud Celeste passando attraverso lo zenit. Se state guardando verso sud, il meridiano parte dall'orizzonte sud e passa direttamente sopra la testa in direzione del polo celeste Nord.)

6. Basandosi su queste informazioni, il telescopio mostrerà automaticamente sullo schermo le stelle di allineamento più adatte che sono visibili nel cielo in quel momento (cioè sopra l'orizzonte). Premete ENTER per puntare automaticamente sulla stella visualizzata sullo schermo. Se per qualche ragione non desiderate selezionare una di queste stelle (ad esempio perché essa si trova nascosta da un albero o da un edificio), potete prendere le seguenti decisioni alternative:



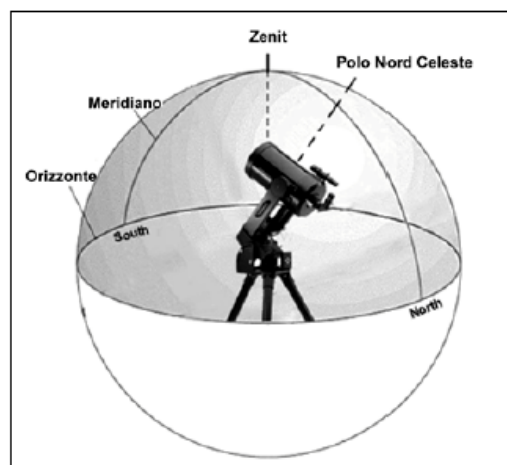
- Premete il tasto UNDO per visualizzare la stella successiva più adatta per l'allineamento
- Usate i tasti di scorrimento UP e DOWN per selezionare manualmente una qualsiasi altra stella voi desideriate usare, scelta nell'intero elenco delle stelle disponibili.

7. Il telescopio a questo punto vi chiederà di centrare nell'oculare l'oggetto di allineamento che avete selezionato. Usate i tasti direzionali per puntare il telescopio sull'oggetto di allineamento e centratelo con cura nel cercatore. Premete ENTER quando l'avrete centrato.

8. Poi, centrate l'oggetto nell'oculare e premete ALIGN.

9. Una volta premuto il tasto ALIGN, il telescopio andrà a puntare automaticamente una seconda stella di allineamento.

Ripetete i passi 6 e 7 per completare l'allineamento.



EQ Two-Star Align (allineamento EQ con due stelle)

L'allineamento EQ Two-Star Align segue perlopiù gli stessi passi della modalità di allineamento altazimutale Two-Star Align. Questo metodo di allineamento non richiede che l'utente allinei gli indici di altezza sulla forcina o che punti verso il Meridiano locale, ma richiede invece che l'utente localizzi e allinei il telescopio su due stelle luminose. Quando selezionate le stelle di allineamento è meglio scegliere stelle che 1) siano molto distanti tra loro in azimut e 2) siano entrambe con declinazione positiva o negativa. Seguendo queste linee guida otterrete un allineamento EQ a due stelle più preciso.

EQ One-Star Align (allineamento EQ con una stella)

L'allineamento EQ One-Star Align funziona perlopiù nello stesso modo dell'allineamento EQ a due stelle, ma tuttavia si basa sull'allineamento di una sola stella per allineare il telescopio. Per usare l'allineamento EQ One-Star Align seguite i passi dall'1 al 7 descritti nella sezione EQ Two-Star Align.

EQ Solar System Align (allineamento EQ con oggetti del Sistema Solare)

Questo metodo di allineamento vi consente di usare solo un oggetto del sistema solare per allineare il telescopio in configurazione equatoriale per l'uso diurno. Per allineare il vostro telescopio usando un oggetto del sistema solare seguite i passi dall'1 al 7 descritti nella sezione EQ Two-Star Align.

Funzione Sync

La funzione di sincronizzazione può essere usata per migliorare l'allineamento in una regione specifiche del cielo. La sincronizzazione è una caratteristica molto utile particolarmente quando avete allineato il vostro telescopio con pochi riferimenti. Consigliamo di sincronizzare il telescopio ad alti ingrandimenti, su oggetti puntiformi come le stelle, oppure in caso di riprese con la webcam sull'astro da fotografare.

La sincronizzazione su un oggetto:

1. Selezionare la stella voluta (o oggetto) a partire dalla base NexStar.
2. Una volta che puntato, premere il tasto di UNDO fino a ritornare nel menu principale.
3. Quando visualizzate "NexStar SE", premere il tasto ALIGN.
4. Utilizzando i tasti Up/Down selezionate l'opzione di sincronizzazione "SYNC" e premete ENTER.
5. Allineate l'oggetto da sincronizzazione al centro del campo, con i tasti direzionali a velocità basse, premete ENTER e dopo ALIGN.

La precisione di allineamento sarà migliorata nella zona di cielo limitrofa all'oggetto usato per la sincronizzazione.

La selezione di un Oggetto

Ora che il telescopio è allineato in modo corretto, potete scegliere un oggetto da uno qualsiasi dei cataloghi contenuti nel grande archivio elettronico del NexStar. La pulsantiera possiede un tasto (4) progettato per ciascuno dei cataloghi

del suo archivio. Ci sono due modi per selezionare gli oggetti dall'archivio: scorrere tra la lista degli oggetti dotati di un nome, oppure inserire i numeri di catalogo degli oggetti.

- Premendo il tasto **LIST** sulla pulsantiera si accede a tutti gli oggetti dell'archivio che possiedono nomi comuni o che appartengono a tipi specifici di oggetti (ad esempio: ammassi aperti, galassie, ecc.). Ogni elenco è suddiviso nelle seguenti categorie: Stelle con Nome, Oggetti con Nome, Stelle Doppie, Stelle Variabili, Asterismi e Oggetti CCD. Selezionando una di queste opzioni farà apparire sullo schermo un elenco numerico-alfabetico degli oggetti contenuti nell'elenco richiesto. Premendo i tasti Up o Down (10) potrete scorrere tra il catalogo degli oggetti desiderati.
- Premendo uno degli altri tasti di richiamo dei cataloghi (M, CALD, NGC, or STAR) apparirà sullo schermo un cursore lampeggiante al di sotto del nome del catalogo prescelto. Usate i tasti numerici della pulsantiera per inserire il numero di catalogo degli oggetti. Per esempio, per cercare la Nebulosa di Orione, premete il tasto "M" e inserite "042".
- Premendo il tasto PLANET sarà possibile usare i tasti UP e DOWN per scorrere tra l'elenco degli otto pianeti, con in più la Luna, e di selezionare l'oggetto che desiderate.

Quando scorrete lungo un lungo elenco di oggetti, se tenete premuti i tasti Up o Down potrete scorrere l'elenco ad una maggiore velocità.

Quando inserite il numero di una stella SAO, vi viene richiesto di inserire le prime quattro delle sei cifre che caratterizzano la numerazione degli oggetti SAO. Una volta inserite le prime quattro cifre, la pulsantiera elencherà automaticamente gli oggetti SAO disponibili che iniziano con quei numeri. Questo vi permetterà di scorrere solamente tra le stelle contenute nel database SAO. Per esempio, se cercate la stella SAO 40186 (Capella), le prime quattro cifre sarebbero "0401". Inserendo questo numero otterrete la corrispondenza più vicina con le stelle SAO disponibili nel database. A partire da questa corrispondenza potete far scorrere l'elenco delle stelle visualizzate e selezionare l'oggetto desiderato.

Il puntamento di un oggetto

Una volta visualizzato sullo schermo l'oggetto desiderato, avete due possibilità:

- **Premere il tasto INFO:** Questo vi darà informazioni utili sull'oggetto selezionato, come la sua A.R. e declinazione, la magnitudine, dimensione e informazioni riguardanti molti degli oggetti più famosi.
- **Premere il tasto ENTER:** Questo darà inizio al puntamento automatico dell'oggetto da parte del telescopio.

Se volete puntare manualmente un oggetto che si trova sotto l'orizzonte, il NexStar visualizzerà sullo schermo un messaggio che vi avvertirà di avere selezionato un oggetto che si trova al di fuori dei limiti di puntamento (vedi Limiti di Puntamento nella sezione Funzioni di Utilità di questo manuale). Premete UNDO per tornare indietro e selezionate un nuovo oggetto. Premete ENTER per ignorare il messaggio e per proseguire nell'operazione di puntamento. La pulsantiera NexStar visualizzerà solamente gli oggetti che si troveranno al di sotto dell'orizzonte se il parametro Filter Limits sarà stato impostato al di sotto di 0° di altezza. Consultate il paragrafo relativo al comando Filtri Limite nella sezione Funzioni di Utilità di questo manuale per avere maggiori informazioni sulla impostazione dei filtri limite.

Attenzione: Non fate mai puntare un oggetto dal telescopio quando qualcuno sta ancora guardando nell'oculare. Il telescopio si può muovere molto rapidamente per eseguire il puntamento e può urtare l'occhio dell'osservatore causandogli danni.

Le informazioni sull'oggetto possono essere ottenute anche senza dover eseguire un allineamento sulle stelle. Dopo che il telescopio è stato acceso, premete il tasto UNDO. Premendo uno qualunque dei tasti dei cataloghi vi consentirà di scorrere lungo gli elenchi di oggetti o di inserire numeri di catalogo nel modo descritto sopra.

La ricerca dei Pianeti

Il NexStar può localizzare gli 8 pianeti del nostro Sistema Solare più il Sole e la Luna. Tuttavia, la pulsantiera mostrerà solo gli oggetti del sistema solare che si trovano sopra l'orizzonte (o entro i limiti di puntamento). Per localizzare i pianeti, premete il tasto **PLANET** sulla pulsantiera. Lo schermo mostrerà tutti gli oggetti del sistema solare sopra l'orizzonte:

- Usate i tasti di scorrimento **UP** e **Down** per selezionare il pianeta che volete osservare.
- Premete **INFO** per consultare le informazioni sul pianeta visualizzato.
- Premete **ENTER** per andare a puntare il pianeta.

Modalità Tour

Il NexStar incorpora una funzione “tour” cioè di escursione automatica, che consente all’utente di scegliere tra un elenco di oggetti visibili nella data in cui state osservando. Il modo Tour automatico visualizzerà sul display solo quegli oggetti che sono compresi nei criteri che avete impostato all’interno del menu Set Filter Limits (impostazione filtri di limitazione, descritta nella sezione Procedure di impostazione di questo manuale). Per attivare il modo Tour, premete il tasto TOUR (6) sulla pulsantiera. Il NexStar visualizzerà sullo schermo un elenco dei migliori oggetti visibili nel cielo corrente.

- Per vedere le informazioni e i dati riguardanti l’oggetto visualizzato premete il tasto INFO.
- Per puntare l’oggetto visualizzato sullo schermo, premete ENTER.
- Per vedere l’oggetto successivo del Tour, premete il tasto UP.

Constellation Tour (Tour delle Costellazioni)

In aggiunta al Modo Tour, il telescopio NexStar possiede una funzione Constellation Tour che consente all’utente di fare una escursione guidata di tutti gli oggetti migliori contenuti all’interno di una particolare costellazione. Selezionando Constellation dal menu LIST otterrete un elenco di tutte le costellazioni che si trovano al di sopra dell’orizzonte definito dall’utente (vedi i Filtri Limite). Una volta selezionata una costellazione, potete scegliere da uno qualsiasi dei cataloghi degli oggetti per generare una lista di tutti gli oggetti disponibili in quella costellazione.

- Per vedere le informazioni e i dati riguardanti l’oggetto visualizzato premete il tasto INFO.
- Per puntare l’oggetto visualizzato sullo schermo, premete ENTER.
- Per vedere l’oggetto successivo del Tour, premete il tasto UP.

Camera (Controllo Reflex digitali)

Il vostro supporto di NexStar SE include una particolare porta per controllare a distanza la fotocamera digitali tipo reflex (DSLR). Collegando una macchina fotografica al telescopio o montata in parallelo, tramite un piggyback, potrete far puntare fino ad 9 oggetti che il telescopio cercherà e fotograferà, secondo i parametri impostati.

Collegare la DSLR al NexStar SE:

Il telescopio è dotato sulla base, di una porta che gestisce le DSLR, sarà interfacciata con la macchina fotografica usando il cavo per fotocamera in dotazione (che controlla l’otturatore della DSLR) ed un cavo di controllo specifico per la propria macchina fotografica (non incluso) compatibile con il jack da 2,5mm.

Raccordare il cavo in dotazione con il cavo di controllo specifico della propria Reflex, compatibile con il jack da 2,5mm.

Inserite il cavo nella porta della vostra fotocamera e alla base del telescopio.

Nota : Alcune Nikon usano un controllo senza fili, perciò occorre un trasmettitore jack/Wi-Fi.

Camera Wizard : è il metodo più veloce, per realizzare una lista di oggetti e controllare le esposizioni fotografiche, fino a 9 oggetti; è possibile ripetere la stessa sequenza a ciclo.

1. Dal menu principale (tasto Menu), selezionare l’opzione “Camera”
2. Selezionate l’opzione “Camera Wizard” premento Enter
3. Tramite la pulsantiera puntate l’oggetto da fotografare e centratelo con cura nel mirino della fotocamera o al centro dell’oculare
4. Ripetere il punto #3 per tutti i oggetti che desiderate riprendere, fino ad un massimo di 9, o premete UNDO dopo che l’ultimo oggetto selezionato sia stato centrato nell’oculare
5. Usate i tasti Up/Down per selezionare l’opzione di ripetere la sequenza di ripresa a ciclo o fermare la ripresa con l’ultimo oggetto selezionato
6. Premete ENTER se desiderate iniziare la sequenza di esposizione così com’è stata impostata , oppure premete UNDO se desiderate compilare ogni singolo oggetto inserito



Take Exposure : l'opzione "Take Exposure" avvia la sequenza di ripresa, che potete interrompere in qualunque momento premendo UNDO.

Edit Entries : può essere usato per visualizzare, compilare o aggiungere oggetti alla lista che è stata generata utilizzando "Wizard Camera". Potete scorrere nella lista generate in ogni singolo oggetto e selezionare i parametri che desiderate annotare.

Object Type :

Sky Object - salva l'oggetto come oggetto celeste prestabilito dall'utente.

Se il telescopio è stato allineato prima di creare la lista, allora Wizard Camera salverà automaticamente i nuovi oggetti come oggetti celesti. Se il telescopio non è stato allineato, gli oggetti saranno salvati come oggetti terrestri (**Land Object**).

No Change : è usato quando desiderate riprendere un'immagine dello stesso oggetto (precedentemente selezionato), ma con un tempo differente di esposizione. Ciò impedisce al telescopio di cancellare i dati dello stesso oggetto quando sono stati cambiati solo i valori di esposizione.

Empty : indica che non c'è nessun oggetto salvato in ingresso. Se il tipo di oggetto viene cambiato in "Empty" le informazioni saranno cancellate.

Object Number (per gli oggetti celesti e terrestri) : anche se Wizard Camera permette solo l'inserimento di 9 oggetti, ci sono 25 spazi assegnati che permettono di aggiungere gli inserimenti supplementari.

Repeat Count : permette di variare il numero di esposizioni per oggetto.

Exposure Time : permette di regolare il tempo di ogni esposizione in secondi.

Long exposures - per un'esposizione più lunghe di un 1 secondo, la vostra macchina fotografica deve essere regolata su posa B. La fotocamera acquisirà l'esposizione impostata sulla pulsantiera.

Snapshots - per un'esposizione più breve di un 1 secondo o di meno.

Exposure Delay - permette di ritardare e/o impostare il tempo fra ogni esposizione.

Sequence End - conclude una sequenza di immagine oppure ripete indefinitamente, una volta raggiunge l'ultima oggetto della lista.

I tasti direzionali

Il NexStar possiede quattro tasti direzionali posti al centro della pulsantiera che controllano i movimenti del telescopio in altezza (su e giù) e in azimut (destra e sinistra). Il telescopio può essere controllato con nove differenti velocità di movimento dei motori.

1 = 2x	6 = 0.5°/sec
2 = 4x	7 = 1°/sec
3 = 8x	8 = 2°/sec
4 = 16x	9 = 4°/sec
5 = 32x	

Le nove velocità dei motori

Tasto Rate (velocità motori)

Premendo il tasto RATE potrete modificare istantaneamente la velocità di rotazione dei motori dalla velocità più alta fino alla lentissima velocità di guida, passando per molte velocità intermedie. Ognuna delle velocità corrisponde ad un numero sulla tastiera numerica della pulsantiera. Il numero 9 corrisponde alla velocità più alta (fino a 4° al secondo, a seconda della potenza della fonte di alimentazione) e viene usato per andare da un oggetto all'altro e per localizzare le stelle di allineamento. Il numero 1 sulla pulsantiera corrisponde alla velocità più lenta (2x della velocità siderale) e può essere usata per centrare con precisione gli oggetti nell'oculare per la guida fotografica. Per modificare la velocità di rotazione dei motori:

- Premete il tasto RATE sulla pulsantiera. Sullo schermo apparirà la velocità attualmente impostata.
- Premete il tasto numerico che corrisponde alla velocità desiderata. Il numero scelto apparirà nell'angolo in alto a destra dello schermo LCD per indicare che la velocità è stata cambiata.

La pulsantiera possiede una funzione “doppio pulsante” che vi consente di aumentare istantaneamente la velocità dei motori senza dover passare per il menu di scelta della velocità. Per usare questa funzione premete semplicemente il tasto direzionale che corrisponde alla direzione in cui volete muovere il telescopio, e mentre tenete premuto quel tasto, premete il tasto direzionale opposto. Questo aumenterà la velocità dei motori alla massima velocità.

Le Procedure di impostazione (Setup)

Il NexStar comprende molte funzioni di impostazione definibili dall'utente, create per dare all'utilizzatore il controllo sulle molte funzioni avanzate del telescopio. L'accesso a tutte le funzioni di impostazione e di utilità viene ottenuto premendo il tasto MENU e scorrendo lungo le opzioni disponibili:

Tracking Mode (modo inseguimento) Questa opzione vi consente di cambiare il modo in cui il telescopio insegue gli oggetti celesti, che dipende dalla configurazione della montatura utilizzata per supportare il telescopio. Il NexStar ha tre differenti modi di inseguimento:

- Alt-Az** Altazimutale. Questa è modalità standard di inseguimento, e viene utilizzata quando il telescopio è stato allineato correttamente.
- EQ North** Equatoriale emisfero nord. Viene usata per inseguire il cielo quando il telescopio è stato allineato con il polo celeste usando la testa equatoriale nell'Emisfero Nord.
- EQ South** Equatoriale emisfero sud. Viene usata per inseguire il cielo quando il telescopio è stato allineato con il polo celeste usando la testa equatoriale nell'Emisfero Sud.
- Off** (fermo). Quando usate il telescopio per fare osservazioni terrestri, è possibile disattivare l'inseguimento per evitare che il telescopio si muova in modo indesiderato.

Tracking Rate (velocità di inseguimento) Oltre a consentire il movimento del telescopio con i tasti direzionali, il NexStar continuerà a inseguire un oggetto celeste che si sposta nel cielo. La velocità di inseguimento può essere cambiata a seconda del tipo di oggetto osservato:

- Sidereal** Velocità Siderale. Questa velocità compensa la rotazione diurna della Terra muovendo il telescopio alla stessa velocità della Terra, ma nella direzione opposta. Quando il telescopio è allineato con il polo celeste, questo movimento avviene azionando il solo motore di Ascensione Retta. Quando lo strumento è montato in configurazione Altazimutale, il telescopio esegue l'inseguimento azionando i motori di entrambi gli assi.
- Lunar** Velocità Lunare. Viene usata per inseguire la Luna quando si osservano i dettagli lunari.
- Solar** Velocità Solare. Viene usata per inseguire il Sole nel corso delle osservazioni solari.

View Time-Site (vedi Ora-Sito) – Visualizza l'ora corrente e la longitudine/latitudine o la località salvata durante l'ultimo allineamento.

User Defined Objects (Oggetti definiti dall'utente): Il NexStar può memorizzare fino a 50 differenti oggetti definiti dall'utente. Gli oggetti possono essere anche oggetti terrestri diurni oppure oggetti celesti interessanti che voi avete scoperto non essere compresi nel database normale del telescopio. Ci sono vari modi per salvare un oggetto nella memoria, a seconda del tipo di oggetto.

Save Sky Object: (salva oggetto celeste). Il NexStar memorizza gli oggetti celesti nel suo database salvando le loro coordinate celesti di Ascensione Retta e di Declinazione. In questo modo l'oggetto può essere trovato ogni volta che il telescopio viene allineato. Una volta centrato il nuovo oggetto nell'oculare, selezionate il comando Save Sky Obj e premete ENTER. Lo schermo vi chiederà di inserire un numero compreso tra 1 e 25 per identificare l'oggetto. Premete ENTER di nuovo per salvare l'oggetto nel database.

Save Land Object: (salva oggetto terrestre): Il NexStar può anche essere usato come cannocchiale per osservare oggetti terrestri. Gli oggetti fissi che fanno parte del paesaggio (alberi, edifici, montagne) possono essere memorizzati salvando la loro altezza e azimut rispetto alla posizione del telescopio al momento dell'osservazione. Siccome questi oggetti hanno una posizione relativa a quella

del telescopio, essi sono validi solo per quella esatta posizione. Per salvare un oggetto terrestre, centrate l'oggetto desiderato nell'oculare. Selezionate il comando "Save Land Obj" (salva oggetto terrestre) e premete ENTER. Lo schermo vi chiederà di inserire un numero compreso tra 1 e 25 per identificare l'oggetto. Premete ENTER di nuovo per salvare questo oggetto nell'archivio.

Save Database (Db)

Object: (salva oggetto del database):

Questa funzione vi consente di creare il vostro tour personalizzato di oggetti contenuti nel database permettendovi di registrare la posizione corrente del telescopio e di salvare il nome dell'oggetto selezionandolo da uno dei cataloghi del database interno. Questi oggetti potranno essere richiamati successivamente selezionando il comando *GoTo Sky Objects*.

Enter R.A. - Dec: (inserimento A.R. e Dec). Potete anche memorizzare una specifica coppia di coordinate per un oggetto inserendo direttamente l'A.R. e la DEC di quell'oggetto. Scorrete nel menu fino al comando "**Enter RA-DEC**" e premete ENTER. Lo schermo vi chiederà di inserire per prima la A.R. e poi la declinazione dell'oggetto desiderato.

GoTo Object: (vai a puntare l'oggetto). Per andare a puntare uno degli oggetti definiti dall'utente e memorizzati nell'archivio del telescopio, scorrete nel menu, selezionate il comando. "**GoTo Sky Obj**" oppure "**GoTo Land Obj**", inserite il numero dell'oggetto che volete selezionare e premete ENTER. Il NexStar richiamerà automaticamente le sue coordinate e andrà a puntarlo.

Per sostituire il contenuto di uno qualsiasi degli oggetti definiti dall'utente, salvate semplicemente un nuovo oggetto usando uno dei numeri di identificazione esistenti; il NexStar sostituirà l'oggetto precedente con il nuovo oggetto.

Get RA/DEC – (visualizza AR/DEC) – Visualizza sullo schermo l'ascensione retta e la declinazione relative alla posizione corrente del telescopio.

Goto R.A/Dec – (vai a puntare le coordinate AR/DEC) – Consente di inserire una coppia di coordinate A.R. e Declinazione, e di comandare al telescopio di posizionarsi su queste coordinate.

Identify (identifica oggetto)

La modalità Identify (identifica) cercherà all'interno di tutti i cataloghi ed elenchi del database interno del NexStar e visualizzerà sullo schermo i nomi e le distanze angolari degli oggetti vicini alla posizione corrente del telescopio. Questa funzione può essere utile per due scopi. Primo, può essere usata per identificare un oggetto sconosciuto inquadrato nel campo visivo del vostro telescopio. Oltre a questo, la modalità Identify può anche essere usata per cercare altri oggetti celesti che si trovano nelle vicinanze degli oggetti che state osservando in quel dato momento. Per esempio, se il vostro telescopio è puntato sulla stella più luminosa della costellazione della Lyra, scegliendo il comando Identify e quindi cercando all'interno del catalogo delle stelle con nome (Named Star) otterrete senza alcun dubbio che quella che state osservando è la stella Vega. Tuttavia, selezionando Identify e cercando all'interno dei cataloghi Named Object (oggetti con nome) o Messier, la pulsantiera vi informerà che la Ring Nebula (Nebulosa Anulare - M57) si trova ad una distanza di circa 6° dalla vostra posizione attuale. Cercando invece all'interno del catalogo Double Star (stelle doppie) scoprirete che la doppia Epsilon Lyrae si trova a solo 1° di distanza da Vega. Per usare la funzione *Identify*:

- Premete il tasto Menu e scegliete l'opzione Identify
- Usate i tasti di scorrimento Up/Down per selezionare i cataloghi in cui volete cercare gli oggetti
- Premete ENTER per iniziare la ricerca.

Nota: Alcuni database contengono migliaia di oggetti, e quindi sarà necessario attendere uno o due minuti per ottenere la visualizzazione sullo schermo dell'oggetto più vicino.

Scope Setup (Funzioni di Impostazione del telescopio)

Setup Time-Site (imposta Ora-Sito) - Consente all'utente di personalizzare la schermata NexStar modificando i parametri relativi all'ora e alla località (come il fuso orario e l'ora legale).

Anti-backlash – (compensazione del ritardo di risposta dei motori). Tutti gli ingranaggi meccanici possiedono una certa quantità di backlash o di gioco tra le varie corone dentate. Questo gioco si manifesta in un ritardo di risposta (tempo morto) nel movimento di una stella nell'oculare quando si premono i tasti direzionali del telescopio (specialmente quando si invertono le direzioni). La funzione anti-backlash del NexStar permette all'utente di compensare il backlash inserendo un valore che recupera rapidamente – della giusta misura - il gioco presente nella cascata di ingranaggi del riduttore del motore, consentendo di eliminare il gioco tra gli ingranaggi stessi. L'ammontare della compensazione necessaria dipende dalla velocità selezionata dei motori: quanto è più lenta questa velocità tanto più lungo sarà il tempo morto che l'utente dovrà attendere prima che la stella si muova nell'oculare. Di conseguenza, la compensazione del backlash dovrà essere impostata con un valore più grande. Ci sono due valori da impostare per ciascuno degli assi, positivo e negativo. Il valore Positivo si riferisce alla compensazione applicata quando premete il pulsante, allo scopo di ottenere la rotazione rapida degli ingranaggi, senza una lunga pausa. Il valore Negativo si riferisce invece alla compensazione applicata quando rilasciate il pulsante, in cui i motori vengono fatti girare rapidamente nella direzione opposta per riprendere l'inseguimento. Avrete bisogno di sperimentare con valori differenti (compresi tra 0 e 99): un valore compreso tra 20 e 50 è di solito il migliore per la maggior parte delle osservazioni visuali. Una compensazione "positiva" del backlash viene applicata quando la montatura cambia la direzione del proprio moto da inverso a diretto. Allo stesso modo, la compensazione "negativa" del backlash viene applicata quando la montatura cambia la direzione del proprio movimento da diretto a inverso. Quando è attivo l'inseguimento, la montatura si muoverà in uno o in entrambi gli assi in una direzione positiva o negativa, e pertanto la compensazione del backlash verrà sempre applicata quando un tasto direzionale verrà rilasciato e la direzione richiesta dall'utente è opposta alla direzione del moto di inseguimento.

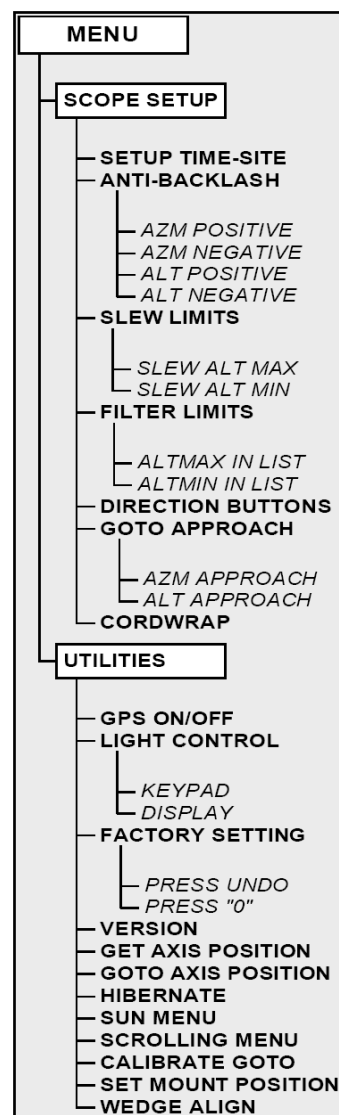
Per impostare il valore anti-backlash, scorrete nel menu fino all'opzione *anti-backlash* e premete ENTER. Inserite un valore compreso tra 0 e 100 per ciascuna delle direzioni (azimut e altezza) e premete ENTER per confermare ciascuno dei dati inseriti. Il NexStar ricorderà questi valori e li userà ogni volta che l'unità verrà accesa, o fino a quando essi non verranno modificati.

Slew Limits (limiti di puntamento) – Imposta i limiti in altezza che il telescopio può andare a puntare senza visualizzare un messaggio di avvertimento. Per default i limiti di puntamento sono impostati da 0° a 90° e visualizzeranno un messaggio di avvertimento solo quando un oggetto è sotto l'orizzonte. Tuttavia, i limiti di puntamento possono essere personalizzati in base alle vostre esigenze. Per esempio, se volete puntare un oggetto vicino allo zenit e siete sicuri che il tubo non andrà a urtare contro le gambe del treppiede, potete impostare il limite di altezza a 90°. Questo consentirà al telescopio di andare a puntare tutti gli oggetti al di sopra dell'orizzonte senza darvi alcun tipo di avviso.

Filter Limits (Filtri Limite) - Quando un allineamento è stato completato, il NexStar conosce automaticamente quale oggetto celeste si trova al di sopra dell'orizzonte. Pertanto, quando scorrete all'interno degli elenchi del database degli oggetti (o quando selezionate la funzione Tour), la pulsantiera del NexStar visualizzerà solo quegli oggetti che si trovano al di sopra dell'orizzonte nel momento in cui state effettuando l'osservazione. Potete personalizzare il database degli oggetti selezionando i limiti di altezza che sono adatti per la vostra località e situazione. Per esempio, se state osservando da una località montuosa dove l'orizzonte è parzialmente ostruito, potete impostare il vostro limite minimo di altezza a +20°. Questo comporterà che la pulsantiera vi elencherà come disponibili solo gli oggetti che possiedono un'altezza sull'orizzonte maggiore di 20°.

Se volete esplorare l'intero database degli oggetti, impostate il limite massimo di altezza a 90° e il limite minimo a -90°. Questo vi permetterà di visualizzare tutti gli oggetti presenti nel database, indipendentemente dalla loro visibilità nel cielo della vostra località.

Direction Buttons (tasti direzionali) – La direzione in cui una stella si muove nell'oculare varia a seconda degli accessori che vengono usati. Questo può creare confusione quando guidate su una stella usando una guida fuori asse oppure in un telescopio di guida usato senza prismi. Per compensare questo effetto, è possibile cambiare la direzione dei tasti di controllo dei movimenti. Per invertire la logica dei tasti della pulsantiera, premete il tasto MENU, e scegliete il comando *Direction Buttons* dal menu Utilities. Usate i tasti di scorrimento Up e Down per selezionare la direzione del



tasto di ascensione retta (sinistra e destra) o di declinazione (alto o basso) e premete ENTER. Premendo di nuovo ENTER invertirete la direzione dei tasti direzionali rispetto al loro stato attuale. Le direzioni verranno invertite solo alle velocità più basse (velocità 1-6) ma non nelle velocità di puntamento (velocità 7-9).

Goto Approach (modalità di avvicinamento all'oggetto durante il puntamento)- Questa impostazione consente all'utente di definire la direzione che il telescopio prenderà quando si avvicinerà agli oggetti durante un puntamento automatico. Questo permetterà all'utente di minimizzare gli effetti del backlash. Per esempio, se il vostro telescopio è più pesante nella sua sezione posteriore perché state usando accessori ottici o fotografici molto pesanti attaccati alla culatta posteriore, dovrete impostare la direzione di avvicinamento agli oggetti in altezza come "negativa". Questo assicurerà che il telescopio si avvicinerà sempre agli oggetti da puntare dalla direzione opposta a quella del peso applicato al telescopio.

Per modificare la direzione del Goto approach scegliere *Goto Approach* all'interno del Menu *Scope Setup*, e selezionate Altitude approach o Azimuth approach, scegliete "positive" o "negative" e premete ENTER.

Cordwrap (anti-avvolgimento cavi) - Questa funzione impedisce che il telescopio ruoti in azimut per un angolo maggiore di 360°, causando l'avvolgimento dei cavi degli accessori attorno alla base del telescopio. Questo è utile durante l'autoguida oppure ogni volta che ci sono cavi collegati alla base del telescopio. Per default, la funzione cordwrap è disattivata quando il telescopio viene allineato in modalità altazimutale e attivata quando esso viene allineato in modalità equatoriale.

Funzioni di utilità

Scorrendo all'intero delle opzioni del MENU, è possibile accedere a svariate funzioni avanzate di utilità contenute nel software NexStar, tra cui: Correzione dell'Errore Periodico, Ibernazione e molte altre utili funzioni.

GPS On/Off (GPS acceso / spento) - Questa funzione è disponibile solo quando state usando il vostro telescopio con l'accessorio opzionale CN 16 GPS. La funzione vi consente di spegnere il modulo GPS. Se volete usare l'archivio del NexStar per trovare le coordinate di un oggetto celeste per usarle in futuro, dovrete spegnere il modulo GPS per inserire manualmente una data e un'ora diversa rispetto a quella attuale.

Light Control – (controllo luminosità pulsantiera). Questa funzione vi consente di regolare sia la luce della tastiera che quella dello schermo LCD per l'uso diurno, allo scopo di risparmiare energia e per aiutarvi a conservare la visione notturna.

Factory Settings (impostazioni di fabbrica) – Fa tornare la pulsantiera NexStar alle impostazioni originali programmate in fabbrica. I parametri come i valori di compensazione del backlash, data e ora iniziale, longitudine/latitudine, ed anche i limiti di puntamento e i filtri saranno resettati. Tuttavia, altri parametri memorizzati come il PEC e gli oggetti definiti dall'utente rimarranno in memoria anche selezionando l'opzione Factory settings. La pulsantiera vi chiederà di premere il tasto "0" prima di tornare alle impostazioni di default programmate in fabbrica.

Version (versione del software) - Selezionando questa opzione potrete vedere il numero della versione installata del software interno della pulsantiera e del software di controllo dei motori. Il primo gruppo di numeri indica il software della pulsantiera. Per il controllo dei motori, la pulsantiera mostra due gruppi di numeri: i primi numeri si riferiscono all'azimut e i secondi numeri si riferiscono all'altezza.

Get Alt-Az – (visualizza Alt/Az) - Visualizza sullo schermo l'altezza e l'azimut relative alla posizione corrente del telescopio.

Goto Alt-Az (vai a puntare le coordinate Alt/Az) – Consente di inserire una coppia di coordinate di Altezza e Azimut e di comandare al telescopio di posizionarsi su queste coordinate.

Hibernate (Ibernazione) - La funzione Hibernate consente di spegnere completamente il NexStar e di conservare il suo allineamento quando viene acceso di nuovo. Questa modalità non consente solo di risparmiare energia elettrica, ma è anche ideale per chi ha installato il telescopio in postazione fissa o per chi lascia il proprio telescopio nella stessa località per lunghi periodi di tempo. Per mettere il telescopio in stato di Ibernazione:

1. Selezionate Hibernate all'interno del menu Utility.

2. Muovete il telescopio portandolo nella posizione desiderata e premete ENTER.
3. Spegnete il telescopio. Ricordatevi di non muovere mai il telescopio manualmente mentre si trova in stato di Ibernazione.

Una volta acceso di nuovo il telescopio, sullo schermo leggerete il messaggio Wake Up (sveglia). Dopo avere premuto Enter avete la possibilità di scorrere tra le informazioni riguardanti l'ora e il sito per confermare le impostazioni correnti. Premete ENTER per "svegliare" il telescopio.

Premendo UNDO quando sullo schermo si trova il messaggio Wake Up vi permette di esplorare molte delle funzioni della pulsantiera senza svegliare il telescopio dal suo stato di ibernazione. Per svegliare il telescopio dopo avere premuto UNDO, selezionate Hibernare dal menu Utility e premete ENTER. Non usate i tasti direzionali per muovere il telescopio mentre il telescopio si trova in stato di ibernazione.

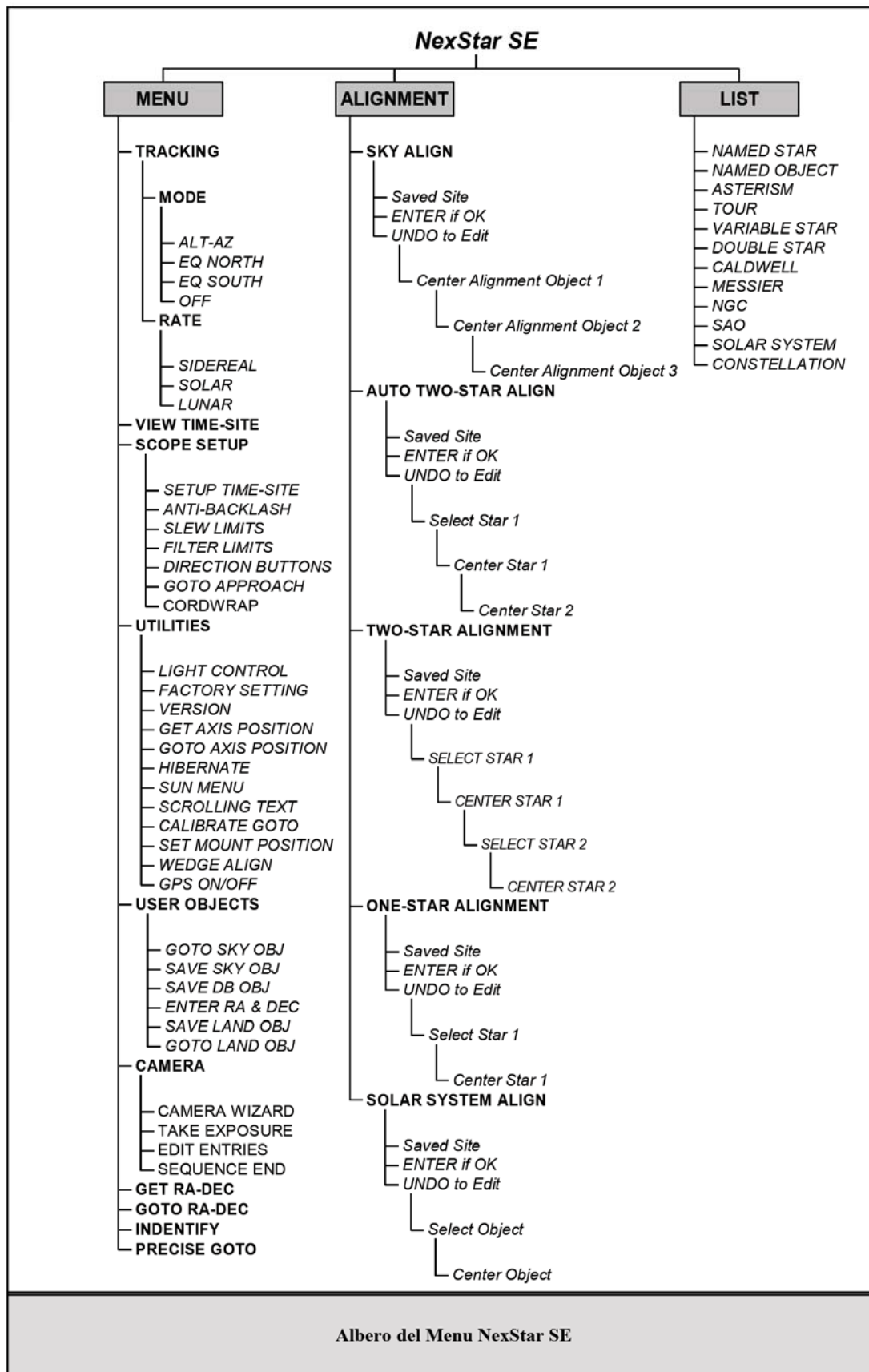
Menu Sun (Sole)

Per motivi di sicurezza il Sole non viene visualizzato come oggetto appartenente al database degli oggetti fino a quando esso non viene appositamente abilitato. Per abilitare la visualizzazione (e il successivo puntamento) del Sole, trovate il Sun Menu e premete ENTER. Da questo momento il Sole verrà visualizzato nel catalogo dei Planets (pianeti) e potrà essere usato come oggetto di allineamento quando userete il metodo di allineamento Solar System Alignment. Per rimuovere il Sole dai menu della pulsantiera, selezionate di nuovo il Sun Menu dal Menu Utility e premete ENTER.

Scrolling Menu (menu scorrimento)

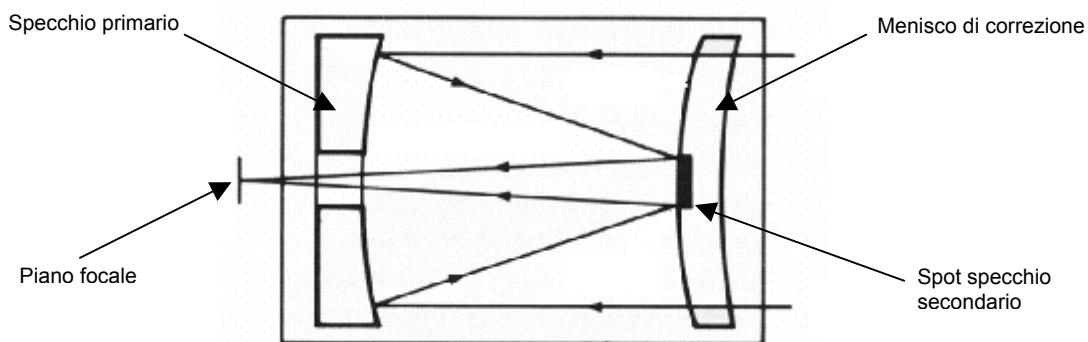
Questo menu vi consente di modificare la velocità di scorrimento del testo sullo schermo della pulsantiera.

- Premete il tasto Up (numero 6) per aumentare la velocità del testo. Premete il tasto Down (numero 9) per diminuire la velocità del testo.

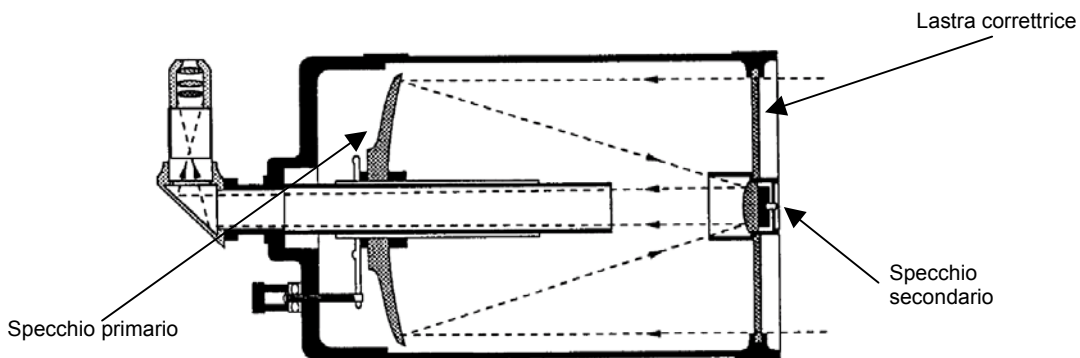


Un telescopio è uno strumento che raccoglie e mette a fuoco la luce. La natura dello schema ottico determina il modo in cui la luce viene messa a fuoco. Alcuni telescopi, conosciuti come rifrattori, utilizzano lenti. Altri telescopi, conosciuti come riflettori, utilizzano specchi (Newton), i sistemi combinati (specchi e lenti) sono catadiottrici.

Il telescopio NexStar 4SE è un catadiottrico con schema ottico Maksutov-Cassegrain, composto da uno specchio primario, da un menisco di correzione ottica e da uno spot di alluminatura applicato sul menisco, che funge da specchio secondario. Questo tipo di schema ottico ha la caratteristica di avere un tubo molto compatto ed un elevato contrasto; in più a parità di diametro il trattamento ottico Starbright XLT aumenta il coefficiente di trasmissione, ottenendo immagini più luminose e brillanti.



Il telescopio NexStar 5SE è un catadiottrico con schema ottico Schmidt-Cassegrain, composto da uno specchio primario sferico, da una lastra di correzione ottica e da uno specchio secondario. Questo tipo di schema ottico ha la caratteristica di avere un tubo molto compatto molto versatile in particolare per uso fotografico; in più a parità di diametro il trattamento ottico Starbright XLT aumenta il coefficiente di trasmissione, ottenendo immagini più luminose e brillanti.



L'ORIENTAMENTO DELL'IMMAGINE

L'immagine del vostro telescopio apparirà sempre rovesciata (*Immagine Telescopica*) a fuoco diretto, inserendo il flip mirror o il diagonale, sarà parzialmente ribaltata.

Per utilizzare il Nexstar SE anche come telescopio terrestre, occorre il raddrizzatore d'immagine CE94116.



Immagine reale



Immagine telescopica
(oculare a fuoco diretto)



Immagine parzialmente ribaltata
(Flip Mirror o Diagonale)

IL CALCOLO DEGLI INGRANDIMENTI

L'ingrandimento del vostro telescopio può essere cambiato variando l'oculare. Per determinare l'ingrandimento del vostro NexStar SE, dovete semplicemente dividere la lunghezza focale del telescopio per la lunghezza focale dell'oculare che state usando. La formula per il calcolo dell'ingrandimento è la seguente:

$$\text{Ingrandimento} = \frac{\text{Lunghezza Focale del Telescopio (mm)}}{\text{Lunghezza Focale dell'Oculare (mm)}}$$

Supponiamo, per esempio, di usare un oculare da 25mm. Per determinare il suo ingrandimento dovete semplicemente dividere la lunghezza focale del vostro telescopio (per esempio, il NexStar 4SE ha una lunghezza focale di 1350mm) per la lunghezza focale dell'oculare, 25mm. Dividendo 1350 per 25 si ottiene un ingrandimento di 54x.

Sebbene l'ingrandimento è variabile, ogni telescopio usato con condizioni di cielo medio possiede dei limiti all'ingrandimento.

L'ingrandimento massimo teorico, si ottiene moltiplicando per due il diametro del telescopio (esempio 102mm x 2 : 203x, ottenibile con un oculare da 6mm consigliamo AOPL06 a grande campo), ma sono decisamente pochissime le serate dove questo ingrandimento sarà pienamente utilizzabile.

L'ingrandimento massimo pienamente utilizzabile in condizioni medie di cielo si ottiene moltiplicando per 1,4 il diametro del telescopio; (esempio 102mm x 1,4 : 143x, ottenibile con un oculare da 9mm consigliamo AOPL09 a grande campo)

INGRANDIMENTI NexStar 4SE

Ingrandimento Dotazione	54x oculare da 25mm
Ingrandimento min Utile	34x (oculare da 40mm) CE93325 Celestron Omni 40mm
Ingrandimento medio	67x (oculare 20mm) AOEW20 Ultra Wide 20mm (copre 1° di cielo)
Ingrandimento MAX Utile (in condizioni di cielo buono)	150x (oculare da 9mm) AOPL09 Ultra Wide 9mm campo 58°
Ingrandimento MAX Utile (in condizione di cielo ottimo)	225x (oculare da 6mm) AOPL06 Ultra Wide 6mm campo 58°

INGRANDIMENTI NexStar 5SE

Ingrandimento Dotazione	50x oculare da 25mm
Ingrandimento min Utile	31x (oculare da 40mm) CE93325 Celestron Omni 40mm
Ingrandimento medio	62,5x (oculare 20mm) AOEW20 Ultra Wide 20mm (copre 1° di cielo)
Ingrandimento MAX Utile (in condizioni di cielo buono)	179x (oculare da 7mm) AOPL07 Ultra Wide 7mm campo 58°
Ingrandimento MAX Utile (in condizione di cielo ottimo)	250x (oculare da 5mm) AOPL05 Ultra Wide 5mm campo 58°

LA DETERMINAZIONE DEL CAMPO VISUALE

La determinazione del campo visuale è importante se volete avere un'idea delle dimensioni dell'oggetto che state osservando. Per calcolare il campo visuale reale, dividete il campo visuale apparente dell'oculare (questo dato viene dichiarato dal costruttore dell'oculare) per l'ingrandimento. La formula è la seguente:

$$\text{Campo Reale} = \frac{\text{Campo apparente del Telescopio}}{\text{Ingrandimento}}$$

Come potete vedere, prima di determinare il campo visuale, dovete calcolare l'ingrandimento usando l'esempio precedente, noi possiamo determinare il campo visuale dello stesso oculare da 25mm. L'oculare da 25mm ha un campo apparente di 50°. Dividendo 50° per l'ingrandimento, che è di 54 volte, si ottiene un campo reale inquadrato di circa 1°. Per convertire il campo angolare nella unità di misura anglosassone (piedi a 1000 yard), bisogna moltiplicare il campo per 52.5. Nel nostro esempio, 1° x 52.5 = 52.5 piedi (circa 17 metri) a 1000 yard (poco più di 900 metri).

L'USO DEI FILTRI COLORATI

Celestron possiede un'ampia gamma di filtri utili all'osservazione astronomica. La funzione principale d'ogni filtro è quella di isolare una particolare lunghezza d'onda prediligendone altre. E' così possibile, far risaltare i dettagli più visibili in determinate lunghezze d'onda. (Consigliamo il Set di quattro filtri colorati cod. CE94119-20)

Esistono anche i filtri neutri, che pur non bloccando alcuna lunghezza d'onda, si limitano ad affievolirle tutte. Sono utili nel caso dell'osservazione della luna piena a bassi ingrandimenti.

Dopo aver preso confidenza con il sistema telescopio-oculari, vi consigliamo anche l'utilizzo dei filtri per l'osservazione planetaria in grado di migliorare i dettagli osservati nonché i filtri UHC/LPR e nebulari che permettono di "non far passare" le lunghezze d'onde proprie delle lampade al sodio ed al mercurio dell'illuminazione stradale, consentendo così un miglioramento nella visione delle galassie e delle nebulose planetarie o ad emissione.

Da citare anche i filtri solari in Astrosolar: filtri neutri che consentono, ad 1/100.000 della luce solare d'essere osservata.

Approfondimento: la banda passante di un filtro è la finestra di lunghezze d'onda alla quale sono trasparenti, mentre la trasmissione è data dal rapporto tra la luce trasmessa e quella incidente. Ad esempio, Se osserviamo sul barilotto di un filtro la sigla 23 significherà che esso fa passare soltanto il 23 per cento della luce incidente.

CONSIGLI GENERALI SULLE OSSERVAZIONI VISUALI

Quando si lavora con uno strumento ottico, occorre seguire alcuni accorgimenti da ricordare per ottenere le immagini più nitide possibili.

- Evitate di osservare attraverso i vetri. I vetri di una normale finestra sono otticamente imperfetti e perciò possono avere spessori variabili da una parte all'altra della finestra. Questa disuniformità potrebbe impedirvi di raggiungere la messa a fuoco del telescopio nella maggioranza dei casi. In alcuni casi, vedreste immagini sdoppiate.
- Non fate osservazioni lungo la traiettoria dei oggetti che emettono un forte calore. Tra questi oggetti sono da includere le superfici asfaltate durante l'estate e i tetti delle case.

Come riferimento le dimensioni apparenti della Luna piena ad occhio nudo sono circa 0,5°.

- La foschia, la nebbia e l'umidità possono rendere difficile la messa a fuoco d'estate durante le osservazioni terrestri. In queste condizioni noterete una grande riduzione dei dettagli osservabili. Inoltre, fotografando in queste condizioni, otterrete immagini leggermente più granulose del normale.
- Se portate gli occhiali da vista, potreste volerli togliere quando osservate con il telescopio. Tuttavia, se volete usare la macchina fotografica con il telescopio, è necessario portare gli occhiali per avere la certezza di effettuare una messa a fuoco accurata. Se siete astigmatici, sarete costretti a portare sempre gli occhiali, sia per le osservazioni visuali che per la fotografia.
- Usate sempre ingrandimenti bassi per l'osservazione di oggetti deboli, come galassie, nebulose o comete.

Per ulteriori informazioni tecniche sull'uso dei telescopi consigliamo i libri: "Il libro dei telescopi" di W. Ferreri ed IlCastello - "Telescope No Problem" di Emiliano Ricci - "Manuale dell'Astrofilo" di W. Ferreri.

Quando il vostro telescopio è montato e messo a punto, siete pronti per le prime osservazioni. Questa sezione si occupa delle osservazioni visuali degli oggetti del sistema solare (luna, pianeti, sole) e degli oggetti del cielo profondo (Deep-Sky); inoltre si occupa delle circostanze che condizionano la vostra capacità di eseguire osservazioni.

L'Osservazione della Luna



Spesso, sarete tentati di osservare la Luna quando è Piena. In quel momento però la sua superficie viene illuminata frontalmente e la luce riflessa può risultare eccessiva. Oltre a questo, il contrasto dei suoi particolari sarà, in queste condizioni, molto basso. I momenti migliori per osservare la Luna è quando essa si trova in fase parziale (nei periodi del primo e dell'ultimo quarto). Le lunghe ombre rivelano una grande quantità di dettagli sulla superficie lunare. Agli ingrandimenti più bassi sarete in grado di osservare l'intero disco lunare inquadrato nel campo dell'oculare; il diametro apparente della Luna è di circa 0,5°, perciò consigliamo l'uso dell'oculare da 25mm. Se volete inquadrare solo una porzione del disco lunare, passate ad ingrandimenti maggiori. Per tenere la Luna centrata nel campo del telescopio anche ad alto ingrandimento, selezionate la velocità lunare (lunar tracking

rate) nelle opzioni di inseguimento del MENU del NexStar.

ECLISSE Totale di Luna : 3 Marzo 2007

I CRATERI LUNARI

Sono delle strutture che gli studiosi amano classificare in tre tipi: i circhi, gli anfiteatri ed i microcrateri.

I crateri si sono generati nel corso di milioni d'anni a causa dall'impatto di grosse meteoriti sulla superficie lunare; se la luna avesse posseduto un'atmosfera simile alla terra, queste grosse rocce, si sarebbe quasi totalmente sbriciolate durante il suo attraversamento. I circhi invece, hanno un diametro che può variare tra i 20km ed i 100km: sono contraddistinti da una cinta massiccia e da pareti interne terrazzate. Gli anfiteatri sono dei crateri giganti il cui diametro può raggiungere anche i 300 km. Al loro interno potrete spesso osservare degli altri piccoli crateri, generati da impatti successivi.

I MARI LUNARI

A causa dei citati impatti meteorici, dalle enormi spaccature generate sulla superficie lunare è fuoriuscita della lava, che ha riempito ampie zone, creando delle ampie distese di lava, ora solidificata, chiamate appunto mari.

ALTRE STRUTTURE

Spesso, nel corso della lunazione, potrete ammirare delle piccole strutture cupoliformi chiamate "domi lunari". La loro origine molto probabilmente è di tipo vulcanico e magmatico, è lecito pensare che possa trattarsi di piccoli vulcani spenti o di laccoliti, ossia dei rigonfiamenti della crosta superficiale, provocati dal magma, che tentando di fuoriuscire non è stato in grado di fenderla, riuscendo solo a sollevarla. I più noti domi lunari sono raffigurati in quasi tutte le mappe lunari, fra essi citiamo: i domi nei pressi del cratere Hortensius, i domi a nord e ad ovest di Arago ed i domi ad ovest di Cauchy. La loro altezza è minima, spesso non superano i 200, 300 metri, per questo motivo dovrete osservarli quando si troveranno nei pressi del terminatore lunare (la zona che suddivide la parte illuminata da quella scura), in questo modo la bassa altezza del sole, rispetto all'orizzonte lunare, creerà, come sulla terra, all'alba ed al tramonto, delle ombre molto lunghe.

Consigliamo come atlante lunare di riferimento, l'ottimo *Atlas of the Moon* di Antonin Rukl

Oppure i siti web: <http://luna.uai.it/luna.htm> (sezione Luna - Unione Astrofili Italiani)

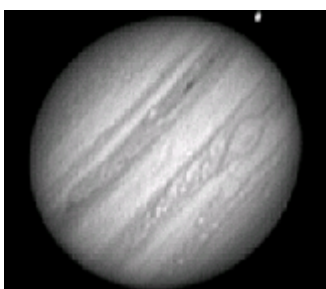
<http://www.lpl.arizona.edu/~rhill/alpo/lunar.html> (A.L.P.O)

CONSIGLI PER L'OSSERVAZIONE LUNARE

Attenzione! Ricordatevi prima di programmare le vostre osservazioni che la luna sorge ogni notte con circa 50 minuti di ritardo, eccetto durante l'equinozio di autunno, quando il tempo si riduce a soli 20 minuti.

Per esaltare il contrasto dei dettagli visibili sulla superficie lunare, usate dei filtri. Un filtro giallo è particolarmente utile per esaltare il contrasto della Luna.

L'Osservazione dei Pianeti



Rispetto a quella lunare, l'osservazione dei pianeti, seppur gratificante, vi sembrerà, all'inizio, molto più faticosa, a causa della minor dimensione angolare da essi sottesa. Inoltre i pianeti, se si eccettua Marte e Saturno, possiedono un basso contrasto superficiale, la turbolenza quindi rovinerà spesso l'osservazione di dettagli già flebili.

La posizione dei pianeti varia di continuo, quindi non riuscirete a rintracciarli sugli atlanti stellari allo stesso modo delle costellazioni, potrete però avvalervi di appositi softwares per computer come il *TheSky* in dotazione e delle tabelle mensili, pubblicate su internet o sulle riviste di settore. (Nuovo Orione, Le Stelle, Coelum, L'Astronomia)

L'osservazione ideale di un pianeta avviene quando la Terra si trova fra esso ed il Sole, ed il pianeta è alla minor distanza dal nostro globo: questo periodo è chiamato "opposizione." Quando ne avrete distinto un rispetto ad una stella, sarà un vero piacere, porre l'occhio al telescopio per notare come quel puntino luminoso ad occhio nudo sia in realtà un pianeta. Con un poco d'esperienza, imparerete, anche senza l'ausilio di mappe, a distinguere una stella da un pianeta, poiché l'immagine planetaria è priva di scintillio, perché brillano di luce riflessa.



Cosa si vede sui Pianeti

MERCURIO : Durante le condizioni migliori, appare sempre di dimensioni angolari molto piccole, perciò sono necessari 200 ingrandimenti per poter scorgere la forma e le fasi. Consigliamo l'osservazione durante il crepuscolo, avendo precedentemente allineato il telescopio con la modalità "Solar System Align" ed usando un filtro Contrast-Booster.

VENERE : E' il pianeta più luminoso del sistema solare, tanto da essere percepibile al telescopio anche in pieno giorno. Per percepire delle tenue ombreggiature sulla superficie occorrono almeno 150 ingrandimenti, in più è consigliabile un filtro blu o Contrast-Booster per risaltare l'atmosfera.

MARTE : Durante le opposizioni più favorevoli si possono percepire l'acceso colore rossastro e la presenza delle calotte polari. L'uso di almeno 200 ingrandimenti, durante le serate più favorevoli, permetterà di scorgere i dettagli più importanti (Syrtis Major, Sinus Meridiani, Sinus Sabaeus e Mare Acidalium). Un filtro rosso aumenterà la visibilità delle zone scure del pianeta, invece un filtro blu mostrerà le zone chiare.

GIOVE : E' il pianeta gigante del nostro sistema solare; a 40 ingrandimenti si percepisce l'appiattimento del disco e la danza dei satelliti galileiani, che spesso proiettano la loro ombra sull'atmosfera gioviana. Con ingrandimenti superiori ai 150x si possono ammirare i dettagli delle bande equatoriali e l'evolversi della Grande Macchia Rossa (GMR).

SATURNO : Il pianeta con gli anelli; già a 120 ingrandimenti si scorge un solco scuro sull'anello (la divisione di Cassini) e almeno tre satelliti, tra questi il più grande Titano. Ingrandimenti più elevati, in buone condizioni permetteranno di osservare i tenui dettagli dell'atmosfera e l'ombra del pianeta su gli anelli.

URANO e NETTUNO : Anche ad alti ingrandimenti saranno percepiti come delle deboli stelle colorate.

Consigli per l'osservazione dei pianeti

Le condizioni dell'atmosfera terrestre sono, di solito, il fattore che limita la nostra capacità di distinguere i dettagli planetari. Perciò, evitate di osservare i pianeti quando essi si trovano bassi sull'orizzonte o quando si trovano direttamente al di sopra di una fonte di calore, come un camino o una strada asfaltata che rilascia il calore. Per maggiori dettagli, vedi il paragrafo intitolato "le condizioni atmosferiche" in questa stessa sezione. Per esaltare il contrasto dei dettagli visibili sulle superfici planetarie, provate ad usare i filtri Celestron per oculari (CE94119-20 set di quattro filtri colorati) o Contrast-Booster (CE94121).

Consigliamo i siti Web : <http://pianeti.uai.it/> (sezione pianeti – Unione Astrofili Italiani) oppure <http://pds.jpl.nasa.gov/> (The Planetary Data System)

L'Osservazione del Sole

Anche se snobbata da molti astrofili, l'osservazione solare è molto gratificante e divertente. Tuttavia, siccome il Sole è molto luminoso, è necessario prendere speciali precauzioni per osservarlo senza correre il rischio di danneggiare i vostri occhi e il vostro telescopio.

Non proiettate mai l'immagine del Sole con il telescopio. A causa dello schema ottico "piegato", si formerebbe internamente un calore fortissimo, in grado di danneggiare il telescopio e/o gli accessori ad esso attaccati.

Per osservare il sole in completa sicurezza, utilizzate un filtro solare in Astrosolar.

Questi filtri riducono l'intensità della luce solare, rendendo sicura l'osservazione. Con questi filtri potrete osservare le Macchie Solari durante il loro moto sul disco del sole e la fine struttura dei "grani di riso", che sono la sommità di colonne convettive di calore .

Consigli per l'osservazione del Sole

- Le ore migliori per osservare il sole sono quelle del primo mattino o del tardo pomeriggio, quando l'aria è più fresca.
- Per centrare il Sole senza guardare nell'oculare, guardate l'ombra proiettata dal telescopio sul terreno: il sole sarà puntato quando il tubo del telescopio formerà un'ombra circolare.
- Per ottenere un inseguimento preciso del Sole, selezionate la velocità di inseguimento Solare.

Consigliamo i siti Web : <http://grupposole.astrofili.org/> (Gruppo Sole Italia) oppure <http://sohowww.nascom.nasa.gov/> (Sonda SOHO) “Manuale per l'osservazione del Sole” : <http://www.gawh.net/pdf/sole.pdf>

L'Osservazione degli oggetti del Cielo Profondo

Gli oggetti del profondo cielo sono semplicemente quegli oggetti che si trovano fuori dai confini del nostro sistema solare. Essi comprendono gli *ammassi stellari*, le *nebulose planetarie*, le *nebulose diffuse*, le *stelle doppie* e le altre *galassie* a di fuori della nostra Galassia, la Via Lattea. Molti oggetti del Profondo Cielo sono angolarmente piuttosto estesi. Di conseguenza, per osservarli dovrete utilizzare solo ingrandimenti bassi o medi. Visualmente, essi sono troppo poco luminosi per mostrare il loro reale colore, e di conseguenza essi saranno visibili in bianco e nero. Inoltre, a causa della loro bassa luminosità superficiale, essi dovrebbero venire osservati da località dotate di un cielo molto scuro. L'inquinamento luminoso tipico delle aree urbane sbiadisce la maggioranza delle nebulose rendendo difficile - se non impossibile - la loro osservazione. L'uso di un filtro Celestron UHC/LPR CE94123 (filtri di riduzione dell'inquinamento luminoso) aiuta a ridurre la luminosità di fondo-cielo, aumentando il contrasto delle immagini.

Il telescopio NexStar SE ha memorizzati tutti gli oggetti del catalogo di Messier (tasto M + numero da 1 a 110), sicuramente il catalogo di oggetti Deep-Sky più famoso e più semplice da osservare.

Oggetti facilmente visibili, anche in condizioni urbane, sono : la nebulosa di Orione (M42) e le Pleadi (M45), durante l'inverno – la galassia di Andromeda (M31) e l'ammasso di M15, durante l'autunno – la nebulosa anello (M57) e l'ammasso dell'Ercole (M13) durante l'estate – l'ammasso il Presepe (M44) e le galassie M81/M82, durante la primavera.

Consigliamo il sito Web : <http://astrolink.mclink.it/messier/Messier.html> , per avere ulteriori informazioni su gli oggetti del catalogo di Messier; oppure il libro “Catalogo Messier” di E. Moltisanti. Per ulteriori informazioni sulle tecniche osservative degli oggetti Deep-Sky consultate il sito : www.gawh.net/ ricco di foto e disegni di molti oggetti del cielo profondo.

Le condizioni del cielo

Le condizioni dell'atmosfera terrestre hanno effetto sulla qualità delle osservazioni con il telescopio. Le condizioni comprendono la trasparenza, l'illuminazione del cielo e il seeing. La comprensione delle condizioni climatiche e degli effetti che esse hanno sulle osservazioni vi aiuteranno ad ottenere il massimo dal vostro telescopio.

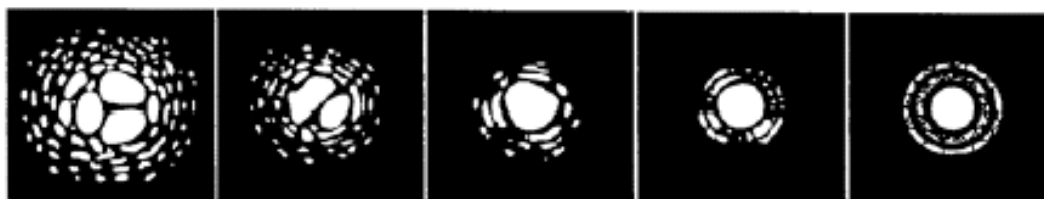
La trasparenza dell'atmosfera

La trasparenza dell'atmosfera che è condizionata dalle nubi, dall'umidità e da altre particelle in sospensione nell'aria. Le spesse nubi a cumulo sono completamente opache mentre i cirri possono essere sottili, consentendo il passaggio della luce delle stelle più brillanti. I cieli carichi di foschia assorbono molta più luce di quelli limpidi rendendo più difficile l'osservazione degli oggetti deboli, e riducendo il contrasto di quelli luminosi. Anche gli aerosol immessi nell'atmosfera durante le eruzioni vulcaniche hanno effetti negativi sulla trasparenza dell'atmosfera. Le condizioni ideali si trovano quando il cielo notturno è nero come l'inchiostro.

Il Seeing (turbolenza)

Ci si riferisce al *seeing* quando si vuole parlare di turbolenza atmosferica. Esso affligge direttamente la quantità di dettagli visibili negli oggetti estesi, e quindi il potere risolutivo reale di un sistema ottico. L'aria della nostra atmosfera tende ad agire come una lente che piega e distorce i raggi luminosi incidenti. L'entità di questa distorsione dipende dalla densità dell'aria. Gli strati d'aria hanno differenti temperature e perciò differenti densità, e perciò deviano la luce in modo differente. I raggi luminosi provenienti dallo stesso oggetto giungono leggermente sparpagliati creando un'immagine imperfetta o diffusa. Questo disturbo atmosferico può variare di momento in momento e da un luogo ad un altro. Le dimensioni delle celle d'aria instabile, confrontate con l'apertura del telescopio che viene usato, determinano la "qualità" del seeing. In buone condizioni di seeing, è possibile osservare dettagli molto fini sulle superfici di Giove e di Marte, e le stelle hanno un aspetto puntiforme. Se il seeing è cattivo, le immagini sono diffuse e le stelle appaiono come palloni. Il seeing viene classificato in una scala con cinque possibili valori, dove uno è il peggiore e cinque è il migliore.

Ai telescopi occorre in genere una trentina di minuti per raggiungere l'equilibrio termico rispetto all'aria esterna, perciò valutate la bontà del seeing solo a raffreddamento avvenuto.



Le condizioni del seeing hanno un effetto diretto sulla qualità delle immagini. Questi disegni rappresentano una sorgente di luce puntiforme (cioè una stella), in condizioni di seeing variabili dalla pessima (a sinistra) fino alla eccellente (a destra). Più sovente, le condizioni di seeing producono immagini che sono rappresentate dai disegni compresi tra questi due estremi.

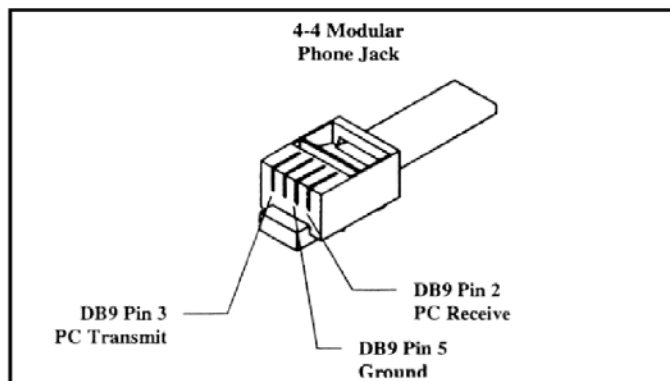
Le condizioni di seeing possono essere classificate in una delle tre categorie appena discusse, a seconda della causa del disturbo recato. In condizioni di Seeing pessime NON usate ingrandimenti Medio-Alti

Nota : l'immagine stellare anche ad ingrandimenti elevati in condizioni di seeing ottime, apparirà sempre puntiforme ma più luminosa.

Collegamento RS232 – PC

E' possibile controllare il vostro telescopio NexStar SE con un computer usando la porta di comunicazione presente sulla pulsantiera (n°12 di pag. 11) ed il cavo RS-232 in dotazione. Una volta collegato alla porta seriale di un PC, il NexStar può essere controllato usando i software di simulazione astronomica (planetari) più diffusi o il software in dotazione NexRemote. Per testare il corretto collegamento PC-Pulsantiera-Telescopio, consigliamo di reperire il software gratuito Ascom, con i driver per telescopi Celestron.

Il cavo necessario per interfacciarsi con il telescopio ha uno spinotto RS-232 maschio ad una estremità e un jack telefonico 4-4 all'altra estremità. Lo schema di collegamento è il seguente:

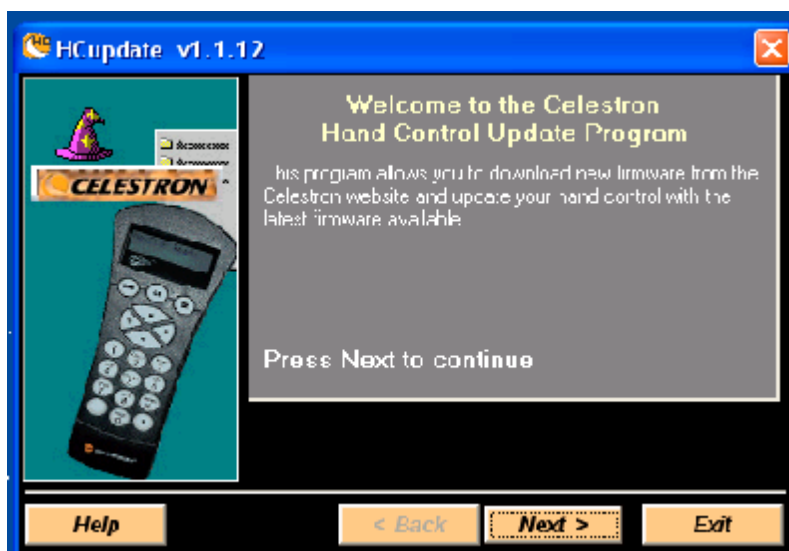


Se il vostro PC non possiede una porta seriale, esistono dei convertitori Seriale USB oppure tramite adattatori seriale Bluetooth (tipo Socket), che eliminano anche la dipendenza dal filo.

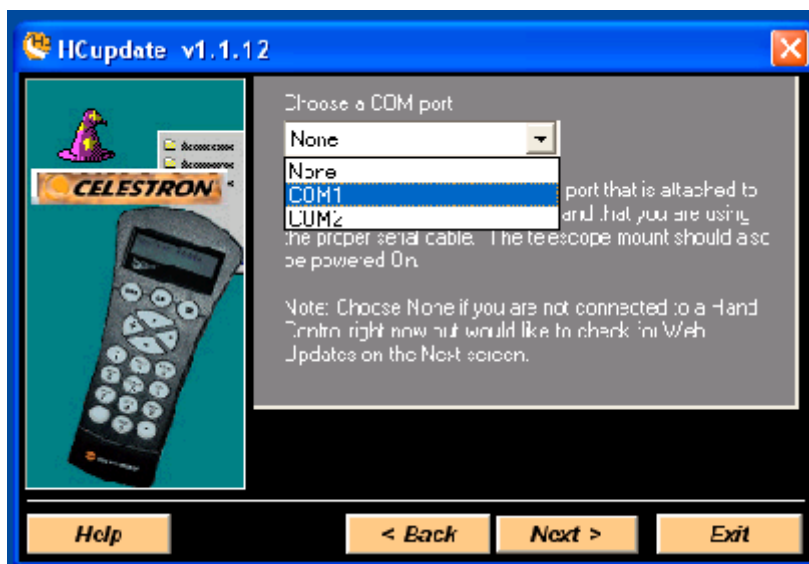
(per ulteriori informazioni consigliamo il sito www.nexstarsite.com).

Aggiornamento firmware pulsantiera

La nuova pulsantiera NexStar utilizza la tecnologia Flash per essere sempre aggiornata via internet, utilizzando il cavo seriale in dotazione (vedi : “Collegamento RS232-PC”). Occorre reperire dal sito Celestron (www.celestron.com) il software gratuito : “Celestron Hcupdate” installarlo sul proprio PC (dotato di collegamento internet) è lanciare l’applicazione.

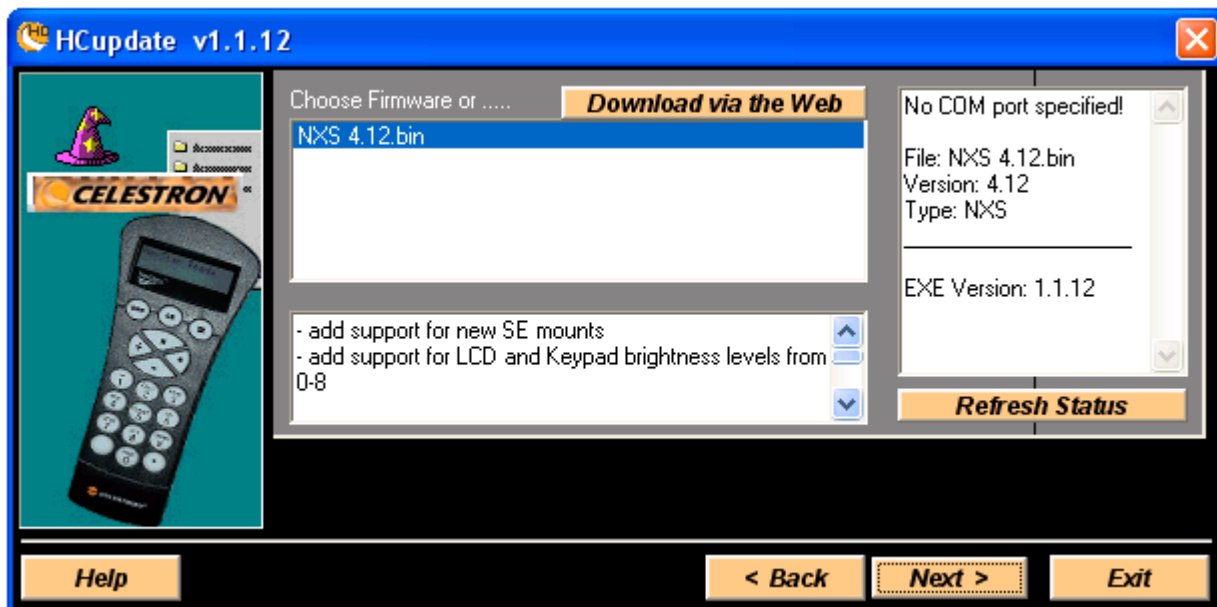


Scegliere la porta COM da utilizzare, se non viene riconosciuta automaticamente, verificare che altre porte non siano attive. Ricordiamo di collegare la pulsantiera al PC tramite il cavo in dotazione ed accendere il telescopio tenendo premuto i tasti : "INFO" + "UNDO".



Eseguite il “Download via the Web” per scaricare il firmware utile alla vostra pulsantiera (il modello NexStar SE è identificato come NXS 4.XX); con il tasto “Refresh Status” potete verificare la versione caricata nella vostra pulsantiera. Durante la fase di aggiornamento oltre all’avanzare della barra di stato del software Hcupdate, vedrete avanzare una serie esadecimale sul display della pulsantiera.

Al termine dell’operazione spegnete il telescopio e scollegate il cavo seriale, accendendo il NexStar verificate tramite la funzione “Version” che l’aggiornamento sia stato eseguito correttamente.



Allineamento polare (con la testa equatoriale)

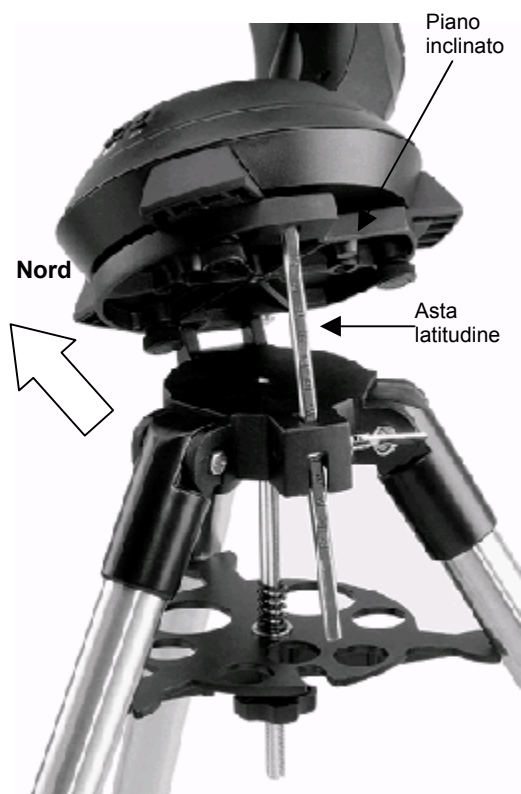
Anche se il Nexstar SE è in grado di inseguire con precisione gli oggetti celesti quando si trova montato in configurazione altazimutale, se si vuole fare astrofotografia a lunga esposizione è indispensabile allineare l'asse polare del telescopio (allineato con il braccio della forcella) con l'asse di rotazione terrestre. Per poter effettuare un allineamento polare preciso, il telescopio richiede l'uso della testa equatoriale.

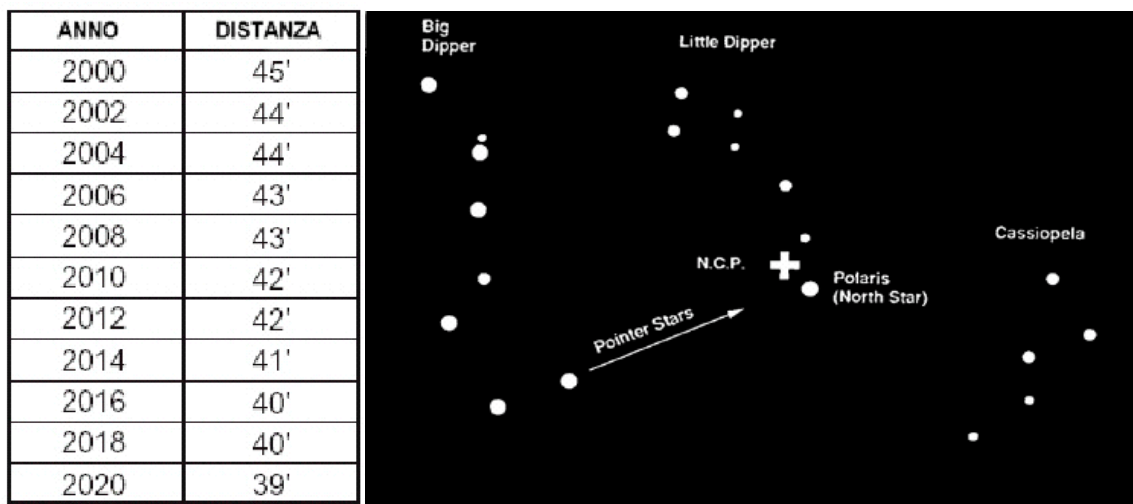
Essa permette ai motori di inseguimento del NexStar, di ruotare il telescopio attorno al polo celeste, come fanno le stelle. Senza la testa equatoriale, vi accorgete che le stelle nell'oculare ruoteranno lentamente attorno al centro del campo visivo. Sebbene questa rotazione graduale è quasi inavvertibile durante le osservazioni visuali, essa sarà molto evidente durante l'esposizione fotografica (rotazione di campo).

L'allineamento polare è il procedimento mediante il quale l'asse di rotazione del telescopio (chiamato asse polare) viene allineato (reso parallelo) all'asse di rotazione della Terra. Una volta allineato, un telescopio dotato di moto orario elettrico inseguirà il moto delle stelle nel cielo. Il risultato sarà di poter tenere fermo nel campo dello strumento ogni oggetto celeste che si sta osservando. E' evidente che in caso contrario gli oggetti inquadrati tenderanno continuamente ad uscire dal campo. Questo moto apparente è causato dalla rotazione della Terra.

Sia che stiate usando il NexStar in configurazione Altazimutale o allineato con il polo, sarà necessario localizzare la posizione del Nord e, in particolare, la posizione esatta della Stella Polare.

- Posizionate il treppiede in modo tale che il giunto della tavola equatoriale guardi in direzione nord
- Posizionate il tubo ottico in modo tale che sia parallelo al braccio della montatura
- Utilizzando la scala graduata riportata sull'asta di regolazione della latitudine, inclinate la montatura in funzione della località (ad esempio Milano : 45°) e bloccate l'asta.
- Utilizzando il cercatore puntate la stella Polare, muovendo esclusivamente il treppiede per regolare l'azimuth e l'asta graduata per la latitudine.





Evolversi della distanza angolare della stella Polare da polo nord celeste (NCP)

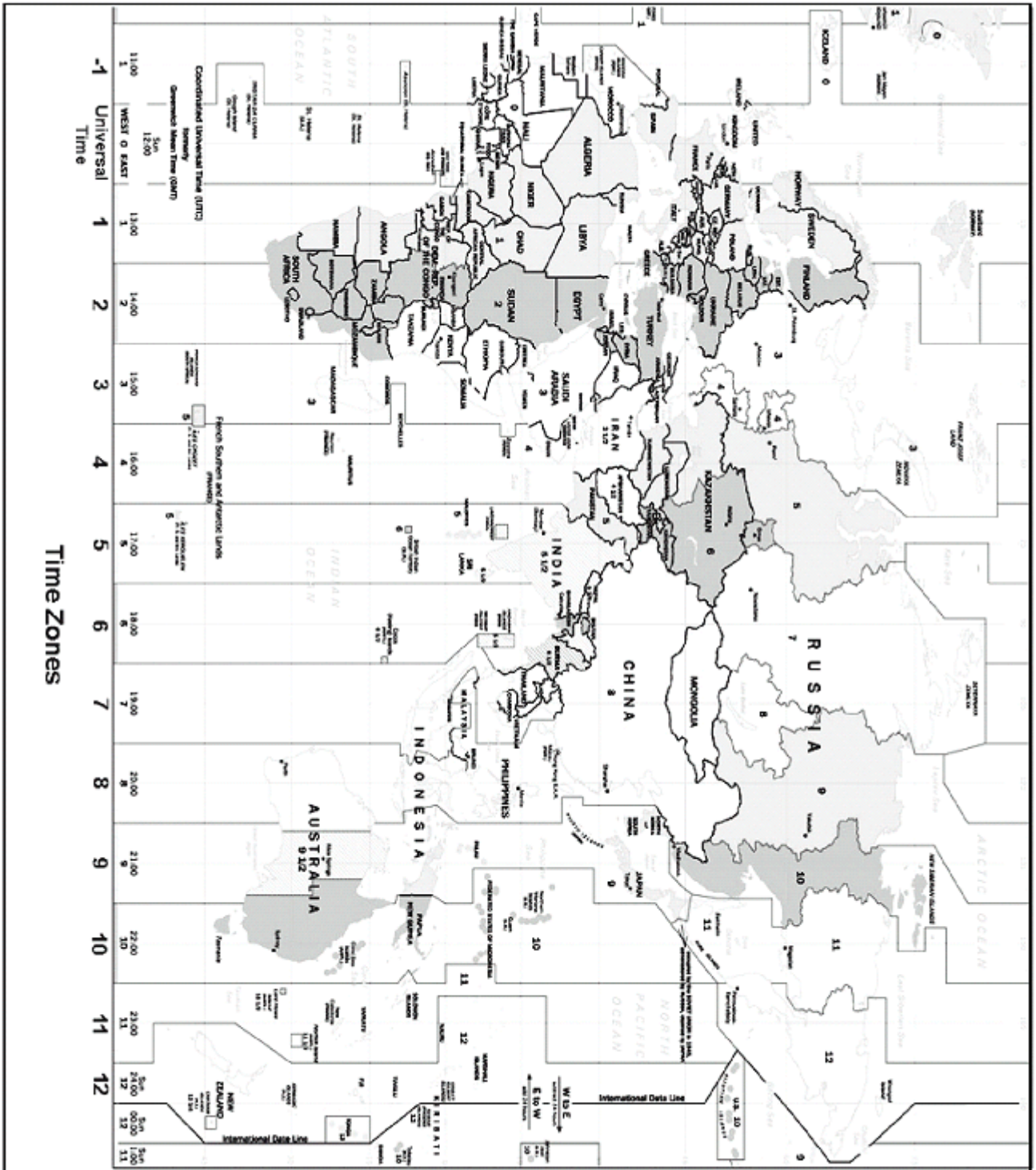
Nota : La stella Polare è l'astro luminoso più vicino al polo nord celeste, dista da esso poco meno di 1°, per un uso fotografico a lunga esposizione, sarà insufficiente allineare lo strumento alla stella Polare, ma sarà necessario ricercare il polo nord celeste esatto.

Wedge Align (allineamento polare su testa equatoriale)

Il NexStar SE ha due modalità di allineamento equatoriale (uno per l'emisfero nord e l'altro per quello meridionale) che vi aiuteranno ad allineare il telescopio al polo celeste quando viene usata la testa equatoriale. Dopo avere eseguito un allineamento EQ AutoAlign oppure un Two Star Alignment, la modalità Wedge Align farà puntare il telescopio verso la posizione verso cui dovrebbe trovarsi la Stella Polare. Usando il treppiede e la testa equatoriale per centrare la Polare nell'oculare, il braccio della forcella (ovvero l'asse polare) verranno quindi puntate verso il Vero Polo Celeste Nord. Una volta completata la procedura Wedge Align, dovete riallineare il vostro telescopio usando una delle due procedure di allineamento EQ. Quello che segue è una descrizione della procedura di allineamento polare per il NexStar nell'Emisfero Nord:

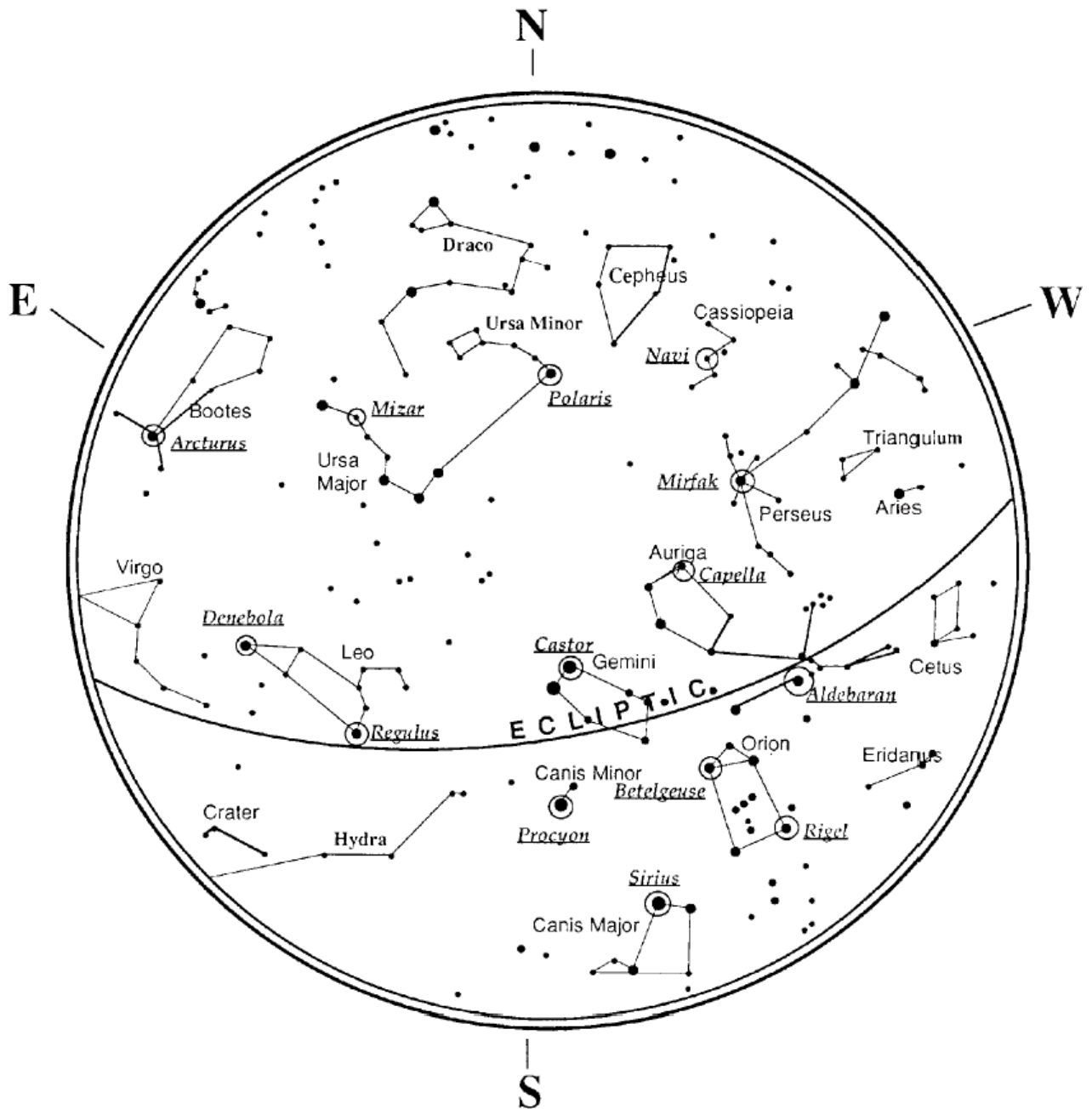
1. Con il telescopio montato all'aperto su la testa equatoriale e puntato in modo approssimativo verso la Stella Polare, allineate lo strumento usando il metodo EQ AutoAlign oppure EQ Two Star Alignment.
2. Selezionate il comando Wedge Align dal menu Utilities e premete ENTER.

Basandosi sul vostro attuale allineamento, il telescopio punterà verso la posizione presunta della stella Polare. Usate le regolazioni del treppiede e della Testa Equatoriale per centrare la Polare nell'oculare del telescopio. **Non usate i tasti direzionali della pulsantiera per centrare la Polare.** Una volta centrata la Stella Polare nell'oculare premete ENTER; l'asse polare del telescopio sarà puntato verso il Polo Nord Celeste.

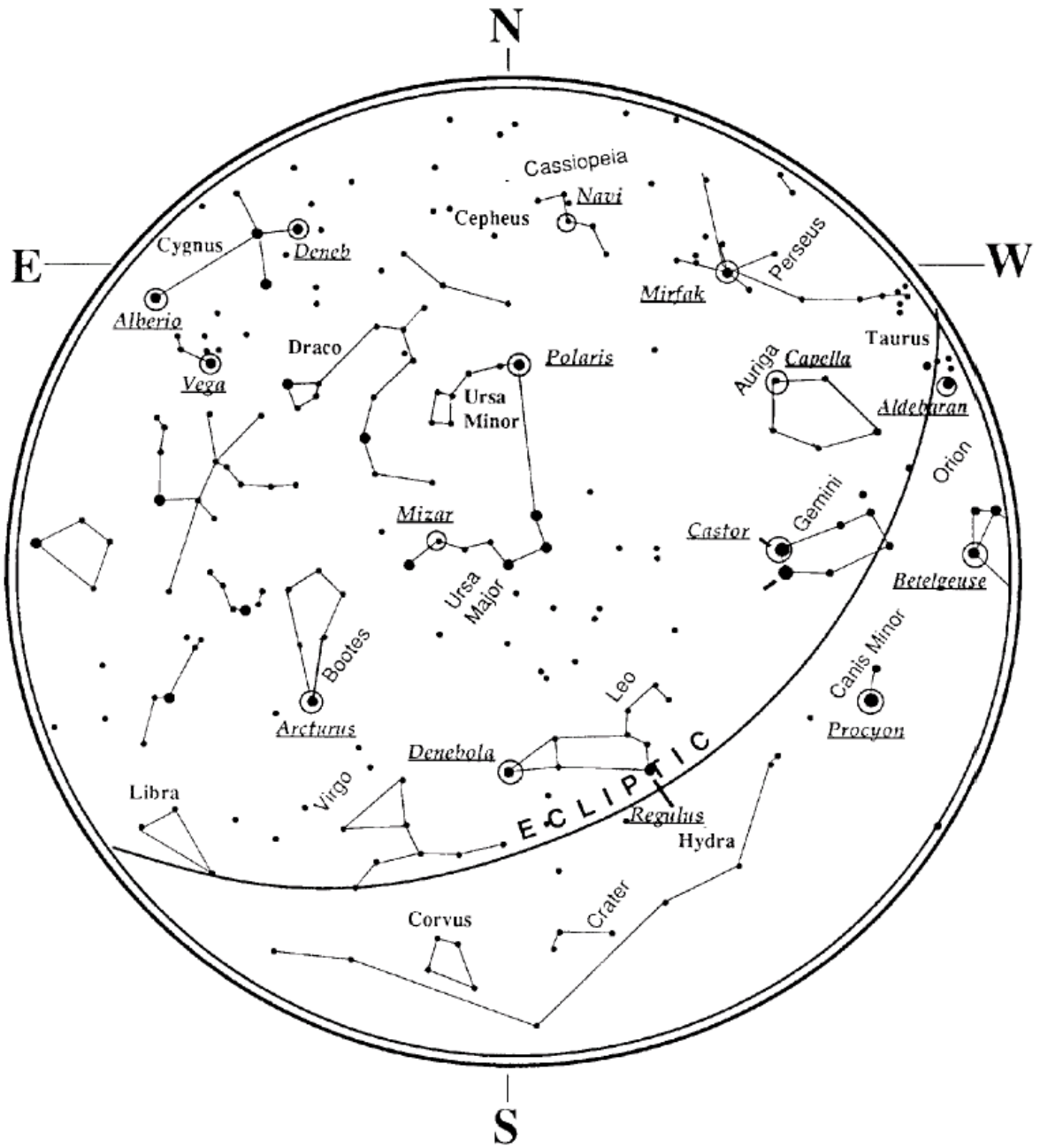


Mapa del Cielo visibile dall'ITALIA, le stelle cerchiare sono i riferimenti di allineamento utili per le diverse stagioni.

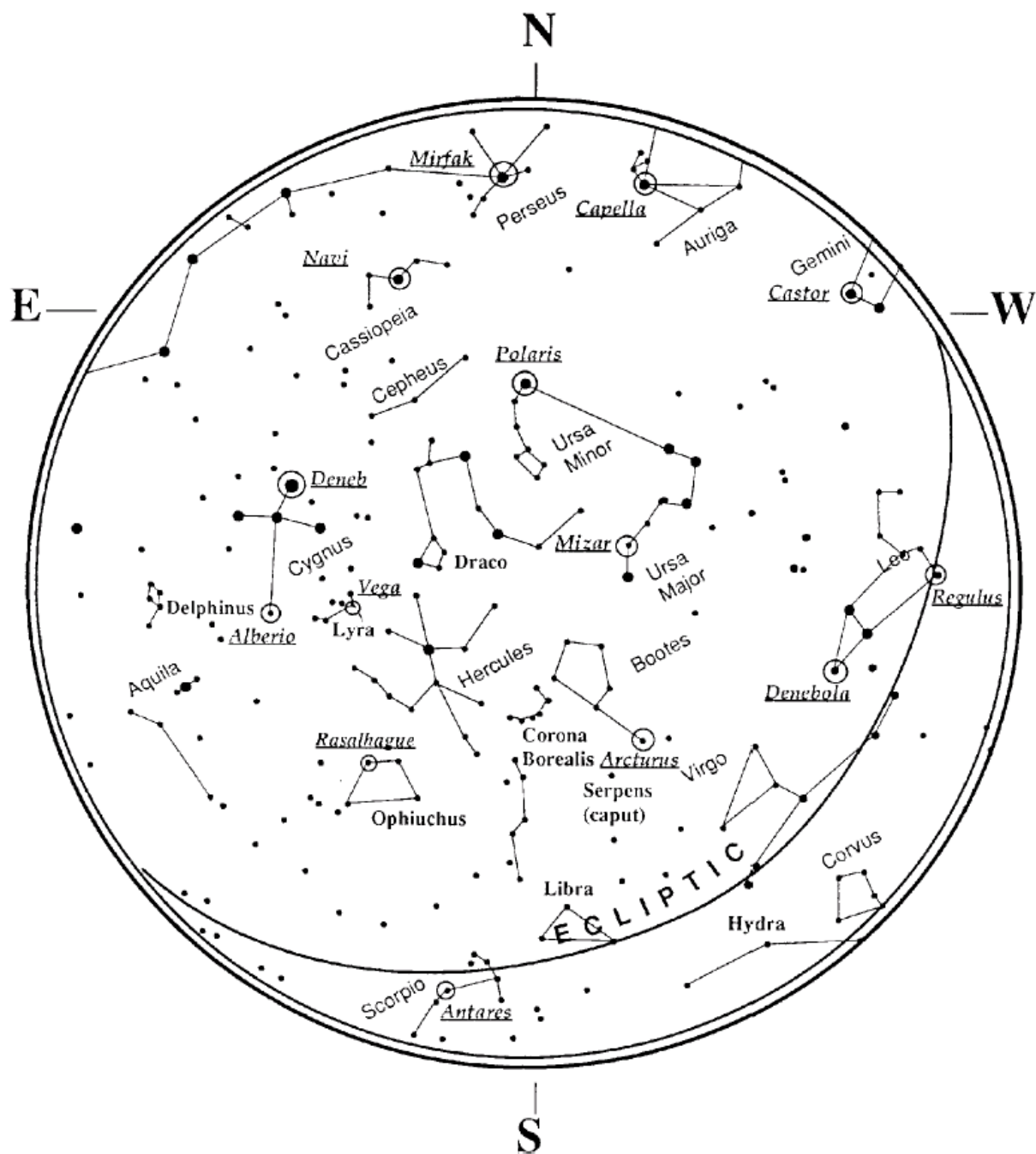
Cielo di Gennaio - Febbraio



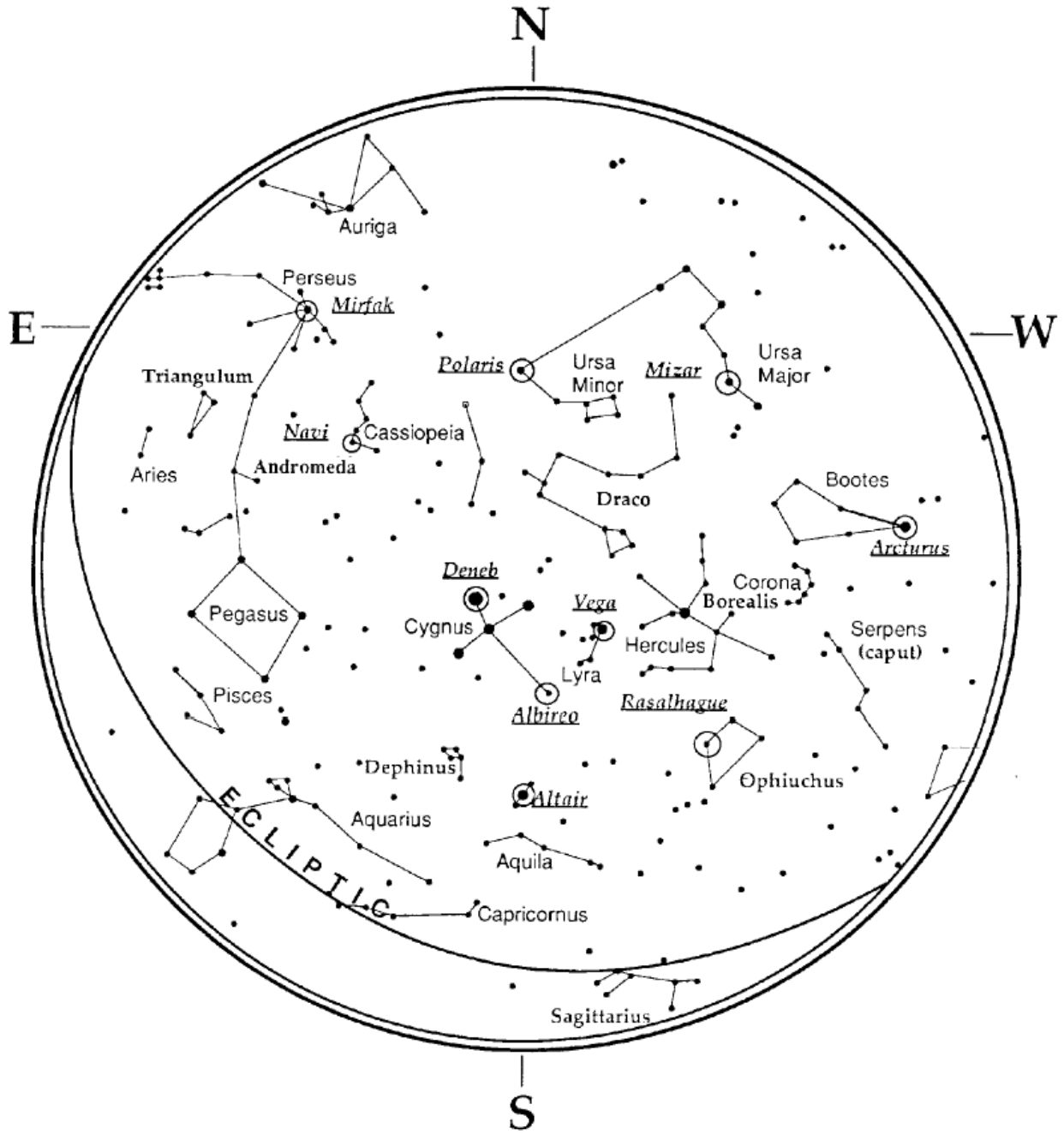
Cielo di Marzo - Aprile



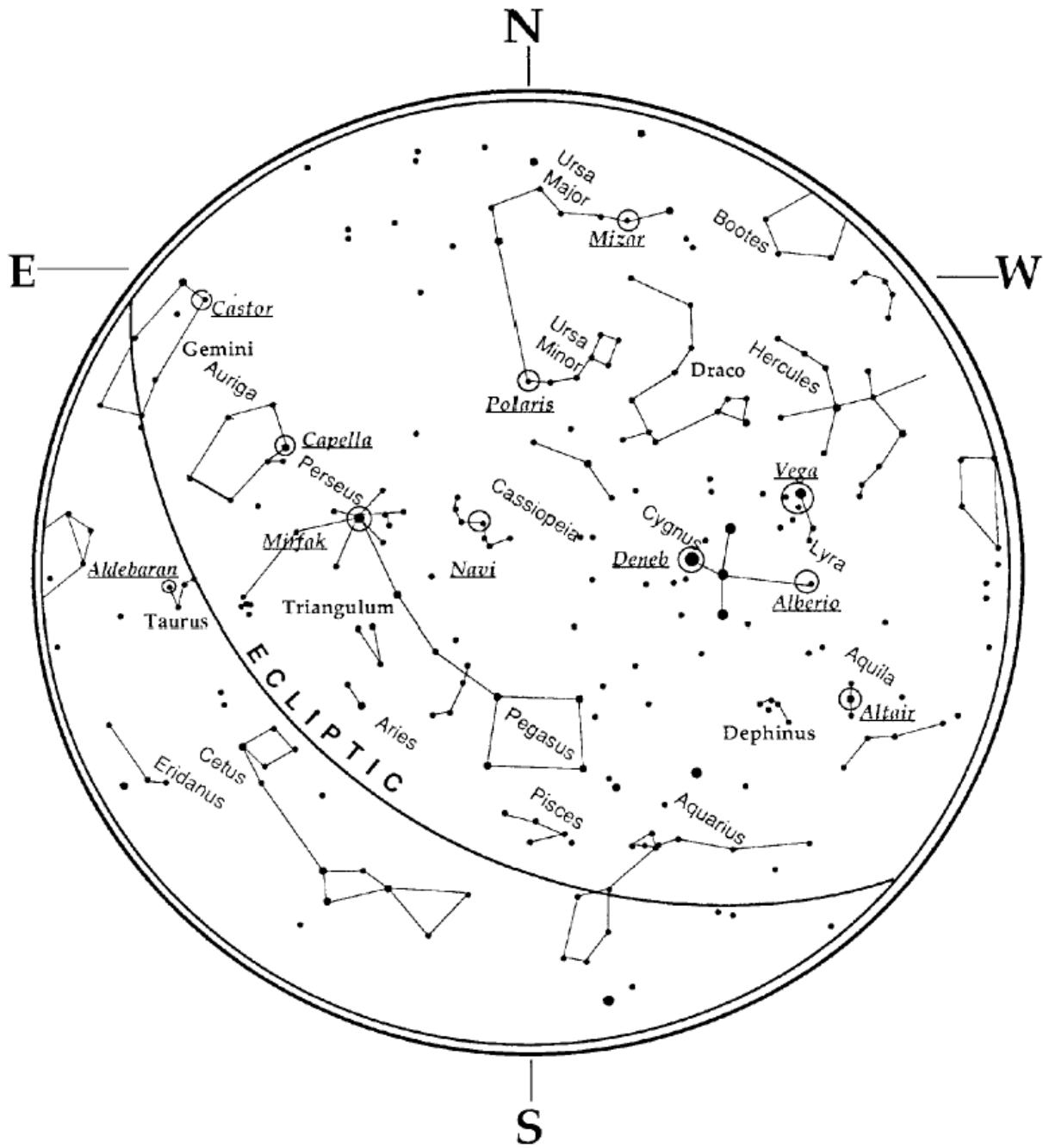
Cielo di Maggio - Giugno



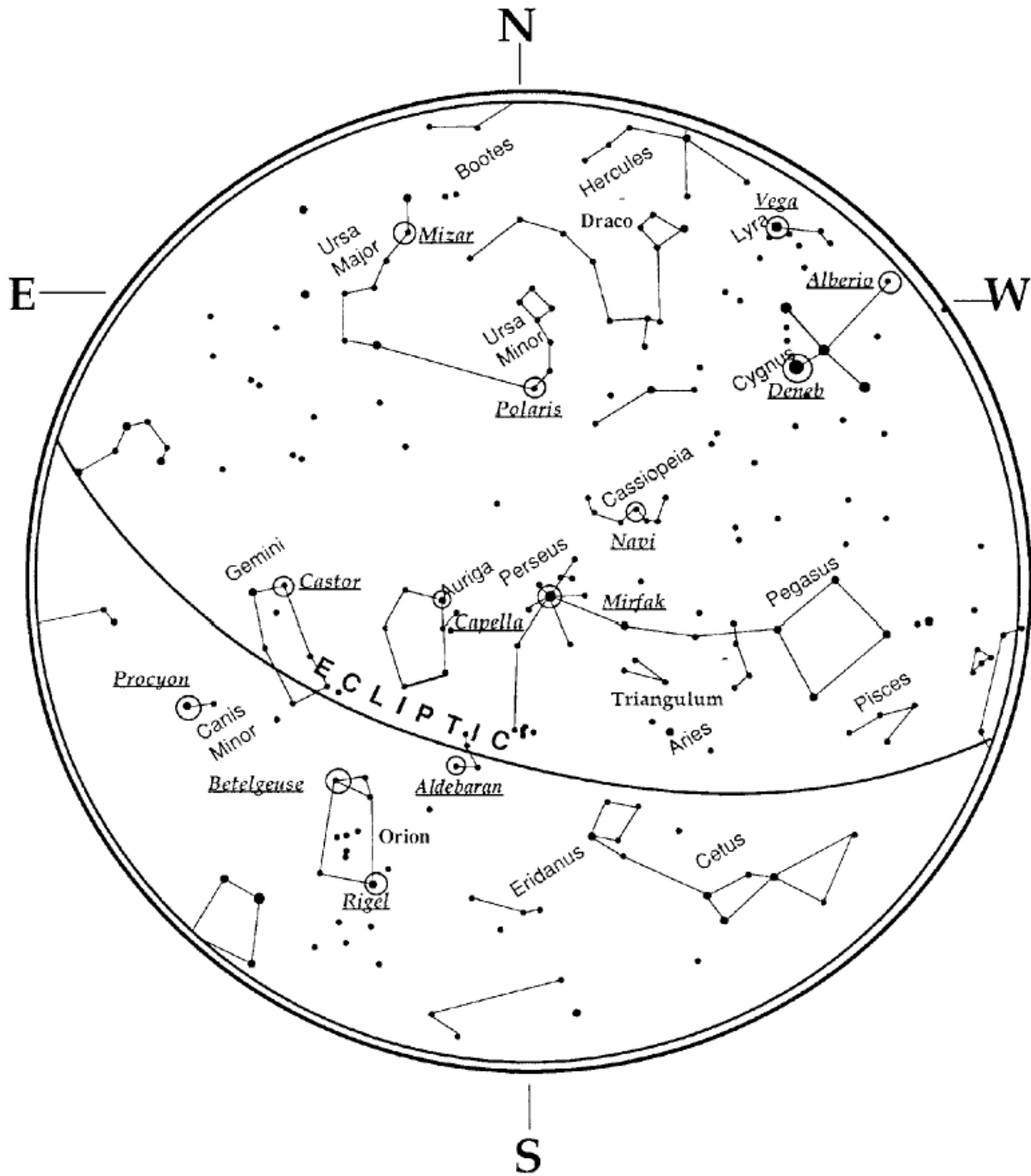
Cielo di Luglio - Agosto



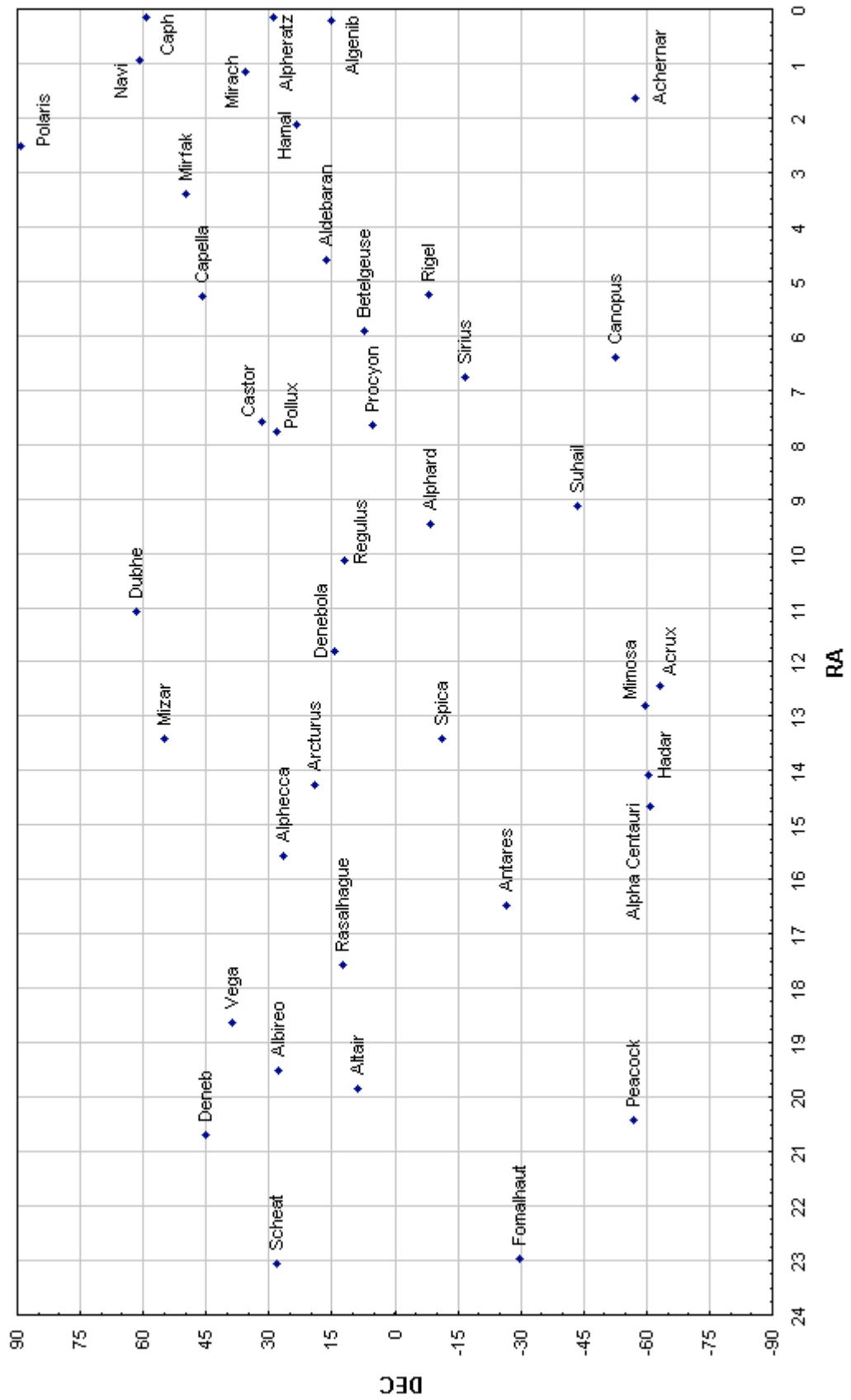
Cielo di Settembre - Ottobre



Cielo di Novembre - Dicembre



PRINCIPALI STELLE DI ALLINEAMENTO NEXSTAR



Appendice A

Astro-Fotografia con il Telescopio NexStar SE

Introduzione

Il telescopio NexStar SE può eseguire fotografie astronomiche in diverse modalità; usando la webcam astronomica si possono riprendere i dettagli dei pianeti, i crateri lunari o le macchie solari (usando il filtro), senza dover eseguire l'allineamento alla polare o eseguire correzioni di ingeguitamento. Utilizzando le fotocamere digitali compatte è possibile riprendere i principali dettagli lunari, accostando la macchina ad un oculare a lunga focale (es. 25mm) impostando lo zoom al minimo ed utizzando l'adattatore universale VX3919. Per eseguire fotografie di oggetti più deboli, come le galassie o le nebulose, occorre configurare il telescopio in equatoriale ed utilizzare fotocamere Reflex digitali impostate a 400-800ISO.

Fotografare i Pianeti con la Web-Cam (cod. CE93712)

La soluzione più semplice per fotografare i dettagli dei pianeti, i crateri lunari, l'evoluzione delle macchie solari (solo usando il filtro in AstroSolar) o le stelle doppie più luminose è collegare la web-cam NexImage della Celestron direttamente al telescopio, senza oculare.

Il sensore VGA 640x480 pixel (3,6x2,7mm) applicato ad un telescopio da 1000mm di lunghezza focale, copre un campo di Cielo di circa 0,25° (metà del diametro della Luna piena), che equivale ad un ingrandimento di circa 225x, che si può raddoppiare usando una lente di Barlow 2x (consigliamo cod. CE93327).

Iniziate inquadrando e centrando ad alti ingrandimenti l'astro da fotografare, consigliamo come primo soggetto da riprendere un cratere lunare per maturare esperienza.

Utilizzate il Flip-Mirror per centrare l'astro ad ingrandimenti medio-alti, dopo mettete a fuoco il soggetto vedendo l'immagine sul PC, attendete che le vibrazioni si smorzino ed iniziate la ripresa.

La web-cam NexImage ha in dotazione un software "Registax", che non esegue un singolo scatto del soggetto, ma bensì un filmato in formato AVI, che successivamente viene elaborato e "mediato" ottenendo l'immagine finale come somma di molti frame.

Questa procedura "seleziona" i frame meno inquinati dal cattivo seeing, sommandoli, ottenendo così un immagine molto incisa e ricca di dettagli.

Per approfondire consigliamo il libro : "Astronomia con la webcam" di A. Carbognani o il sito :www.celestron.com/neximage/

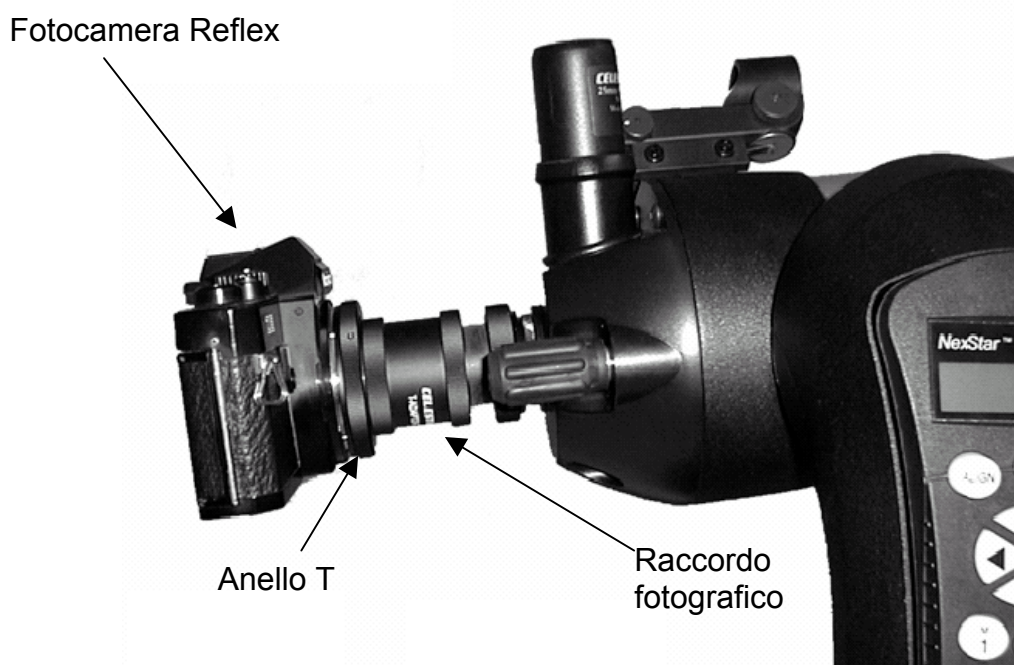


Fotografia a lunga esposizione (fuoco diretto)

Per montare una fotocamera Reflex al telescopio 4SE occorre l'adattatore CE93633-A e l'anello T specifico per il tipo di marca (ad esempio Canon EOS CE93419); la scala è di $0.42^\circ/\text{cm}$ di lato del sensore, cioè poco meno delle dimensioni apparenti della Luna piena. Per il modello 5SE occorre l'adattatore CE93633-A e l'anello da montare sul C5 senza il Visul-Back; la scala è di $0.46^\circ/\text{cm}$ di lato del sensore. Solo per il modello 5SE consigliamo l'uso del riduttore di focale f/6.3 (CE94175), per ottenere una focale equivalente a 788mm priva di vignettature ed il radial-guider (CE94176) per poter correggere le esposizioni lunghe, con una stella di riferimento.

Dopo aver configurato il telescopio in equatoriale ed allineato, eseguite alcune brevi esposizioni di stelle luminose, per ricercare la corretta messa a fuoco. Iniziate con soggetti luminosi come la galassia di M31 o la nebulosa di M42, per ricercare la giusta sensibilità da impostare (400-800-1600 ISO), eseguite esposizioni brevi di circa 20-30 secondi, utilizzate le funzioni "Camera" per controllare i tempi di esposizione.

Se fotografate da cieli molto inquinati allungando molto il tempo di esposizione, saturerà presto il sensore schiarendo molto il fondo cielo. Maturando esperienza converrà eseguire molte esposizioni brevi dello stesso soggetto, che in fase di post-elaborazione, con i programmi di foto-ritocco saranno allineate e sommate tra loro, per ottenere il risultato finale di un'unica esposizione più lunga.



Fotografia terrestre

Il vostro NexStar può funzionare come eccellente teleobiettivo per fotografia terrestre. La fotografia terrestre con il telescopio è più facile con la montatura usata in configurazione altazimutale, e con il moto orario fermo. Per fermare il moto orario di inseguimento, premete il tasto MENU (9), e scorrete tra le opzioni fino a visualizzare il sotto-menu Tracking Mode (modi di inseguimento). Usate i tasti di scorrimento Up e Down per selezionare l'opzione Off (spento) e premete ENTER per confermare la scelta. Questo spegnerà i motori di inseguimento, e gli oggetti terrestri resteranno inquadrati nel campo della vostra fotocamera.

Appendice B

Database NexStar SE dei principali oggetti astronomici

Nome	Mag	Size	Tipo	Cost					
Andromeda Glx - M 31	3.5	178'	Gal	Andromeda	Hind's Variable Neb - NGC 1555			Neb	Taurus
Barnard's Galaxy - NGC 6822	9.0	10.2'	Gal	Sagittarius	Horsehead Neb - IC 434	11.3	60'	Neb	Orion
Bear Paw Galaxy - NGC 2537	11.7	1.7'	Gal	Lynx	Hubble Variable Neb - NGC 2261		2'	Neb	Monoceros
Beehive OC - M 44	3.1	95'	OC	Cancer	Hyades - NGC 7845		4°	OC	Taurus
Black-Eye Glx - M 64	8.5	9.3'	Gal	Coma Berenices	Lagoon Nebula - M 8	5.8	90'	Neb	Sagittarius
					Little Dumbbell - NGC 650	12.0	4.8'	PN	Perseus
					NGC 891	10.0	13.5'	Gal	Andromeda
Blinking Plan - NGC 6826	10.0	2.3'	PN	Cygnus	North American Neb - NGC 7000		120'	Neb	Cygnus
Blue Planetary - NGC 3918	8.0	0.2'	PN	Centaurus	Omega Cluster - NGC 5139	3.7	36.3'	GC	Centaurus
Blue Snowball - NGC 7662	9.0	2.2'	PN	Andromeda	Orion Nebula - M 42	4.0	66'	Neb	Orion
Bode's Nebula - M81	6.9	25.7'	Gal	Ursa Major	Owl Nebula - M 97	11.2	3.2'	PN	Ursa Major
Box Nebula - NGC 6309	11.0	1.1'	PN	Ophiuchus	Pinwheel - M 33	5.7	62'	Gal	Triangulum
Bubble Nebula - NGC 7635		15'	SR	Cassiopeia	Pleiades - M 45	1.5	89'	OC	Taurus
Bug Nebula - NGC 6302	13.0	0.8'	PN	Scorpius	Ring Nebula - M 57	9.0	2.5'	PN	Lyra
					Ring-Tail Galaxy - NGC 4038	13.0	3.2'	Gal	Corvus
					Rosette Nebula - NGC 2244			Neb	Monoceros
Butterfly OC - M 6	4.2	15'	OC	Scorpius	Saturn Nebula - NGC 7009	8.0	1.7'	PN	Aquarius
California Neb - NGC 1499		145'	Neb	Perseus	Sculptor Glx - NGC 253	7.1	25.1'	Gal	Sculptor
Cat's Eye Neb - NGC 6543	9.0	5.8'	PN	Draco	Siamese Twins - NGC 4567	11.3	3.0'	Gal	Virgo
Christmas Tree - NGC 2264	3.9	60'	OC	Monoceros	Sombrero Glx - M 104	8.3	8.9'	Gal	Virgo
Cocoon Nebula - IC 5146	7.2	12'	Neb	Cygnus	Spindle Glx - NGC 3115	9.2	8.3'	Gal	Sextans
Crab Nebula - M 1	8.4	6'	SR	Taurus	Stephan's Quintet - NGC 7317	12.7	2.2'	Gal	Pegasus
Crescent Nebular - NGC 6888		20'		Cygnus	Sunflower Glx - M 63	8.6	12.3'	Gal	Canes Venatici
Deer Lick Galaxy - NGC 7331	9.5	10.7'	Gal	Pegasus	Swan Nebula - M 17	6.0	46'	Neb	Sagittarius
Double Clust - NGC 869 / 884	4.0	30'	OC	Perseus	Tarantula Neb - NGC 2070	8.2	40'	Neb	Dorado
Dumbbell Neb - M 27	8.1	15.2	PN	Vulpecula	Trifid Nebula - M 20	6.3	29'	Neb	Sagittarius
Eagle Nebula - M 16	6.0	35'	Neb	Serpens	Veil Nebula - NGC 6992 / 6960		2.5°	SR	Cygnus
Eight Burst Nebula - NGC 3132	8.0	0.8'	PN	Vela					
Eskimo Nebula - NGC 2392	10.0	0.7'	PN	Gemini	Whirlpool Galaxy - M 51	8.4	11'	Gal	Canes Venatici
Ghost Of Jup - NGC 3242	9.0	20.8'	PN	Hydra	Wild Duck Clus - M 11	5.8	14'	OC	Scutum
Helix Nebula - NGC 7293		12.8'	PN	Aquarius					
Hercules GC - M 13	5.9	16.6'	GC	Hercules					

Appendice C

Coordinate Geografiche delle Principali Città Italiane

LOCALITA'	LATITUDINE		LONGITUDINE	
	Grad.	Min.	Grad.	Min.
AGRIGENTO	37 N	18	-13 E	55
ALESSANDRIA	44 N	54	-8 E	38
ANCONA	43 N	37	-13 E	31
AOSTA	45 N	44	-7 E	20
AQUILA	42 N	24	-13 E	24
AREZZO	43 N	28	-11 E	35
ASCOLI PICENO	42 N	52	-13 E	36
ASTI	44 N	54	-8 E	12
AVELLINO	40 N	54	-14 E	47
BARI	41 N	7	-16 E	53
BELLUNO	46 N	8	-12 E	13
BENEVENTO	41 N	7	-14 E	48
BERGAMO	45 N	42	-9 E	39
BOLOGNA	44 N	30	-11 E	20
BOLZANO	46 N	30	-11 E	20
BRESCIA	45 N	32	-10 E	12
BRINDISI	40 N	39	-17 E	56
CAGLIARI	39 N	13	-9 E	6
CALTANISSETTA	37 N	29	-14 E	4
CAMPOBASSO	41 N	34	-14 E	40
CARRARA	44 N	4	-10 E	5
CASERTA	41 N	30	-13 E	50
CATANIA	37 N	30	-15 E	5
CATANZARO	38 N	54	-16 E	35
CHIETI	42 N	21	-14 E	11
COMO	45 N	49	-9 E	5
COSENZA	39 N	17	-16 E	15
CREMONA	45 N	8	-9 E	1
CUNEO	44 N	23	-7 E	33
ENNA	37 N	33	-14 E	17
FERRARA	44 N	50	-11 E	38
FIRENZE	43 N	46	-11 E	16
FOGGIA	41 N	28	-15 E	34
FORLI'	44 N	13	-12 E	2
FROSINONE	41 N	39	-13 E	22
GENOVA	44 N	25	-8 E	55
GORIZIA	45 N	57	-13 E	37
GROSSETO	42 N	46	-11 E	7
IMPERIA	43 N	54	-8 E	2
ISERNIA	41 N	35	-14 E	13
ISOLA DI LINOSA	35 N	53	-12 E	52
ISOLA DI USTICA	38 N	43	-13 E	11
L'AQUILA	42 N	24	-13 E	24
LA SPEZIA	44 N	6	-9 E	49
LATINA	41 N	28	-12 E	53
LECCE	40 N	21	-18 E	10
LIVORNO	43 N	33	-10 E	19
LUCCA	43 N	50	-10 E	30
MACERATA	43 N	20	-16 E	35
MANTOVA	45 N	9	-10 E	47

MARSALA	37 N	48	-12 E	26
MASSA	44 N	2	-10 E	8
MATERA	40 N	41	-16 E	37
MERANO	46 N	41	-11 E	10
MESSINA	38 N	11	-15 E	33
MILANO	45 N	28	-9 E	12
MODENA	44 N	38	-10 E	56
NAPOLI	40 N	21	-14 E	15
NOVARA	45 N	27	-8 E	36
NUORO	40 N	20	-9 E	20
ORISTANO	39 N	54	-8 E	35
PADOVA	45 N	24	-11 E	52
PALERMO	38 N	7	-13 E	22
PARMA	44 N	48	-10 E	10
PAVIA	45 N	11	-9 E	9
PERUGIA	43 N	7	-12 E	23
PESARO	43 N	55	-12 E	55
PESCARA	42 N	28	-14 E	13
PIACENZA	45 N	3	-9 E	42
PISA	43 N	43	-10 E	24
PISTOIA	43 N	56	-10 E	55
PORDENONE	45 N	57	-12 E	39
POTENZA	40 N	38	-15 E	49
RAVENNA	44 N	25	-12 E	12
REGGIO CALABRIA	38 N	6	-15 E	39
REGGIO EMILIA	44 N	41	-10 E	38
RIETI	42 N	25	-12 E	58
ROMA	41 N	54	-12 E	29
ROVIGO	45 N	4	-11 E	48
SALERNO	40 N	41	-14 E	46
SAN MARINO	43 N	56	-12 E	26
SASSARI	40 N	44	-8 E	33
SAVONA	44 N	18	-8 E	29
SIENA	43 N	19	-11 E	18
SIRACUSA	37 N	4	-15 E	17
SONDRIO	46 N	11	-9 E	53
SPEZIA	44 N	6	-9 E	49
TARANTO	40 N	28	-17 E	15
TERAMO	42 N	39	-13 E	43
TERNI	42 N	34	-12 E	39
TORINO	45 N	4	-7 E	42
TRAPANI	38 N	1	-12 E	32
TRENTO	46 N	3	-11 E	8
TREVISO	45 N	40	-12 E	15
TRIESTE	45 N	39	-13 E	46
UDINE	46 N	3	-13 E	14
VARESE	45 N	50	-8 E	49
VENEZIA	45 N	26	-12 E	20
VERCELLI	45 N	20	-8 E	25
VERONA	45 N	26	-11 E	20
VICENZA	45 N	32	-11 E	32
VITERBO	42 N	25	-12 E	7

Appendice D

Celestron TheSKY Mini-guida all'utilizzo

Premessa

Insieme a questo manuale, troverete un CD-Rom contenente la versione originale del famoso planetario "The Sky". Questo software presenta così tante funzioni che se dovessimo elencarle tutte, saremo costretti a scrivere un altro manuale ancor più grande di quello creato. Per questo motivo ci limiteremo a citare solo le funzioni essenziali.

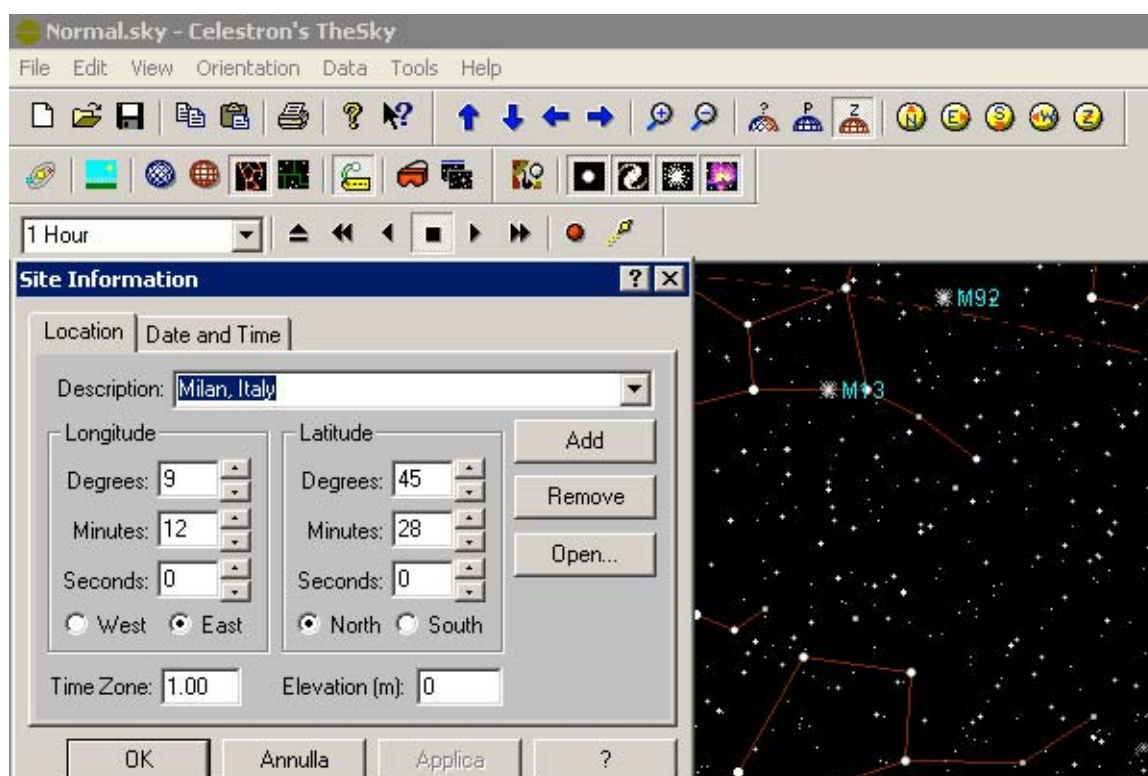
1) Impostazione del luogo d'osservazione

Dopo aver avviato il programma, la prima cosa che dovete fare sarà impostare il planetario in base alla vostra posizione osservativa, per far questo dovete selezionare nel menù in alto il pulsante "DATA" scegliendo dal menù a tendina l'impostazione "SITE INFORMATION".

Si aprirà una piccola finestra, dove saranno disponibili centinaia di località americane. Per inserire le più importanti città mondiali fra cui quelle italiane, dovete premere il tasto "OPEN" e cliccare per due volte con il tasto sinistro del mouse su "CITIES OUTSIDES USA LOCATION" infine vi basterà scegliere, dal lungo menù, il capoluogo della vostra città.

Ora è il momento di impostare l'orario, attraverso il pulsante "DATE and TIME" che troverete a destra del comando "LOCATION"

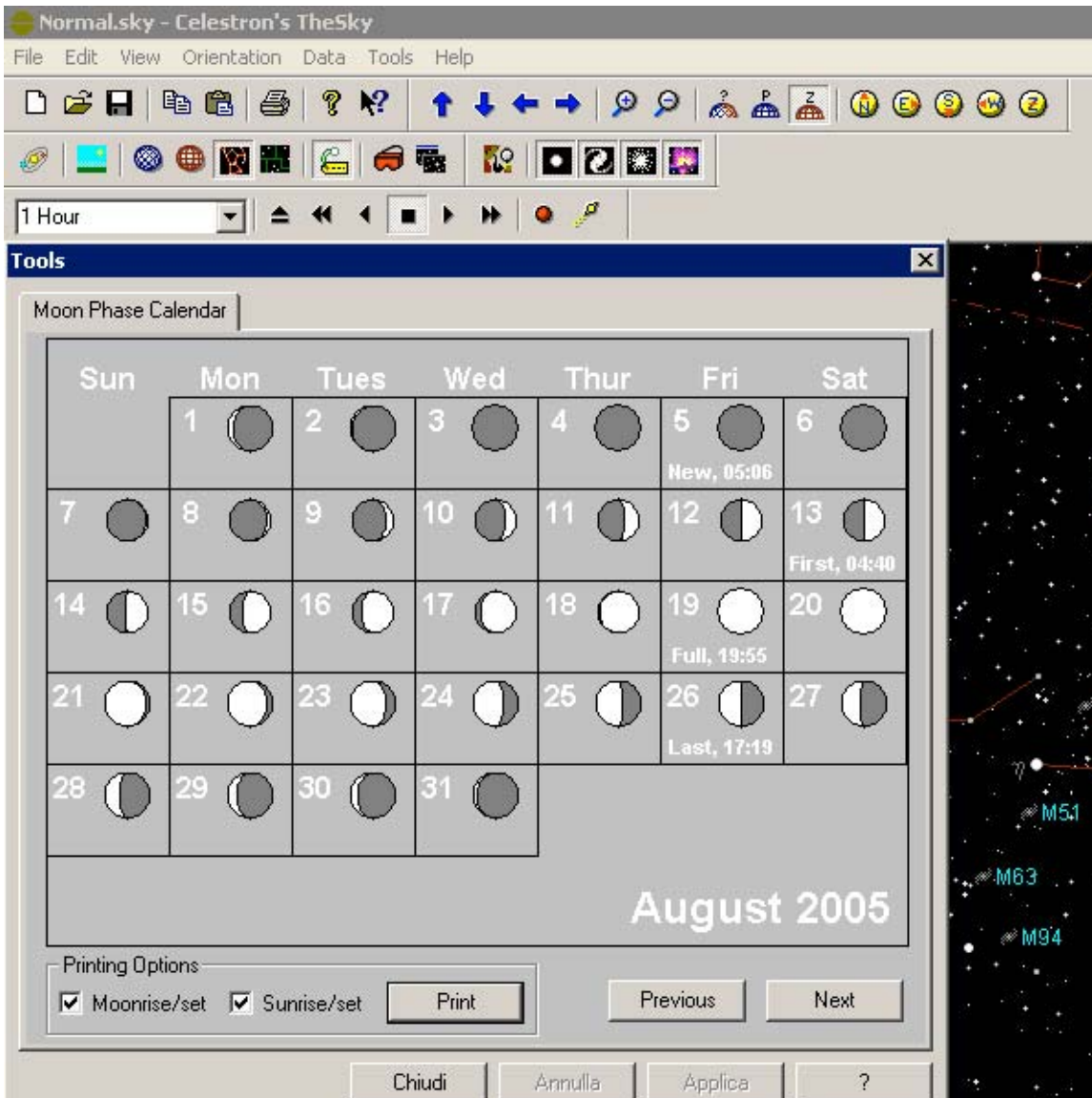
Accedendo alla nuova finestra vi consigliamo di lasciare il segno di spunta su "USE COMPUTER'S CLOCK", in questo modo il planetario utilizzerà automaticamente le impostazioni orarie del vostro personal computer. In caso contrario dovete digitare manualmente il tempo della vostra località osservativa.



2) Osservare le fasi lunari

Per usufruire di questa utile funzione dovrete semplicemente premere su “TOOLS” e poi su “MOON PHASE CALENDAR”. The Sky vi mostrerà il calendario lunare del mese in corso, inoltre, premendo sui tasti “PREVIOUS “ e “NEXT” potrete esaminare, le fasi lunari dei mesi precedenti e di quelli successivi.

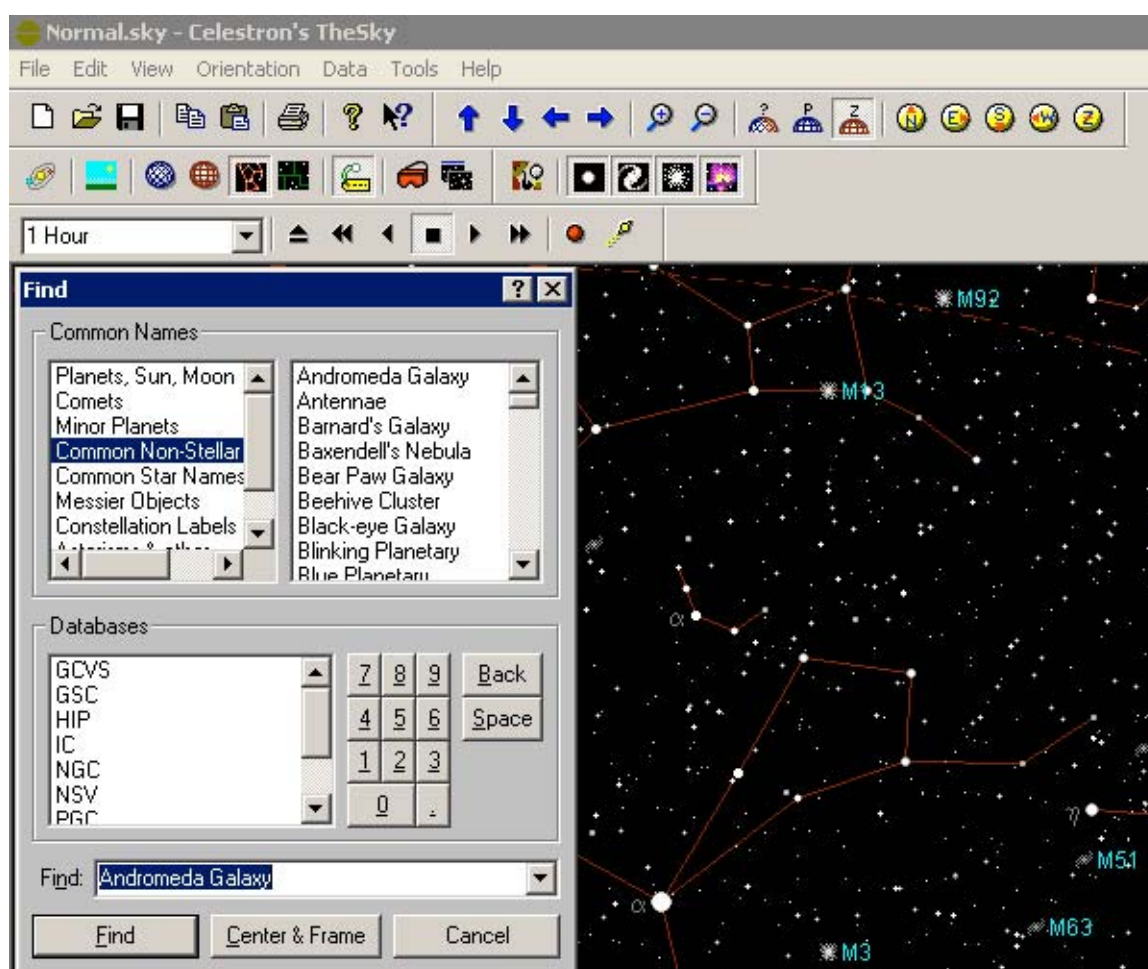
Premendo sul tasto “PRINT” sarà possibile, se sul vostro computer è installata una stampante, stampare il calendario cartaceo del mese richiesto.



3) La ricerca degli oggetti celesti

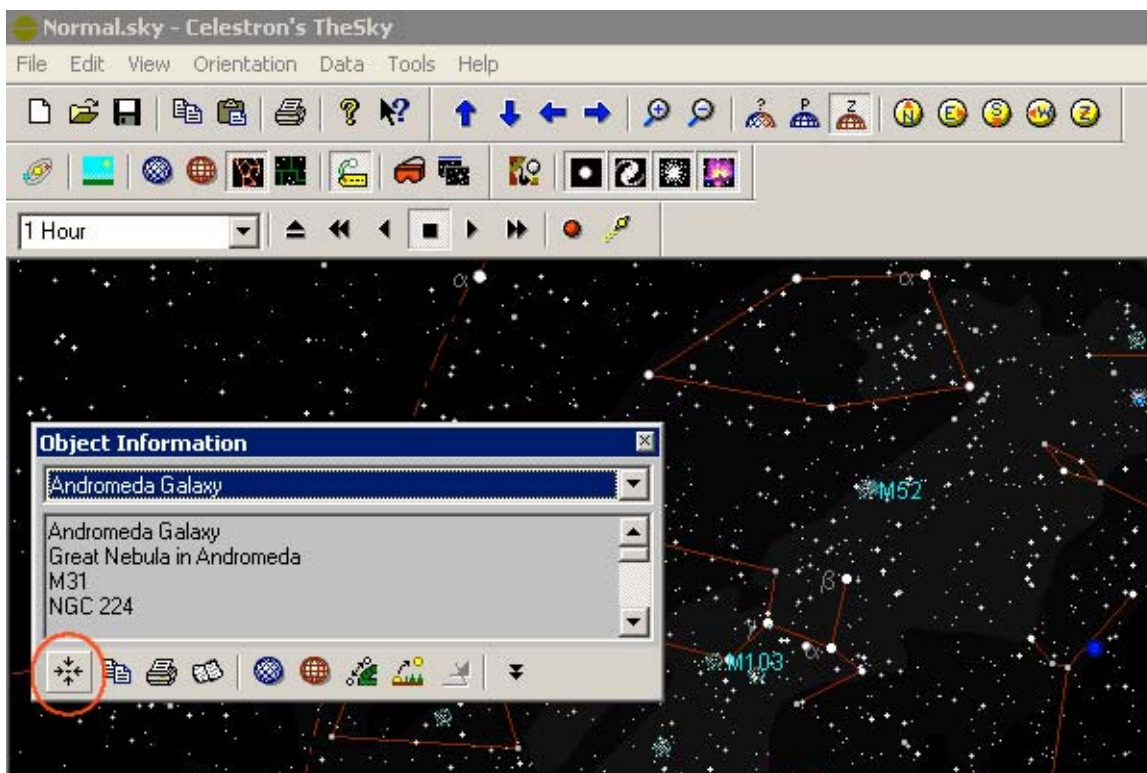
The Sky, concede in maniera rapida ed efficace di cercare uno dei tantissimi oggetti celesti presenti nel suo database. Premete il tasto F della vostra tastiera per accedervi rapidamente, oppure scegliete nel menù in alto, “EDIT” premendo infine il tasto “FIND”.

In questo modo si aprirà una finestra, dalla quale sarà possibile scegliere decine d’oggetti, fra pianeti, oggetti Messier, stelle, costellazioni, asterismi etc.



Premendo sul pulsante “FIND” sarà visualizzata un’altra piccola finestra con i dati dell’oggetto.

Per centrare, come nell’esempio, la Galassia d’Andromeda dovrete premere il piccolo pulsante “CENTER” che abbiamo cerchiato di rosso nella figura seguente.

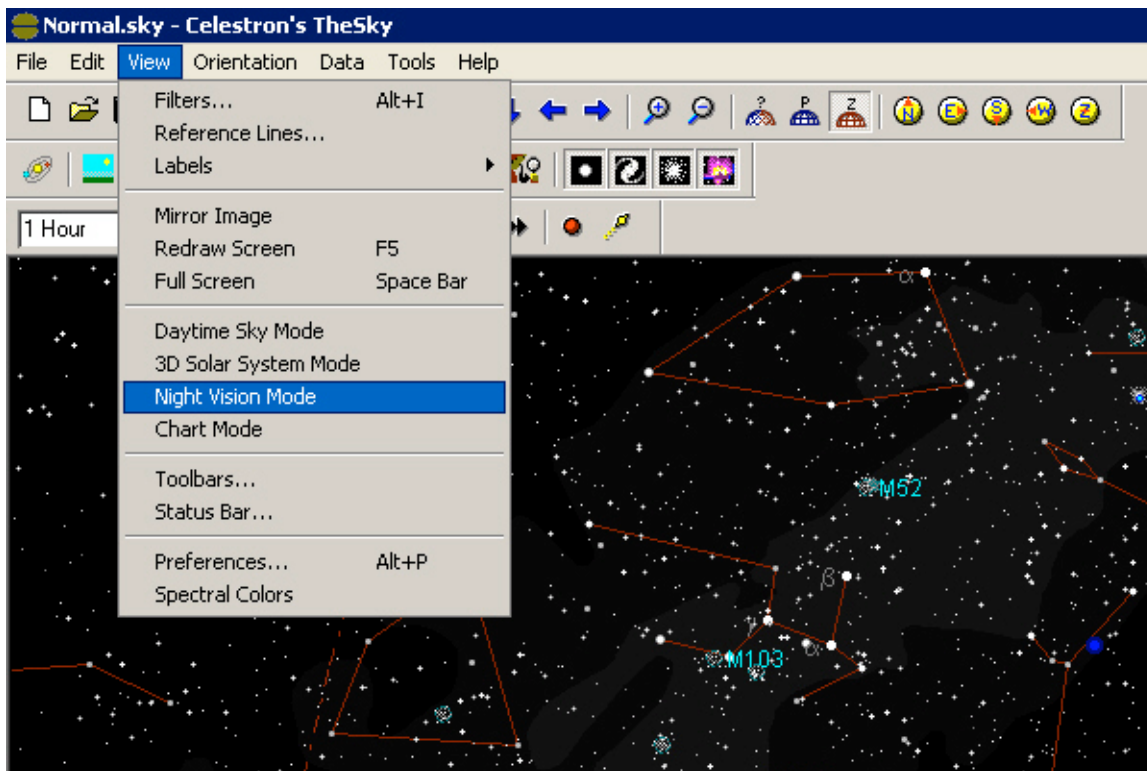


Attenzione! Premendo in qualsiasi momento su un oggetto celeste con il tasto sinistro del mouse si aprirà automaticamente la finestra "OBJECT INFORMATION".

Attraverso il tasto destro del mouse, sarà invece possibile utilizzare innumerevoli funzioni quali lo zoom, le preferenze, le esclusioni, ecc. ecc.

4) Visione notturna

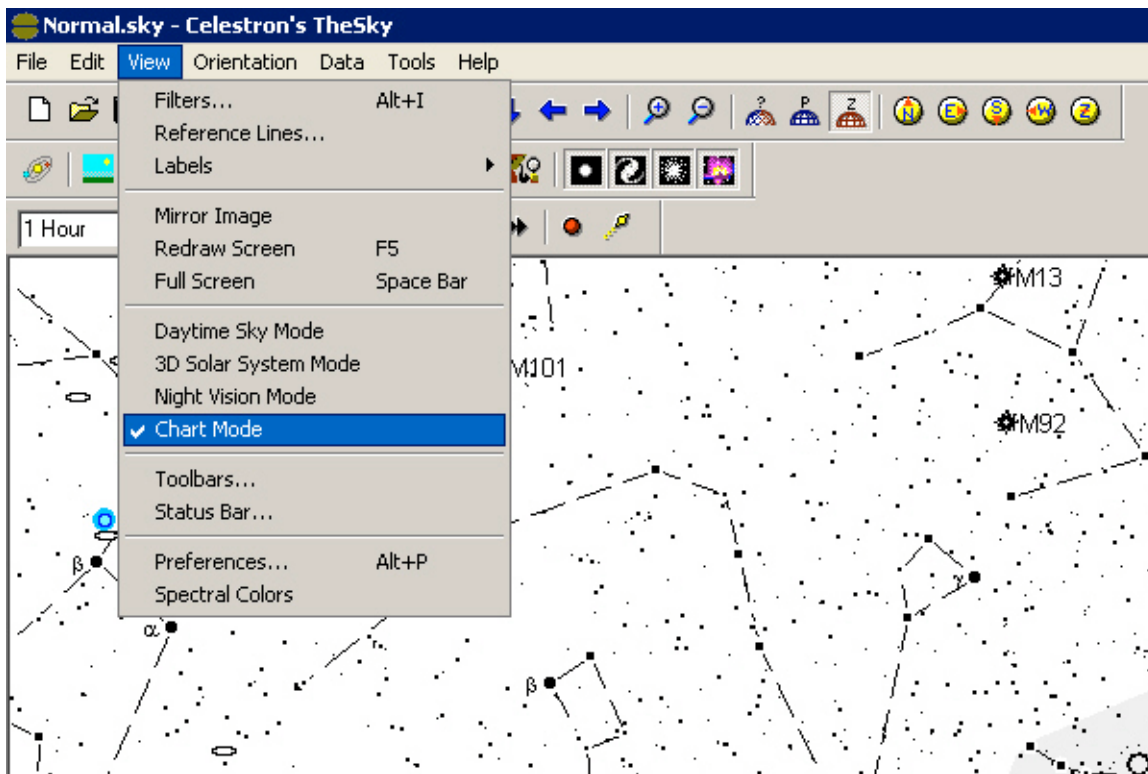
Nel corso del manuale, avete appreso che la luce rossa non compromette la dilatazione pupillare. Premendo sul pulsante "VIEW" scegliendo "NIGHT VISION MODE" tutti i pannelli di controllo del comando si coloreranno rapidamente di una vantaggiosa colorazione rossa. Sarà quindi possibile impiegare il software The Sky anche durante le sessioni osservative.



5) Stampare le mappe stellari

Se non possedete un computer portatile, troverete molto utile la funzione “CHART VIEW” che permette di creare delle mappe stellari, stamparle e portarle con voi durante le osservazioni telescopiche.

Per prima cosa dovrete attivare nel menù a tendina, accessibile dopo aver selezionato il tasto “VIEW” la citata impostazione “CHART VIEW” infine, dopo aver generato la zona di cielo a voi più congeniale, vi basterà premere sull’icona raffigurante la stampante situata sotto il menù principale, oppure premere su “FILE” e poi su “PRINT” per avviare la fase di stampa

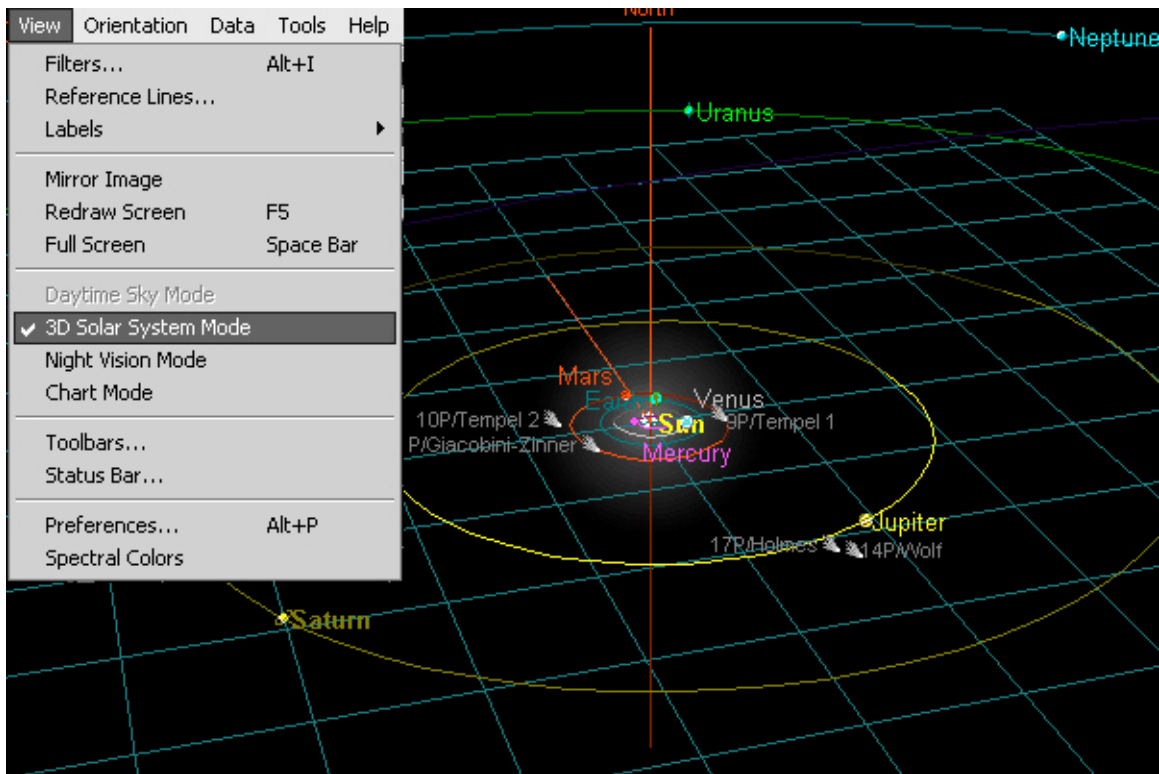


Attenzione! Il metodo più semplice per “navigare” fra le costellazioni è quello di utilizzare i i tasti direzionali. Alla loro destra, come rappresentato nella figura seguente, è anche disponibile una comoda funzione “zoom” che vi permetterà di ingrandire o diminuire a piacere la zona di cielo prestabilita.



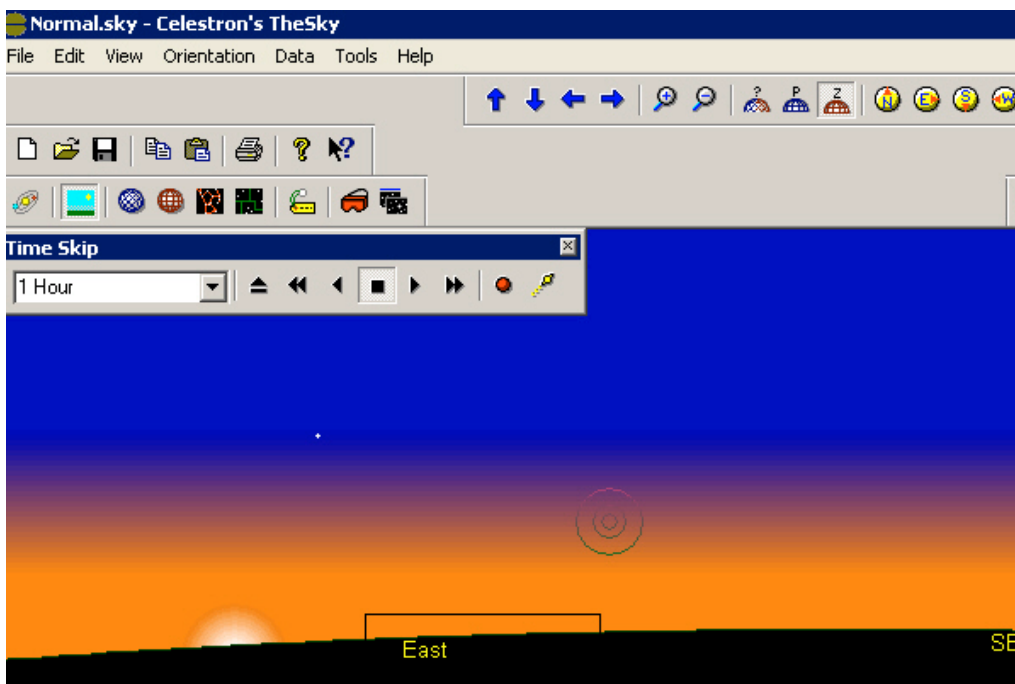
6) Visione tridimensionale del sistema solare

E' possibile premendo su “VIEW “accedere all’opzione “3D SOLAR SYSTEM VIEW”, che consente di osservare in modalità tridimensionale la posizione “in tempo reale” dei pianeti del nostro sistema solare.



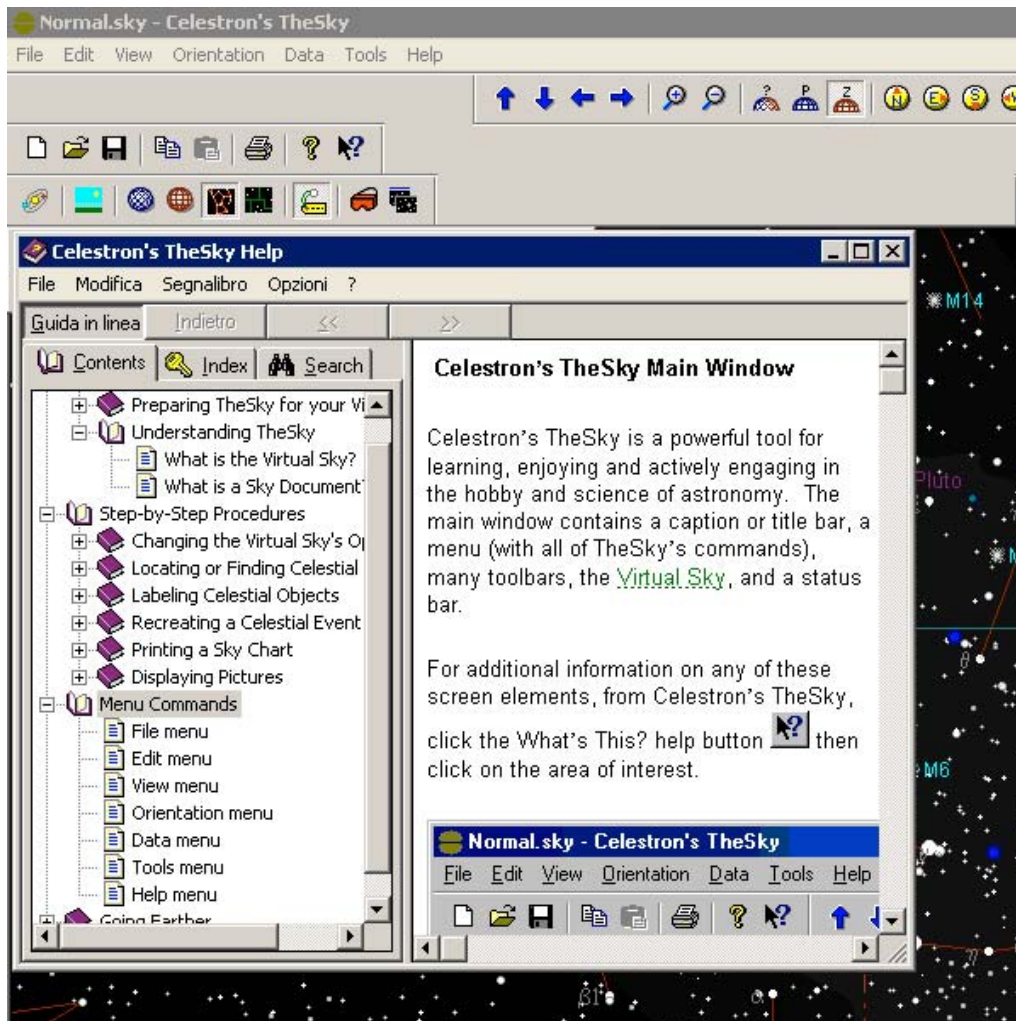
7) Simulazione temporale

Attraverso il comando “Time Skip” il cui menù è posto sotto la zona dei principali comandi, è inoltre possibile simulare la posizione delle Costellazioni, al variare del tempo. Le opzioni di scelta predefinite sono pari ad un secondo, un minuto, un’ora, il tramonto e l’alba. Attraverso dei comuni tasti “play and stop”, sarà possibile avviare la simulazione, fermarla, tornare indietro oppure scorrere velocemente le ore ed i giorni, osservando gli spostamenti stellari in tempo reale.



Potrete studiare le altre innumerevoli funzioni accedendo alla funzione “HELP TOPICS” disponibile dopo aver

selezionato nel menù in alto il pulsante “HELP” . Molto utile anche la funzione “TIP OF THE DAY” che giorno per giorno v’insegnerà come utilizzare al meglio questo affidabile planetario.



Appendice E

Collimazione di Schmidt-Cassegrain (NexStar 5SE)

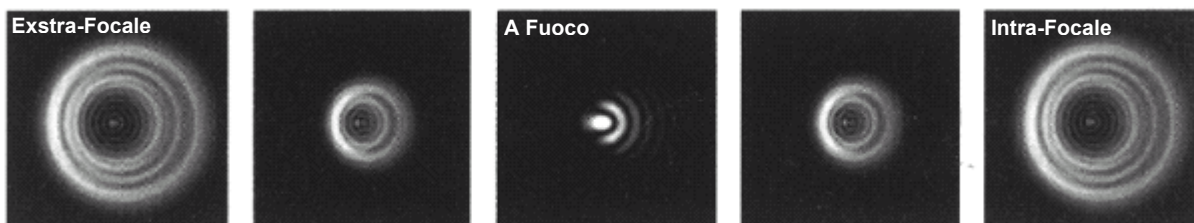
La collimazione è un procedimento che ha lo scopo di allineare gli specchi di un telescopio facendo in modo che essi lavorino tutti assieme in modo ottimale, facendo convergere i raggi luminosi nel fuoco dello strumento. Potrà capitare dopo il trasporto dello strumento di dover ricollimare le ottiche, operazione molto semplice che approfondisce la conoscenza del proprio telescopio.

Fase I (valutazione della scollimazione)

Per determinare se il vostro telescopio è scollimato potete puntare, in una buona notte di Seeing, una stella luminosa dopo aver fatto raggiungere l'equilibrio termico al tubo ed utilizzando almeno 200 ingrandimenti.

Dovreste vedere un dischetto luminoso centrale (disco di Airy) circondato da almeno un anello luminoso (cerchi di diffrazione). Quanto più i cerchi sono concentrici fra loro tanto più sarà ben collimato il telescopio, se l'immagine appare "allungata" lo strumento è scollimato lungo la direzione "dell'allungamento" dell'immagine. Osservando la stella sfuocata prima del punto di fuoco (exstr-focale) e dopo (intra-focale), sarà più facile valutare l'entità della scollimazione.

Esempio di immagini sfuocate in un telescopio poco scollimato :



Fase II (collimazione specchio secondario)

Le ottiche Schmidt-Cassegrain si collimano agendo solo sulle tre viti anteriori, che permettono di far basculare la posizione dello specchio secondario. Consigliamo di allentare le tre viti di circa $\frac{1}{4}$ di giro per iniziare la procedura di collimazione, ad ogni step graduale verificate l'immagine a fuoco della stella.

Verificate la collimazione osservando una stella doppia (dal database NexStar SE) molto stretta circa 1-2" in buone condizioni di cielo.

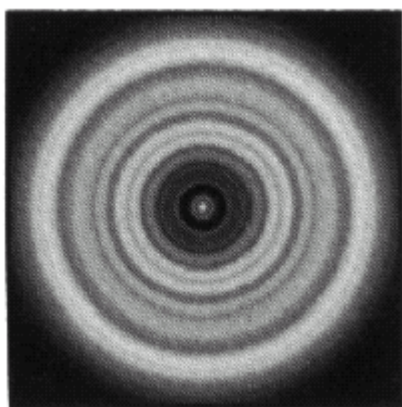
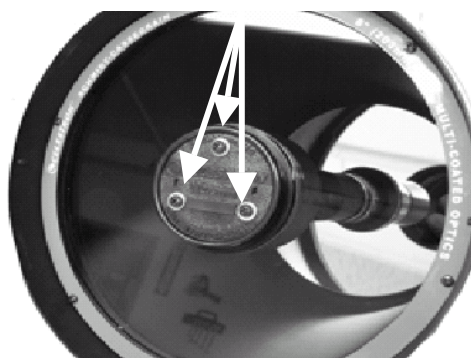


Immagine stellare sfuocata di un ottica collimata





CERTIFICATO DI GARANZIA AURIGA

- 1) L'utente del presente certificato di garanzia è titolare dei diritti previsti dal paragrafo 1-bis del capo I del titolo III del libro IV del codice civile (D.L. n.24 del 2/02/2002)
- 2) La garanzia dei prodotti Auriga ha decorrenza dalla data di acquisto e sarà valida solo se verrà compilato in tutte le parti il presente certificato e allegato lo scontrino o ricevuta fiscale.
- 3) La garanzia copre il prodotto contro difetti di fabbricazione e comprende il costo del materiale sostituito e della manodopera.
- 4) La garanzia non copre eventuali danni provocati al prodotto né difetti o guasti che insorgono a causa di una errata installazione e/o improprio uso.
- 5) LA GARANZIA NON HA VALIDITA' NEI SEGUENTI CASI:
 - Riparazione effettuata da personale non autorizzato da AURIGA.
 - Eventi naturali.
 - Maltrattamento dell'apparecchio e non osservanza delle istruzioni.
 - Incompletezza del certificato di garanzia.
- 6) DURATA DELLA GARANZIA: 24 mesi

CONDIZIONI PER L'ASSISTENZA TECNICA

L'assistenza tecnica viene svolta esclusivamente presso la nostra Sede di Milano.
Tutti i resi dovranno pervenirci previa nostra autorizzazione (da richiedere al Servizio Clienti) in porto franco e con regolare documento di trasporto.
E' necessario unire alla spedizione il certificato di garanzia e descrivere dettagliatamente il difetto riscontrato. Per prodotti sprovvisti di garanzia debitamente compilata e di scontrino fiscale le spese di riparazione e spedizione sono sempre a carico del cliente.

MARCA:	AURIGA
Modello:	CELESTRON NexStar SE
Data di acquisto

SPAZIO PER ALLEGARE SCONTRINO O RICEVUTA FISCALE



NEXSTAR 5^{SE}
Manual de instrucciones

Índice

INTRODUCCIÓN	3
Atención	3
ENSAMBLAJE	5
Ensamblaje del NexStar	5
Alimentación del NexStar	5
Unidad de control	5
Prisma cenital	5
Ocular	6
Buscador con puntero luminoso	6
Instalación del buscador	6
Utilización del buscador	7
Desmontaje del tubo óptico	7
Acoplamiento del NexStar al trípode	7
UNIDAD DE CONTROL	9
Manejo de la Unidad de Control	9
Procedimientos de alineación	10
SkyAlign	10
Alineación automática con dos estrellas	12
Alineación con dos estrellas	12
Alineación con una estrella	13
Alineación con objetos del sistema solar	13
Alineación EQ Norte/EQ Sur	14
Mejora de la precisión de apuntado	15
Estrellas de alineación	15
Sync	15
Undo Sync	15
Catálogo de objetos	15
Selección de objetos	15
Girar hacia un objeto	16
Localización de planetas	16
Modo Tour	16
Tour de constelaciones	16
Teclas de dirección	17
Tecla de velocidad	17
Procedimientos de configuración	17
Modo de seguimiento	17
Velocidad de seguimiento	17
Consultar la hora del lugar	18
Objetos definidos por el usuario	18
Cámara	18
Mostrar AR/DEC	19
Dirigirse a AR/DEC	19
Identificación	19
GoTo de precisión	20
Características de configuración del telescopio	20
Configuración de hora y lugar	20
Anti-holgura	20
Límites de giro	20
Límites de filtrado	21
Teclas de dirección	21
Dirección de aproximación	21
Rango de autoguiado	21
Enrollado de cable	21
Funciones de utilidades	21
GPS On/Off	21
Control de intensidad de la pantalla	21
Configuración de fábrica	21
Versión	21
Posición de los ejes	21
Dirigirse a la posición de los ejes	22
Hibernación	22
Menú Sol	22
Menú Recorrido	22
Calibración GoTo	22

Establecer la posición de la montura.....	22
Diagrama de funciones de la unidad de control	23
PRINCIPIOS BÁSICOS DEL TELESCOPIO	24
Orientación de la imagen	24
Enfoque	25
Cálculo del aumento	25
Determinación del campo de visión	25
Indicaciones generales sobre la observación	25
PRINCIPIOS BÁSICOS DE ASTRONOMÍA	27
El sistema de coordenadas celestes	27
Movimiento de las estrellas	27
Alineación polar	28
Alineación polar con montura ecuatorial opcional	28
Wedge Align	29
Localización del polo	29
OBSERVACIÓN CELESTE	31
Observación de la Luna	31
Sugerencias para la observación lunar	31
Observación de los planetas	31
Sugerencias para la observación planetaria	31
Observación del Sol	31
Sugerencias para la observación solar	31
Observación de objetos de cielo profundo	32
Condiciones "Seeing"	32
Transparencia	32
Iluminación del cielo	32
"Seeing"	32
FOTOGRAFÍA CELESTE	33
Fotografía a foco primario de corta exposición	33
Fotografía de proyección con ocular	34
Fotografía a foco primario de larga exposición	35
Fotografía terrestre	36
Medición de la luz	36
Reducción de las vibraciones	36
MANTENIMIENTO DEL TELESCOPIO	37
Limpieza y cuidados de las ópticas	37
Colimación.....	37

Introducción

¡Felicidades por la compra del telescopio Celestron NexStar! Los telescopios de la serie NexStar SE son instrumentos científicos que permiten disfrutar de la visión de numerosos objetos en el cielo – planetas, nebulosas, cúmulos estelares, galaxias y muchos otros.

Equipados con motores de alta velocidad y una unidad de control, los telescopios NexStar SE permiten mover remotamente el instrumento hacia los objetos deseados con total rapidez y precisión. Tan sólo pulsando una tecla es posible desplazar el telescopio a lo largo del cielo en cuestión de segundos y seguir cualquier objeto a medida que la Tierra gira bajo ellos. Los telescopios de la serie NexStar SE pueden actualizarse en cualquier momento e incorporan una unidad de control con una base de datos de más de 40.000 objetos (vea la sección Unidad de Control Computerizada en este manual) para un uso totalmente automatizado.

Estas son algunas de las características estándar incluidas con el telescopio:

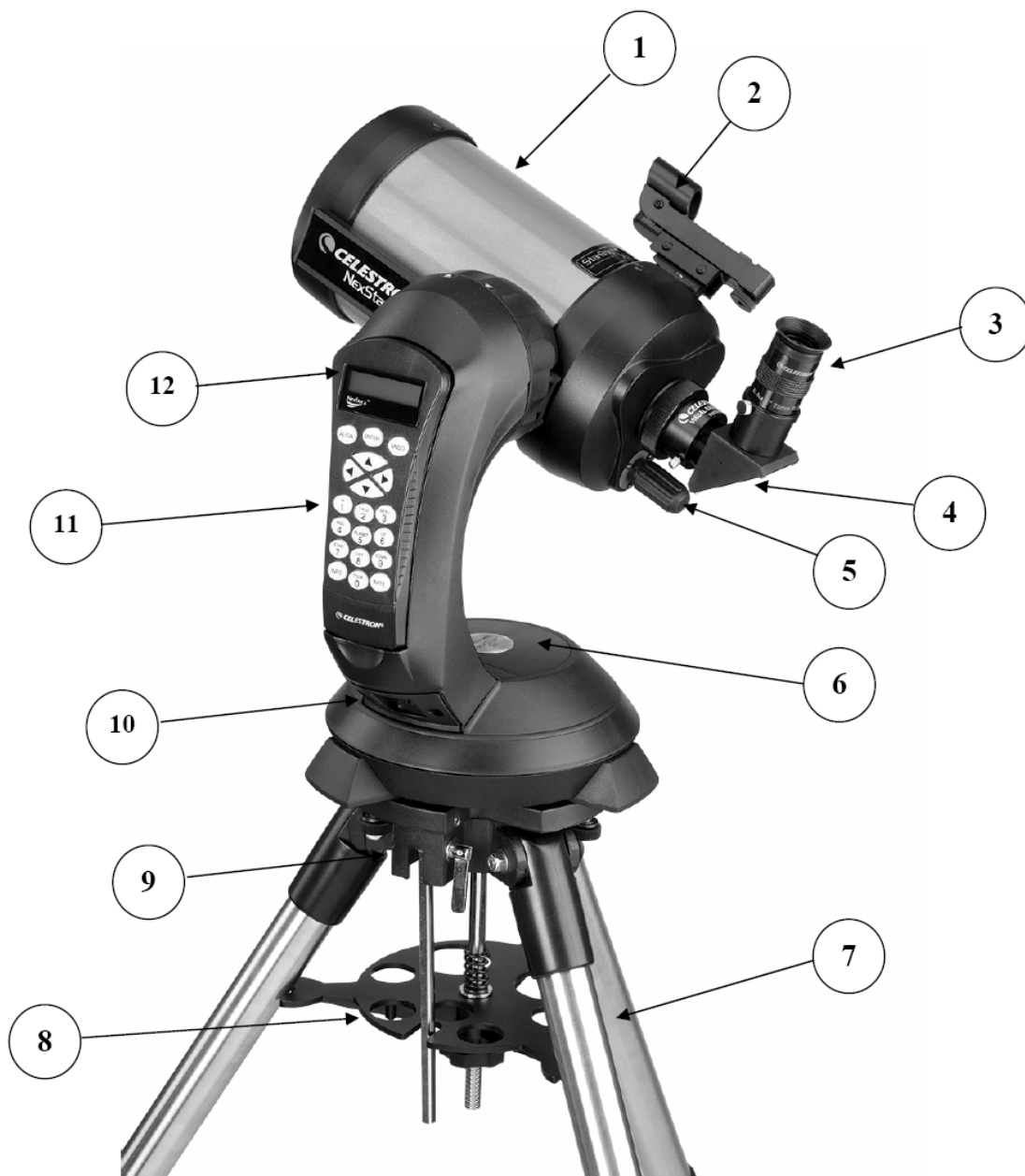
- Rápida velocidad de movimiento de 5°/segundo.
- Motores totalmente integrados en ambos ejes.
- Mando de control de diseño ergonómico acoplado en uno de los brazos de la horquilla.
- Memoria para almacenamiento de objetos determinados por el observador.

Las especiales características de la serie NexStar SE, se combinan con el legendario sistema óptico Schmidt-Cassegrain de Celestron para proporcionar al astrónomo aficionado el telescopio más versátil y al mismo tiempo sencillo de utilizar disponible en el mercado actual.

Estos telescopios han sido diseñados para proporcionarle años de gratificantes observaciones. Sin embargo, hay algunos aspectos a tener en cuenta antes de utilizar el telescopio que asegurarán la protección del instrumento y la integridad del usuario.

Atención

- NUNCA OBSERVE DIRECTAMENTE EL SOL A SIMPLE VISTA O CON UN TELESCOPIO (SALVO QUE ACOPLA UN FILTRO SOLAR ADECUADO EN LA PARTE FRONTAL) YA QUE PODRÍA CAUSAR UN DAÑO PERMANENTE E IRREPARABLE A SU VISIÓN.
- NUNCA UTILICE EL TELESCOPIO PARA PROYECTAR UNA IMAGEN DEL SOL SOBRE CUALQUIER SUPERFICIE PUES EL CALOR GENERADO EN EL INTERIOR DEL TUBO PODRÍA DAÑAR AL INSTRUMENTO O A LOS ACCESORIOS ACOPLADOS.
- NUNCA UTILICE UN FILTRO SOLAR PARA OCULAR O PRISMA DE HERSCHEL PUES EL CALOR ALMACENADO PODRÍA ROMPER LOS VIDRIOS, PERMITIENDO EL PASO DE LUZ SOLAR NO FILTRADA DIRECTAMENTE A LOS OJOS.
- NUNCA DEJE DESATENDIDO EL TELESCOPIO, TANTO SI HAY NIÑOS ALREDEDOR COMO ADULTOS SIN EXPERIENCIA EN EL MANEJO DE UN TELESCOPIO.
- NUNCA DIRIJA EL TELESCOPIO HACIA EL SOL SIN ACOPLAR UN FILTRO SOLAR ADECUADO. RECUERDE, ASIMISMO, TAPAR EL BUSCADOR. AUNQUE PEQUEÑO EN APERTURA, ESTE ACCESORIO TIENE SUFICIENTE PODER DE CAPTACIÓN DE LUZ COMO PARA CAUSAR UN DAÑO PERMANENTE E IRREVERSIBLE EN SU VISIÓN. ADEMÁS, LA IMAGEN PRODUCIDA POR EL BUSCADOR ES SUFICIENTEMENTE CALIENTE COMO PARA QUEMAR LA PIEL O ROPA.



NexStar 5 SE

1 Tubo óptico	7 Trípode
2 Buscador con puntero luminoso	8 Bandeja para accesorios/Refuerzo de patas
3 Ocular	9 Placa de inclinación ecuatorial
4 Prisma cenital	10 Interruptor ON/OFF
5 Mando de enfoque	11 Unidad de control
6 Compartimiento para las pilas	12 Pantalla de cristal líquido

Ensamblaje

El NexStar viene completamente preensamblado y puede ser utilizado en cuestión de minutos. El telescopio y sus accesorios están embalados convenientemente en una caja de cartón. El NexStar incluye los siguientes accesorios:

- Ocular 25mm - 31,8mm Ø
- Prisma cenital - 31,8mm Ø
- Buscador con puntero luminoso y abrazadera
- Trípode metálico de altura regulable
- Programa de astronomía TheSky™
- Programa NexRemote para el control del telescopio mediante ordenador
- Cable RS-232
- Unidad de control computerizada con una base de datos con más de 40.000 objetos

Ensamblaje del NexStar

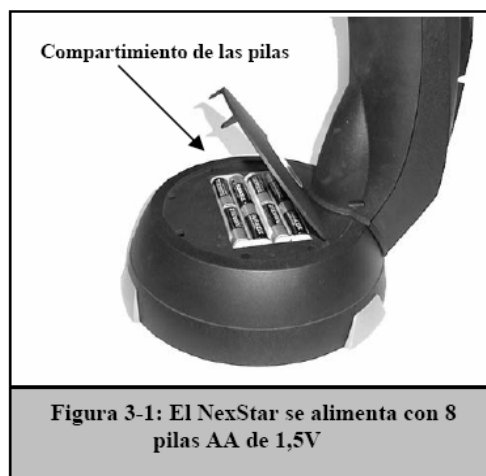
Empiece por sacar el telescopio y el trípode de sus cajas de embalaje y deposite la base redonda del telescopio sobre una superficie plana y robusta. Saque todos los accesorios de sus envoltorios correspondientes. No olvide guardar las cajas ya que podría necesitarlas en el caso de trasladar el instrumento a otra localidad.

Alimentación del NexStar

El NexStar puede alimentarse con pilas AA de 1,5V (no incluidas), un cable con adaptador a encendedor de coche o un transformador de 12V AC opcionales. El compartimiento para las pilas se encuentra en el centro de la base del telescopio (ver figura 3-1)

Para alimentar el NexStar con pilas:

1. Quite la tapa que cubre el compartimiento haciendo palanca ligeramente sobre la rebaba circular.
2. Inserte las pilas en el compartimiento correspondiente.
3. Vuelva a colocar la tapa presionando con suavidad hacia abajo.
4. Encienda el instrumento pulsando a "On" el interruptor situado en la parte inferior del brazo de la horquilla.



Unidad de control

La unidad de control se halla situada en el lateral exterior del brazo de la horquilla y puede emplearse extrayéndola del brazo o manteniéndola en el mismo. La unidad de control descansa sobre dos pivotes y un enganche colocados en el soporte del brazo de la horquilla. Para extraer el mando empuje suavemente hacia arriba y tire de él. Para volver a colocarlo, empuje hacia el interior y baje el mando hasta que quede asentado en sus soportes.

Una vez conectado el telescopio, utilice los mandos de movimiento del mando para colocar el tubo en posición horizontal y así facilitar la colocación de los accesorios y la extracción de la tapa frontal.

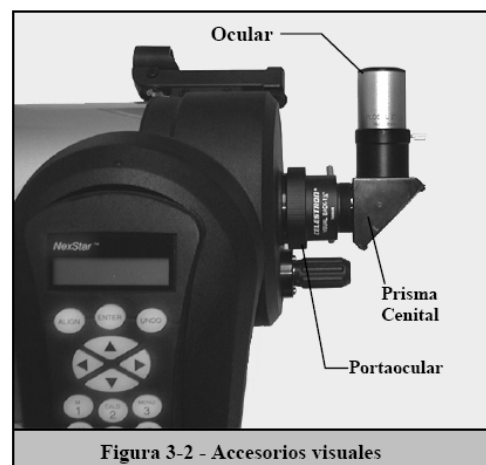
Nota: En caso de una pérdida de alimentación, el tubo óptico puede moverse manualmente. Sin embargo, cuando haya corriente, el telescopio debe ser siempre controlado con la unidad de control.

Prisma cenital

El prisma cenital desvía la luz en un ángulo recto con respecto al eje óptico del telescopio. Este accesorio permite realizar observaciones descansadas en posiciones que son físicamente incómodas. Para acoplar este prisma:

1. Afloje el tornillo(s) lateral del porta-ocular hasta dejar espacio suficiente para introducir el prisma cenital.
2. Deslice el prisma en el porta-ocular.
3. Apriete el tornillo(s) de sujeción del porta-ocular.

Para cambiar la orientación del prisma, afloje el tornillo de sujeción del porta ocular y gire aquél hasta la posición deseada. A continuación, apriete el tornillo de sujeción.



El ocular

El ocular es un elemento óptico que aumenta la imagen enfocada con el telescopio. El ocular se adapta directamente tanto en el porta-ocular como en un prisma cenital o inversor. Para acoplar el ocular:

1. Afloje el tornillo(s) de sujeción del prisma cenital hasta dejar espacio suficiente para el ocular.
2. Deslice el ocular en el prisma.
3. Apriete el tornillo(s) de sujeción del prisma.

Para quitar o sustituir el ocular, afloje el tornillo de sujeción del prisma y extraiga el ocular.

Los oculares vienen determinados generalmente por su distancia focal y diámetro. La distancia focal de cada ocular está impresa en el cuerpo del mismo. Cuanto mayor sea el valor de la distancia focal menor aumento conseguiremos, y por contra, cuanto menor sea la distancia focal mayor será el aumento. Normalmente, durante la mayoría de observaciones se emplearán aumentos bajos a medios. Consulte la sección "Cálculo del aumento" para obtener más información sobre cómo determinar la potencia del instrumento.

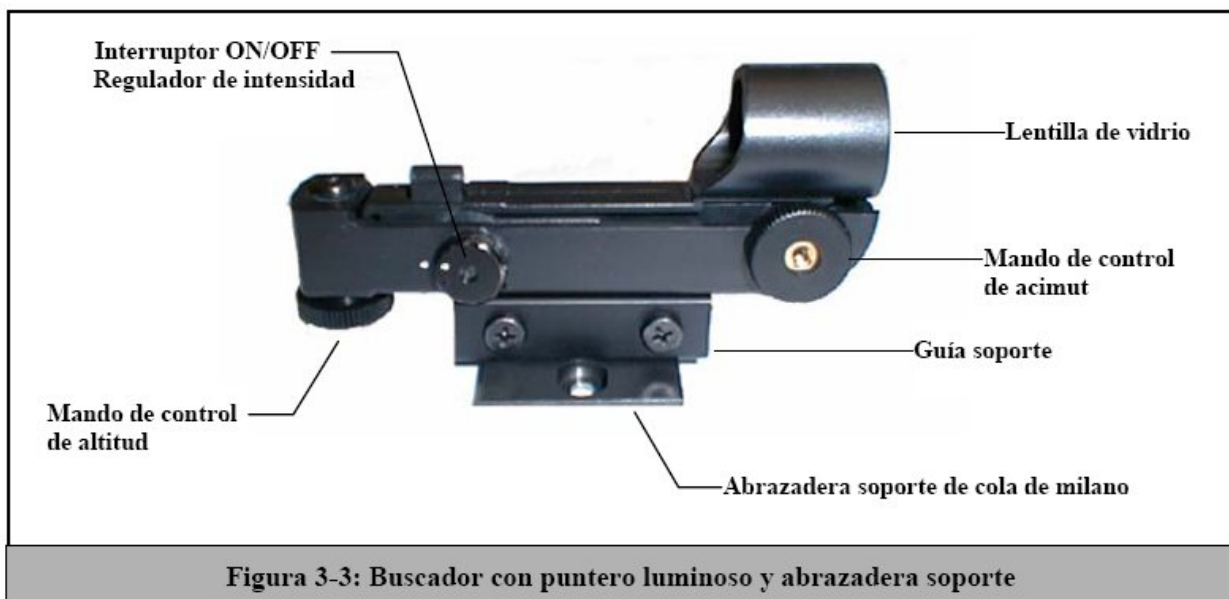
El diámetro del ocular es la porción del mismo que se desliza en el interior del prisma o porta-ocular. El NexStar SE emplea oculares con un diámetro de 31,8mm.

El buscador con puntero luminoso

El buscador con puntero luminoso es el medio más rápido y sencillo para apuntar el telescopio exactamente al objeto deseado en el cielo. Es como disponer de un puntero láser que podemos iluminar directamente en el cielo nocturno. El buscador con puntero es una herramienta de dirección con aumento cero que utiliza una lentilla de cristal tratado para superponer la imagen de un punto rojo sobre la imagen del cielo nocturno. Mientras observa con los dos ojos abiertos a través del buscador, mueva el telescopio hasta que el punto rojo se fusione con el objeto tal como se ve a simple vista. El punto rojo está producido por un diodo emisor de luz (LED); no es un rayo láser y por ello no puede dañar la lentilla de vidrio ni el propio ojo. El buscador con puntero viene equipado con un mando de regulación de intensidad, dos mandos para el ajuste de los ejes y dos zapatas con cola de milano (una para los NexStar y otra para poder acoplar el buscador con puntero en otros telescopios). Antes de estar en disposición de uso, el buscador debe acoplarse al tubo del telescopio y alinearse adecuadamente.

Instalación del buscador con puntero luminoso

1. En primer lugar, desenrosque los dos tornillos 8-32 x ¼" situados en la parte superior del soporte del espejo primario.
2. Coja la zapata con la curvatura apropiada para el tubo del NexStar y oriente los dos orificios de la misma con los del soporte del espejo primario.
3. Enrosque los dos tornillos 8-32 x ¼" que extrajo previamente para fijar la abrazadera al tubo del telescopio.
4. Una vez acoplada la abrazadera, deslice el cuerpo del buscador en ella. Posiblemente tenga que aflojar ligeramente los dos tornillos del lateral del cuerpo del buscador para facilitar el montaje. Obviamente, la parte con la ventana de vidrio del buscador deberá apuntar hacia la parte frontal del telescopio.
5. Apriete los tornillos laterales del cuerpo del buscador para fijar éste en su sitio.



Utilización del buscador con puntero luminoso

El buscador con puntero se alimenta con una pila de litio (#CR2032) de larga duración de 3 voltios situada debajo de la parte frontal del buscador. Al igual que todos los buscadores, el buscador con puntero debe alinearse correctamente con el tubo principal del telescopio antes de su utilización. Este es un simple proceso que emplea los mandos de ajuste situados en el lateral y debajo del cuerpo del buscador. El proceso de alineación es preferible realizarlo durante la noche ya que el LED rojo resulta difícilmente apreciable durante el día.

1. Para conectar el buscador, gire el dial de regulación de intensidad (figura 3-3) en el sentido de las agujas del reloj hasta oír un "clic". Para incrementar el nivel de intensidad del punto rojo, continúe girando el dial hasta el final. *No olvide retirar el protector de plástico de la pila.*
2. Localice una estrella brillante o un planeta y céntrelo en el campo de visión del telescopio principal con un ocular de bajo aumento.
3. Con ambos ojos abiertos, observe a través del buscador la estrella guía.
4. Si el buscador está alineado correctamente, verá el LED rojo superpuesto sobre la estrella de alineación. En caso contrario, compruebe la posición del punto rojo con relación a la misma.
5. Sin mover el tubo del telescopio, accione los mandos de ajuste de acimut y altitud del buscador hasta que el punto rojo descansa exactamente sobre la estrella guía.

Si el LED es más brillante que la estrella de alineación, es posible que resulte difícil ver la estrella. En este caso, disminuya la intensidad del punto rojo girando el dial de regulación de intensidad en sentido contrario a las agujas del reloj hasta obtener una intensidad similar a la de la estrella. De esta manera, será más fácil conseguir una alineación precisa. A partir de este momento el buscador con puntero estará listo para ser utilizado. **Recuerde apagar el buscador una vez localizado un objeto. Con ello aumentará la duración tanto de la pila como del LED.**

Desmontaje del tubo óptico

La abrazadera de cola de milano de liberación rápida de los NexStar SE permite ajustar la posición del tubo para obtener un equilibrio adecuado o desmontar el tubo para guardarlo con seguridad. Para ajustar la posición o desmontar el tubo del soporte, afloje simplemente el mando de liberación (vea la figura 3-4) y deslice el tubo a lo largo de su soporte.



Figura 3-4

Acoplamiento del NexStar al trípode

El trípode Celestron para el NexStar es un soporte robusto y compacto que aguanta perfectamente el conjunto de horquilla y tubo del telescopio. Gracias a su diseño, puede ser transportado a cualquier lugar de observación. El trípode viene totalmente preensamblado y tan sólo necesita adaptar, en su posición, la bandeja para accesorios.

Para preparar el trípode:

1. Coloque el trípode con las puntas de las patas apuntando al suelo.
2. Separe al máximo las patas.
3. Coloque la bandeja para accesorios en la varilla vertical de manera que los extremos de la misma presionen contra las patas. Previamente desenrosque el mando de tensión situado en la varilla vertical.
4. Coloque el mando de tensión en la varilla y enrósquelo hasta que la bandeja quede bien asegurada contra las patas del trípode.
5. En este momento el trípode se mantendrá por sí solo.

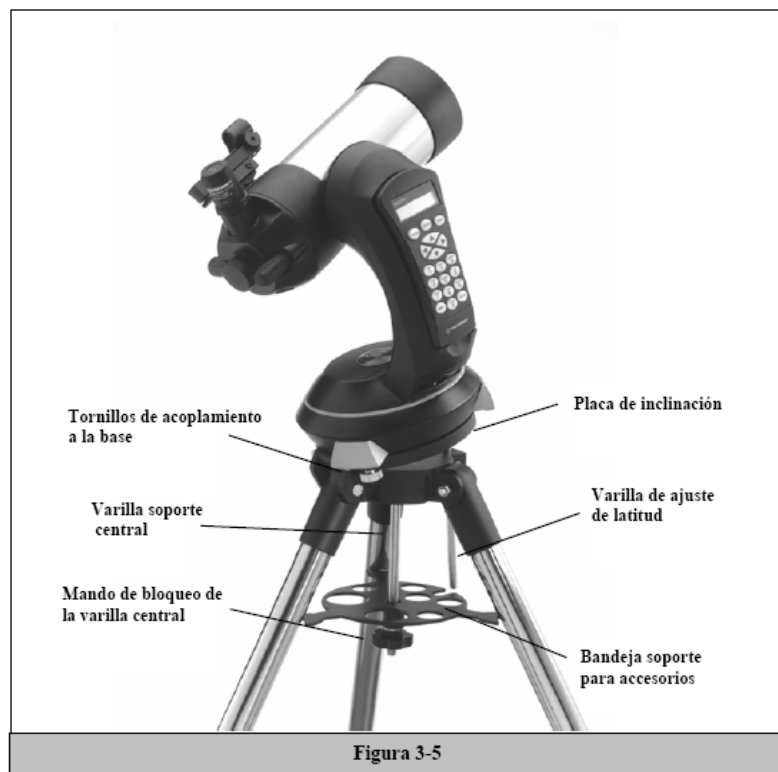


Figura 3-5

Las patas del trípode pueden ajustarse en altura. Para realizar dicho ajuste:

1. Localice el mando de fijación situado en la parte inferior de cada pata.
2. Afloje el mando hasta que la parte interior de las patas se deslice hacia fuera.
3. Extienda la parte interna de cada pata hasta la altura deseada.
4. Apriete los mandos de fijación para sostener las patas.

Proceda, a continuación, a montar el telescopio sobre el trípode. Para ello:

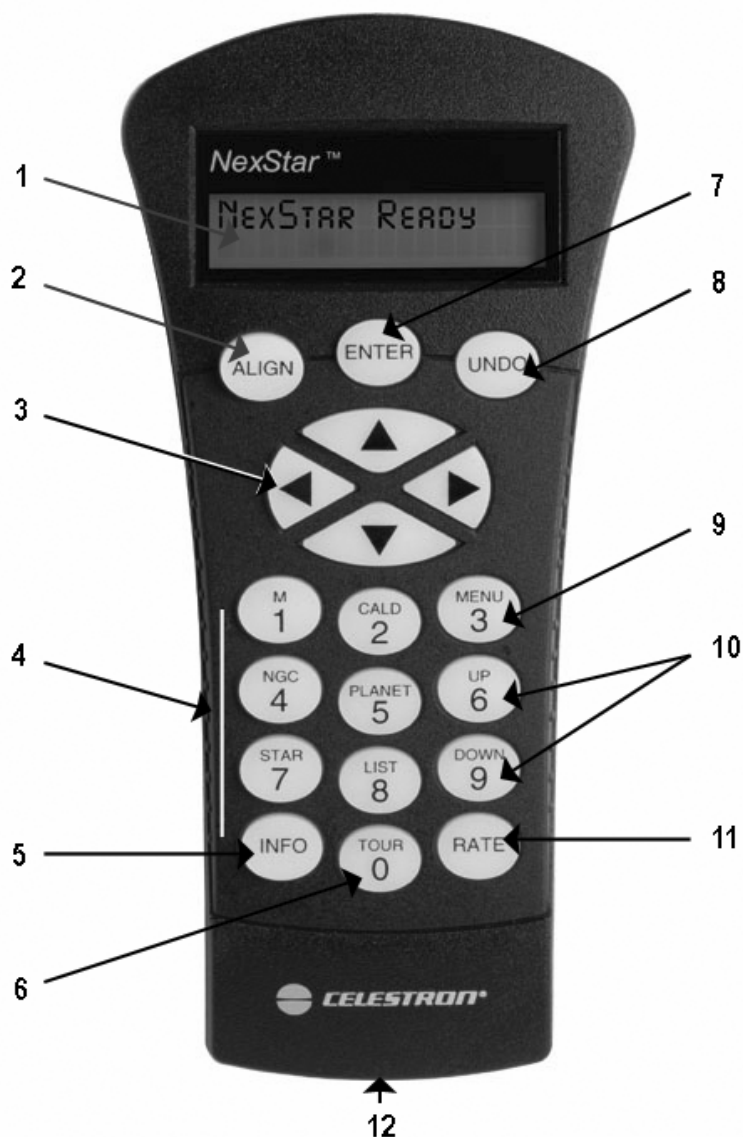
1. Coloque el telescopio sobre el trípode haciendo coincidir el pivote central del trípode con el espacio central de la base del telescopio.
2. Gire el telescopio hasta que coincidan los orificios de anclaje de la base del telescopio con los del trípode.
3. Inserte los tres tornillos de sujeción desde la parte inferior del trípode en los orificios de la base del telescopio.

Ahora el NexStar SE estará firmemente asentado sobre el trípode.

Unidad de control

La unidad de control del NexStar GT está diseñada para acceder inmediatamente a todas las funciones disponibles en el telescopio. Con su base de datos de más de 4000 objetos y sus menús de fácil interpretación, cualquier aficionado a la Astronomía se habituará rápidamente al uso de este instrumento en unas pocas sesiones de observación. A continuación, se detallan brevemente las especificaciones de los componentes individuales de la unidad de control del NexStar:

1. **Pantalla de visualización de cristal líquido (LCD):** Esta pantalla de visualización dispone de una doble línea de 16 caracteres con iluminación de fondo para la lectura confortable de la información del telescopio y del texto móvil.
2. **Align (Alineación):** Instruye al NexStar sobre como utilizar una estrella o un objeto seleccionado como posición de alineación.
3. **Teclas de dirección:** Permiten el control completo del NexStar en cualquier dirección. Utilice las teclas de dirección para desplazar el telescopio hasta las estrellas de alineación iniciales o para centrar objetos en el ocular.



Unidad de Control del NexStar GT

4. **Teclas de catálogos:** El NexStar tiene teclas en la unidad de control que permiten el acceso directo a cada uno de los catálogos de su base de datos de más de 4.000 objetos. La base de datos contiene los siguientes catálogos:

Messier - Lista completa con todos los objetos Messier.

NGC - Lista completa de los objetos de cielo profundo del Nuevo Catálogo General Revisado.

Caldwell - Una combinación de los mejores objetos NGC e IC.

Planetas - Los 8 planetas de nuestro Sistema Solar, y además la Luna y el Sol.

Estrellas - Una lista compilada de las estrellas más brillantes del catálogo SAO.

List - Para un rápido acceso, los mejores y más populares objetos en la base de datos del NexStar han sido divididos en listas basadas en su tipo y/o nombre común:

Estrellas por nombre	Lista con los nombres comunes de las estrellas más brillantes del cielo.
Objetos por nombre	Lista alfabética con más de 50 objetos populares del cielo profundo.
Estrellas dobles	Lista alfabética con la mayoría de las magníficas estrellas dobles, triples y cuádruples en el cielo.
Estrellas variables	Lista selecta de las estrellas variables más brillantes con el periodo de cambio de magnitud más corto.
Asterismos	Lista específica de algunos de los objetos más reconocibles en el cielo.

5. **Info:** Visualiza los datos e información útil sobre objetos seleccionados de la base de datos NexStar.
6. **Tour:** Activa el modo tour, buscando los mejores objetos en un mes determinado y mueve el NexStar automáticamente hacia esos objetos.
7. **Enter:** Pulsando Enter tendrá la oportunidad de seleccionar todas las funciones del NexStar, confirmar los parámetros introducidos y dirigir el telescopio hacia los objetos mostrados.
8. **Undo:** *Undo* le permitirá abandonar el menú actual accediendo al nivel anterior del mismo. Pulse *Undo* repetidamente para volver a un menú principal o para borrar datos introducidos erróneamente.
9. **Menu:** Visualiza las diversas funciones de configuración y utilidades, como por ejemplo la velocidad de seguimiento y los objetos definidos por el usuario, y otras muchas más.
10. **Scroll Keys (teclas de desplazamiento):** Se emplean para moverse dentro de las listas de menús. En la parte derecha de la pantalla LCD aparece un símbolo en forma de doble flecha que nos indica que las teclas de desplazamiento pueden emplearse para obtener información adicional.
11. **Rate:** Cambia la velocidad de los motores de inmediato al pulsar las teclas direccionales.
12. **RS-232 Jack:** Permite el acoplamiento del telescopio a un ordenador para el control remoto del mismo mediante programas adecuados.

Utilización de la unidad de control

Esta sección describe los procedimientos básicos de la unidad de control necesarios para operar el NexStar. Estos procedimientos han sido agrupados en tres categorías: Alineación, Configuración y Utilidades. La sección correspondiente a la Alineación versa sobre la alineación inicial del telescopio y la búsqueda de objetos en el cielo; la sección correspondiente a la configuración habla de cómo cambiar parámetros como, por ejemplo, el tipo y velocidad de seguimiento; finalmente, la última sección resume todas las funciones de utilidades, como, por ejemplo, el ajuste de los límites de movimiento del telescopio y la compensación de la respuesta de los motores.

Proceso de Alineación

Para que el NexStar sea capaz de apuntar de manera precisa a objetos en el cielo, primero debe alinearse en relación a posiciones conocidas (estrellas) en el cielo. Con esta información, el telescopio puede crear un modelo del cielo, que es utilizado para localizar cualquier objeto con coordenadas conocidas. Existen diversas maneras de alinear el NexStar en el cielo que pueden variar en función de la información ofrecida por el usuario: **SkyAlign** aprovecha la fecha actual, la hora y el lugar de observación (ciudad o coordenadas) para crear un modelo exacto del cielo. A continuación, el usuario simplemente deberá apuntar el telescopio hacia tres objetos brillantes para alinear con precisión el telescopio con el cielo. **Auto Two-Star Align** solicitará al usuario que elija y centre una primera estrella de alineación, y seguidamente el NexStar seleccionará y girará automáticamente hacia otra segunda estrella de alineación. **Two-Star Alignment** requiere del usuario que identifique dos estrellas de alineación y que gire manualmente el telescopio hacia ellas. **One-Star Align** funciona igual que la opción Two-Star Align pero tan sólo requiere una única estrella de alineación. Aunque no ofrece una precisión similar a los otros métodos de alineación, One-Star Align es el modo más rápido de localización y seguimiento de planetas brillantes y objetos en funcionamiento altacimutal. Por último, **Solar System Align** mostrará una lista de objetos visibles durante el día (planetas y luna) disponibles para alinear el telescopio. Todos estos procesos de alineación se describen detalladamente a continuación.

Definición: La expresión "Altacimutal" o "Alt-Az" se refiere a un tipo de montura que permite al telescopio moverse tanto en altitud (arriba y abajo) como en acimut (derecha e izquierda) con relación al suelo. Este es el soporte más simple para el acoplamiento de un telescopio a un tripode.

SkyAlign

La opción SkyAlign es el medio más sencillo para alinear el NexStar y disponerlo para observar. Aún en el caso de que usted no conozca el nombre de las estrellas del cielo, el NexStar se alineará, en cuestión de minutos, mediante la solicitud de información básica como la fecha, la hora y la posición. Una vez introducida dicha información, usted tan sólo tendrá que apuntar el telescopio hacia tres objetos brillantes del cielo. Debido a que la opción SkyAlign no requiere el conocimiento del cielo nocturno, no es imprescindible saber el nombre de las estrellas a las cuales apuntamos. Puede seleccionar, si así lo

desea, un planeta o la misma luna, aunque en este caso, al ser el recorrido orbital diferente al de las estrellas, podría inducir a cierto error. Una vez realizada esta operación, el telescopio estará en disposición de localizar y seguir cualquier objeto incluido en la amplia base de datos. Antes de proceder a la alineación del instrumento, éste debe situarse en el exterior con todos sus accesorios acoplados (ocular, prisma y buscador). Obviamente, no olvide quitar la tapa protectora de la lente objetivo frontal del tubo. Para activar la función SkyAlign:

1. Encienda el telescopio pulsando el interruptor de encendido situado en la base de la horquilla.
2. Pulse ENTER para seleccionar la opción *SkyAlign*. Si pulsa la tecla ALIGN, accederá directamente a la opción *SkyAlign*, sin pasar por otras opciones intermedias.
3. La unidad de control solicitará seguidamente la siguiente información:

Location (Lugar) – El NexStar mostrará una lista de ciudades para elegir. Seleccione la ciudad más próxima a su lugar de observación. La ciudad seleccionada permanecerá en la memoria de la unidad de control de manera que aparecerá automáticamente en el momento en el que vuelva a conectar el telescopio para su alineación. Alternativamente, si usted conoce las coordenadas exactas de longitud y latitud del lugar de observación, puede introducirlas directamente en la unidad de control y, del mismo modo, quedarán en memoria para futuras observaciones. Para seleccionar una ciudad:

- Emplee las teclas Up y Down para elegir entre *City Database* (lista de ciudades) o *Custom Site* (coordenadas particulares). *City Database* permite seleccionar la ciudad más próxima al lugar de observación entre una lista de ciudades internacionales y de Estados Unidos. Seleccione *City Database* y pulse ENTER.
- La unidad de control permite elegir ciudades de los Estados Unidos e internacionales. Para escoger cualquier ciudad de los Estados Unidos, pulse ENTER mientras la pantalla muestra el mensaje **United States**. Para seleccionar un país internacional, utilice las teclas Up y Down hasta visualizar el mensaje **International** y pulse ENTER a continuación.
- Emplee las teclas Up y Down para recorrer la lista de países por orden alfabético hasta acceder al suyo propio y pulse ENTER.
- Pulse las teclas Up y Down hasta que aparezca en pantalla la ciudad en cuestión, o en su defecto, la más próxima al lugar de observación y pulse ENTER.

Time (Hora) – Introduzca la hora solar de su país. Puede hacerlo en formato 24 horas (por ejemplo 20:00) o en formato de 12 horas (por ejemplo 8:00).

- Si elige el formato de 12 horas, seleccione PM o AM, después de haber pulsado ENTER.
- Seguidamente, elija entre Standard time (hora estándar) o Daylight Savings (hora de ahorro de energía). Emplee las teclas Up y Down para alternar entre ambas opciones. **NOTA: Sugerimos seleccionar la primera opción (Standard time) ya que en España, exceptuando las Islas Canarias, la hora de ahorro de energía es de 2 horas en verano y tan sólo una en invierno. El programa del NexStar está configurado para aceptar sólo una hora de diferencia.**
- Seleccione la zona horaria del lugar de observación. Para ello, utilice las teclas Up y Down para recorrer la lista con las diferentes opciones. Consulte la zona horaria correspondiente del lugar de observación en el apéndice que encontrará al final de este manual. **NOTA: En el caso de ESPAÑA, seleccione la opción UNIVERSAL TIME.**

Date (Fecha) – Introduzca la fecha en formato Month (mes), Day (día) y Year (año). La pantalla mostrará mm/dd/yy.

- Si ha introducido por error cualquier valor incorrecto, emplee la tecla *UNDO* para anular la entrada y vuelva a introducir el valor adecuado.
 - Cada vez que vuelva a conectar el instrumento, la unidad de control mostrará automáticamente el último lugar de observación introducido (tanto si se trata del nombre de una ciudad como de las coordenadas de longitud/latitud). Pulse *ENTER* para aceptar los parámetros si está de acuerdo con ellos. En caso contrario, pulse *UNDO* e introduzca los nuevos datos correspondientes.
4. Utilice las teclas de flecha de la unidad de control para girar el telescopio hacia cualquier objeto brillante del cielo. Alinee el objeto con el punto rojo del buscador y pulse *ENTER*.
 5. Si el buscador está alineado correctamente con el tubo principal del telescopio, la estrella de alineación debería estar en el campo de visión del ocular del telescopio. A continuación, la unidad de control le pedirá que centre la estrella en el ocular, para ello utilice las teclas de flecha; una vez centrada la estrella en el ocular pulse la tecla *ALIGN*. En este momento, la estrella pasará a ser el primer punto de referencia. (No es necesario ajustar la velocidad de giro de los motores después de cada alineación. El NexStar selecciona automáticamente la velocidad adecuada para la alineación tanto para el buscador como para el ocular).
 6. Como segundo objeto de referencia, elija otra estrella brillante o un planeta los más alejado posible de la primera estrella de alineación. De nuevo, emplee las teclas de flecha para centrar el objeto en el buscador y pulse *ENTER*. Seguidamente, centre el objeto en el ocular del telescopio y pulse *ALIGN*.
 7. Repita el mismo proceso con una tercera estrella de alineación. Una vez finalizado dicho proceso, la pantalla mostrará el mensaje "**Match Confirmed**" (alineación confirmada). Pulse la tecla *UNDO* si quiere conocer los nombres de los tres objetos utilizados para la alineación, o pulse *ENTER* para aceptar dichos objetos sin más. En este momento podrá empezar a localizar su primer objeto.

Consejos para la utilización de la función *SkyAlign*

- Procure que el trípode esté bien nivelado antes de iniciar el proceso. La información exacta de la hora y fecha junto a un buen nivelado del trípode facilitarán la interpretación de los objetos brillantes y planetas disponibles situados por encima del horizonte.
- No olvide escoger objetos de alineación que estén separados entre sí la máxima distancia posible. Para obtener los mejores resultados asegúrese de que el tercer objeto de alineación no esté en línea recta con los otros dos. En caso contrario podría arruinar la alineación.
- No se preocupe si confunde estrellas por planetas al seleccionar los objetos de alineación. La función *SkyAlign* contempla los cuatro planetas más brillantes (Venus, Júpiter, Saturno y Marte) así como la Luna. Además, la unidad de control dispone de más de 80 estrellas de alineación disponibles en su memoria (por debajo de magnitud 2,5).
- Rara vez *SkyAlign* será incapaz de determinar qué estrellas son las utilizadas. Esto puede suceder cuando un planeta brillante o la Luna pasan cerca de otra estrella brillante. En situaciones como esta es preferible seleccionar otro objeto de alineación.
- Asegúrese de centrar los objetos empleando la misma dirección de movimiento que la obtenida con el *GoTo* automático. Por ejemplo, si el telescopio finaliza su movimiento automático hacia arriba y hacia la derecha, debería centrar los tres objetos en el ocular utilizando las teclas de flecha arriba y derecha (sin embargo, tenga en cuenta que las teclas de flecha arriba/abajo invierten su movimiento cuando se emplean velocidades 6 o inferiores). Al realizar el centrado en esas direcciones, se eliminará bastante el efecto de reacción y juego de los engranajes, asegurando además la máxima precisión de alineación.

Auto Two-Star Align (Alineación automática con dos estrellas)

Como sucede con la función *SkyAlign*, la función *Auto Two-Star Align* (alineación automática con dos estrellas) requiere la introducción de información correspondiente a la fecha y hora. Una vez obtenida dicha información, el *NexStar* le pedirá seleccionar y apuntar el telescopio a una estrella conocida. En este momento el *NexStar* dispone de toda la información necesaria para seleccionar automáticamente una segunda estrella de alineación. Una vez seleccionada la estrella, el telescopio girará automáticamente hacia ella para completar el proceso de alineación. Este proceso se realiza de la siguiente manera:

1. Una vez conectado el *NexStar*, pulse *ENTER* para iniciar el proceso de alineación.
2. Utilice las teclas *Up* y *Down* hasta acceder a la pantalla *Auto Two-Star Align* y pulse *ENTER*.
3. La pantalla de la unidad de control mostrará los últimos datos almacenados correspondientes al lugar y hora. Emplee las teclas *Up* y *Down* para revisar esta información. Pulse *ENTER* para aceptar dichos datos si son correctos, o *UNDO* para editarlos manualmente. (Consulte la sección *SkyAlign* para obtener información sobre la introducción de datos).
4. La pantalla le pedirá seleccionar una estrella brillante entre las que aparecen en la lista de la unidad de control. Utilice las teclas *Up* y *Down* (6 y 9 en el teclado) hasta acceder a la estrella deseada y pulse *ENTER*.
5. Emplee las teclas de flecha de la unidad de control para girar el telescopio hacia la estrella seleccionada. Centre la misma en el buscador y pulse *ENTER*. A continuación, centre la estrella en el ocular del telescopio y pulse *ALIGN*.
6. Basándose en esta información, la pantalla mostrará automáticamente la segunda estrella de alineación más adecuada y situada por encima del horizonte. Pulse *ENTER* y el telescopio girará automáticamente hacia esa segunda estrella. Sin embargo, si por alguna circunstancia no desea seleccionar esa segunda estrella (tal vez por que esté situada detrás de un árbol o una casa), puede hacer lo siguiente:
 - Pulse *UNDO* para que la pantalla muestre otra estrella de alineación.
 - Utilice las teclas *Up* y *Down* para acceder manualmente a la estrella deseada entre las contenidas en la lista de la unidad de control.

Una vez finalizado el movimiento, la pantalla le pedirá que utilice las teclas de flecha de la unidad de control para alinear la estrella con el punto rojo del buscador. Una vez centrado el objeto, pulse *ENTER*. La pantalla le solicitará, a continuación, que centre la estrella en el campo de visión del ocular. Para ello, emplee las teclas de flecha y pulse *ALIGN* una vez centrado el objeto. Transcurridos unos segundos la pantalla debería mostrar el mensaje ***Align Success*** (alineación correcta), y usted podrá empezar a localizar objetos.

Two Star Alignment (Alineación con dos estrellas)

Con el método de alineación con dos estrellas, el *NexStar* requiere que el usuario conozca las posiciones de dos estrellas brillantes para alinear el telescopio de manera precisa con el cielo y así poder empezar a buscar objetos. He aquí un resumen del procedimiento de alineación:

1. Una vez encendido el *NexStar*, seleccione la función *Two-Star Align* mediante las teclas *Up* y *Down* (10) de la unidad de control y pulse *ENTER*.
2. Pulse *ENTER* para aceptar la información almacenada correspondiente a la hora y el lugar, o pulse *UNDO* para introducir nueva información.
3. En la fila superior de la pantalla de la unidad de control aparecerá el mensaje **SELECT STAR 1**. Utilice las teclas *Up* y *Down* (10) para seleccionar la estrella que desee utilizar como primera estrella de alineación. Pulse *ENTER*.

4. El NexStar solicitará, a continuación, centrar dicha estrella en el buscador. Emplee las teclas de flecha para girar el telescopio hacia la estrella de alineación y centre la misma en el campo de visión del buscador. Pulse *ENTER* una vez centrada.
5. Ahora, centre la estrella en el campo de visión del ocular del telescopio utilizando, también, las teclas de flecha y pulse *ALIGN*.

Sugerencia: Para centrar con mayor precisión la estrella de alineación en el ocular, puede disminuir la velocidad de giro de los motores. Para ello, pulse la tecla *RATE* (11) de la unidad de control y seguidamente pulse una de las teclas numéricas en función de la velocidad deseada (9 = máxima, 1 = mínima).

6. Seguidamente, el NexStar solicitará seleccionar una segunda estrella de alineación y pulsar la tecla *ALIGN*. Es recomendable seleccionar una estrella distante de la anterior. Aquellas estrellas alejadas entre sí 40° o 60° proporcionan una alineación de mayor precisión que aquellas situadas a menor distancia.

Una vez completada la alineación con la segunda estrella, la pantalla mostrará el mensaje **Alignment Successful** (alineación Correcta) y podrá oír el ruido de los motores al iniciar el seguimiento.

One-Star Align (Alineación con una estrella)

Esta opción requiere que el usuario introduzca toda la información del mismo modo que en el caso anterior. Sin embargo, en lugar de girar hacia dos estrellas de alineación para su centrado y ajuste, el NexStar emplea tan sólo una estrella como modelo. Este método permite girar aproximadamente hacia las coordenadas de objetos brillantes como la Luna y planetas y proporciona al telescopio la información necesaria para seguir objetos en altacimut en cualquier parte del cielo. Sin embargo, este método no es el más adecuado para localizar objetos minúsculos o débiles, ni para la obtención de astrofotografías con seguimiento.

Para aplicar este método:

1. Seleccione la función *One-Star Align* entre las opciones de alineación.
2. Pulse *ENTER* para aceptar la información mostrada en la pantalla correspondiente a la hora y el lugar, o pulse *UNDO* si desea introducir otros datos.
3. En la fila superior de la pantalla de la unidad de control aparecerá el mensaje *SELECT STAR 1*. Utilice las teclas *Up* y *Down* (10) para seleccionar la estrella que desee utilizar como primera estrella de alineación. Pulse *ENTER*.
4. El NexStar solicitará, a continuación, centrar dicha estrella en el buscador. Emplee las teclas de flecha para girar el telescopio hacia la estrella de alineación y centre la misma en el campo de visión del buscador. Pulse *ENTER* una vez centrada.
5. Ahora, centre la estrella en el campo de visión del ocular del telescopio utilizando, también, las teclas de flecha y pulse *ALIGN*.
6. Una vez finalizado el proceso, la pantalla mostrará el mensaje **Align Successful** (alineación correcta).

Nota: Una vez efectuado este proceso, podrá utilizar la función Re-alignment (realineación), que encontrará más adelante, para mejorar la precisión de apuntado del instrumento.

Solar System Align (Alineación con objetos del sistema solar)

Este proceso está diseñado para proporcionar excelentes opciones de seguimiento y GoTo mediante el uso de objetos del sistema solar (Sol, Luna y planetas) para alinear el telescopio. Es un medio ideal para alinear el telescopio para observaciones diurnas así como un modo rápido de alinear el telescopio para observaciones nocturnas.

Nunca observe directamente el Sol a simple vista o con un telescopio sin acoplar un filtro solar adecuado. Su vista podría resultar dañada permanente e irreversiblemente.

1. Seleccione *Solar System Align* entre las opciones de alineación.
2. Pulse *ENTER* para aceptar la información mostrada en la pantalla correspondiente a la hora y el lugar, o pulse *UNDO* si desea introducir otros datos.
3. En la fila superior de la pantalla aparecerá el mensaje *SELECT OBJECT* (seleccionar objeto). Emplee las teclas *Up* y *Down* para acceder al objeto que desee utilizar (planeta, luna o sol). Pulse *ENTER*.
4. El NexStar solicitará, a continuación, centrar dicha estrella en el buscador. Emplee las teclas de flecha para girar el telescopio hacia la estrella de alineación y centre la misma en el campo de visión del buscador. Pulse *ENTER* una vez centrada.
5. Ahora, centre la estrella en el campo de visión del ocular del telescopio utilizando, también, las teclas de flecha y pulse *ALIGN*.

Una vez finalizado el proceso, la pantalla mostrará el mensaje **Align Successful** (alineación correcta).

Consejos para la utilización de la función Solar System Align

Como opción de seguridad, el SOL no aparece, por defecto, en la lista de objetos de la unidad de control. Para activar este objeto hay que acceder al menú Utilities. Para permitir que el SOL aparezca entre los objetos de alineación realice el siguiente proceso:

1. Pulse *UNDO* hasta que la pantalla muestre el mensaje "NexStar SLT" o similar.
2. Pulse la tecla *MENU* y utilice las teclas Up y Down para acceder al menú *Utilities*. Pulse *ENTER*.
3. Con las teclas Up y Down acceda al menú *Sun* y pulse *ENTER*.
4. Pulse *ENTER* de nuevo para aceptar que el Sol aparezca en la pantalla de la unidad de control.

Podrá eliminar el Sol de la pantalla empleando el mismo método.

Para mejorar la precisión de apuntado del telescopio, aplique la función Re-Align que se describe a continuación.

EQ North/EQ South Alignment (Alineación EQ Norte/EQ Sur)

Las opciones de alineación EQ North y EQ South ayudan al usuario a alinear el telescopio cuando se emplea sobre una montura ecuatorial. Similar a los procesos de alineación altacimutal descritos anteriormente, la opción EQ ofrece la elección entre AutoAlign, Two-Star Alignment, One-Star Alignment o Solar System Alignment. Consulte el capítulo "Astronomía Básica", que encontrará más adelante, para obtener información sobre la alineación polar del telescopio.

EQ AutoAlign (Alineación automática EQ)

La opción EQ AutoAlign emplea la misma información concerniente a hora/lugar que en el caso de la alineación altacimutal, sin embargo requiere que el usuario posicione el tubo de manera que los índices de altitud sean coincidentes (ver figura 4-2), y que gire la base del telescopio hasta que el tubo apunte hacia el Meridiano (ver figura 4-3). Basándose en esta información el NexStar girará automáticamente hacia dos estrellas de referencia seleccionadas para su alineación. Para aplicar la opción EQ AutoAlign:

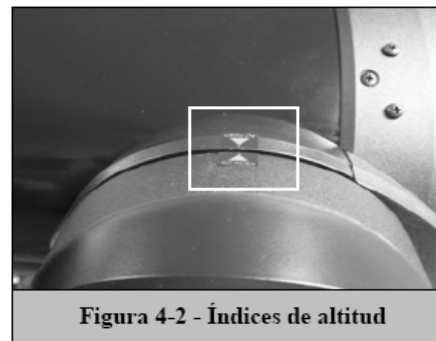


Figura 4-2 - Índices de altitud

1. Seleccione EQ North o South Align entre las opciones disponibles de alineación y pulse *enter*.
2. Pulse *ENTER* para aceptar la información de fecha y hora mostrada, o *UNDO* para introducir manualmente los datos.
3. Seleccione el método EQ AutoAlign y pulse *ENTER*.
4. Cuando la pantalla muestre el mensaje *Set Alt to Index (encarar los índices)*, mueva el telescopio con las teclas de flecha arriba y abajo hasta que los índices del tubo y del brazo de la horquilla estén alineados. Vea la figura 4-2.
5. Cuando la pantalla muestre el mensaje *Find Meridian (Buscar el Meridiano)*, utilice las teclas de flecha izquierda y derecha para girar la base del telescopio hasta que el tubo óptico apunte al meridiano.
6. En función de esta información, el NexStar mostrará automáticamente en la pantalla las estrellas de alineación más adecuadas situadas por encima del horizonte. Pulse *ENTER* para girar automáticamente el telescopio hacia la estrella determinada. Si por alguna razón no desea seleccionar cualquiera de las estrellas recomendadas (posiblemente por encontrarse oculta por un árbol o bloque de pisos), puede hacer lo siguiente:
 - Pulsar *UNDO* para que la pantalla muestre otra estrella de alineación.
 - Utilizar las teclas Up y Down para acceder manualmente a la estrella deseada entre las contenidas en la lista de la unidad de control.
7. El telescopio solicitará centrar el objeto de alineación seleccionado. Utilice las teclas direccionales de flecha para girar el telescopio hacia el objeto de alineación y céntrelo en el buscador. A continuación, pulse *ENTER*.
8. Después, centre el objeto en el ocular del telescopio y pulse *ALIGN*.
9. Una vez haya pulsado *ALIGN*, el telescopio girará automáticamente hacia una segunda estrella de alineación. Repita los pasos 6 y 7 para completar la alineación.

EQ Two-Star Align (Alineación EQ con dos estrellas)

La opción de alineación EQ con dos estrellas sigue la misma pauta que la opción altacimutal. Este método de alineación no requiere la alineación de los índices de altitud ni que apuntemos al meridiano, pero sí necesita que el usuario localice y alinee el telescopio con dos estrellas brillantes. A la hora de seleccionar las estrellas de alineación es aconsejable escoger aquellas que a) que tengan una gran separación en acimut y b) que estén ambas en un mismo sentido de latitud, positiva o negativa. Siguiendo estas recomendaciones obtendremos una alineación EQ con dos estrellas de gran precisión.

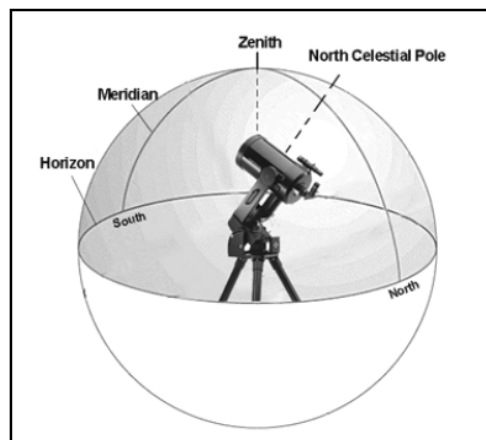


Figura 4-3

El Meridiano es una línea imaginaria en el cielo que parte del polo Norte celeste y llega hasta el polo Sur celeste pasando por el Cénit.

EQ One-Star Align (Alineación EQ con una estrella)

El proceso de alineación es similar a aquel obtenido para la alineación con dos estrellas, con la salvedad que tan sólo precisa una. Para emplear la opción de alineación EQ con una estrellas siga los pasos 1 a 7 del apartado Alineación EQ con dos estrellas.

EQ Solar System Align (Alineación EQ con el sistema solar)

Este método de alineación permite el uso de un único objeto del sistema solar para alinear el telescopio en uso diurno. Para alinear el telescopio mediante este proceso, siga los pasos 1 a 7 de la sección Alineación EQ con dos estrellas.

Mejora de la precisión de apuntado

El NexStar SE dispone de diversas opciones que permiten mejorar la precisión de dirección de la montura.

Estrellas de alineación:

Las estrellas de alineación permiten sustituir cualquiera de las estrellas originales por otro nuevo objeto celeste. Con ello, es posible mejorar la precisión de apuntado del telescopio sin tener que volver a introducir información adicional.

Para sustituir una estrella de alineación por otra nueva:

1. Seleccione la estrella deseada (u objeto) en la base de datos y gire hacia ella.
2. Una vez centrada, pulse *UNDO* repetidamente hasta llegar al menú principal.
3. Cuando la pantalla muestre el mensaje **NexStar SE**, pulse la tecla *ALIGN* en la unidad de control.
4. Utilice las teclas Up/Down y seleccione la opción *Alignment Star*, seguidamente pulse *ENTER*.
5. La pantalla preguntará qué estrella de alineación desea sustituir. Utilice las teclas Up y Down para seleccionar la estrella a sustituir. Generalmente es aconsejable sustituir las estrellas más próximas al nuevo objeto. Con ello mantendrá una distancia razonable entre las estrellas de alineación.
6. Alinee la estrella en el buscador y pulse *ENTER*.
7. Con cuidado, centre el objeto en el campo de visión del ocular y pulse *ALIGN*.

Sync:

La función Sync puede utilizarse para mejorar la precisión de apuntado en una región específica del cielo. Sync es una opción muy útil cuando se emplea conjuntamente con las opciones Constellation Tour e Identify que exploran una zona limitada del cielo. Para aplicar esta opción:

1. Seleccione una determinada estrella (u objeto) de la base de datos y gire hacia ella.
2. Una vez centrada, pulse *UNDO* repetidamente hasta acceder al menú principal.
3. Cuando aparezca el mensaje **NexStar SE** en la pantalla, pulse la tecla *ALIGN*.
4. Utilice las teclas Up/Down para acceder a la opción Sync y pulse *ENTER*.
5. Alinee el objeto Sync en el centro del buscador y pulse *ENTER*.
6. Con cuidado, centre el objeto en el campo de visión del ocular y pulse *ALIGN*.

En este momento, la precisión de direccionamiento del telescopio habrá mejorado en esa zona particular del cielo.

Undo Sync:

Como la opción Sync es aplicable tan sólo en una determinada zona del cielo, habrá que desactivarla cuando vaya a explorar otras áreas más distantes. Realice un Undo Sync para restaurar el direccionamiento del telescopio en su alineación inicial. Adicionalmente, en el caso de intentar añadir otras estrellas de calibración, la unidad le solicitará desactivar la función Sync antes de proceder.

Object Catalog (Catálogo de objetos)

Selecting an object (selección de un objeto)

Ahora que el telescopio ha sido alineado de manera adecuada, usted puede elegir cualquiera de los catálogos disponibles en la base de datos del NexStar. La unidad de control tiene una tecla para cada uno de los catálogos incluidos en la base de datos. Hay dos maneras de seleccionar los objetos de la base de datos; repasar la lista con los objetos indicados con su nombre, o introduciendo el número asignado a los mismos:

- Si pulsa la tecla *LIST* en el mando tendrá acceso a todos los objetos de la base de datos que tienen nombres o tipos comunes. Cada lista está dividida en las siguientes categorías: Estrellas por Nombre, Objeto por Nombre, Estrellas Variables y Asterismos. Seleccionando cualquiera de estas opciones se visualizará un listado alfanumérico de los objetos incluidos en dicha lista. Pulsando los botones de Up y Down (10) usted podrá recorrer el catálogo hasta encontrar el objeto deseado.

- Al pulsar cualquiera de las teclas de catálogos (M, CALD, NGC, o STAR) aparecerá un cursor parpadeando debajo del nombre del catálogo elegido. Utilice las teclas numéricas para introducir el número de cualquier objeto de estos catálogos estandarizados. Por ejemplo, para encontrar la Nebulosa de Orión se debe pulsar la tecla "M" e introducir "042".
- Pulsando la tecla PLANET usted podrá utilizar las teclas UP y DOWN para recorrer las listas y seleccionar los ocho planetas, al igual que la luna.

Cuando tenga que repasar una larga lista de objetos, mantenga pulsada una de las teclas Up o Down y la pantalla visualizará los objetos a una velocidad superior.

Cuando tenga que introducir el número de una estrella SAO, tan sólo necesitará copiar los cuatro primeros dígitos de los seis totales. Una vez introducidos los cuatro dígitos, la unidad de control listará automáticamente todos los objetos disponibles empezando por el correspondiente a dicho número.

Slewing to an object (Cómo girar hacia un objeto)

Una vez que el objeto deseado haya sido visualizado en la pantalla de la unidad de control, usted tiene dos opciones:

- **Pulsar la tecla INFO.** De esta manera obtendrá información útil del objeto seleccionado tal como su magnitud, constelación a la cual pertenece y otros parámetros interesantes.
- **Pulsar la tecla ENTER.** En este caso el telescopio girará automáticamente hacia las coordenadas del objeto. Mientras el telescopio gira hacia el objeto, el usuario todavía puede tener acceso a muchas funciones de la unidad de control (como la visualización de información sobre el objeto.)

Si ha seleccionado un objeto situado por debajo del horizonte, el NexStar notificará esta situación mediante un mensaje en pantalla indicando la selección de un objeto situado fuera de los límites de giro establecidos (consulte el apartado Slew Limits - parámetros Límite de Giro - en la sección Scope Setup – configuración del telescopio). Pulse UNDO para volver atrás y seleccionar un objeto nuevo. Pulse ENTER para ignorar el mensaje y continuar el giro. La unidad de control del NexStar mostrará aquellos objetos situados por debajo del horizonte tan sólo si la función Filter Limits (Filtro de Límites) está configurada por debajo de 0° de altitud. Consulte la función Filter Limits en la sección Utility Feature - Funciones de Utilidades - del presente manual para obtener más información sobre la configuración de los límites de movimiento.

Precaución: Nunca gire el telescopio cuando haya alguien mirando por el ocular. El telescopio puede moverse repentinamente a gran velocidad y golpear al observador.

Para obtener información de los objetos no es necesario realizar una alineación estelar. Basta con pulsar cualquiera de las teclas correspondientes a los diferentes catálogos una vez conectado el telescopio.

Finding Planets (localización de planetas)

El NexStar puede localizar 8 planetas además del Sol y la Luna. Sin embargo, la unidad de control tan sólo mostrará aquellos objetos del sistema solar situados por encima del horizonte (o entre sus límites). Para localizar planetas, pulse la tecla PLANET en la unidad de control. La pantalla mostrará todos los objetos del sistema solar situados por encima del horizonte:

- Emplee las teclas **Up y Down** para seleccionar el planeta que desee observar.
- Pulse la tecla **INFO** para acceder a la información del planeta.
- Pulse **ENTER** para girar hacia el mismo.

Para poder acceder al Sol como opción en la base de datos, consulte el Menú *Sun* en la sección *Utilities* del manual.

Tour Mode (modo Tour)

El NexStar incluye una función "Tour" que permite al usuario elegir automáticamente entre una lista de objetos interesantes en base a la fecha y hora de la observación. El modo Tour se activa pulsando la tecla TOUR en la unidad de control. Una vez activado, solamente tiene que hacer uso de las teclas correspondientes para seleccionar el mes correspondiente y pulsar **ENTER**. El NexStar visualizará un listado con los mejores objetos visibles, en base al mes seleccionado.

- Para obtener información y datos sobre el objeto visualizado, pulse la tecla **INFO**.
- Para girar hacia el objeto visualizado, pulse la tecla **ENTER**.
- Para ver el siguiente objeto, pulse la tecla **Down**.

Constellation Tour (Tour de constelaciones)

Además del modo Tour, el NexStar dispone de una opción *Constellation Tour*, que permite al usuario visualizar los mejores objetos de una constelación en particular. Al seleccionar *Constellation* en el menú *LIST* podrá comprobar todos los nombres de las constelaciones situadas por encima del horizonte definido por el usuario (*filter limits*). Una vez seleccionada una constelación, puede elegir cualquiera de los objetos contenidos en los catálogos de la base de datos para producir una lista de todos los objetos disponibles en esa constelación.

- Para obtener información y datos sobre el objeto visualizado, pulse la tecla *INFO*.
- Para girar hacia el objeto visualizado, pulse la tecla *ENTER*.
- Para ver el siguiente objeto, pulse la tecla *Up*.

Direction Buttons (Teclas de dirección)

El NexStar tiene cuatro teclas de dirección, colocadas en el centro de la unidad de control, que controlan el movimiento del telescopio en altura (hacia arriba y hacia abajo) y acimut (a la izquierda y a la derecha). El telescopio puede operar con nueve velocidades diferentes.

1 = 0,5x	6 = 64x
2 = 1x	7 = 1°/seg
3 = 4x	8 = 3°/seg
4 = 8x	9 = 5°/seg
5 = 16x	
Nueve velocidades disponibles	

Rate Button (Tecla de velocidad)

Pulsando la tecla *RATE* (11) podrá cambiar, de manera instantánea, la velocidad de los motores alternando entre una velocidad rápida de giro y una velocidad más lenta de guiado. Cada parámetro de velocidad está asociado a una tecla de la unidad de control. La tecla número 9 corresponde a la velocidad más rápida (aproximadamente 4° por segundo, en función de la fuente de energía) y se utiliza para girar entre objetos y para buscar estrellas de alineación. La tecla número 1 corresponde a la velocidad más lenta (2 veces la sideral) y se emplea para un centrado preciso de objetos en el ocular. Para cambiar la velocidad de los motores:

- Pulse la tecla *RATE* en la unidad de control. La pantalla LCD mostrará la velocidad actual.
- Pulse la tecla numérica en la unidad de control correspondiente a la velocidad deseada.

La unidad de control tiene una característica de "función doble" que permite acelerar los motores de manera instantánea sin tener que elegir una velocidad. Para utilizar esta función tan sólo hay que pulsar la tecla de flecha que corresponde con la dirección en la cual usted desea desplazar el telescopio. Mientras mantiene pulsada dicha tecla, pulse simultáneamente la tecla opuesta. Con ello incrementará al máximo la velocidad de los motores.

En el rango de velocidades entre 1 y 6 las teclas de dirección arriba y abajo mueven el telescopio en dirección contraria, al revés de lo que sucede en el rango de 7 a 9. Esto es así debido a la diferencia de orientación de la imagen si observamos a través de un ocular acoplado directamente en el telescopio o a través del buscador.

Set Up Procedures (Procedimientos de configuración)

El NexStar contiene muchas funciones de configuración que han sido diseñadas para que el usuario pueda dominar todos los dispositivos avanzados del telescopio. Tanto la configuración como las funciones de utilidades son accesibles mediante la tecla *MENU*, recorriendo seguidamente los diferentes menús que aparecen en la pantalla de la unidad de control:

Tracking Mode (Modo de seguimiento) - Una vez que el NexStar haya sido alineado, los motores de rastreo se activarán automáticamente y comenzarán a buscar por el cielo. Sin embargo, el rastreo puede ser desconectado para uso terrestre:

Alt-Az	Se trata de la velocidad de rastreo por defecto que se utiliza cuando el telescopio ha sido alineado de manera apropiada.
EQ North	Se utiliza para mover el telescopio cuando se encuentra sobre una montura ecuatorial y bien alineado con la Polar en el Hemisferio Norte.
EQ South	Se utiliza para mover el telescopio cuando se encuentra sobre una montura ecuatorial y bien alineado con la estrella del sur en el Hemisferio Sur.
Off	Si utiliza el telescopio para observaciones terrestres, puede desconectar el rastreo de manera que el instrumento no se mueva en absoluto.

Tracking Rate (Velocidad de seguimiento) - Además de ser capaz de desplazar el telescopio con las teclas de la unidad de control, el NexStar puede seguir continuamente un objeto celeste a lo largo del cielo nocturno. La velocidad de seguimiento puede ser alterada en función del tipo de objeto que esté siendo observado:

Sideral	Esta velocidad compensa la rotación de la tierra moviendo el telescopio con la misma velocidad que ésta, pero en dirección opuesta. Al rastrear en el modo Alt-Az, el telescopio realiza correcciones, tanto en altitud como en acimut.
----------------	-----------------------------------------------------------------------------------------------------------------------------------------------------------------------------------------------------------------------------------------

Lunar	Utilizada para el seguimiento de la Luna.
Solar	Utilizada para el seguimiento del Sol con un filtro solar adecuado.

View Time-Site (Comprobar hora y lugar de observación) - Esta función muestra los últimos parámetros de hora y coordenadas de longitud/latitud almacenados en la unidad de control.

User Defined Objects (Objetos definidos por el usuario) - El NexStar puede almacenar hasta 100 objetos diferentes definidos por el usuario en su memoria. Los objetos pueden ser terrestres o cualquier otro celeste interesante que no esté incluido en la base de datos regular. Hay varias maneras para guardar un objeto en la memoria, dependiendo del tipo del mismo:

Save Object Sky (Almacenar un objeto celeste): El NexStar almacena los objetos celestes en su base de datos guardando su ascensión recta y declinación en el cielo. De esta manera se puede encontrar el mismo objeto cada vez que se alinea el telescopio. Una vez que un objeto elegido haya sido centrado en el ocular, acceda simplemente al comando "Save Sky Object" (guardar objeto celeste) y pulse *ENTER*. La unidad de control le pedirá introducir un número entre 1 y 99 para identificar el objeto. Pulse *ENTER* de nuevo para almacenar este objeto en la memoria.

Save Database (Db) Object (Almacenar una base de datos de objetos) – Esta opción permite crear una base de datos particular mediante la grabación de la posición actual del telescopio y el almacenamiento del nombre de los objetos seleccionados entre los catálogos disponibles. Estos objetos serán accesibles al seleccionar la opción "GoTo Sky Object".

Save Land Object (Almacenar un objeto terrestre): El NexStar también puede ser utilizado como un telescopio de búsqueda de objetos terrestres. Objetos terrestres fijos pueden almacenarse guardando su altitud y su acimut con respecto a la posición del telescopio en el momento de la observación. Debido a que estos objetos dependen de la posición del telescopio, solamente son válidos para ese lugar preciso. Para almacenar objetos terrestres, una vez más tiene que centrar el objeto deseado en el ocular. Acceda seguidamente al comando "Save Land Obj" (guardar objeto terrestre) y pulse *ENTER*. La unidad de control le pedirá introducir un número entre 1 y 99 para identificar el objeto. Pulse *ENTER* de nuevo para almacenar este objeto en la memoria.

Enter R.A.-Dec (Introducir A.R-Dec): También es posible almacenar un conjunto de datos específicos para un objeto introduciendo la A.R. y la declinación de ese objeto. Acceda al comando "Enter RA-DEC" y pulse *ENTER*. La unidad de control le pedirá introducir primero la coordenada de A.R. y luego la de declinación del objeto deseado.

GoTo Object (Ir al objeto): Para dirigirse a cualquiera de los objetos definidos por el usuario almacenados en la base de datos, hay que acceder a las opciones "GoTo Obj" (ir al objeto) o "GoTo Land Obj" (ir al objeto terrestre) e introducir el número del objeto que desea seleccionar, y luego pulsar *ENTER*. El NexStar recuperará los datos automáticamente y girará hacia el objeto.

Para sustituir el contenido de cualquier objeto definido por el usuario, solamente tiene que almacenar un objeto nuevo utilizando uno de los números de identificación existentes; el NexStar sustituirá el objeto anterior por el actual.

Camera (Cámara) – El NexStar incluye una función de control que permite obtener remotamente una serie de exposiciones con una cámara digital SLR (DSLR). Esta función integra un sencillo asistente que permite guardar una lista de al menos nueve objetos. Seguidamente, y con una cámara DSLR acoplada al telescopio o en paralelo a él, el NexStar girará automáticamente hacia los objetos determinados y realizará una exposición de cada uno de ellos.

Conectar una cámara al NexStar SE

El NexStar tiene un puerto de control para conectar su cámara mediante un cable de disparo suministrado y el cable de disparo específico de la cámara (no incluido). Para conectar la cámara:

1. Acople el conector telefónico del cable suministrado en el puerto cámara de la base del telescopio.
2. Inserte el conector mono de 2,5mm del cable de disparo de la cámara (suministrado por el fabricante) en el cable de disparo.
3. Conecte el cable de disparo de la cámara en el receptáculo correspondiente de la cámara.

Para acoplar el cuerpo de la cámara al telescopio, consulte el apartado correspondiente en la sección "Astronomía básica". Para localizar un cable de disparo específico a la marca de la cámara, contacte con su suministrador habitual de elementos fotográficos.

Control de la cámara

Asistente para el control de la cámara

El asistente de control de la cámara es el medio más rápido para preparar una secuencia de imágenes de objetos y tiempos de exposición. El asistente le pedirá que apunte el telescopio/cámara hacia un máximo de nueve objetos. Una vez que el

usuario haya seleccionado 9 objetos, el asistente preguntará si la secuencia debe repetirse continuamente o, por el contrario, si ha de detenerse cuando llega a su final.

Para utilizar el asistente de la cámara:

1. Desde el menú principal, pulse la tecla menú y seleccione la opción Camera.
2. Seleccione la opción Camera Wizard (asistente de cámara) y pulse Enter.
3. La unidad de control le pedirá que gire el telescopio hacia los objetos que desea fotografiar. Centre cuidadosamente los objetos en el visor de la cámara.
4. Repita el paso #3 para cada uno de los objetos seleccionados, o pulse Undo después de centrar el último objeto seleccionado.
5. A continuación, utilice las teclas Up/Down para seleccionar si desea detener la secuencia de imágenes una vez obtenida la última foto, o por el contrario, si desea repetir de nuevo la secuencia.
6. Pulse Enter si desea iniciar la secuencia de exposiciones, o Undo si desea editar las entradas individuales de los objetos.

Take Exposures (Obtención de exposiciones) – La opción Take Exposures (obtención de exposiciones) inicia la secuencia de imágenes. Puede pulsar Undo en cualquier momento, para abortar la secuencia.

Edit Entries (Edición de entradas) – Esta opción se emplea para visualizar, editar o añadir objetos a la lista que fue creada con el asistente de cámara. Podrá recorrer los objetos de la lista y seleccionar los parámetros que desee editar.

Cada entrada de lista tiene los siguientes atributos:

Tipo de objeto:

Objeto celeste – Guarda el objeto como si se tratara de un objeto celeste definido por el usuario

- Land Object (Objeto terrestre) – Guarda el objeto como si tratara de un objeto terrestre definido por el usuario
- Nota: Si el telescopio se alineó cuando se creó la lista de objetos, entonces el asistente de la cámara guardará automáticamente los objetos como si fueran objetos celestes. Si el telescopio no se alineó en aquel momento, los objetos serán guardados como objetos terrestres.
- No Change (sin cambios) – El tipo de objeto No Change se utiliza cuando se desea obtener una imagen del mismo objeto que fue seleccionado antes, pero con un tiempo de exposición diferente. Esto evita que el telescopio se dirija al mismo objeto cuando, tan sólo, se ha variado el tiempo de exposición.
- Empty (Vacío) – Esta opción indica que no hay ningún objeto guardado para esta entrada. Si el tipo de objeto se cambia a "empty", la información de esa entrada será eliminada.

Object Number (número de objeto) – (Para objetos celestes y terrestres). Aunque el asistente de cámara tan sólo permite guardar nueve objetos, hay 25 espacios asignados para introducir entradas adicionales. Por ejemplo, si usted dispone de objetos definidos por el usuario en la memoria, puede seleccionar el número del objeto y su posición también será guardada junto a la secuencia de imágenes.

Repeat Count (repetir recuento) – Permite establecer un número de exposiciones para cada objeto.

Exposure Time (tiempo de exposición) – Permite establecer la duración de cada exposición en segundos.

- *Long exposures (exposiciones largas)* – Para obtener una exposición superior a 1 segundo, la cámara debe configurarse en la posición "B". De esta manera, la cámara realizará exposiciones en función del tiempo introducido en la unidad de control.
- *Snapshots (instantáneas)* – Si desea relajar una exposición de 1 segundo o inferior, la cámara debe configurarse en su modo normal y el valor de la exposición en la unidad de control establecerse en "1". Cuando este valor se sitúa en "1", la cámara por defecto aplica el modo "snapshot" (instantánea) y realizará una exposición de una duración determinada por la propia cámara.

Exposure Delay (exposición retardada) – Permite establecer un intervalo de tiempo entre cada exposición.

Sequence End (finalización de la secuencia) – La opción Sequence End permite elegir entre repetir la secuencia indefinidamente o detenerla cuando alcanza la última entrada.

Get RAIDEC (comprobar las coordenadas de A.R y Dec) - Muestra las coordenadas de ascensión recta y declinación de la posición actual del telescopio.

Goto R.A.IDec - Permite introducir valores de posición específicos de A. R. y declinación y girar hacia dicha posición.

Identify (Identificación) – El modo *Identify* (identificación) comprobará cualquier catálogo o lista objetos de la base de datos y mostrará el nombre y la distancia de compensación al objeto más próximo. Esta opción sirve para dos propósitos, primero, puede emplearse para identificar un objeto desconocido en el campo de visión del ocular. Adicionalmente, puede utilizarse para localizar otros objetos celestes próximos a aquellos que ya esté usted observando. Por ejemplo, si el telescopio apunta a la estrella más brillante de la constelación Lyra, al elegir *Identify* y acceder al catálogo *Named Star* éste le indicará sin ningún tipo de duda que la estrella en cuestión es Vega. Sin embargo, si selecciona *Identify*

y accede al catálogo *Named Object* o *Messier*, la unidad de control le informará que la Nebulosa del Anillo (M57) está aproximadamente a 6° de su posición actual. Si busca en el catálogo *Double Star* (estrellas dobles) la unidad de control le informará que Epsilon Lyrae está a tan sólo 1° de Vega. Para utilizar la función *Identify*:

- Pulse la tecla *Menu* y seleccione la opción *Identify*.
- Utilice las teclas Up y Down para acceder a los catálogos de búsqueda.
- Pulse *ENTER* para iniciar la búsqueda.

Nota: Algunos catálogos contienen miles de objetos, y por lo tanto el tiempo de búsqueda puede resultar ligeramente largo.

Precise GoTo (GoTo de precisión) – El NexStar SE posee una opción GoTo de precisión que puede ayudar a la localización de objetos extremadamente débiles, así como a centrar objetos en el campo de visión cuando se emplean altos aumentos o se desea obtener astrofotografías. Esta opción busca automáticamente la estrella brillante más próxima al objeto deseado y solicita al usuario que la centre en el ocular. Posteriormente, la unidad de control calcula la pequeña diferencia entre su posición GoTo y la posición final. Teniendo en cuenta esta diferencia, el telescopio girará hacia el objeto en cuestión con una mayor precisión. Para aplicar esta opción:

1. Pulse la tecla *MENU* y utilice las teclas Up/Down para seleccionar la opción *Precise GoTo*.
 - Elija *Database* para seleccionar el objeto que desee observar de las listas de catálogos.
 - Seleccione RA/DEC para introducir un juego de coordenadas celestes a las que dirigirse.
2. Una vez seleccionado el objeto deseado, la unidad de control buscará y mostrará la estrella brillante más próxima al objeto. Pulse *ENTER* para girar hacia la estrella de alineación.
3. Emplee las teclas de dirección para centrar la estrella de alineación en el ocular.

Pulse *ENTER* para girar hacia el objeto deseado.

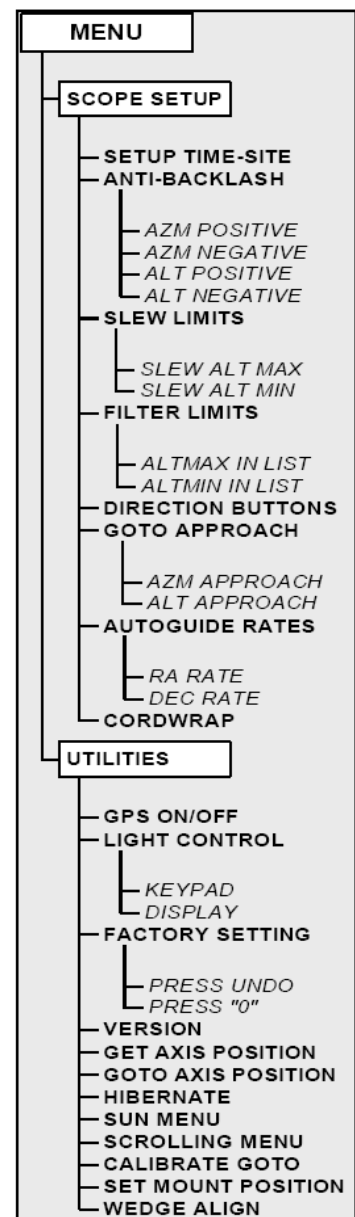
Scope Setup Features (Características de configuración del telescopio)

Setup Time-Site (Configuración de la hora del lugar) - Esta opción permite personalizar la pantalla del NexStar alterando los parámetros de hora y situación (tales como la zona horaria o el ahorro de luz de día).

Anti-Backlash (Compensación del efecto de reacción, holgura) - Todos los engranajes mecánicos tienen un cierto grado de holgura o juego. Este juego resulta evidente al determinar el tiempo que transcurre hasta que se mueve una estrella en el ocular cuando se pulsa una de las teclas de movimiento de la unidad de control (especialmente cuando se invierte la dirección de dicho movimiento.) La función anti-backlash del NexStar permite al usuario compensar el efecto de reacción mediante la introducción de un valor que afecta directamente al motor de manera que pueda eliminar el juego entre engranajes. El valor de compensación necesario depende de la velocidad de giro seleccionada; Por lo tanto, la compensación tiene que ser ajustada en un valor alto. Tendrá que experimentar con varios valores; generalmente un valor entre 20 y 50 resulta ideal para la mayoría de observaciones visuales, mientras que para uso fotográfico es aconsejable aplicar valores más altos. La compensación positiva ha de aplicarse cuando la montura cambia su dirección de movimiento desde atrás hacia delante. Del mismo modo, la compensación negativa ha de aplicarse cuando la montura cambia su dirección de movimiento desde adelante hacia atrás.

Para ajustar el valor de compensación, acceda a la opción anti-backlash correspondiente y pulse *ENTER*. Introduzca un valor entre 0 y 99 tanto para acimut como altitud y pulse *ENTER*, después de cada uno, para almacenar estos valores. El NexStar mantendrá estos valores y los aplicará cada vez que se ponga en marcha hasta que sean modificados.

Slew Limits (Límites de giro) - Establece el límite de movimiento del telescopio de forma que éste pueda girar sin que la pantalla muestre ningún mensaje de aviso. Los límites de giro evitan que el tubo del telescopio se dirija hacia un objeto situado por debajo del horizonte. Sin embargo, los límites de giro pueden configurarse en función de las necesidades del usuario. Por ejemplo, si desea dirigirse hacia un objeto próximo al cenit y tiene montada una cámara en el telescopio que impide colocar el tubo apuntando hacia arriba, puede establecer una altitud máxima entre 80° y 85°.



Filter Limits (Filtro de límite) - Cuando se ha completado una alineación, el NexStar detecta automáticamente aquellos objetos celestes situados por encima del horizonte. Como resultado de ello, al acceder a las listas de la base de datos o aplicar la función Tour, la unidad de control del NexStar mostrará tan sólo aquellos objetos que "sabe" que están por encima del horizonte en el momento de la observación. Usted puede personalizar la base de datos seleccionando unos límites de altitud adecuados a su lugar de observación. Por ejemplo, si su lugar de observación es un área montañosa donde el horizonte está parcialmente obstruido, puede configurar un límite de altitud mínima de +20°. En este caso la unidad de control sólo visualizará aquellos objetos que se encuentren a una altitud por encima de 20°.

CONSEJO: Si desea explorar toda la base de datos, establezca el límite de altura máxima en +90° y el de mínima en -90°. De esta manera la pantalla mostrará todos los objetos de la base de datos independientemente de si son o no visibles desde el lugar de observación.

Direction Buttons (Teclas de dirección) - La dirección de desplazamiento de una estrella en el campo de visión del ocular varía en función del accesorio empleado. Esto puede crear cierta confusión cuando se realiza un seguimiento con una estrella de referencia empleando una guía fuera de eje o directamente a través de un tubo guía. Para compensar esta diferencia es posible alterar la dirección del movimiento natural asociado a las teclas. Para invertir el movimiento natural de las teclas de la unidad de control, pulse la tecla MENU y seleccione la opción *Direction Buttons del Menú Utilities*. Utilice las teclas Up y Down (10) para seleccionar tanto las teclas de acimut (izquierda/derecha) como las de altitud (arriba/abajo) y pulse ENTER. Pulse de nuevo ENTER y la dirección de las teclas de la unidad de control se invertirá con respecto a su funcionamiento estándar. La inversión de las teclas de dirección tan sólo será efectiva con velocidades entre 1 y 6, permaneciendo inalterable con las de giro rápido entre 7 y 9.

Goto Approach (Aproximación Goto) – Esta opción permite al usuario definir la dirección de aproximación del telescopio a un objeto cuando se dirige hacia él. Con ello es posible disminuir el efecto de holgura (backlash). Por ejemplo, si su telescopio está sobrecargado por tener acoplado un dispositivo fotográfico en la parte posterior u otro accesorio óptico de cierto peso, tal vez desee establecer su aproximación desde una dirección negativa. Con esto conseguirá que el telescopio se aproxime siempre al objeto desde la dirección opuesta donde se encuentra la sobrecarga.

Para alterar la dirección de aproximación, seleccione la opción *Goto Approach* en el menú *Scope Setup* (configuración del telescopio), escoja *Altitude* o *Acimut approach* y positiva o negativa y pulse ENTER.

Autoguide Rates (Rango de autoguiado) – Permite establecer un rango de guiado como porcentaje de la velocidad sideral. Esta opción resulta útil cuando hay que calibrar el telescopio con un guiador CCD para la obtención de astrofotografías de larga duración.

Cordwrap (Anti enrollado del cable) – Esta opción evita que los cables conectados al instrumento se enrollen cuando el telescopio realiza giros de 360° alrededor de su base. Resulta muy útil cuando el telescopio opera con una fuente de alimentación externa. Por defecto, esta función está desactivada.

Utility Features (Funciones de utilidades)

Wedge Align (Alineación con montura ecuatorial) – El NexStar dispone de dos modos de alineación ecuatorial, uno para el hemisferio norte y otro para el sur, que le ayudarán a realizar una alineación polar del instrumento cuando utilice una montura ecuatorial opcional. Consulte el capítulo "Astronomía Básica" para obtener más información al respecto.

GPS On/Off – Este función permite activar o desactivar el módulo GPS cuando se utiliza el accesorio opcional CN16. Durante la alineación del instrumento, el NexStar todavía recibe información, como la hora actual, a través del accesorio GPS opcional. Si desea utilizar la base de datos de la unidad de control para localizar coordenadas de objetos celestes en horas o fechas diferentes a las del momento de la observación tendrá que desactivar el módulo GPS para poder introducir manualmente los datos requeridos.

Light Control (Control de luminosidad) - Esta característica permite apagar tanto el teclado luminoso como la pantalla de visualización LCD. Este aspecto resulta útil si utiliza el telescopio durante el día o desea reservar las pilas para la observación nocturna.

Factory Settings (Configuración de fábrica) – Esta opción activa los parámetros originales del fabricante. Las opciones como compensación de holgura, fecha y hora, coordenadas de longitud/latitud, límites de giro y filtro de límites volverán a su configuración original. Sin embargo, otros parámetros almacenados como los objetos definidos por el usuario, o la configuración PEC (aquellos modelos que dispongan de esta característica) permanecerán vigentes incluso si se activa la opción *Factory Settings*. La unidad de control solicitará que se pulse la tecla "0" antes de reajustar los valores a su posición original.

Versión (Versión) – Seleccionando esta opción podrá comprobar la versión actual de la unidad de control y el programa del control del motor.

Get Axis Position (Posición de los ejes) - Muestra los valores relativos de altitud y acimut de la posición actual del telescopio.

Goto Axis Position (Ir a la posición de los ejes) - Permite introducir parámetros de posición de altitud y acimut y girar hacia ellos.

Hibernate (Hibernación) – Esta función permite desconectar el telescopio, y mantener su alineación para posteriores observaciones. No tan sólo ahorra energía, sino que resulta ideal para aquellos usuarios que tienen sus instrumentos montados de forma permanente. Para activar la función *Hibernate*:

1. Seleccione *Hibernate* en el menú *Utility*.
2. Mueva el telescopio hasta una posición deseada y pulse *ENTER*.
3. Apague el instrumento. **No mueva el telescopio manualmente mientras esté en estado *Hibernate*.**

Una vez se conecte de nuevo el telescopio la pantalla mostrará el mensaje *Wake Up*. Después de pulsar *ENTER*, tendrá la opción de comprobar la información sobre fecha y hora para confirmar la configuración actual. Pulse *ENTER* para activar el telescopio.

Consejo: Si pulsa *UNDO* cuando la pantalla muestra el mensaje *Wake Up*, podrá explorar cualquier función de la unidad de control sin sacar el telescopio de su estado *Hibernate*. Para conectar el telescopio después de haber pulsado *UNDO*, seleccione *Hibernate* en el menú *Utility* y pulse *ENTER*. No emplee las teclas de dirección (forma de flecha) para mover el telescopio mientras éste se encuentre en estado *Hibernate*.

Sun Menu (Menú Sol) – Como norma de seguridad el Sol no aparece, por defecto, entre los objetos visibles de los catálogos. Para poder acceder a su visualización, vaya al menú *Sun* y pulse *ENTER*. El Sol aparecerá seguidamente en el catálogo *Planets* y podrá ser utilizado como cualquier otro objeto de alineación cuando emplee el método *Solar System Alignment* (alineación con objetos del sistema solar). Para eliminar el Sol de la pantalla de la unidad de control, vuelva a seleccionar el menú *Sun* en el menú *Utilities* y pulse *ENTER*.

Scrolling Menu (Menú recorrido) - Esta opción permite alterar la velocidad de paso del texto a lo largo de la pantalla de la unidad de control.

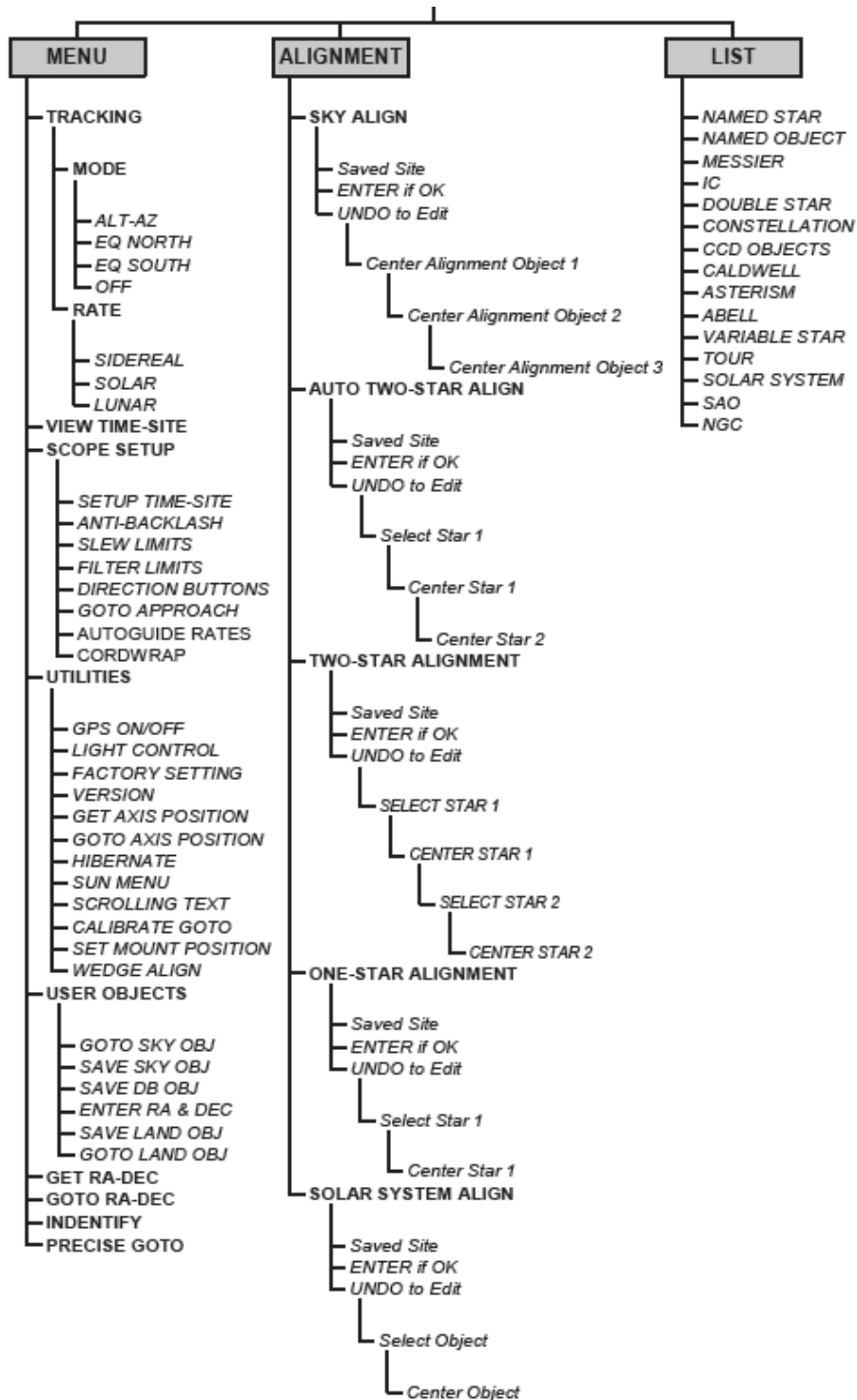
- Pulse la tecla Up para aumentar la velocidad de paso del texto.
- Pulse la tecla Down para disminuir dicha velocidad.

Calibrate GoTo (Calibración GoTo) – Ésta es una herramienta útil cuando se adaptan al telescopio accesorios visuales o fotográficos de cierto peso. Esta opción calcula la distancia y el tiempo que tarda la montura en completar su movimiento final al dirigirse hacia un objeto. Si se altera el equilibrio del telescopio se prolongará el tiempo que tardará en completar la aproximación final. Calibration GoTo tiene en cuenta cualquier mínimo desequilibrio y, por ello, altera la distancia final de aproximación para compensarlo.

Set Mount Position (Establecer la posición de montura) – Este parámetro se utiliza para recuperar una alineación en el caso en que se mueva el trípode del telescopio manualmente. Por ejemplo, podrá aplicar esta función si necesita ajustar la altura del trípode. Después de haber ajustado la altura del trípode, gire hacia una estrella y céntrala en el ocular, a continuación seleccione la opción *Set Mount Position* en el menú *Utilities*. Como el instrumento se ha movido, la precisión de direccionamiento habrá disminuido. Ahora bien, para evitar realizar de nuevo una alineación completa, puede girar hacia un nuevo juego de estrellas y sustituir cualquiera de las originales por éstas últimas.

Diagrama de funciones de la unidad de control

NexStar SE



Fundamentos básicos del telescopio

Un telescopio es un instrumento que capta y enfoca luz. La naturaleza del diseño óptico determina como es enfocada la luz captada. Ciertos telescopios, conocidos como refractores, utilizan lentes. Otros, denominados reflectores, emplean espejos. El sistema óptico Schmidt-Cassegrain incluye una combinación de lentes y espejos y se le conoce como telescopio compuesto o catadióptrico. Este diseño exclusivo ofrece ópticas de grandes diámetros acopladas en tubos muy reducidos, lo que hace que estos instrumentos resulten extremadamente portátiles. El sistema Schmidt-Cassegrain consiste en una placa correctora sin aumento, un espejo primario esférico, y un espejo secundario. Una vez han entrado los rayos de luz en el sistema óptico, éstos recorren la longitud del tubo óptico tres veces.

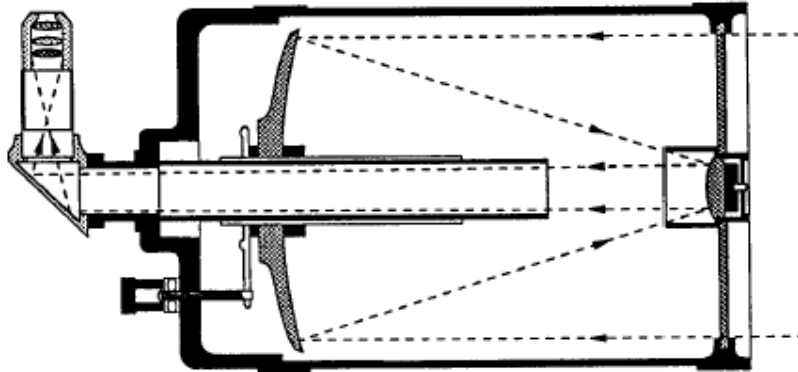


Figura 3-1
Esquema del diseño óptico del sistema Schmidt-Cassegrain

Las ópticas del NexStar incorporan un tratamiento Starbright XLT consistente en un recubrimiento acentuado de multicapas de los espejos primario y secundario para aumentar la reflectividad. Así mismo, la placa correctora tiene un recubrimiento de fluoruro de magnesio para evitar posibles reflexiones.

En el interior del tubo óptico se extiende hacia el interior del mismo un tubo negro que sale del centro del espejo primario. Es el tubo deflector del espejo primario y previene al ocular o la cámara contra la luz directa entrante.

Orientación de la imagen

La orientación de la imagen varía en función de los accesorios ópticos acoplados en el tubo del telescopio. Cuando se utiliza el prisma cenital, la imagen está orientada correctamente en posición vertical, pero invertida de izquierda a derecha. Si introducimos directamente el ocular en el porta ocular (sin prisma cenital) la orientación de la imagen estará invertida tanto vertical como horizontalmente. Este efecto es común en los telescopios de diseño Schmidt-Cassegrain. Esta última opción se mantiene en los buscadores clásicos. En observaciones exclusivamente terrestres emplee el inversor opcional de 45°.



Figura 3-2

Orientación de la imagen observada a simple vista

Orientación de la imagen invertida de izquierda a derecha observada a través de un prisma cenital

Orientación de la imagen totalmente invertida observada a través del ocular colocado directamente en el telescopio

Enfoque

El mecanismo de enfoque del NexStar controla el espejo primario que está montado en un soporte que se desliza hacia adelante y hacia atrás por el interior del tubo. El mando de enfoque, que mueve el espejo primario, está situado en la parte posterior del tubo justo debajo del porta ocular. Para enfocar, gire el mando de enfoque en ambos sentidos hasta definir la imagen. Si el mando no girase es porque ha llegado al tope de su recorrido. Gire el mando en dirección contraria hasta definir la imagen. Una vez enfocado cualquier objeto, mueva el mando hacia la derecha para enfocar objetos más próximos y hacia la izquierda para aquellos más lejanos. Una vuelta del mando de enfoque desplaza ligeramente el espejo primario. Por lo tanto, hay que dar bastantes vueltas (unas 30) para abarcar toda la distancia de enfoque desde el mínimo (unos 18m) a infinito.

En observaciones astronómicas, las imágenes estelares suelen ser muy difusas, resultando bastante difícil, por no decir imposible, verlas. Si gira el mando muy rápidamente corre el peligro de pasarse de enfoque sin llegar a ver la imagen. Para evitar esta circunstancia, el primer punto astronómico debería ser un objeto brillante (tal como la Luna o un planeta) de manera que sea visible aún estando desenfocado. El enfoque más perfecto se consigue cuando el mando actúa de forma que desplace el espejo contra la atracción de la gravedad. Con ello se disminuye al mínimo cualquier desplazamiento del espejo. En observaciones astronómicas, tanto visual como fotográficamente, esto se consigue girando el mando de enfoque en sentido contrario a las agujas del reloj.



Figura 3-3

Cálculo del aumento

Es posible cambiar el aumento del telescopio sustituyendo el ocular. Para determinar el aumento del telescopio divida la distancia focal del telescopio entre la distancia focal del ocular que esté utilizando. La fórmula es:

$$\text{Aumento} = \frac{\text{distancia focal del telescopio (mm)}}{\text{distancia focal del ocular (mm)}}$$

Digamos, por ejemplo, que dispone de un ocular Plössl de 25mm. Para determinar el aumento, simplemente divida la distancia focal del NexStar 5 SE (1250mm) entre la distancia focal del ocular (25mm). Esto proporciona un aumento de 50x.

Aunque el aumento es variable, cada instrumento tiene un límite máximo de aumentos útiles. La regla general teórica es 60 aumentos por pulgada de apertura. Por ejemplo, el NexStar 5 tiene 5" de diámetro. Por lo que 5 multiplicado por 60 proporciona un aumento máximo útil de 300x. Sin embargo, es recomendable realizar la mayoría de observaciones en el rango de 20 a 35 aumentos por pulgada de apertura lo que equivale a trabajar entre 100 y 175 aumentos para el NexStar 5 SE.

Determinación del campo de visión

La determinación del campo de visión es importante para tener una idea del tamaño del objeto que se está observando. Para calcular el campo de visión real, divida el campo aparente del ocular (valores suministrados por el fabricante) entre el aumento conseguido con dicho ocular. El formato de la ecuación sería el siguiente:

$$\text{Campo real de visión} = \frac{\text{Campo aparente del ocular}}{\text{Aumento}}$$

Volviendo al ejemplo anterior, utilizaremos el ocular Plössl de 25mm. Este ocular tiene un campo aparente de visión de 50°. Divida 50° entre el aumento, que es 50x (1250 : 25 = 50x) y obtendrá un campo real de visión de 1°.

Indicaciones generales sobre la observación

Cuando se trabaja con instrumentos ópticos, hay que recordar ciertos conceptos que ayudan a la obtención de la mejor imagen posible.

- Nunca observe a través de una ventana de cristal. El cristal de las ventanas domésticas es ópticamente imperfecto, y como resultado de ello puede variar el grosor entre sus partes. Este defecto afecta al enfoque del telescopio impidiendo conseguir una imagen bien definida. En algunos casos, es posible que vea una doble imagen.
- Nunca observe objetos, o a través de ellos, que produzcan ondas de calor. Entre éstos se encuentran el asfalto en épocas de verano o los tejados de los edificios.

- Asimismo, cielos nublados o con polución dificultarán la observación terrestre. El detalle captado en estas condiciones queda reducido sustancialmente. Igualmente, las fotografías se verán afectadas por un grano mayor en la película así como una disminución del contraste.
- Si utiliza gafas puede quitárselas durante la observación a través del telescopio. Sin embargo, cuando vaya a hacer fotografías es conveniente mantenerlas puestas para conseguir el enfoque más preciso posible. Si el problema es de astigmatismo, deberá llevar puestas las gafas siempre.

Astronomía básica

Hasta ahora el manual ha explicado el montaje y manejo básico del telescopio. Sin embargo, para emplear el instrumento efectivamente, es necesario conocer ciertos principios sobre el cielo nocturno. Esta sección trata sobre la astronomía de observación e incluye información del cielo nocturno y alineación polar.

El sistema de coordenadas celestes

Como ayuda para la localización de objetos en el cielo, los astrónomos emplean un sistema de coordenadas celestes similar a nuestro sistema de coordenadas geográficas terrestres. Este sistema de coordenadas celestes dispone de polos, líneas de longitud y latitud, y un ecuador. En la mayor parte de los casos, estas coordenadas permanecen fijas contra el fondo estelar.

El ecuador celeste se extiende 360° alrededor de la Tierra y separa el hemisferio norte del hemisferio sur. Al igual que el ecuador terrestre su valor es 0°. En la Tierra esto sería la latitud. Sin embargo, en el cielo se denomina declinación, o DEC abreviadamente. Las líneas de declinación por encima y por debajo del ecuador celeste están determinadas por su distancia angular desde el ecuador. Estas líneas están calibradas en grados, minutos y segundos de arco. Las declinaciones situadas al sur del ecuador llevan signo negativo (-), mientras que las situadas al norte llevan signo positivo (+).

El equivalente celeste a la longitud se denomina Ascensión Recta, A.R. abreviadamente. Al igual que las líneas de longitud terrestre, van de polo a polo, y están separadas cada 15°. Aunque las líneas de longitud están separadas por una distancia angular, son asimismo una medida de tiempo. Cada línea de longitud está separada una hora de la siguiente, y como la Tierra gira una vez cada 24 horas, hay 24 líneas en total. Las coordenadas de A.R. están señalizadas en unidades de tiempo. Se miden a partir de un punto arbitrario en la constelación de Piscis designado como 0 horas, 0 minutos y 0 segundos. Todos los demás puntos se designan en función de la distancia a esta coordenada una vez hayan pasado por el cenit en dirección oeste.

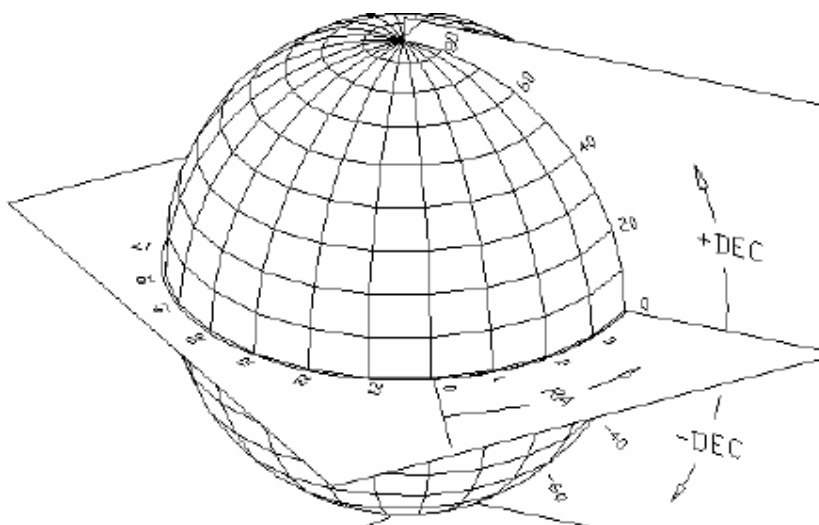
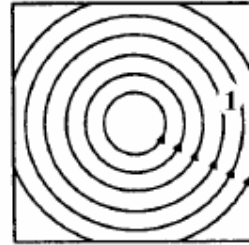


Figura 4-1
Esfera celeste vista desde el exterior mostrando coordenadas de A.R. y Dec

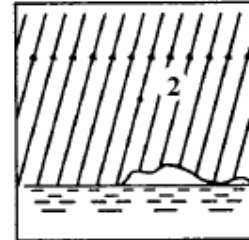
Movimiento de las estrellas

Al igual que el Sol, las estrellas parecen moverse a lo largo del cielo. Este movimiento está causado por la rotación de la Tierra. Para los observadores del hemisferio norte todas las estrellas parecen moverse alrededor del polo norte celeste, y alrededor del polo sur celeste para los observadores del hemisferio sur. Esto significa que en un período de 24 horas, cualquier estrella trazará un círculo completo alrededor de su respectivo polo celeste. Cuanto más nos alejemos del polo celeste, más amplio será el círculo alcanzando su máxima amplitud en el ecuador celeste. Las estrellas cercanas al ecuador celeste salen por el Este y se ponen por el Oeste. Sin embargo, las estrellas próximas a los polos celestes están siempre por encima del horizonte. Estas estrellas se denominan circumpolares ya que nunca salen ni se ponen. No es posible ver el círculo que describen debido a que la luz solar durante el día absorbe la luz de las estrellas. Ahora bien, parte de este movimiento circular de las estrellas en una determinada región del cielo puede ser observado situando una cámara en un trípode y manteniendo abierto el obturador durante un par de horas. El procesamiento de la película revelará una serie de arcos circulares concéntricos con el polo. Esta información será útil para determinados métodos de alineación polar.

Stars seen near the north celestial pole



Stars seen near the celestial equator



Stars seen looking in the opposite direction of the north celestial pole

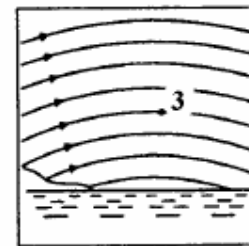


Figura 4-2

Las estrellas parecen moverse alrededor del polo celeste. Sin embargo, la apariencia de este movimiento varía en función de lugar de observación. Cerca del polo norte celeste las estrellas describen círculos reconocibles centrados en el polo (1). Las estrellas próximas al ecuador celeste describen un recorrido circular alrededor del polo. Pero el recorrido completo es interrumpido por el horizonte. Dichas estrellas parecen salir por el este y ponerse por el oeste (2). Observando hacia el polo opuesto, las estrellas se curvan o forman un arco en dirección contraria describiendo un círculo alrededor del polo opuesto (3).

Alineación polar

Aun cuando el NexStar puede seguir con precisión cualquier objeto celeste en su configuración Alt-Az, a la hora de realizar astrofotografías de larga duración será necesario alinear el eje polar del telescopio (el brazo de la horquilla) con el eje de rotación de la Tierra. Para realizar una alineación polar de precisión, el NexStar requiere la adaptación de una montura ecuatorial opcional entre la base y el trípode. Esto permite que los motores hagan girar el telescopio alrededor del polo celeste, de la misma forma que las estrellas. Sin la montura ecuatorial, notará que las estrellas visibles en el ocular giran lentamente alrededor del centro del campo de visión. Aunque este movimiento gradual resulta imperceptible a través del ocular, si que es apreciable en la toma de fotografías.

La alineación polar es el proceso mediante el cual el eje de rotación del telescopio (denominado eje polar) es alineado (paralelo) con el eje de rotación de la Tierra. Una vez realizada la alineación, cualquier telescopio que disponga de motores de seguimiento podrá seguir las estrellas a medida que éstas se desplazan por el cielo. El resultado de ello es que los objetos observados a través del telescopio parecen inmóviles (no se desplazan en el campo de visión). Si no se utiliza un motor, todos los objetos en el cielo (durante el día o la noche) se desplazarán lentamente fuera del campo de visión del instrumento. Este movimiento está causado por la rotación de la Tierra.

El eje polar es el eje alrededor del cual gira el telescopio cuando se mueve en ascensión recta. Este eje apunta siempre en la misma dirección incluso cuando el telescopio se mueve en ascensión recta y declinación.

Alineación Polar (con montura ecuatorial opcional)

El medio más rápido para obtener una alineación polar con el NexStar es inclinar el ángulo de la montura ecuatorial opcional, de manera que los brazos de la horquilla apunten hacia la estrella polar. Para recabar información sobre cómo localizar Polar, consulte el apartado "Localización del polo norte celeste". Para alinear el NexStar con la Polar:

1. Coloque el trípode del instrumento de manera que los brazos de la horquilla apunten hacia el norte.
2. Gire suavemente el tubo del telescopio hasta que apunte hacia el cielo en prolongación a los brazos de horquilla.

3. Afloje ligeramente los mandos de sujeción de la placa de inclinación al cuerpo de la montura ecuatorial.
4. Regule con cuidado el mando de ajuste de latitud hasta que la esca de latitud grabada en la montura indique el valor correspondiente a la latitud del lugar de observación. Por ejemplo, si se encuentra en Barcelona, establezca un valor de 41°.
5. Una vez situada la montura, apriete los mandos de sujeción de la placa de inclinación de la montura.

Ahora, estará en disposición de completar una *alineación EQ norte* para empezar a localizar objetos celestes.

Wedge Align (alineación con montura ecuatorial)

Con la unidad de control computerizada incluida el NexStar ofrece dos opciones de alineación ecuatorial (una referida al hemisferio norte y otra al sur) que le ayudarán a alinear el telescopio con la Polar. Después de haber ejecutado una de las dos opciones de alineación, *EQ AutoAlign* o *Two-Star Alignment*, la función *Wedge Align* dirigirá el telescopio hacia la posición donde debería encontrarse la Polar. Mueva el trípode y la montura para centrar la Polar en el ocular, realizada esta operación el brazo de la horquilla (eje polar) estará apuntando hacia el Polo Norte Celeste. Una vez completado el proceso *Wedge Align*, vuelva a alinear el telescopio empleando los métodos de alineación *EQ Two-Star* o *EQ AutoAlign*. Siga los siguientes pasos para aplicar la función *Wedge Align* con el NexStar en el hemisferio norte.

1. Con el telescopio acoplado sobre una montura ecuatorial y apuntando aproximadamente hacia la Polar, alinee el instrumento utilizando los métodos *EQ AutoAlign* o *Two-Star Alignment*.
2. Seleccione *Wedge Align* en el menú *Utilities* y pulse Enter.

En base a su alineación actual, el NexStar se dirigirá hacia donde crea que está situada la Polar. Utilice los mandos de ajuste de la montura y trípode para situar la Polar en el centro del ocular. No emplee, para ello, las teclas de movimiento de la unidad de control computerizada. Una vez centrada la Polar en el ocular pulse ENTER; el eje polar debería en este caso apuntar hacia el Polo Norte Celeste.

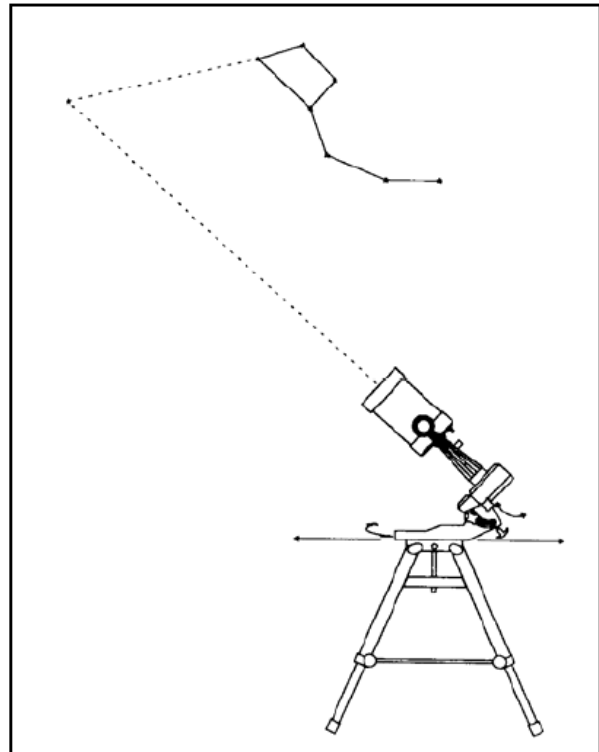


Figura 4-3
Así es como hay que situar el telescopio para su alineación polar. El tubo debe ser paralelo a los brazos de la horquilla, y éstos apuntar a la Polar

Localización del polo norte celeste

En cada hemisferio, hay un punto en el cielo alrededor del cual todas las demás estrellas parecen girar. Estos puntos

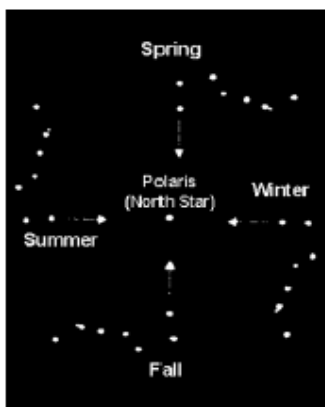


Figura 4-6
La posición de la osa mayor cambia a lo largo de los años y las noches

se llaman polos celestes y están determinados por el hemisferio en el que residen. Por ejemplo, en el hemisferio norte todas las estrellas se mueven alrededor del polo norte celeste. Cuando el eje polar del telescopio apunta al polo celeste, se dice que es paralelo al eje de rotación de la Tierra.

Algunos de los métodos de alineación polar requieren que el observador sepa localizar el polo celeste identificando estrellas en el área de observación. Para aquellos observadores del hemisferio norte, la localización del polo celeste es relativamente sencilla. Afortunadamente, hay una estrella visible a simple vista situada a menos de un grado. Esta estrella, denominada Polar, es la última del brazo del Carro de la Osa Menor. Debido a que la Osa Menor no es una de las constelaciones más brillantes del cielo, puede resultar difícil su localización, especialmente desde áreas urbanas. Si este es el caso, utilice las dos últimas estrellas del Carro de la Osa Mayor. Trace una línea imaginaria prolongando cinco veces la distancia entre estas estrellas en dirección a la Osa Menor. Esta línea apuntará a la Polar. La posición de la Osa Mayor cambiará durante el año y en el transcurso de la noche. Cuando la Osa Mayor está baja en el cielo (por ejemplo, cerca del horizonte), puede resultar difícil su localización. En este caso, busque Casiopea.

Los observadores del hemisferio sur no son tan afortunados como aquellos del norte. Las estrellas alrededor del polo sur celeste no están tan próximas ni son tan brillantes como las del norte. La estrella más próxima y relativamente brillante es Sigma Octantis.

Esta estrella está en el límite de visibilidad a simple vista (magnitud 5,5) y se encuentra a 59 minutos de arco del polo. Para obtener más información sobre estrellas del polo sur celeste consulte un atlas de estrellas.

Definición: El polo norte celeste es el punto del hemisferio norte alrededor del cual todas las estrellas parecen girar. El equivalente en el hemisferio sur se conoce como polo sur celeste.

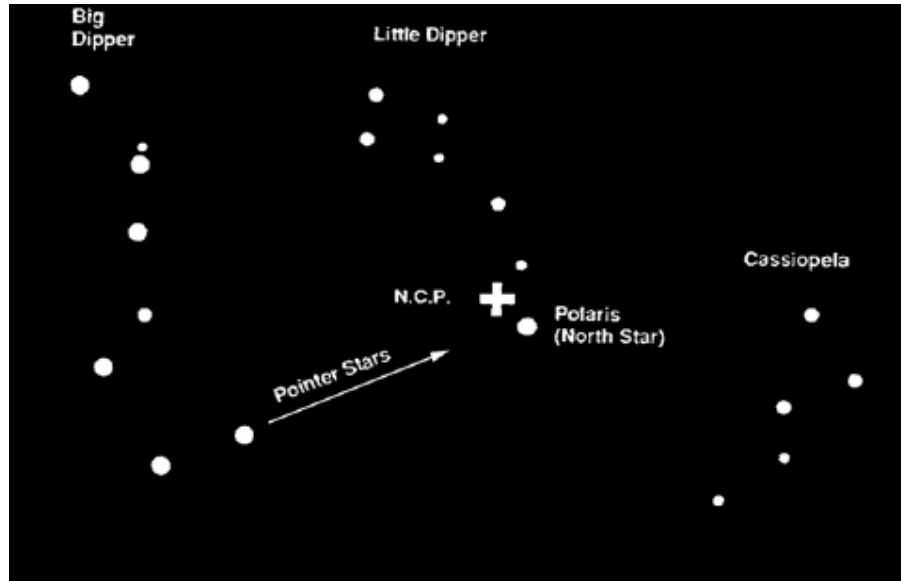


Figura 4-7

Las dos estrellas del extremo del carro de la Osa Mayor apuntan a la Polar, la cual se halla a menos de un grado del verdadero polo norte celeste. Cassiopea, la constelación en forma de "W", se encuentra en el lado opuesto al de la Osa Mayor. El Polo Norte Celeste está marcado con el signo "+"

Observación celeste

Una vez montado el telescopio, ya puede observar con él. Esta sección abarca la observación visual del sistema solar y de objetos de cielo profundo.

Observación de la luna

En el cielo nocturno, la Luna es el objeto primario para observar ya que es muy brillante y fácil de localizar. A menudo, es una tentación observar la Luna llena. En este caso, la superficie que observamos está totalmente iluminada provocando un exceso de brillo. Asimismo, es bastante difícil apreciar contrastes durante esta fase.

Uno de los mejores momentos para observar la Luna es durante sus fases parciales (alrededor del primer o tercer cuarto). Grandes sombras revelan importantes detalles en la superficie lunar. Con pocos aumentos es posible observar la mayor parte del disco lunar de una vez. El reductor/corrector opcional permite realizar observaciones excelentes del disco lunar completo cuando se utilizan pocos aumentos. Emplee aumentos más grandes cuando quiera destacar áreas pequeñas. Recuerde que si no utiliza el motor, la rotación de la Tierra provocará que la Luna se desplace fuera del campo de visión. Tendrá que controlar manualmente el telescopio para mantener centrada la Luna. Este efecto es más acusado cuando se emplean altos aumentos. Si el motor está conectado y el telescopio está bien alineado con la Polar, la Luna permanecerá centrada en el campo de visión. Consulte cualquier periódico o un atlas de astronomía para determinar cuando será visible la Luna.

Sugerencias para la observación lunar

- Para incrementar el contraste y conseguir más detalles de la superficie lunar, emplee filtros. Un filtro amarillo ayuda a mejorar el contraste, mientras que uno de densidad neutra o de polarización reducirán el brillo y las reflexiones.

Observación de los planetas

Otros objetos fáciles de observar a simple vista son cinco planetas. Usted podrá observar Venus a través de sus fases como si fuesen las fases lunares. Marte puede revelar una multitud de detalles de su superficie y uno, si no ambos, de sus casquetes polares. Será capaz de observar el cinturón de nubes de Júpiter y la gran Mancha Roja (si es visible en el tiempo de la observación). Adicionalmente, podrá observar las lunas de Júpiter a medida que orbitan alrededor del planeta gigante. Saturno, con sus maravillosos anillos, es visible con aumentos moderados. Todo lo que hay que saber es dónde mirar. La mayoría de publicaciones astronómicas indican la situación cada mes de los planetas en el cielo.

Sugerencias para la observación planetaria

- Recuerde que las condiciones atmosféricas son generalmente el factor que limita el detalle de la visión de los planetas. Por ello, evite observar los planetas cuando se encuentren cerca del horizonte o próximos a fuentes de radiación de calor, tales como tejados o chimeneas. Consulte la sección "Condiciones de Seeing", más adelante en este manual.
- Para incrementar el contraste y conseguir más detalles de la superficie planetaria, emplee los filtros para ocular de Celestron.

Observación del sol

Aunque practicada múltiples veces por la mayoría de astrónomos aficionados, la observación solar es igualmente provechosa y divertida. Sin embargo, debido a que el Sol es muy brillante, hay que tomar ciertas precauciones cuando observemos nuestra estrella para evitar dañar los ojos o el instrumento.

Nunca proyecte una imagen del Sol a través del telescopio. Debido al diseño compacto del instrumento, se concentra una cantidad enorme de calor en el interior del tubo. Esto podría dañar el telescopio y/o cualquier accesorio acoplado a él.

Para una observación segura, utilice un filtro solar que reduzca la intensidad de la luz solar, haciendo segura la observación. Con este filtro es posible ver las manchas solares a medida que se desplazan por el disco solar. Asegúrese de tapar la lente frontal del buscador o desmontar éste del telescopio cuando observe el Sol. Con ello evitará que el buscador resulte dañado o que alguna persona observe por él inadvertidamente.

Sugerencias para la observación solar

- El mejor momento para observar el Sol es por la mañana temprano o a la caída de la tarde cuando el aire es más frío.
- Para localizar el Sol sin mirar por el ocular, observe la sombra del tubo del telescopio hasta que forme una sombra circular.
- Para asegurar un seguimiento correcto, emplee la velocidad solar.

Observación de objetos de cielo profundo

Los objetos de cielo profundo son aquellos situados fuera de las fronteras de nuestro sistema solar. Incluidos están cúmulos estelares, nebulosas planetarias, nebulosas difusas, estrellas dobles y otras galaxias fuera de nuestra Vía Láctea. Al contrario que el Sol, la Luna, y los cinco Planetas principales, la mayoría de objetos de cielo profundo no son visibles a simple vista. La localización de estos objetos requiere la utilización de los círculos de posición del telescopio o de otras estrellas próximas a ellos.

La mayoría de objetos de cielo profundo tienen un tamaño angular muy grande. Por lo tanto, hay bastante con emplear bajos o moderados aumentos para visualizarlos. Visualmente, estos objetos son muy débiles para revelar cualquiera de los colores vistos en las fotografías de larga exposición. En vez de ello, aparecen en blanco y negro. Y, debido a la poca luminosidad de su superficie, han de observarse desde lugares con un cielo muy oscuro. La polución luminosa alrededor de las áreas urbanas difumina la mayoría de nebulosas haciendo difícil, o casi imposible, su observación. Los filtros antipolución (LPR) ayudan a reducir el brillo de fondo del cielo, incrementado el contraste.

Condiciones "seeing"

Las condiciones de visión afectan a la imagen observada a través del telescopio. En estas condiciones se incluyen la transparencia, iluminación del cielo, y "seeing". La comprensión de las condiciones de visibilidad y el efecto que éstas causan en la observación le ayudarán a sacar mayor partido del telescopio.

Transparencia

La transparencia es la claridad de la atmósfera afectada por las nubes, humedad, y otras partículas que flotan en el aire. Los cúmulos de nubes densos son completamente opacos mientras que los cirros pueden ser finos, permitiendo el paso de la luz proveniente de estrellas brillantes a través de ellos. Los cielos con calima absorben más luz que los cielos claros haciendo que los objetos más débiles sean difíciles de ver y reduciendo el contraste de los más brillantes. Los aerosoles lanzados a la atmósfera exterior por las erupciones volcánicas también afectan a la transparencia. Las condiciones ideales se presentan cuando el cielo es totalmente negro.

Iluminación del cielo

El brillo general del cielo causado por la Luna, la aurora, y la polución afectan, igualmente a la transparencia. Aunque no presenta un problema para las estrellas brillantes y los planetas, los cielos brillantes reducen el contraste de las nebulosas más extendidas, haciendo difícil, si no imposible, su observación. Para aprovechar la observación, limite las sesiones de objetos de cielo profundo al momento en que haya menos luz lunar y fuera de las áreas con polución. Los filtros LPR realzan la visión de objetos de cielo profundo en áreas con polución lumínica al bloquear la luz no deseada mientras transmiten la luz procedente de ciertos objetos de cielo profundo.

"Seeing"

El efecto "seeing" está relacionado con la estabilidad de la atmósfera y afecta directamente al detalle visible en objetos extensos. El aire en nuestra atmósfera actúa como una lente que desvía y distorsiona los rayos de luz incidentes. Esta distorsión depende de la densidad del aire. Las capas con diferente temperatura tienen diferente densidad y, por lo tanto, distorsionan la luz de forma diferente. Los rayos de luz de un mismo objeto llegan ligeramente desviados creando una imagen imperfecta o borrosa. Estas perturbaciones atmosféricas varían en cuanto al tiempo y al lugar. El tamaño de las parcelas del aire en comparación a la apertura del telescopio determina la calidad del "seeing". Bajo buenas condiciones de "seeing", es posible observar finos detalles de los planetas Júpiter y Marte, y las estrellas aparecen como puntos perfectos. En condiciones pobres de observación, las imágenes aparecen difuminadas y borrosas.

Las condiciones descritas aquí se aplican tanto a observaciones visuales como fotográficas.

Fotografía celeste

Después de observar el cielo nocturno, el siguiente paso será fotografiarlo. Con el NexStar es posible utilizar diversos métodos de fotografía celeste. Los métodos más comunes, en función de su dificultad son: fotografía a foco primario de corta exposición, fotografía de proyección (con ocular), fotografía de cielo profundo de larga exposición, fotografía terrestre e incluso captación de imágenes con CCD. Cada uno de estos métodos son descritos a continuación. En las descripciones siguientes se incluyen los accesorios necesarios y algunas técnicas simples. Una mayor información puede conseguirse en las publicaciones indicadas al final de este manual.

Además de los accesorios específicos requeridos para cada tipo de fotografía celeste, se necesita una cámara - pero no exactamente cualquier cámara. La cámara en sí, no necesita tener todas las prestaciones de las cámaras actuales. Por ejemplo, no necesita la función AutoFocus. Realmente las condiciones que ha de reunir una cámara para la toma de fotografías celestes son: primero, es necesario que disponga de la posición "B" que permite exposiciones de tiempo. Esto excluye las cámaras de bolsillo de objetivo fijo y limita la elección a las cámaras SLR, el tipo más común de cámaras de 35mm del mercado actual.

Segundo, la posición "B" no ha de depender de si se agota la pila. Muchas de las nuevas cámaras electrónicas utilizan la pila para mantener abierto el obturador durante exposiciones de tiempo. Una vez que la pila se están agotando, el obturador se cierra, normalmente al cabo de unos minutos, tanto si ha acabado la exposición como si no. Elija una cámara que disponga de obturador manual. Entre las marcas de cámaras aconsejables están: Olympus, Nikon, Minolta, Canon, Pentax, Yashica, etc.

Las cámaras han de ser de objetivo intercambiable para poder adaptarlas al telescopio y al mismo tiempo poder realizar fotografías, con la cámara en paralelo al tubo, con teleobjetivos diversos. Si no puede encontrar una cámara nueva, puede adquirir un cuerpo de cámara de segunda mano y que no es imprescindible que funcione al 100%. El fotómetro, por ejemplo, no tiene por que ser operacional ya que es Usted el que determina manualmente el tiempo de la exposición.

Finalmente, es aconsejable la adquisición de un cable de disparo con función de bloqueo para mantener abierto el obturador mientras Usted realiza otros trabajos. En el mercado hay disponibles cables de disparo del tipo mecánico o de aire.

Fotografía a foco primario de corta exposición

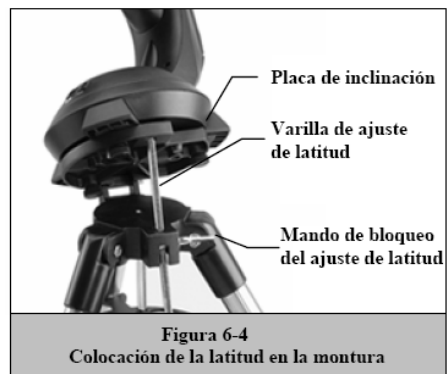
Este método es el ideal para empezar a fotografiar objetos celestes. Se efectúa con la cámara acoplada al telescopio sin ocular ni objetivo de la cámara. Para adaptar la cámara se necesitan el Adaptador-T y el Anillo-T específico para el modelo de cámara (Nikon, Minolta, etc...).

El Anillo-T sustituye al objetivo normal de la cámara SLR de 35mm. La fotografía a foco primario permite la captura de la mayor parte del disco lunar y solar. Para adaptar la cámara al telescopio:

1. Quite los accesorios visuales.
2. Enrosque el Anillo-T en el Adaptador-T.
3. Monte el cuerpo de cámara en el anillo del mismo modo que lo haría con cualquier otro objetivo.
4. Enrosque el Adaptador-T en la parte posterior del telescopio al mismo tiempo que orienta la posición de la cámara (horizontal o verticalmente).

Una vez acoplada la cámara al telescopio ya puede empezar con la exposición. Escoja, inicialmente, un objeto sencillo como la Luna. Para ello:

1. Cargue la cámara con película de velocidad media-rápida. Las películas rápidas son recomendables cuando la Luna está en cuarto creciente. Cuando la Luna sea casi llena, y en su máximo brillo, emplee películas más lentas. A continuación se incluye una lista de películas recomendables:
 - T-Max 100
 - T-Max 400
 - Películas de diapositivas de 100 a 400 ISO
 - Fuji Super HG 400
 - Ektar 25 o 100
2. Centre la Luna en el campo de visión del telescopio.



3. Enfoque el telescopio con el mando correspondiente.
4. Seleccione la velocidad del obturador apropiada (ver tabla 9-1)
5. Emplee un cable de disparo para accionar el obturador.
6. Avance la película y repita el proceso.

Fase de la Luna	ISO 50	ISO 100	ISO 200	ISO 400
Creciente	1/2	1/4	1/8	1/15
Cuarto	1/15	1/30	1/60	1/125
Llena	1/30	1/60	1/125	1/250

Los tiempos de exposición de la tabla 6-1 pueden tomarse como referencia y punto de partida inicial. Realice siempre exposiciones con tiempos más largos o cortos a los recomendados en dicha tabla. Además, es recomendable realizar unas pocas fotos más con cada velocidad del obturador.

- Si utiliza película blanco y negro, emplee un filtro amarillo para reducir la intensidad de la luz e incrementar el contraste.
- Guarde un resumen de las fotos. Esta información será de utilidad cuando quiera repetir los resultados o si quiere enviar alguna de las fotos a cualquier revista de astronomía para su publicación.
- Esta técnica se utiliza también para fotografiar el Sol con un filtro solar adecuado.

Fotografía de proyección con ocular

Este tipo de fotografía está diseñado para objetos con tamaños angulares pequeños, principalmente la Luna y los planetas. Los planetas, aunque son físicamente muy grandes, aparecen pequeños respecto al tamaño angular debido a la gran distancia existente. Por lo tanto, son necesarios aumentos moderados y altos para ampliar la imagen lo necesario para apreciar cualquier detalle. Desafortunadamente, la combinación cámara/telescopio no produce suficiente aumento para proyectar una imagen útil en la película. Para conseguir una imagen suficientemente grande, hay que acoplar la cámara al telescopio con un ocular intercalado. Para ello, son necesarios dos accesorios opcionales; un tubo extensor deluxe, que se acopla al porta ocular, y un anillo-T para la cámara que se vaya a utilizar (Minolta, Nikon, Pentax, etc...)

Debido al gran aumento empleado con esta combinación, el campo de visión es muy pequeño con lo que dificulta la localización y el centrado de los objetos. Para solventar este inconveniente, alinee lo más precisamente posible el buscador. Con ello podrá mantener el objeto en el campo del telescopio basándose en la precisión de la alineación del buscador.

Otro problema añadido al alto aumento es la vibración. Simplemente el accionamiento del obturador, incluso con un cable de disparo, provoca una vibración capaz de producir una imagen borrosa. Para solventar esto, utilice el disparador automático de la cámara si el tiempo de exposición es inferior a un segundo. Para exposiciones superiores a este tiempo emplee la siguiente técnica. Consiga una cartulina negra para colocarla delante del tubo del telescopio, esta cartulina actuará como un obturador. Asimismo, la cartulina evita la entrada de luz al telescopio mientras el obturador de la cámara esté abierto. Una vez liberado el obturador y la vibración se haya estabilizado, mueva la cartulina fuera del telescopio para impresionar la película. Después de completada la exposición, vuelva a colocar la cartulina en la parte frontal del telescopio y cierre el obturador. Avance la película y estará listo para una próxima exposición. Tenga en cuenta que la cartulina ha de colocarse a unos pocos centímetros por delante del tubo, sin tocarlo. Es aconsejable que sean dos personas las que intenten este procedimiento; una para liberar el obturador de la cámara y otra para aguantar la cartulina. A continuación, se detalla el procedimiento para la exposición.

7. Localice y centre el objeto en el visor de la cámara.
8. Enfoque el instrumento hasta conseguir la máxima definición.
9. Sitúe la cartulina negra en la parte frontal del telescopio.
10. Libere el obturador empleando un cable de disparo.
11. Espere hasta que la vibración producida al liberar el obturador se estabilice. Asimismo, espere a tener unas buenas condiciones de "seeing".
12. Quite la cartulina negra por el tiempo de duración de la exposición (consulte la tabla 8-2).
13. Vuelva a colocar la cartulina delante del telescopio una vez cubierto el tiempo de exposición.
14. Cierre el obturador de la cámara.

Avance la película para proceder a una nueva exposición. No olvide tomar fotos con diferentes tiempos y guarde un dossier con todo el trabajo, incluyendo la fecha, tipo de telescopio, duración de la exposición, ocular, relación focal, película, y cualquier otro comentario de interés.

La tabla siguiente indica una serie de exposiciones efectuadas con el método de proyección ocular. Para ello se ha empleado un ocular de 10mm de focal. Los tiempos de exposición están expresados en segundos o fracciones de segundo.

Planeta	ISO 50	ISO 100	ISO 200	ISO 400
Luna	4	2	1	1/2
Mercurio	16	8	4	2
Venus	1/2	1/4	1/8	1/15
Marte	16	8	4	2
Júpiter	8	4	2	1
Saturno	16	8	4	2

Los tiempos de exposición arriba especificados pueden utilizarse como punto de partida. Realice exposiciones superiores e inferiores al tiempo recomendado. Con ello nos aseguraremos una toma correcta. Es bastante común gastar un carrete de 36 fotos y obtener sólo una aceptable.

NOTA: No espere obtener más detalles que los observados a través del ocular en el momento de la fotografía.

Una vez haya experimentado con la técnica, pruebe diferentes tipos de películas, oculares de focales diversas, e incluso algunos filtros.

Fotografía a foco primario de larga exposición

Esta es la última variedad de fotografía celeste a practicar una vez experimentadas las anteriores. Esta pensada principalmente para objetos de cielo profundo, es decir objetos situados fuera de nuestro sistema solar, tales como cúmulos estelares, nebulosas, y galaxias. Al contrario de lo que parece obvio no se emplean altos aumentos. La mayoría de estos objetos cubren grandes áreas angulares y entran perfectamente en el campo de visión del telescopio. La falta de luminosidad de estos objetos requiere unas exposiciones de tiempos prolongados, lo que implica ciertas dificultades.

Existen varias técnicas para este tipo de fotografía, y en función de la que se emplee se necesitarán los accesorios correspondientes. Por ejemplo, si utiliza un telescopio guía en paralelo, la cámara se acopla al telescopio con un Adaptador-T y un Anillo-T para el modelo de cámara. Sin embargo, el método más indicado para fotografía de larga exposición de cielo profundo es el emplea una guía fuera de eje. Este dispositivo permite guiar y fotografiar a través del telescopio simultáneamente. Celestron ofrece una guía fuera de eje específica denominada Guiador Radial. Además, es necesario el Anillo-T para acoplar la cámara.

Otro accesorio importante para completar el conjunto es el ocular de guía. Al contrario que en la fotografía con la cámara en paralelo al tubo del telescopio, la fotografía a foco primario requiere un guiado meticuloso durante las tomas de larga exposición. Para ello se necesita un ocular guía con retículo iluminado para controlar la estrella guía. Celestron dispone del Ocular de Guía Micrométrico. A continuación se describe brevemente esta técnica.

1. Alinee el telescopio con la Polar empleando una montura ecuatorial. Para alinear el NexStar con la Polar seleccione EQ North Align entre las opciones de alineación.
2. Quite los accesorios visuales.
3. Acople la guía fuera de eje radial al telescopio.
4. Enrosque el anillo-T en la guía fuera de eje radial.
5. Adapte el cuerpo de cámara en el anillo-T.
6. Coloque el controlador de velocidades de la cámara en la posición "B".
7. Enfoque el telescopio a una estrella.
8. Centre el objeto en el campo de la cámara.
9. Localice una estrella guía adecuada en el campo del telescopio. Este es el proceso que más tiempo puede durar.
10. Abra el obturador mediante un cable de disparo.
11. Controle la estrella guía durante la exposición, para ello pulse las teclas correspondientes del control manual.
12. Cierre el obturador de la cámara.

En un principio, utilice películas rápidas para captar el máximo detalle en el menor tiempo posible. A continuación le indicamos algunas películas recomendables:

- Ektar 1000 (película color)
- Konica 3200 (película color)
- Fujichrome 1600D (diapositiva)
- 3M 1000 (diapositiva)
- Scotchchrome 400
- T-Max 3200 (película blanco y Negro)
- T-Max 400 (película blanco y negro)

A medida que vaya perfeccionando su técnica, pruebe con películas especializadas, aquellas diseñadas o tratadas específicamente para fotografía celeste. Estas son algunas de las más populares:

- Ektar 125 (película color)
- Fujichrome 100D (diapositivas)
- Tech Pan, hipersensible (película blanco y negro)
- T-Max 400 (película blanco y negro)

No hay ninguna tabla de determinación de exposiciones que pueda servirle de ayuda. La mejor manera de determinar el tiempo de exposición es consultar las fotos previamente publicadas en almanaques o revistas y obtener de ellas la combinación idónea. Otro método es realizar tomas sin guiado de varias partes del cielo mientras el motor está funcionando. Realice siempre diversas exposiciones con diferentes tiempos para determinar el mejor tiempo de exposición.

Fotografía terrestre

El NexStar resulta ser un excelente teleobjetivo para fotografía terrestre. La fotografía de objetos terrestres se realiza mejor con el telescopio establecido en la configuración Alt-Az y la función de seguimiento de los motores desactivada.

Medición de la luz

El NexStar tiene una abertura fija, y por lo tanto, una relación focal, igualmente, fija. Para obtener una exposición apropiada, es necesario establecer la velocidad de obturación en consecuencia. La mayoría de cámaras de 35mm proporcionan sistemas de medición de luz a través del objetivo lo que permite al observador determinar si la imagen está sobreexpuesta o por el contrario subexpuesta. El ajuste de la exposición se realiza cambiando la velocidad del obturador. Consulte el manual de instrucciones de la cámara fotográfica para determinar como medir la luz y cambiar el tiempo de exposición.

Reducción de las vibraciones

La liberación manual del obturador puede causar vibraciones, produciendo imágenes borrosas. Para reducir las vibraciones que se producen al manipular el obturador es aconsejable utilizar un cable de disparo. Un cable de disparo permite mantener las manos alejadas de la cámara y la lente, evitando la posibilidad de introducir vibraciones. Pueden utilizarse cables de disparo mecánicos, aunque son preferibles aquellos de aire. Velocidades de obturación demasiado lentas pueden provocar, también, imágenes borrosas. Para evitar esto, emplee películas que permitan realizar exposiciones de 1/250 de segundo sin necesidad de utilizar un trípode de sujeción. Cuando la cámara esté montada en un trípode, el tiempo de exposición resulta prácticamente ilimitado.

Mantenimiento del telescopio

Aunque el NexStar requiere un mínimo mantenimiento, hay algunos aspectos a tener en cuenta que ayudarán a que el telescopio trabaje óptimamente.

Limpeza y cuidados de las ópticas

Ocasionalmente, el polvo y la humedad pueden depositarse sobre la placa correctora del telescopio. Hay que tener cuidado a la hora de la limpieza de cualquier instrumento para evitar dañar las ópticas.

Si se deposita suciedad en la placa correctora, limpie ésta con un pincel de pelo suave y aire a presión. Cuando utilice aire presurizado, haga incidir éste oblicuamente sobre la placa durante dos a cuatro segundos. A continuación, use una solución de limpieza para óptica y papel (tipo Kleenex) para quitar los restos de suciedad. Aplique la solución sobre el papel y pase éste por la superficie de la placa desde el centro de la misma hacia el exterior. NO describa círculos.

Puede emplear soluciones limpiadoras existentes en el mercado, o fabricar su propia solución. Una buena solución de limpieza es una mezcla de alcohol isopropílico y agua destilada. La medida adecuada sería un 60% de alcohol isopropílico y un 40% de agua destilada. También puede emplearse, jabón líquido lava platos diluido en agua (un par de gotas de jabón por cada cuarto de agua.)

En algunos momentos, puede depositarse rocío sobre la placa correctora del telescopio durante una sesión de observación. Para quitar este rocío utilice un pequeño secador de pelo o bien apunte el telescopio hacia el suelo hasta que el rocío se evapore.

Si la humedad se condensa en el interior de la placa correctora, coloque el telescopio en un ambiente libre de polvo. Quite los accesorios de la parte posterior del tubo y apunte el telescopio hacia abajo. Con ello eliminará la humedad del tubo del telescopio.

Una vez acabada la observación tape todas las superficies ópticas del instrumento. Cubra el porta ocular con la tapa de plástico correspondiente. De esta manera, evitaremos la entrada de agentes contaminantes en el tubo.

El ajuste o limpieza de las partes internas del instrumento debe realizarse únicamente por personal especializado de Celestron. Si el telescopio necesitase cualquier ajuste o limpieza interior póngase en contacto con el distribuidor de Celestron autorizado.

Colimación

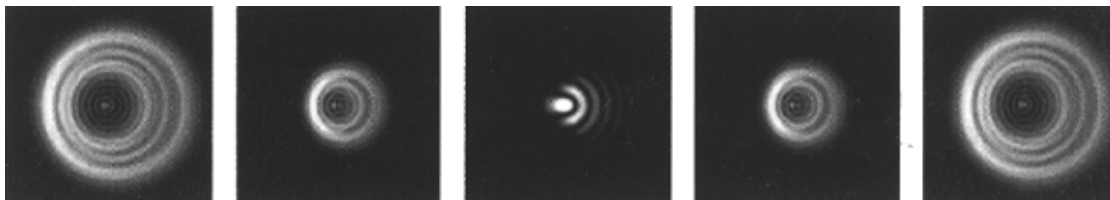


El rendimiento óptico del telescopio Celestron está directamente relacionado con la colimación, la alineación de su sistema óptico. El NexStar ha sido colimado previamente en la fábrica. Sin embargo, puede llegar a descolimarse si sufre golpes o agitaciones bruscas, especialmente durante el transporte. El único elemento óptico que puede necesitar ajuste, es la inclinación del espejo secundario.

La colimación es la alineación de los elementos ópticos. En el sistema óptico Schmidt-Cassegrain utilizado en los NexStar SE, corresponde a la alineación de los espejos primario y secundario.

Para la comprobación de la colimación es necesaria una fuente de luz. Una estrella brillante cercana al cenit sería ideal ya que tiene una mínima cantidad de distorsión atmosférica. Conecte el motor para no tener que seguir la estrella manualmente. Ahora bien, si no utiliza el motor, elija la Polar. Su posición con respecto al polo celeste indica que se mueve muy poco eliminando, con ello, la necesidad de seguirla manualmente.

Antes de iniciar el proceso de colimación, asegúrese de que el telescopio esté a temperatura ambiente. El telescopio alcanzará el equilibrio térmico al cabo de unos 45 minutos en el caso de diferencias de temperatura extremas.



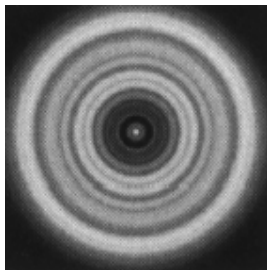
Para verificar la colimación, visualice una estrella cercana al cenit. Utilice un ocular de medios a altos aumentos, 12mm o 6mm. Es importante centrar la estrella en el centro del campo de visión para comprobar la colimación. Lentamente

desenfoque el objeto y compruebe la simetría de la estrella. Si aprecia una distorsión sistemática de la estrella hacia un lado, es necesario colimar el aparato.

Hay que actuar ligeramente sobre el tornillo(s) de colimación del secundario que mueven la estrella a través del campo hacia la dirección en que la imagen se distorsiona. Los tornillos de colimación se encuentran en el soporte del espejo secundario. Para acceder a los tornillos de colimación gire la cubierta protectora del secundario para exponer los tres tornillos. Haga sólo unos pequeños ajustes, 1/6 a 1/8 de vuelta, y vuelva a centrar la estrella moviendo el tubo antes de realizar otros ajustes.

Para realizar la colimación siga los siguientes pasos:

1. Mientras observa con aumentos medios o altos, desenfoque una estrella brillante hasta que visualice un patrón circular de anillos concéntricos con una sombra en el centro (ver figura 9-2.) Centre la estrella desenfocada y compruebe en que dirección está alabeada la sombra central.
2. Coloque un dedo en el extremo de la placa correctora (tenga cuidado de no tocar la placa), apuntando hacia los tornillos de colimación. La sombra del dedo será visible en el ocular. Gire el dedo alrededor del borde de la placa hasta que su sombra se encuentre lo más cerca posible de la parte más estrecha de los anillos de difracción (es decir, en la misma dirección en la que la sombra central está alabeada.)
3. Localice el tornillo de colimación más próximo a la posición de su dedo. Este es el primer tornillo que tendrá que ajustar.
7. (Si el dedo está situado exactamente entre dos de los tornillos de colimación, tendrá que ajustar el tornillo opuesto a la posición del dedo.)
4. Utilice las teclas de dirección de la unidad de control para desplazar la imagen desenfocada de la estrella hacia el borde del campo de visión, en la misma dirección que la obstrucción central de la imagen estelar está alabeada.
5. Mientras observa a través del ocular., emplee una llave Allen para girar los tornillos de colimación. Generalmente es suficiente un giro de 1/10 de vuelta para apreciar un cambio en la colimación. Si la imagen de la estrella se desplaza fuera del campo en la dirección que la obstrucción central está alabeada, usted está girando el tornillo en sentido erróneo. Gire el tornillo en dirección contraria, de manera que la imagen de la estrella se desplace hacia el centro del campo de visión.
6. Si cuando gira uno de los tornillos de colimación llegara a apreciar que queda muy suelto, simplemente apriete los dos tornillos restantes con una presión idéntica a la empleada en aflojar el anterior.
7. Una vez centrada la imagen en el campo de visión, compruebe que los anillos sean concéntricos. Si la obstrucción central todavía permanece alabeada en la misma dirección, continúe ajustando el tornillo (s) en la misma dirección. Si detecta que el alabeo ha cambiado de dirección, repita los pasos 2 a 6 anteriores.



Una perfecta colimación proporcionará una imagen de la estrella o planeta simétrica tanto si está enfocada como no. Además, una colimación perfecta proporciona el rendimiento óptico óptimo para el cual ha sido diseñado el instrumento.

En condiciones adversas, como turbulencia, estabilidad del aire, etc..., la colimación resulta difícil de comprobar. Espere a que las condiciones de observación mejoren.