

Vixen®

Instruction Manual for SXG-P85DX Metal Pillar

Vixen Co., Ltd. 5-17-3 Higashitokorozawa, Tokorozawa, Saitama 359-0021, Japan
 Phone +81-4-2944-4141(International)
<https://www.vixen.co.jp> Fax +81-4-2944-9722(International)

67# - 4 -

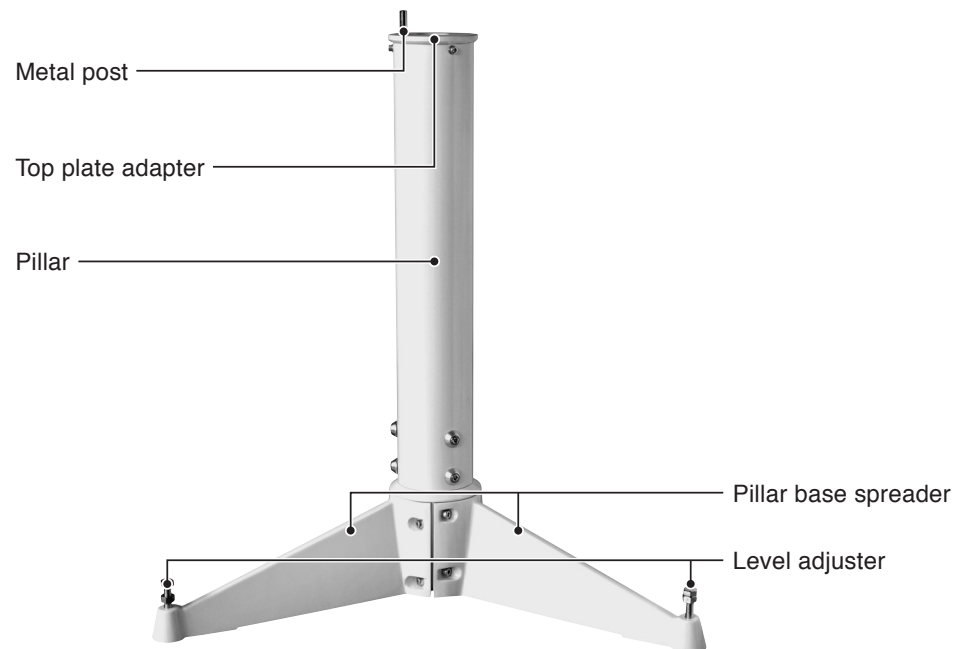


Preface

Thank you for your purchase of a Vixen SXG-P85DX metal pillar. This instruction manual describes the SXG-P85DX metal pillar. Be sure to refer to an operation manual of your Vixen mount together with this manual to understand usage of the SXG-P85DX metal pillar completely.

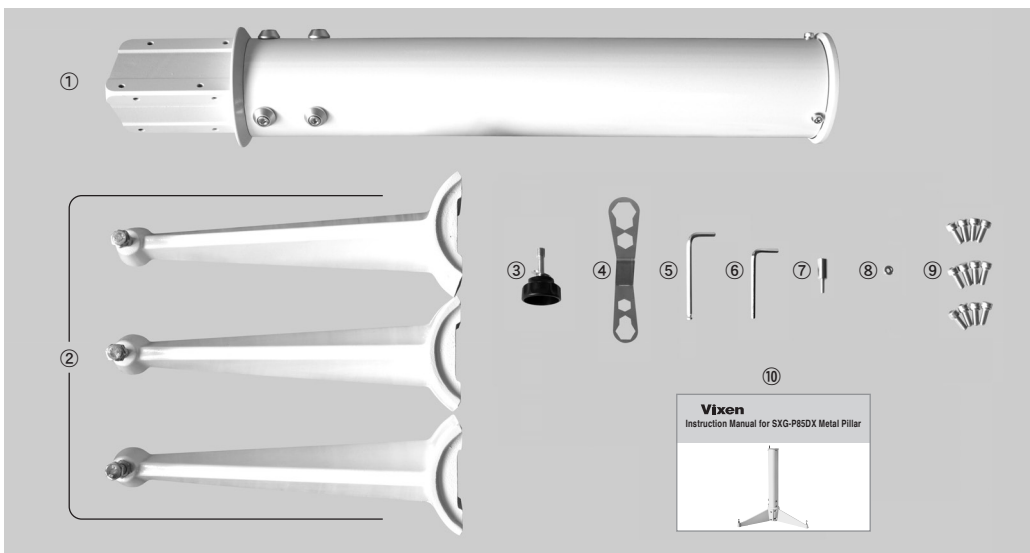
Note: Take care not to tumble the metal pillar by accident if you use without anchoring it in your observing site.
A set up space of the pillar base spreaders is narrower than the spread legs of a tripod. The larger the size of a telescope attached, the less the stability of the pillar due to a shift of the center of gravity outward.
If the HF2 Mount is used at an angled fork arms position, it will result in shifting off the center of gravity. Please take care of it.

Name of Each Part



Checking the Package Contents

The SXG-P85DX metal pillar contains the parts listed below. Make sure that your box contains all these parts.



List of Contents			
	Description	Quantity	Note
①	Pillar main body	1	Comes with a top plate adapter
②	Pillar base spreader	3	
③	Fixing bolt	1	
④	Wrench	1	Usable for a level adjuster
⑤	6mm Allen wrench	1	Usable for M8 screws
⑥	5mm Allen wrench	1	Usable for M6 screws
⑦	Metal post	1	Used for installing a SXW, SXD, SX2, SXD2, SXP, GP2, GPD2 equatorial mount or HF2 folk mount
⑧	Vanity ring	1	Used for installing a SXW, SXD, SX2, SXD2 or SXP equatorial mount
⑨	M8 screws - 20mm long	12	Used for a pillar base spreader
⑩	Instruction manual	1	

Compatibility

Applicable to: SXW, SXD, SX2, SXD2, SXP, SXP2, GP2 and GPD2 equatorial mounts or HF2 Fork mount, SKYPOD and PORTA II alt-azimuth mounts
 *1, *2, *3

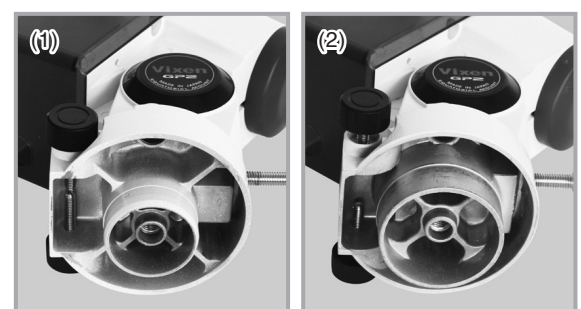
*1: With use of an optional GP60 to 45AD (#25169) sold separately, the former GP, GPE, GPD, GPX and SP equatorial mount, old HF fork mount and the relevant old half pillars can be attached onto the SXG-P85DX metal pillar. (It is not compatible with the SPDX equatorial mount.)

*2: Followings are examples of an installation for the GP2 or GPD2 mount.

*3: Optional SXG Half pillar, SX Half Pillar2 and SX Half Pillar are usable with the SXG-P85DX metal pillar.

(1) The 45mm mounting base of the GP2 and GPD2 equatorial mounts fits directly the head of the SXG-P85DX metal pillar.

(2) Both the GP2 and GPD2 equatorial mounts with the former 60mm mounting base need an optional GP60 to 45AD to have the mount usable with the SXG-P85DX metal pillar.

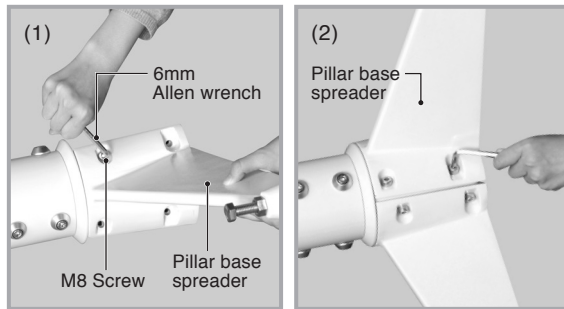


Assembling the SXG-P85DX Metal Pillar

CAUTION:
Be sure to handle the metal pillar carefully as it is a very heavy item. Take care not to drop the product as it could seriously damage the equipment or lead to injury.

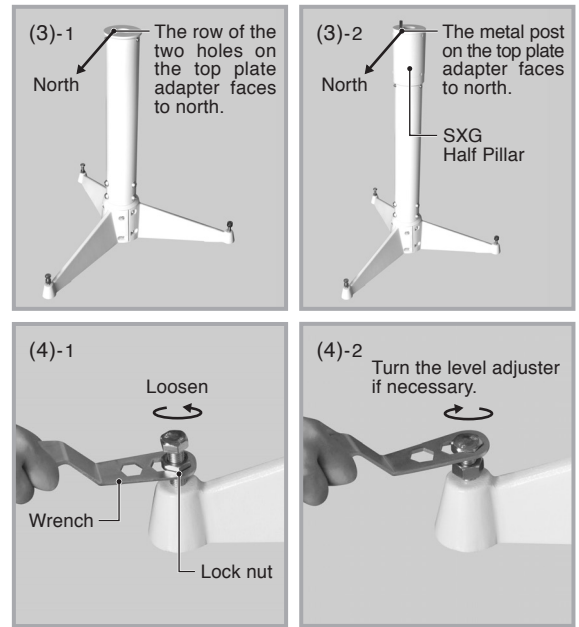
Lay down the metal pillar main body and put the pillar base spreader on it. It is recommended to put the metal pillar on a rug so that you can avoid scratching it.

- Place one of the pillar base spreader on the bottom of the metal pillar main body where the thread holes are provided so that the two are coupled. Fasten the pillar base spreader with the supplied M8 screws using the 6mm Allen wrench. Make sure that the pillar base spreader is attached to the metal pillar main body tightly.
- Fasten the other two pillar base spreaders in the same manner as described above.



- Stand up the metal pillar and set up it on a level ground. Place the metal pillar so that a row of the two holes for the metal post (or the metal post if the SXG half pillar is used) on the top plate adapter of the pillar head faces to north.
- If necessary, turn left or right the level adjuster on the tip of the pillar base spreader in order to have the metal pillar stood straight.

Unfastening the lock nut beneath the level adjuster bolt will allow for readjusting the elevation.



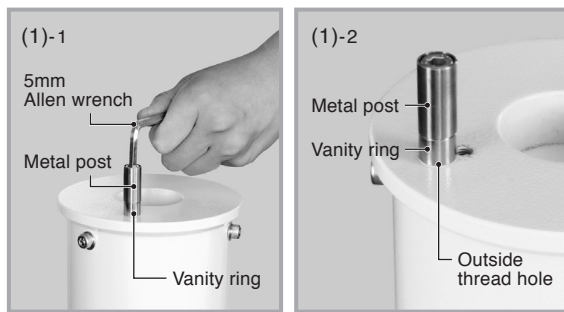
Attaching an equatorial mount to the Top Plate Adapter

The SXD equatorial mount is shown as an example here.

- Attach the metal post and vanity ring on the top plate adapter of the metal pillar.

Attaching the SXW, SXD, SX2, SXD2, SXP Mount or SXG Half Pillar

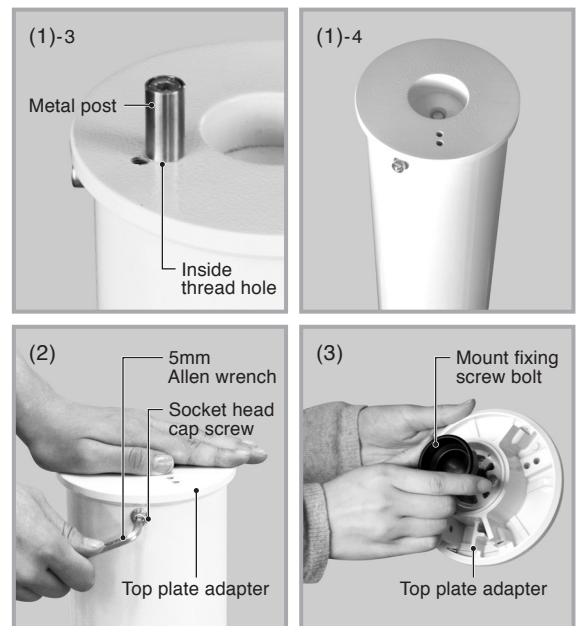
Place the vanity ring over the thread hole that is positioned the outside on the top plate adapter. Screw the metal post down into the thread hole to attach. Tighten the metal post until the end of the thread securely using the 5mm Allen wrench.



Attaching the GP2 or GPD2 Mount
Place the metal post over the thread hole that is positioned the inside on the top plate adapter. Screw the metal post down into the thread hole to attach. Tighten the metal post until the end of the thread securely using the 5mm Allen wrench.

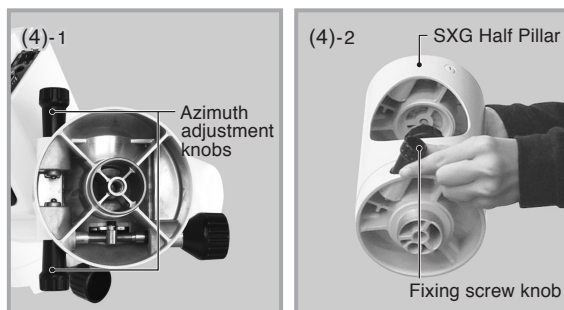
Attaching the PORTA II Altazimuth Mount
The metal post and vanity ring are not necessary. Attach the PORTA II onto the top plate adapter of the metal pillar instantly.

- Remove the top plate adapter from the metal pillar by unscrewing three of the socket head cap screws on the side of the pillar head with the 5mm Allen wrench.
- Attach the mount fixing screw bolt to the thread hole on the center of the top plate adapter until the threaded portion of the mount fixing screw bolt is put through.



- Loosen the azimuth adjustment screws in advance by turning the knobs of the azimuth adjustment screws on the equatorial mount.

Note: The azimuth adjustment screws are not provided for the HF2 folk mount and PORTA II alt-azimuth mount.



- Hold the equatorial mount so that the azimuth adjustment screws of the mounting base come above the metal post. Place the equatorial mount so that the two azimuth adjustment screws should pinch the metal post on the top plate adapter. Fasten the mount fixing bolt to the mounting base of the equatorial mount to attach the top plate adapter securely.

Tighten the azimuth adjustment screws on the mounting base by turning the two azimuth adjustment knobs equally to set.

- Place the equatorial mount on the pillar head so that the top plate adapter fits the pillar head in place. Fasten the top plate adapter tightly with the socket head cap screws which were removed in the procedure (2).

Finish setting up the equatorial mount to the SXG-P85D metal pillar.

