

Meade ETX-AT Quickstart Guide

Before assembling your telescope, visit the Meade ETX-AT resources page to access the full instructional manual, electronic quick start guide and download our AutoStar Suite Planetarium Software. <https://www.meade.com/content/etx-at-support-resources>

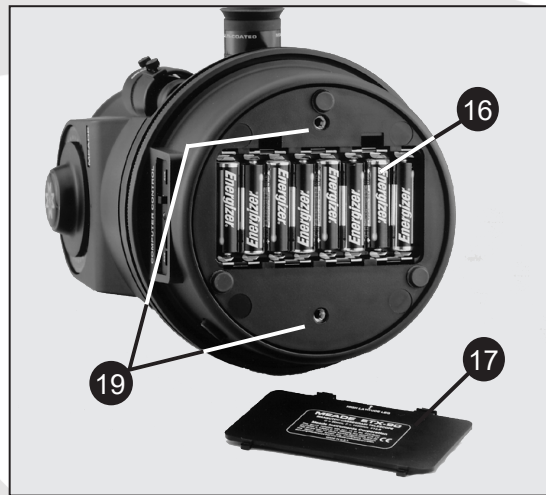


SCAN ME

ETX-AT Mount Overview



Battery Compartment

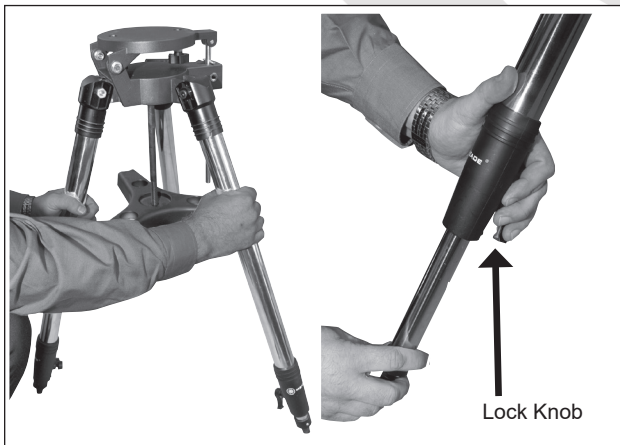


ETX-AT Tripod

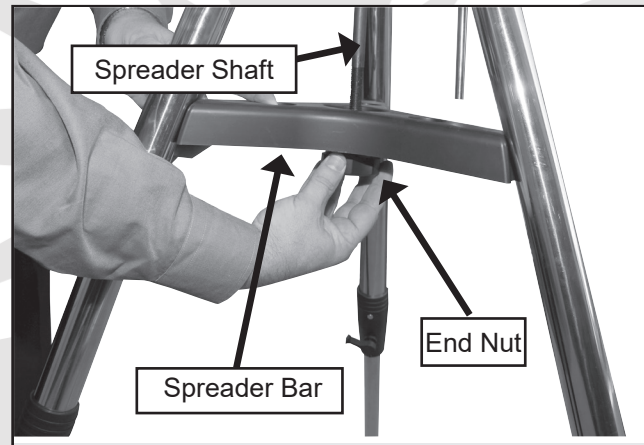


- | | | | |
|---|------------------------------------|------------------------------------|--------------------------------|
| 1. Focus Knob (not visible) | 8. Optical tube | 15. Horizontal (R.A.) lock knob | 22. Spreader Bar |
| 2. Rear photo port | 9. Dust cover (not visible) | 16. Battery Compartment (8 x AA) | 23. End Nut |
| 3. Eyepiece holder | 10. Vertical (Dec.) lock knob | 17. Battery cover | 24. Latitude Control Knob |
| 4. Eyepiece | 11. Fork arm | 18. Horizontal (RA) Setting Circle | 25. Tripod Mounting Screws (2) |
| 5. Red-dot viewfinder | 12. Computer control panel | 19. Tripod mounting holes (2) | 26. Latitude Control Rod |
| 6. Eyepiece holder thumbscrew (not visible) | 13. Vertical (Dec.) Setting Circle | 20. Leg Lock Knob | |
| 7. 90 Degree Flip-Mirror Control Knobs | 14. Front lens | 21. Spreader Shaft | |

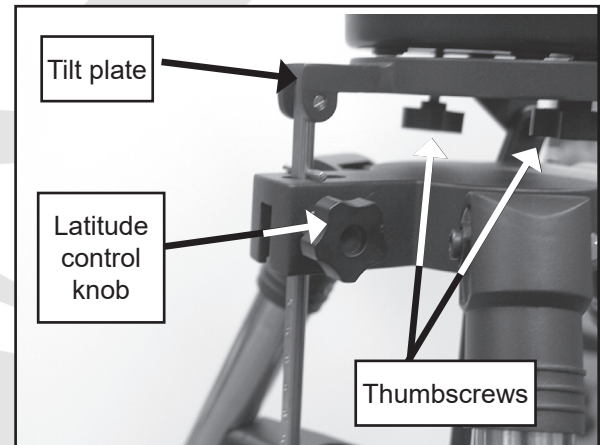
STEP 1 Open the tripod, extend the legs, and adjust height as needed. After adjustments, tripod head should be approximately level.



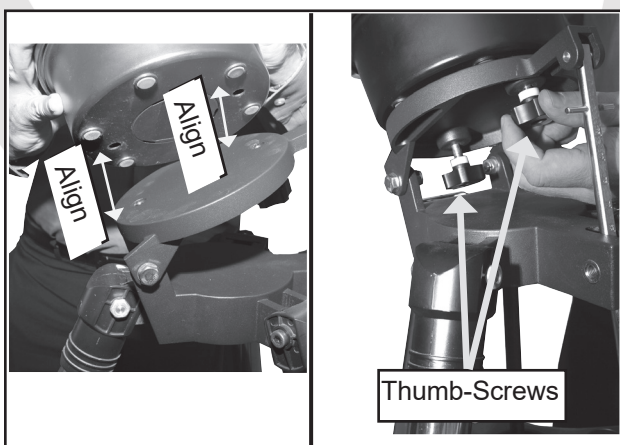
STEP 2 Attach the spreader bar with the spreader shaft until the telescope legs are held snugly.



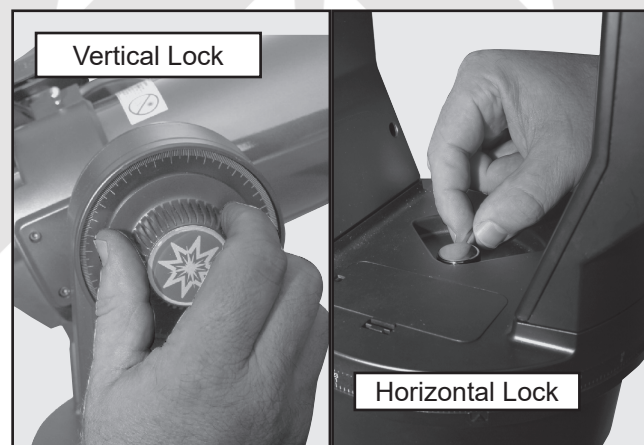
STEP 3 Loosen the latitude control knob and tilt the tripod tilt plate. Lock it in place so you have access to the two mounting thumbscrews.



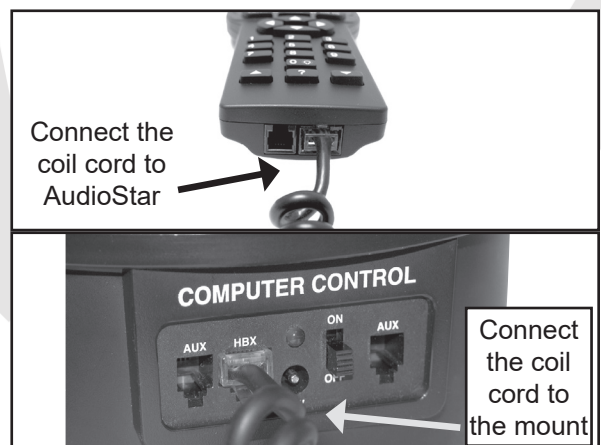
STEP 4 Install batteries if needed. See above image of the battery compartment. Then attach the mount to the tripod using the two tilt plate thumbscrews. Lower the tilt plate and lock into the level position.



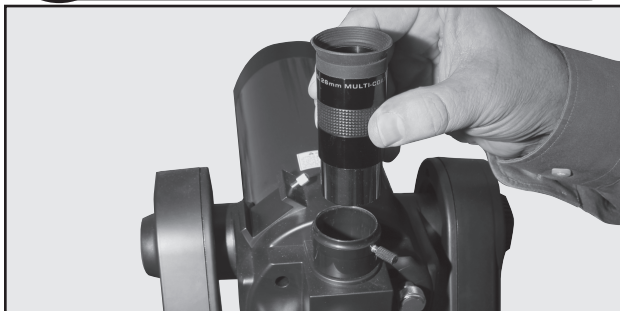
STEP 5 Roughly level the OTA and lock the vertical and horizontal lock knobs. Tighten the locks to a firm feel only.



STEP 6 With the power off, connect the coil cord to the AudioStar and Control Panel of the mount. If using external 12v 5A power, connect it now.



STEP 7 Insert the eyepiece into the eyepiece holder and tighten the attachment thumbscrew. Do not overtighten.



STEP 8 Remove the front dust cover.

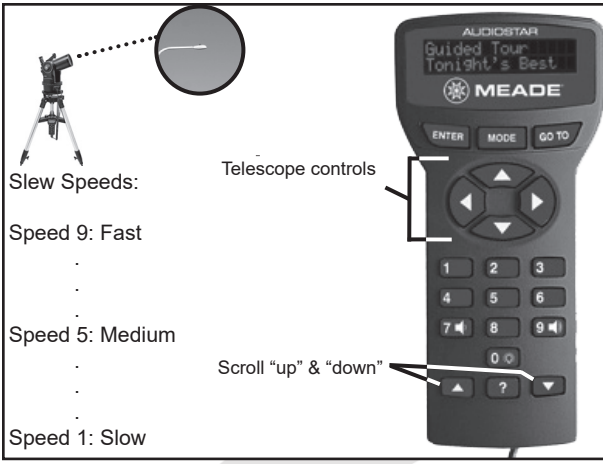


STEP 9 Flip the power switch to ON. AudioStar will prompt you with several questions then display "Press 0 for Align or MODE for Menu."

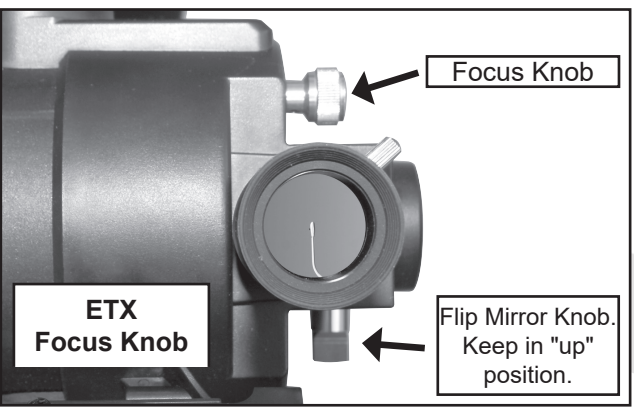


⚠ Looking at or near the Sun will cause irreversible damage to your eye. Do not point this telescope at or near the Sun without a proper solar filter attached.

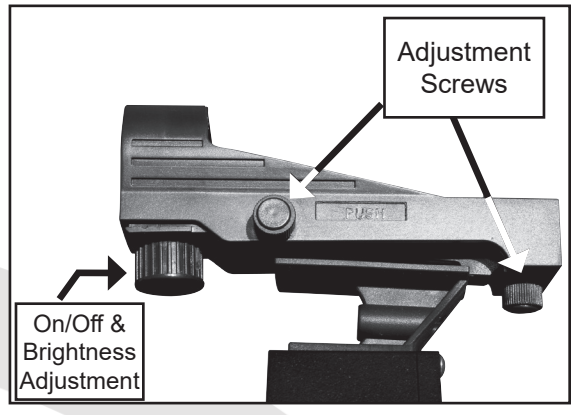
STEP 10 Control the telescope using the keypad and point at a distant object. Press a number key to change speed. *Note the telescope has physical limits of motion. Do not try to move the telescope past these limits or internal damage to the telescope may occur.



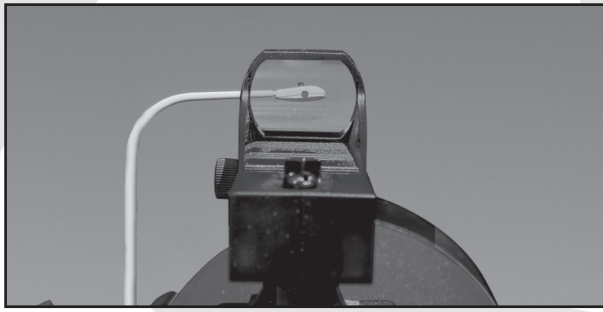
STEP 11 Center the distant object in the eyepiece.



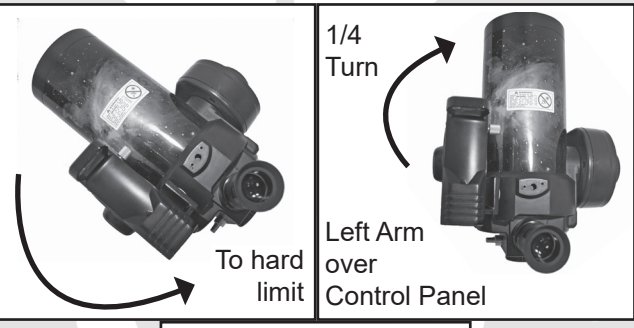
STEP 12 Turn on the red-dot finder. Note the location of the finder adjustment screws.



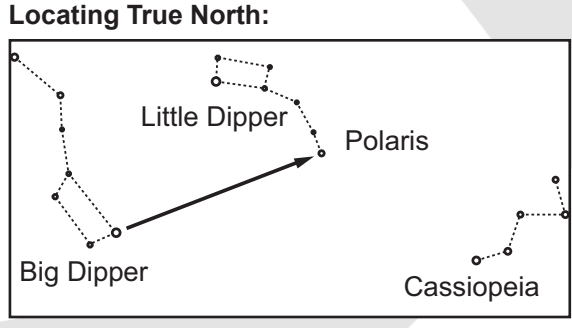
STEP 13 Use the red-dot finder adjustment screws to center the red-dot on the distant target that is in the eyepiece. Only use the adjustment screws during this procedure.



STEP 14 Unlock the horizontal lock. Rotate mount counterclockwise until it stops at the hard limit. Rotate 1/4 turn clockwise so left fork-arm is directly over the control panel. Lock horizontal lock to a firm feel. This position ensures the telescope will not hit the hardstops during operation.



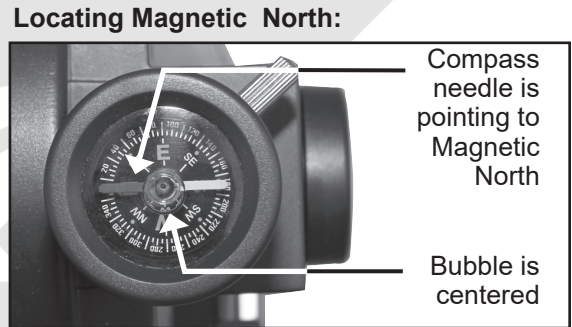
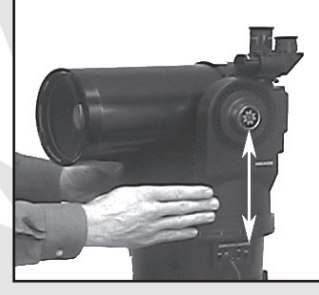
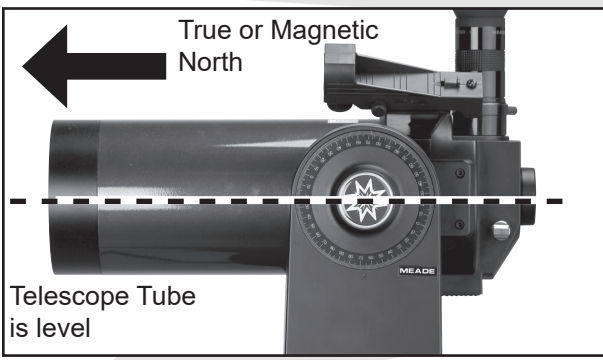
STEP 15 Locate True or Magnetic North using the methods described below.



Starting Home Position

STEP 16 Next point the telescope in the North direction you selected. This may require picking the entire telescope and moving it so the tube points North. Unlock the vertical lock and level the OTA. Then lock the vertical axis to a firm feel.

This is the telescopes **HOME POSITION**.



STEP 18 When performing an Easy alignment, when prompted, select 1 if you pointed the telescope toward TRUE North, or 2 if you pointed the telescope toward Magnetic North.

The telescope will slew to the first of two alignment stars and will emit an audible "beep" when it has finished slewing. Look through the red dot finder, a bright star should be in the field of view. It will be the brightest star in that area. Use the AudioStar arrow keys to put the red dot on the star.

Looking through the eyepiece, focus to see the object. Center that star, using the arrow keys. Press "ENTER" when completed. If an object obstructs the view of the sky, press the up or down scroll keys (Step 10) and AudioStar will slew to another alignment star.

Repeat for the second alignment star.

AudioStar will display "Alignment Successful" when you have successfully centered two alignment stars. The display then reads "Press 0 for tour or mode for menu". Press "0" and AudioStar will take you on a guided tour of the night sky.

STEP 17 **Align with AudioStar**
The handbook will show "Press 0 to Align, Mode for Menu" at startup.

Press "0" to perform a night sky alignment. Proceed to step 18 for more details. If you choose not to perform a night sky alignment now, you can at any time by navigating to the SETUP/ALIGN/EASY menu in AudioStar. Be sure to start with the ETX-AT mount in the HOME POSITION.

Press "MODE" to navigate AudioStars menus to set date, time, daylight savings, and location information. This will allow accurate go-to pointing and tracking.

Refer to the full ETX-AT instruction manual for more information about the usage of the AudioStar and its features.

<https://www.meade.com/content/etx-at-support-resources>

Meade Instruments Warranty

The Meade Instruments Statement of Limited Warranty is published at: www.meade.com/supports/warranty/

A printed copy of the Meade Statement of Limited Warranty will be made available by Meade upon written request. See below for Meade contact information.

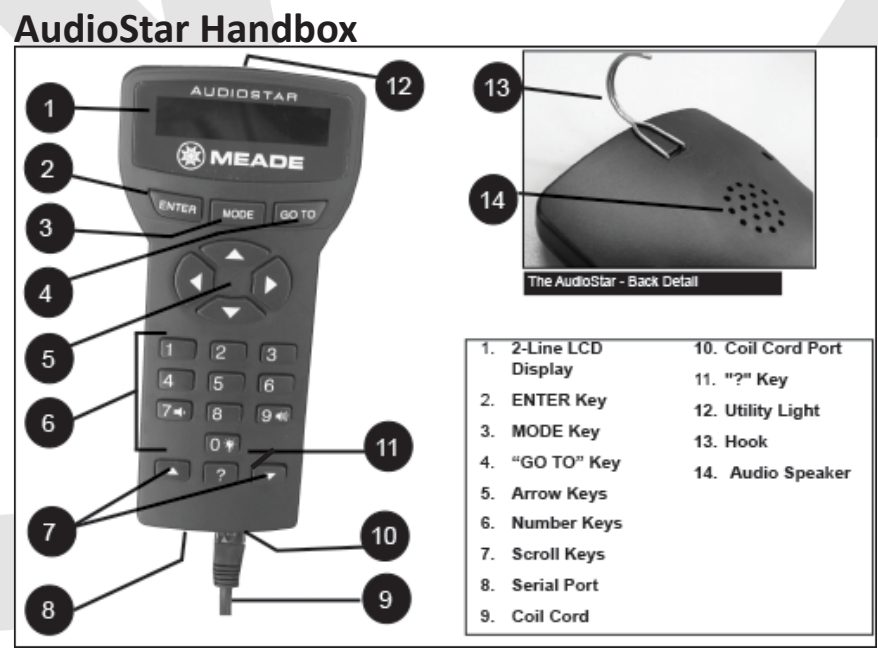
Warranty Claim

Meade Instruments

89 Hangar Way

Watsonville, CA 95076 U.S.A • +1 (800) 626-3233

customerservice@meade.com • SUBJECT: Warranty Claim



WARNING

THIS PRODUCT CONTAINS A BUTTON BATTERY

If swallowed, a lithium button battery can cause severe or fatal injuries within 2 hours.

Keep batteries out of reach of children.

If you think batteries may have been swallowed or placed inside any part of the body, seek immediate medical attention.

