



Digital camera · Digitalkamera ·

DeepSky Astro-Kamera 26MP

EN Instruction manual

DE Bedienungsanleitung

DE Besuchen Sie unsere Website über den folgenden QR Code oder Weblink um weitere Informationen zu diesem Produkt oder die verfügbaren Übersetzungen dieser Anleitung zu finden.

EN Visit our website via the following QR Code or web link to find further information on this product or the available translations of these instructions.

FR Si vous souhaitez obtenir plus d'informations concernant ce produit ou rechercher ce mode d'emploi en d'autres langues, rendez-vous sur notre site Internet en utilisant le code QR ou le lien correspondant.

NL Bezoek onze internetpagina via de volgende QR-code of weblink, voor meer informatie over dit product of de beschikbare vertalingen van deze gebruiksaanwijzing.

ES ¿Desearía recibir unas instrucciones de uso completas sobre este producto en un idioma determinado? Entonces visite nuestra página web utilizando el siguiente enlace (código QR) para ver las versiones disponibles.

IT Desidera ricevere informazioni esaustive su questo prodotto in una lingua specifica? Venga a visitare il nostro sito Web al seguente link (codice QR Code) per conoscere le versioni disponibili.



www.bresser.de/P0510540



GARANTIE · WARRANTY · GARANTÍA · GARANZIA



www.bresser.de/warranty_terms

RECYCLAGE (TRIMAN/France)



Points de collecte sur www.quefairedemesdechets.fr
Privilégiez la réparation ou le don de votre appareil !

| | |
|----------------------|-----------|
| English | 4 |
| Deutsch | 14 |

Contents

| | |
|--|-----------|
| 1 Imprint | 5 |
| 2 Validity note | 5 |
| 3 About this Instruction Manual..... | 5 |
| 4 Intended use | 5 |
| 5 General safety instructions | 6 |
| 6 Parts overview and scope of delivery | 8 |
| 7 Installing the software and drivers | 9 |
| 8 Camera mounting on telescope..... | 9 |
| 9 Using the internal USB HUB (USB 2.0)..... | 10 |
| 10 Camera mounting with optional autoguider | 10 |
| 11 Cleaning and maintenance | 11 |
| 12 Disposal | 11 |
| 13 EC declaration of conformity | 11 |
| 14 UKCA declaration of conformity | 11 |
| 15 Warranty | 11 |
| 16 Technical data | 12 |

1 Imprint

Bresser GmbH
Gutenbergstr. 2
46414 Rhede
Germany

www.explorescientific.de

For any warranty claims or service inquiries, please refer to the information on "Warranty" and "Service" in this documentation. We ask for your understanding that unsolicited returns cannot be processed.

Errors and technical changes excepted.

© 2022 Bresser GmbH

All rights reserved.

The reproduction of this documentation - even in extracts - in any form (e.g. photocopy, print, etc.) as well as the use and distribution by means of electronic systems (e.g. image file, website, etc.) without the prior written permission of the manufacturer is prohibited.

The designations and brand names of the respective companies used in this documentation are generally protected by trade, trademark and/or patent law in Germany, the European Union and/or other countries.

2 Validity note

This documentation is valid for the products with the following article numbers:

0510540

Manual version: 1022

Manual designation:

Manual_0510540_DeepSky-Astro-Kamera-26MP_en-de_EXPSC_v102022a

Always provide information when requesting service.

3 About this Instruction Manual



NOTICE

These operating instructions are to be considered a component of the device.

Read the safety instructions and the instruction manual carefully before using this device.

Keep these instruction manual in a safe place for future reference. If the device is sold or passed on, the instruction manual must be passed on to any subsequent owner/user of the product.

4 Intended use

- This device is not intended for use by persons (including children) with impaired physical, sensory or mental abilities, or for lack of experience and/or knowledge, unless they are supervised by or have received instructions from a person responsible for their safety on how to use this device.
- This device is for personal use only.
- The device was developed as an electronic accessory and may only be used to connect and operate the devices for private use described in this manual.

5 General safety instructions



DANGER

Risk of an electric shock!

This device contains electronic parts that are powered by a power source (AC adapter and/or batteries). Improper use of this product may result in electric shock. Electric shock can cause serious or fatal injuries. It is therefore imperative that you observe the following safety information.

- Check this device, cables and connections for damage before use.
- Never use the device with defective or damaged components (e.g. housing, cable, lamp, etc.).
- Do not expose the device to high temperatures. Use only the supplied AC adapter. Do not short-circuit the device or batteries or dispose of in fire! Excessive heat and improper handling can cause short circuits, fires and even explosions!
- Operate the device only in a completely dry environment and do not touch the device with wet or damp body parts.
- Place your device so that it can be disconnected from the power supply at any time. The power outlet should always be near your appliance and should be easily accessible, as the plug of the power cord serves as a disconnect device from the mains supply.
- To disconnect the unit from the mains, always pull the mains plug and never pull the cable!
- Disconnect the power supply by pulling the mains plug when the appliance is not in use, in case of a longer interruption of operation and before any maintenance and cleaning work.



DANGER

Risk of blindness!

Never use this device to look directly at the sun or in the direct proximity of the sun. There is a risk of BLINDNESS!



NOTICE

Danger of material damage!

Improper handling may result in damage to the unit and/or accessories. Therefore, use the device only in accordance with the following safety information.

- Do not disassemble the device! In the event of a defect, please contact your dealer. They will contact the Service Center and can arrange the return of this device for repair if necessary.
- For the normal operation as intended, only use the supplied cables and connect them as described in the manual.



NOTICE

Risk of voltage damage!

Only use the included power adapter for power supply! The use of other unsuitable power sources or those not authorized by the manufacturer may result in damage to the camera and will void the warranty.



NOTICE

Risk of overheating!

Always keep the ventilation slits of the thermoelectric cooling system free! Covering these slits will reduce cooling performance and may cause overheating and damage to the camera.



NOTICE

Risk of material damage due to solar radiation!

Do not expose the camera sensor to direct sunlight. When photographing the sun, always use sun filters specially designed for this purpose. Unfiltered sunlight will cause damage to the camera within a very short time.



NOTICE

Danger of data loss!

Do not interrupt an on-going data connection to a computer before all data has been transferred. This could lead to data loss for which the manufacturer is not liable.



NOTICE

Privacy Protection

Respect the privacy of your fellow human beings - do not look into flats with this device, for example!



NOTICE

Use of the maximum transmission speed rate

To use the full transmission speed rate, please use the included USB 3.0 connection cable and a corresponding computer interface.

6 Parts overview and scope of delivery

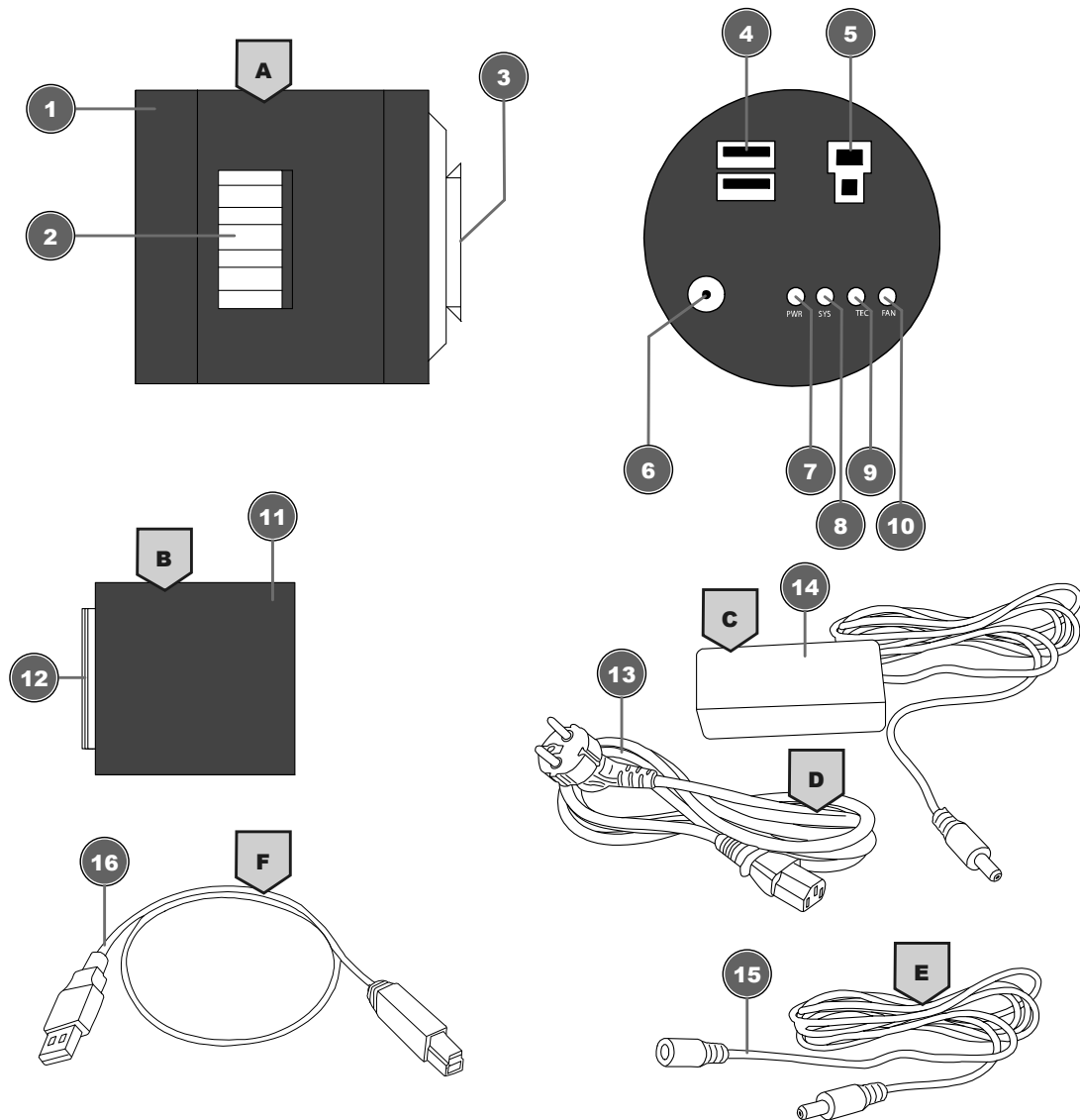


Illustration 1: All parts of the Astro camera with rear view (connection area)

| | |
|---|---|
| 1 Camera housing | 2 Ventilation slits |
| 3 Holding thread | 4 USB 2.0 socket (2x USB HUB) |
| 5 USB 3.0 socket (1x) | 6 Connection socket for DC barrel connector |
| 7 PWR function light (power supply of the camera established) | 8 SYS function light (USB connection established) |
| 9 TEC function light (cooling system enabled) | 10 FAN function light (fan enabled) |
| 11 T2 adapter (50,8mm/2" plug diameter) | 12 Connection thread |
| 13 Mains power cable with Euro plug and C13 coupling | 14 Mains power adapter 12V/3A with power cable, DC barrel connector and C13 connection socket |
| 15 Power cable extension with barrel connector coupling and DC barrel connector | 16 USB 3.0 connection cable (connection to computer) |

Scope of delivery:

Camera (A); T2 adapter (B); power adapter (C); power cable (D); power cable extension (E); USB 3.0 connection cable (F); software CD; hardcase

Also required (not included):

Computer running Windows 8/10

NOTICE! This is not a stand-alone camera. A computer with Windows operating system and free USB 3.0 interface is required for operation.

7 Installing the software and drivers

1. Insert the supplied CD-ROM into the CD drive of your computer. Alternatively, you can download the software package from the product page and start the installation directly. The files are stored under the category 'Software'. The link/QR code to the product page can be found on the second page of this manual.
2. Install the 'EXPLORE Capture' software. This will also install the camera drivers automatically.
3. Remove the rubber cover of the CMOS sensor on the camera and connect it to your telescope. The connection can be made directly via T2 thread (M42x0.75mm) or via 2" (50.8mm) plug-in adapter. Always ensure that the camera is securely attached.
4. Connect the supplied AC adapter to the camera.
5. Connect the camera to the computer. Use the USB 3.0 connection cable and a corresponding free USB 3.0 interface on the computer for this purpose.
6. Start the EXPLORE Capture software after successful installation.
7. Select the connected camera in the EXPLORE Capture software menu.

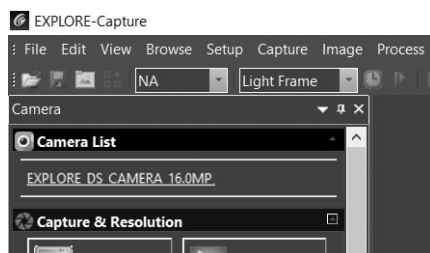


Illustration 2: EXPLORE Capture: Select camera

8. The camera now continuously sends live images to the computer at the current exposure time.
9. Use the telescope viewfinder to adjust and focus on a bright star in the field of view of the camera. To obtain a faster frame rate and a higher camera sensitivity during focusing, switch to binning mode if necessary (see software menu "Digital Binning").
10. After successful focusing, you can start recording images or video sequences.

8 Camera mounting on telescope

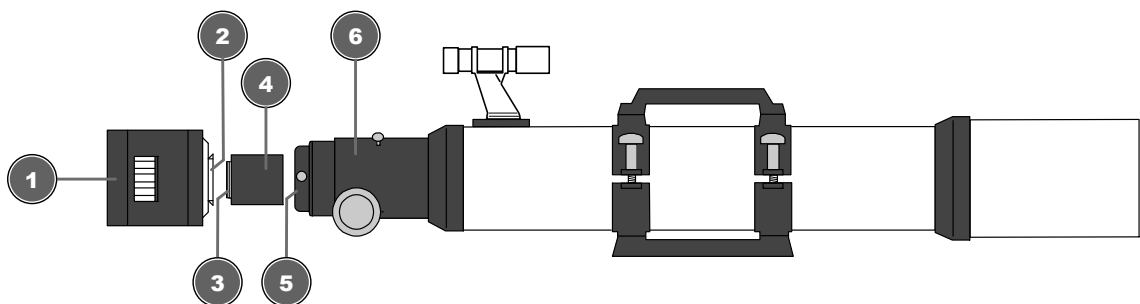


Illustration 3: Mounting the camera on a telescope

- | | |
|-------------------------------|--------------------------|
| 1 Camera housing | 2 Holding thread |
| 3 Connection thread | 4 50.8mm (2") T2 adapter |
| 5 50.8mm (2") eyepiece holder | 6 Eyepiece extension |

9 Using the internal USB HUB (USB 2.0)

The camera is equipped with an built-in USB HUB with 2x USB 2.0 sockets at the rear. This can be used to connect additional components (e.g. autoguider camera, motor focus etc.). Separate cable connections of the accessories to the computer are omitted.

NOTICE! The use of short cable connections is recommended to reduce the risk of 'cable spaghetti' and cable breakage.

10 Camera mounting with optional autoguider

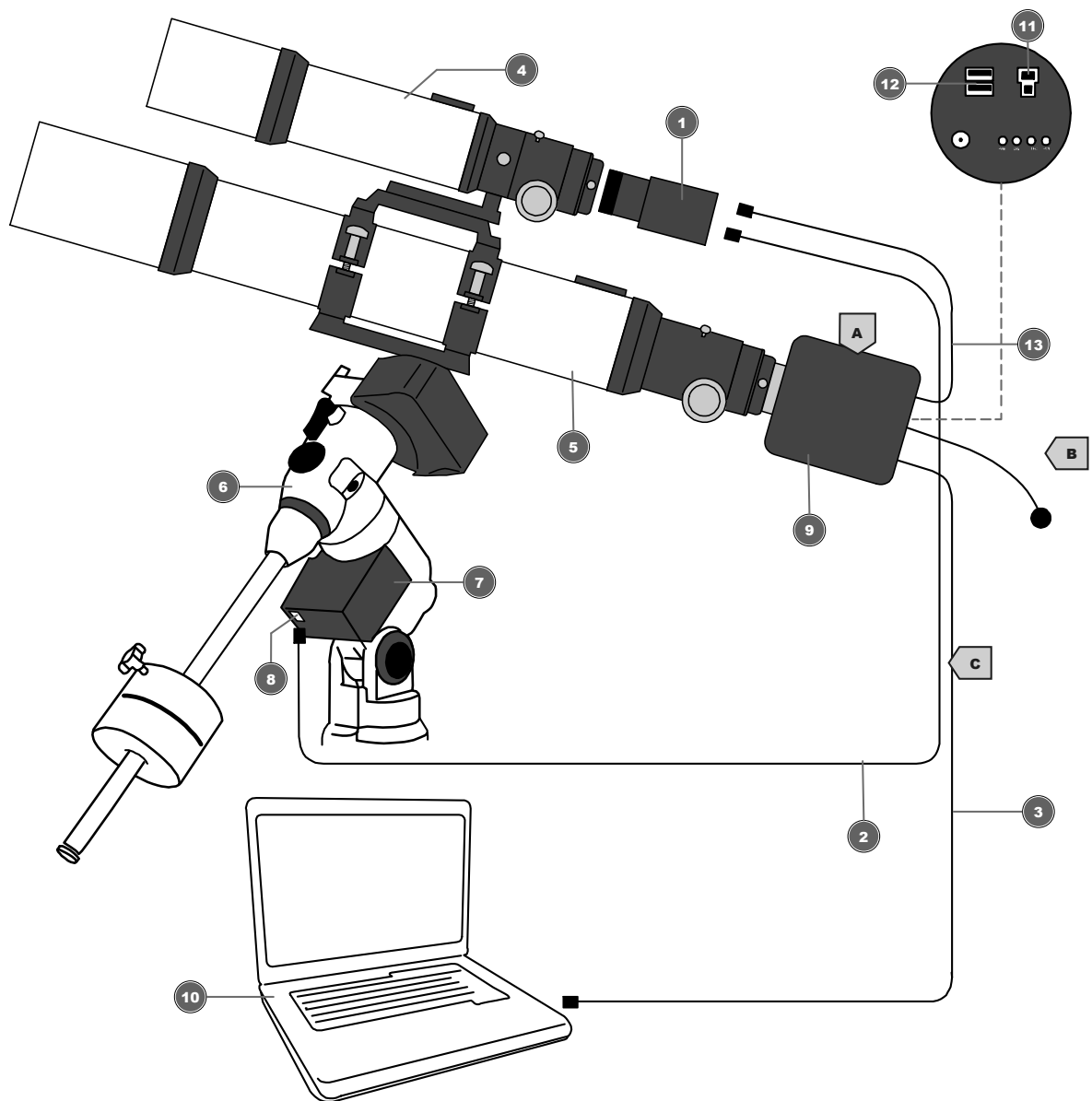


Illustration 4: Mounting the Deep Sky Astro Camera with optional autoguider camera¹

- | | |
|----------------------------------|------------------------------|
| 1 Autoguider camera ¹ | 2 ST4 connecting cable |
| 3 USB 3.0 connecting cable | 4 Guiding scope ¹ |

| | |
|---|--|
| 5 Telescope ¹ | 6 ST4-capable mount ¹ |
| 7 Control panel of the mount ¹ | 8 ST4 socket on control panel ¹ |
| 9 Deep Sky Astro Camera | 10 Computer ¹ |
| 11 USB 3.0 socket on the camera | 12 USB 2.0 socket on the camera |
| 13 USB 2.0 connecting cable ¹ | |

¹optional accessories; not included

NOTICE! This is not a stand-alone camera. A computer with Windows operating system is required for both, photography and autoguiding.

11 Cleaning and maintenance

- Before cleaning the device, disconnect it from the power supply (remove plug or remove batteries)!
- Only clean the device externally using a dry cloth. Do not use cleaning solution to prevent damage to the electronic parts.

12 Disposal



Dispose of the packaging materials according to its type. Information on proper disposal can be obtained from the municipal waste disposal service provider or environmental agency.



Do not dispose of electronic devices in the household garbage!

According to the European Directive 2012/19/EU on Waste Electrical and Electronic Equipment and its transposition into national law, used electrical equipment must be collected separately and recycled in an environmentally sound manner.

13 EC declaration of conformity



A "Declaration of conformity" in accordance with the applicable directives and corresponding standards has been prepared by Bresser GmbH. The full text of the EC declaration of conformity is available at the following Internet address: www.bresser.de/download/0510540/CE/0510540_CE.pdf

14 UKCA declaration of conformity



A "Declaration of Conformity" in accordance with the applicable directives and relevant standards has been issued by Bresser GmbH. The full text of the UKCA Declaration of Conformity is available at the following web address: www.bresser.de/download/0510540/UKCA/0510540_UKCA.pdf

Bresser UK Ltd. • Suite 3G, Eden House, Enterprise Way, Edenbridge, Kent TN8 6HF, Great Britain

15 Warranty

The regular warranty period is 2 years and starts on the day of purchase. For full warranty terms and services, please visit www.bresser.de/warranty_terms.

16 Technical data

| | |
|--|--|
| Art.No.: | 0510540 |
| Camera type/model: | ASTRO camera 26.0MP/ATR3CMOS26000KPA |
| Data output: | Images and videos |
| Image sensor: | Sony IMX571 CMOS color sensor |
| Adjustable resolution in pixels: | 5224x4168 / 3104x2084 / 1064x1386 |
| Adjustable binning: | 1x1 / 2x2 / 3x3 |
| Frame rate per second (FPS): | 110 / 37.1 / 14.2 / 6.8 |
| Physical sensor size in pixels: | 6224 x 4168 |
| Megapixels: | 26 MP |
| Sensor size: | 23.48 x 15.67 mm (1/8 inch) |
| Pixel size: | 3.76 µm x 3.76 µm |
| Bit depth: | 8 / 16 bit |
| Flange focal length: | 17.5 mm |
| Shutter type: | Global Shutter |
| Internal camera memory: | DDR 3 RAM |
| Thermoelectric cooling with fan: | Yes, up to 40°C below ambient temperature |
| Adjustable exposure times: | 150 µs to 60 min |
| Operating temperature: | -10 to +50°C (30 to 80% rH) |
| Cable length USB 3.0: | 150 cm |
| DC power cable length: | 200 cm |
| Housing | CNC machined aluminium housing |
| Camera size: | Diam.: 80 mm; length: 102 mm |
| Camera weight: | approx. 530 g |
| Camera port diameter: | 2.0 inch (50.8 mm) |
| Camera connection thread: | T2 (M42x0,75mm) |
| Filter thread: | Yes, 2 inch in receptacle |
| Camera connection to PC: | USB 3.0 |
| Built-in USB hub: | Yes, with 2 x USB 2.0 ports |
| Power supply: | Power adapter 12V/3.0A (incl.) |
| Software: | EXPLORE Capture (incl.) |
| Driver: | for camera and ASCOM (incl.) |
| Operating system: | WINDOWS 10 and 11 |
| PC requirements: | Processor with Intel Core2 2.8 GHz or higher / 2 GB RAM / free USB 3.0 interface |
| Field of view for different focal lengths in arc minutes and degrees: | |
| 400 mm | 201' x 135' (3.4 x 2.3 degrees) |
| 500 mm | 161' x 108' (2.7 x 1.8 degrees) |
| 600 mm | 134' x 90' (2.2 x 1.5 degrees) |
| 700 mm | 115' x 77' (1.9 x 1.3 degrees) |
| 800 mm | 100' x 67' (1.7 x 1.1 degrees) |
| 900 mm | 89' x 60' (1.5 x 1.0 degrees) |
| 1000 mm | 80' x 54' (1.3 x 0.9 degrees) |
| 1250 mm | 64' x 43' (1.1 x 0.7 degrees) |
| 1500 mm | 53' x 36' (0.9 x 0.6 degrees) |

1750 mm

46' x 31' (0.8 x 0.5 degrees)

2000 mm

40' x 27' (0.7 x 0.4 degrees)

Inhaltsverzeichnis

| | |
|--|-----------|
| 1 Impressum | 15 |
| 2 Gültigkeitshinweis..... | 15 |
| 3 Zu dieser Anleitung..... | 15 |
| 4 Verwendungszweck | 15 |
| 5 Allgemeine Sicherheitshinweise..... | 16 |
| 6 Teileübersicht und Lieferumfang..... | 18 |
| 7 Software und Treiber installieren | 19 |
| 8 Kamera-Montage am Fernrohr | 20 |
| 9 Nutzung des internen USB-HUB (USB 2.0) | 20 |
| 10 Kamera-Montage mit optionalem Autoguider | 21 |
| 11 Reinigung und Wartung..... | 22 |
| 12 Entsorgung | 22 |
| 13 EG-Konformitätserklärung | 22 |
| 14 Garantie..... | 22 |
| 15 Technische Daten..... | 22 |

1 Impressum

Bresser GmbH
Gutenbergstr. 2
46414 Rhede
Germany

www.explorescientific.de

Für etwaige Gewährleistungsansprüche oder Serviceanfragen verweisen wir auf die Informationen zu „Garantie“ und „Service“ in dieser Dokumentation. Wir bitten um Verständnis, dass unaufgeforderte Rücksendungen nicht bearbeitet werden können.

Irrtümer und technische Änderungen vorbehalten.

© 2022 Bresser GmbH

Alle Rechte vorbehalten.

Die Reproduktion dieser Dokumentation – auch auszugsweise – in irgendeiner Form (z.B. Fotokopie, Druck, etc.) sowie die Verwendung und Verbreitung mittels elektronischer Systeme (z.B. Bilddatei, Website, etc.) ohne eine vorherige schriftliche Genehmigung des Herstellers ist nicht gestattet.

Die in dieser Dokumentation verwendeten Bezeichnungen und Markennamen der jeweiligen Firmen sind im Allgemeinen in Deutschland, der Europäischen Union und/oder weiteren Ländern waren-, marken- und/oder patentrechtlich geschützt.

2 Gültigkeitshinweis

Diese Dokumentation ist gültig für die Produkte mit den nachfolgend aufgeführten Artikelnummern:
0510540

Anleitungsversion: 1022

Bezeichnung dieser Anleitung:

Manual_0510540_DeepSky-Astro-Kamera-26MP_en-de_EXPSC_v102022a

Informationen bei Serviceanfragen stets angeben.

3 Zu dieser Anleitung



HINWEIS

Diese Bedienungsanleitung ist als Teil des Gerätes zu betrachten!

Lesen Sie vor der Benutzung des Geräts aufmerksam die Sicherheitshinweise und die Bedienungsanleitung.

Bewahren Sie diese Bedienungsanleitung für die erneute Verwendung zu einem späteren Zeitpunkt auf. Bei Verkauf oder Weitergabe des Gerätes ist die Bedienungsanleitung an jeden nachfolgenden Besitzer/Benutzer des Produkts weiterzugeben.

4 Verwendungszweck

- Dieses Gerät ist nicht dafür bestimmt, durch Personen (einschließlich Kinder) mit eingeschränkten physischen, sensorischen oder geistigen Fähigkeiten oder mangels Erfahrung und/oder mangels Wissen benutzt zu werden, es sei denn, sie werden durch eine für ihre Sicherheit zuständige Person beaufsichtigt oder erhielten von ihr Anweisungen, wie das Gerät zu benutzen ist.
- Dieses Gerät dient ausschließlich der privaten Nutzung.

- Es wurde entwickelt als elektronisches Zubehörteil zum ausschließlichen Anschluss und Betrieb an in dieser Anleitung beschriebenen privat genutzten Geräten.

5 Allgemeine Sicherheitshinweise



GEFAHR

Gefahr eines Stromschlags!

Dieses Gerät beinhaltet Elektronikteile, die über eine Stromquelle (Netzteil und/oder Batterien) betrieben werden. Bei unsachgemäßer Verwendung dieses Produkts besteht die Gefahr eines Stromschlags. Ein Stromschlag kann zu schweren bis tödlichen Verletzungen führen. Beachten Sie daher unbedingt die nachfolgenden Sicherheitsinformationen.

- Überprüfen Sie das Gerät, die Kabel und Anschlüsse vor Inbetriebnahme auf Beschädigungen.
- Betreiben Sie das Gerät niemals mit defekten oder beschädigten Bauteilen (z.B. Gehäuse, Kabel, Lampe o.ä.).
- Setzen Sie das Gerät keinen hohen Temperaturen aus. Benutzen Sie nur das mitgelieferte Netzteil. Gerät nicht kurzschließen oder ins Feuer werfen! Durch übermäßige Hitze und unsachgemäße Handhabung können Kurzschlüsse, Brände und sogar Explosionen ausgelöst werden!
- Betreiben Sie das Gerät nur in vollkommen trockener Umgebung und berühren Sie das Gerät nicht mit nassen oder feuchten Körperteilen.
- Platzieren Sie Ihr Gerät so, dass es jederzeit vom Stromnetz getrennt werden kann. Die Netzsteckdose sollte sich immer in der Nähe Ihres Geräts befinden und gut zugänglich sein, da der Stecker des Netzkabels als Trennvorrichtung zum Stromnetz dient.
- Um das Gerät vom Stromnetz zu trennen, ziehen Sie immer am Netzstecker und niemals am Kabel!
- Unterbrechen Sie die Stromzufuhr, wenn Sie das Gerät nicht benutzen, im Falle einer längeren Betriebsunterbrechung sowie vor allen Wartungs- und Reinigungsarbeiten, indem Sie den Netzstecker ziehen.



GEFAHR

Erblickungsgefahr!

Schauen Sie niemals direkt in die Sonne oder in die Nähe der Sonne. Es besteht akute ERBLINDUNGSGEFAHR!



HINWEIS

Gefahr von Sachschäden!

Bei unsachgemäßer Handhabung können das Gerät und/oder die Zubehörteile beschädigt werden. Verwenden Sie das Gerät deshalb nur entsprechend den nachfolgenden Sicherheitsinformationen.

- Bauen Sie das Gerät nicht auseinander! Wenden Sie sich im Falle eines Defekts an Ihren Fachhändler. Er nimmt mit dem Service-Center Kontakt auf und kann das Gerät ggf. zwecks Reparatur einschicken.
- Für den bestimmungsgemäßen Betrieb nur die mitgelieferten Kabel verwenden und wie in der Anleitung beschrieben anschließen.



HINWEIS

Gefahr eines Spannungschadens!

Benutzen Sie zur Spannungsversorgung ausschließlich das im Lieferumfang enthaltene Netzteil! Die Verwendung anderer nicht geeigneter oder vom Hersteller nicht autorisierter Spannungsquellen kann zu einer Beschädigung der Kamera und zum Verlust der Garantie führen.



HINWEIS

Überhitzungsgefahr!

Die Lüftungsöffnungen der thermoelektrischen Kühlungssystems stets freihalten! Eine Abdeckung dieser Öffnungen führt zu einer verminderten Kühlleistung und kann zu einer Überhitzung und Beschädigung der Kamera führen.



HINWEIS

Gefahr von Sachschäden durch Sonneneinstrahlung!

Den Sensor der Kamera keiner direkten Sonnenstrahlung aussetzen. Bei Fotografie der Sonne immer speziell dafür geeignete Sonnenfilter einsetzen. Ungefiltertes Sonnenlicht führt innerhalb kürzester Zeit zu Schäden an der Kamera.



HINWEIS

Gefahr eines Datenverlustes!

Unterbrechen Sie niemals eine bestehende Datenverbindung zum Computer bevor Sie alle Daten übertragen haben. Durch eine Unterbrechung kann es zu Datenverlusten kommen, für die der Hersteller keine Haftung übernimmt!



HINWEIS

Schutz der Privatsphäre

Achten Sie die Privatsphäre Ihrer Mitmenschen – schauen Sie mit diesem Gerät zum Beispiel nicht in Wohnungen!



HINWEIS

Nutzung der maximalen Übertragungsgeschwindigkeit

Zur Nutzung der vollen Übertragungsgeschwindigkeit benutzen Sie bitte das beiliegende USB 3.0 Verbindungskabel und eine entsprechende Computerschnittstelle.

6 Teileübersicht und Lieferumfang

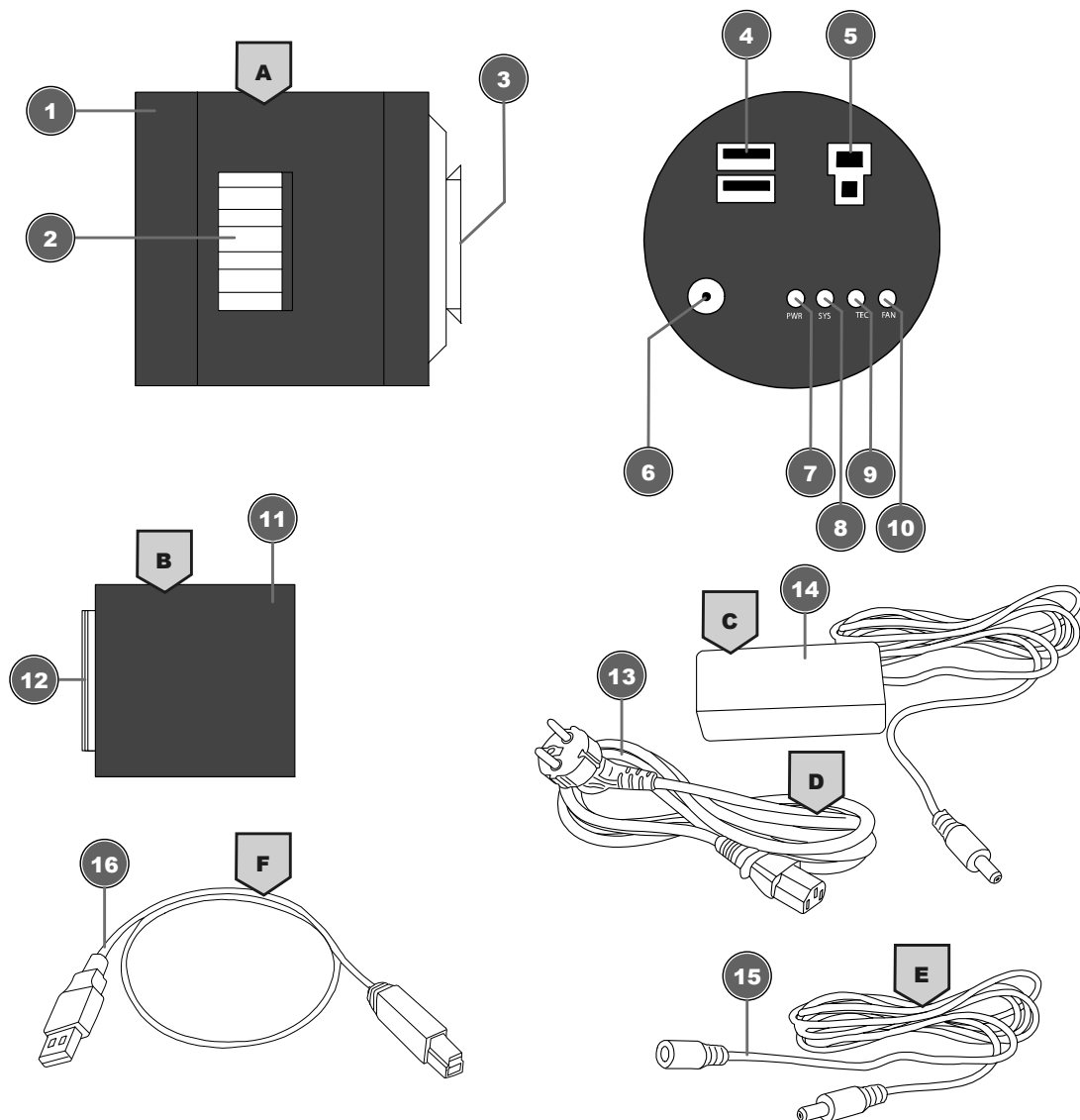


Abb. 1: Alle Teile der Astro-Kamera mit Rückansicht (Anschlussbereich)

| | |
|--|--|
| 1 Kamera-Gehäuse | 2 Lüftungsslitze |
| 3 Aufnahmegewinde | 4 USB 2.0-Anschluss (2x USB-HUB) |
| 5 USB 3.0-Anschluss (1x) | 6 Anschlussbuchse für DC-Hohlstecker |
| 7 PWR-Funktionsleuchte (Spannungsversorgung der Kamera hergestellt) | 8 SYS-Funktionsleuchte (USB-Verbindung hergestellt) |
| 9 TEC-Funktionsleuchte (Kühlung aktiv) | 10 FAN-Funktionsleuchte (Lüfter aktiv) |
| 11 T2-Adapter (50,8mm/2" Steckdurchmesser) | 12 Anschlussgewinde |
| 13 Netzkabel mit Euro-Stecker und C13-Kupplung | 14 Netzadapter 12V/3A mit Spannungskabel, DC-Hohlstecker und C13-Anschlussbuchse |
| 15 Spannungskabel-Verlängerung mit Hohlstecker-Kupplung und DC-Hohlstecker | 16 USB 3.0-Verbindungskabel (Anschluss an Computer) |

Lieferumfang:

Kamera (A); T2-Adapter (B); Netzadapter (C); Spannungskabel (D); Spannungskabel-Verlängerung (E); USB 3.0-Verbindungskabel (F) Software-CD; Hardcase

Außerdem erforderlich (nicht im Lieferumfang enthalten):

Computer mit Windows 8/10

HINWEIS! Dies ist keine Stand-alone-Kamera. Für den Betrieb ist ein Computer mit Windows-Betriebssystem und freier USB 3.0 Schnittstelle erforderlich.

7 Software und Treiber installieren

1. Legen Sie die im Lieferumfang enthaltene CD-ROM in das CD-Laufwerk Ihres Computers ein. Alternativ können Sie das Software-Paket auch von der Produktseite herunterladen und die Installation direkt starten. Die Dateien sind unter der Rubrik ‚Software‘ hinterlegt. Den Link/QR-Code zur Produktseite finden auf der zweiten Seite dieser Bedienungsanleitung.
2. Installieren Sie die Software ‚EXPLORE Capture‘. Hiermit werden auch die Kamera-Treiber automatisch installiert.
3. Entfernen Sie die Gummi-Abdeckung des CMOS-Sensors an der Kamera und verbinden diese mit Ihrem Teleskop. Die Verbindung kann direkt per T2-Gewinde (M42x0.75mm) oder per 2“ (50.8mm) Steckadapter erfolgen. Achten Sie stets auf eine sichere Befestigung der Kamera.
4. Das im Lieferumfang enthaltene Netzteil an die Kamera anschließen.
5. Die Kamera mit dem Computer verbinden. Hierfür das im Lieferumfang enthaltene USB 3.0 Verbindungskabel und eine entsprechende freie USB 3.0 Schnittstelle am Computer verwenden.
6. Die EXPLORE Capture Software nach erfolgreicher Installation starten.
7. Im Menü der EXPLORE Capture Software die angeschlossene Kamera wählen.

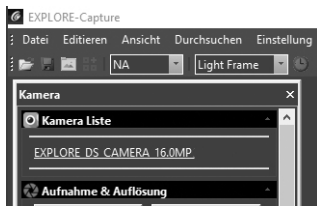


Abb. 2: EXPLORE Capture: Kamera wählen

8. Die Kamera sendet nun kontinuierlich Live-Bilder mit der aktuell eingestellten Belichtungszeit an den Computer.
9. Per Sucherfernrohr des Teleskops einen hellen Stern im Bildfeld der Kamera einstellen und scharfstellen. Um eine schnellere Bildfolge und eine höhere Kameraempfindlichkeit während der Fokussierung zu erhalten, ggf. in den Binning-Modus wechseln (siehe Software-Menü „Digital Binning“).
10. Nach erfolgreicher Fokussierung kann mit der Aufnahme von Einzelbildern oder Videosequenzen begonnen werden.

8 Kamera-Montage am Fernrohr

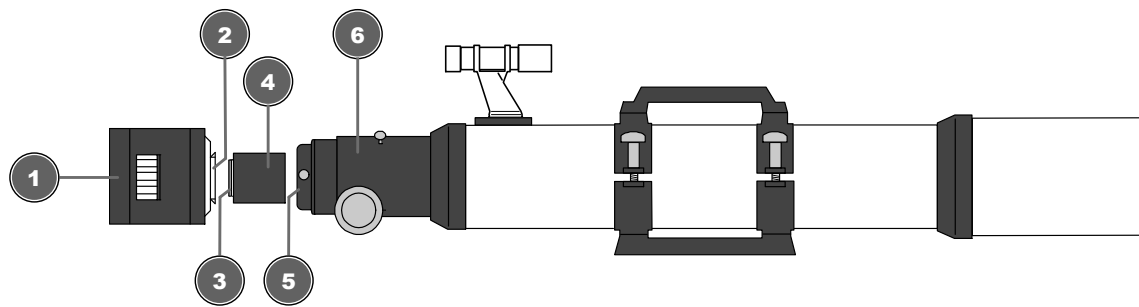


Abb. 3: Montage der Kamera am Fernrohr

| | |
|------------------------------|--------------------------|
| 1 Kamera-Gehäuse | 2 Aufnahmegevinde |
| 3 Anschlussgewinde | 4 50,8mm (2") T2-Adapter |
| 5 50,8mm (2") Okularaufnahme | 6 Okularauszug |

9 Nutzung des internen USB-HUB (USB 2.0)

Die Kamera besitzt an der Rückseite einen eingebauten USB-HUB mit 2x USB 2.0-Anschlüssen. Hierüber können eine zusätzliche Komponenten (z.B. Autoguider-Kamera, Motor-Fokussier etc.) per angeschlossen werden. Separate Kabelverbindungen der Zubehörteile zum Computer entfallen.

HINWEIS! Die Verwendung kurzer Kabelverbindungen wird empfohlen, um die Gefahr von 'Kabelsalat' und Kabelbrüchen zu verringern.

10 Kamera-Montage mit optionalem Autoguider

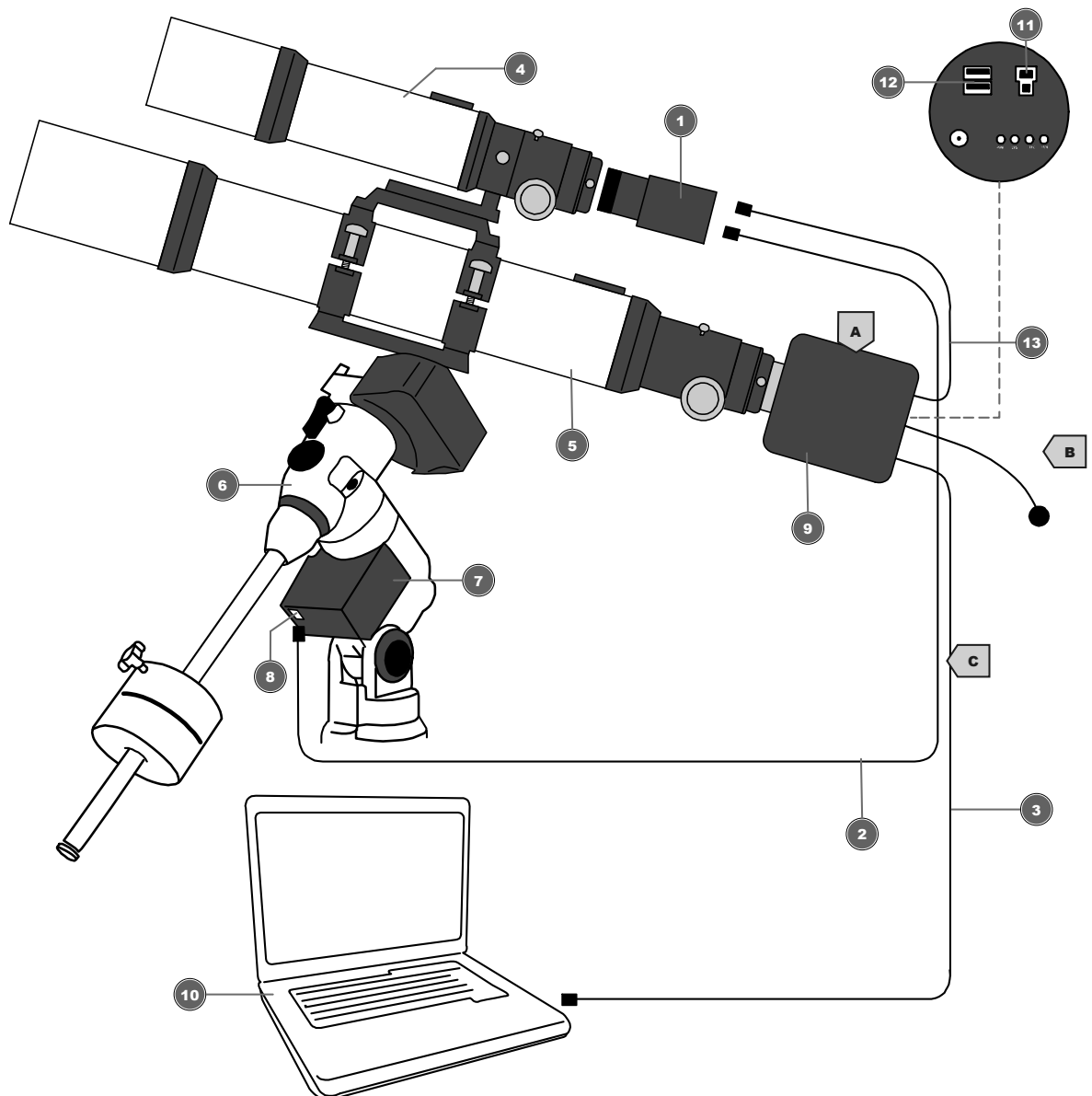


Abb. 4: Montage der Deep Sky Astro-Kamera mit optionaler Autoguider-Kamera¹

| | |
|---|--|
| 1 Autoguider-Kamera ¹ | 2 ST4-Verbindungskabel |
| 3 USB 3.0-Verbindungskabel | 4 Leitrohr ¹ |
| 5 Fernrohr ¹ | 6 ST4-fähige Montierung ¹ |
| 7 Control Panel der Montierung ¹ | 8 ST4-Port am Control Panel ¹ |
| 9 Deep Sky Astro-Kamera | 10 Computer ¹ |
| 11 USB 3.0-Port an der Kamera | 12 USB 2.0-Port an der Kamera |
| 13 USB 2.0-Verbindungskabel ¹ | |

¹optional Zubehör; nicht im Lieferumfang enthalten

HINWEIS! Dies ist keine Stand-alone-Kamera. Sowohl für die Fotografie als auch für das Autoguiding ist ein Computer mit Windows-Betriebssystem erforderlich.

11 Reinigung und Wartung

- Trennen Sie das Gerät vor der Reinigung von der Stromquelle (Netzstecker ziehen oder Batterien entfernen)!
- Reinigen Sie das Gerät nur äußerlich mit einem trockenen Tuch. Benutzen Sie keine Reinigungsflüssigkeit, um Schäden an der Elektronik zu vermeiden.

12 Entsorgung



Entsorgen Sie die Verpackungsmaterialien sortenrein. Informationen zur ordnungsgemäßen Entsorgung erhalten Sie beim kommunalen Entsorgungsdienstleister oder Umweltamt.



Werfen Sie Elektrogeräte nicht in den Hausmüll!

Gemäß der Europäischen Richtlinie 2012/19/EG über Elektro- und Elektronik-Altgeräte und deren Umsetzung in nationales Recht müssen verbrauchte Elektrogeräte getrennt gesammelt und einer umweltgerechten Wiederverwertung zugeführt werden.

13 EG-Konformitätserklärung



Eine „Konformitätserklärung“ in Übereinstimmung mit den anwendbaren Richtlinien und entsprechenden Normen ist von der Bresser GmbH erstellt worden. Der vollständige Text der EG-Konformitätserklärung ist unter der folgenden Internetadresse verfügbar:
www.bresser.de/download/0510540/CE/0510540_CE.pdf

14 Garantie

Die reguläre Garantiezeit beträgt 2 Jahre und beginnt am Tag des Kaufs. Die vollständigen Garantiebedingungen und Serviceleistungen können Sie unter www.bresser.de/garantiebedingungen einsehen.

15 Technische Daten

| | |
|--------------------------------------|---|
| Art.-Nr.: | 0510540 |
| Kamera-Typ/Modell: | ASTRO Kamera 26.0MP / ATR3CMOS26000K-PA |
| Datenausgabe: | Einzelbilder und Video |
| Bildsensor: | Sony IMX571 CMOS Farbsensor |
| Einstellbare Auflösung in Pixeln: | 5224x4168 / 3104x2084 / 1064x1386 |
| Einstellbares Binning: | 1x1 / 2x2 / 3x3 |
| Bildrate pro Sekunde (FPS): | 110 / 37,1 / 14,2 / 6,8 |
| Physikalische Sensorgröße in Pixeln: | 6224 x 4168 |
| Megapixel: | 26 MP |
| Sensorgröße: | 23,48 x 15,67 mm (1/8 Zoll) |
| Pixelgröße: | 3,76 µm x 3,76 µm |
| Bittiefe: | 8 / 16 Bit |

| | |
|---------------------------------------|--|
| Auflagemaß: | 17,5 mm |
| Verschlussart: | Global Shutter |
| Interner Kamera-Speicher: | DDR 3 RAM |
| Thermoelektrische Kühlung mit Lüfter: | ja, bis 40°C unter Umgebung |
| Einstellbare Belichtungszeiten: | 150 µs bis 60 min |
| Betriebstemperatur: | -10 bis +50°C (30-80% rH) |
| Kabellänge USB 3.0: | 150 cm |
| Kabellänge DC-Netzteil: | 200cm |
| Gehäuse: | CNC-gefertigtes Gehäuse aus Aluminium |
| Kameramaße: | Durchm.: 80mm; Länge: 102mm |
| Kameragewicht: | ca. 530 g |
| Kamera-Anschlussdurchmesser: | 2,0 Zoll (50,8mm) |
| Kamera-Anschlussgewinde: | T2 (M42x0,75mm) |
| Filtergewinde: | ja, 2 Zoll in Steckhülse |
| Kamera-Anschluss an PC: | USB 3.0 |
| Eingebauter USB Hub: | Ja, mit 2 x USB 2.0 Anschlüssen |
| Stromversorgung: | Netzteil 12V / 3,0A (inkl.) |
| Software: | EXPLORE Capture (inkl.) |
| Treiber: | für Kamera und ASCOM inkl. |
| Betriebssystem: | WINDOWS 10 und 11 |
| PC Anforderungen: | Prozessor mit Intel Core2 2.8GHz oder höher / 2 GB RAM / freie USB 3.0 Schnittstelle |

Gesichtsfelder für verschiedene Brennweiten in Bogenminuten und Grad:

| | |
|---------|----------------------------|
| 400 mm | 201'x135' (3,4 x 2,3 Grad) |
| 500 mm | 161'x108' (2,7 x 1,8 Grad) |
| 600 mm | 134'x90' (2,2 x 1,5 Grad) |
| 700 mm | 115'x77' (1,9 x 1,3 Grad) |
| 800 mm | 100'x67' (1,7 x 1,1 Grad) |
| 900 mm | 89'x60' (1,5 x 1,0 Grad) |
| 1000 mm | 80'x54' (1,3 x 0,9 Grad) |
| 1250 mm | 64'x43' (1,1 x 0,7 Grad) |
| 1500 mm | 53'x36' (0,9 x 0,6 Grad) |
| 1750 mm | 46'x31' (0,8 x 0,5 Grad) |
| 2000 mm | 40'x27' (0,7 x 0,4 Grad) |

Service

DE AT CH BE

Bei Fragen zum Produkt und eventuellen Reklamationen nehmen Sie bitte zunächst mit dem Service-Center Kontakt auf, vorzugsweise per E-Mail.

E-Mail: service@bresser.de
Telefon*: +49 28 72 80 74 210

BRESSER GmbH

Kundenservice
Gutenbergstr. 2
46414 Rhede
Deutschland

*Lokale Rufnummer in Deutschland (Die Höhe der Gebühren je Telefonat ist abhängig vom Tarif Ihres Telefonanbieters); Anrufe aus dem Ausland sind mit höheren Kosten verbunden.

GB IE

Please contact the service centre first for any questions regarding the product or claims, preferably by e-mail.

E-Mail: service@bresseruk.com
Telephone*: +44 1342 837 098

BRESSER UK Ltd.

Suite 3G, Eden House
Enterprise Way
Edenbridge, Kent TN8 6HF
Great Britain

*Number charged at local rates in the UK (the amount you will be charged per phone call will depend on the tariff of your phone provider); calls from abroad will involve higher costs.

FR BE

Si vous avez des questions concernant ce produit ou en cas de réclamations, veuillez prendre contact avec notre centre de services (de préférence via e-mail).

E-Mail: sav@bresser.fr
Téléphone*: 00 800 6343 7000

BRESSER France SARL

Pôle d'Activités de Nicopolis
314 Avenue des Chênes Verts
83170 Brignoles
France

*Prix d'un appel local depuis la France ou Belgique

NL BE

Als u met betrekking tot het product vragen of eventuele klachten heeft kunt u contact opnemen met het service centrum (bij voorkeur per e-mail).

E-Mail: info@bresserbenelux.nl
Telefoon*: +31 528 23 24 76

BRESSER Benelux

Smirnoffstraat 8
7903 AX Hoogeveen
The Netherlands

*Het telefoonnummer wordt in het Nederland tegen lokaal tarief in rekening gebracht. Het bedrag dat u per gesprek in rekening gebracht zal worden, is afhankelijk van het tarief van uw telefoon provider; gesprekken vanuit het buitenland zullen hogere kosten met zich meebrengen.

ES PT

Si desea formular alguna pregunta sobre el producto o alguna eventual reclamación, le rogamos que se ponga en contacto con el centro de servicio técnico (de preferencia por e-mail).

E-Mail: servicio.iberia@bresser-iberia.es
Teléfono*: +34 91 67972 69

BRESSER Iberia SLU

c/Valdemorillo, 1 Nave B
P.I. Ventorro del Cano
28925 Alcorcón Madrid
España

*Número local de España (el importe de cada llamada telefónica dependen de las tarifas de los distribuidores); Las llamadas desde el extranjero están ligadas a costes suplementarios..

Bresser GmbH
Gutenbergstraße 2
46414 Rhede · Germany
www.explorescientific.de

EXPLORE[®]
SCIENTIFIC