



CGX

GERMAN EQUATORIAL MOUNT SERIES TELESCOPES
INSTRUCTION MANUAL

Model #91530

TABLE OF CONTENTS

Introduction	5
System Requirements	5
Parts List	5
Overview	6
Assembly	8
Basic Usage	10
Polar Align the Mount	11
Precise Polar Alignment	12
Motion Range in Mount	12
Adjusting the Mount for Very High or Low Latitudes	13
USB Port	13
AUX Ports	13
Autoguide Port	13
NexStar+ Hand Control	14
Object Catalog	18
Slewing to an Object	18
Appendix A: Upgrading the Firmware in Your Mount and Hand Control	24
Appendix B: Care and Maintenance	25
Celestron Two Year Limited Warranty	26

Introduction



Warning

- Never look directly at the Sun with the naked eye or with a telescope (unless you have the proper solar filter). Permanent and irreversible eye damage may result.
- Never use your telescope to project an image of the Sun onto any surface. Internal heat build-up can damage the telescope and any accessories attached to it.
- Never use an eyepiece solar filter or a Herschel wedge. Internal heat build-up inside the telescope can cause these devices to crack or break, allowing unfiltered sunlight to pass through to the eye.
- Never leave the telescope unsupervised. Make sure an adult who is familiar with the correct operating procedures is with your telescope at all times, especially when children are present.

System Requirements

- The CGX requires 12 volts of DC power with at least 4 amperes of current. An AC to 12VDC 5A power supply is available from Celestron and includes a threaded barrel connector which is recommended. Portable 12 volt field batteries also make suitable power supplies. The mount includes a DC power cable with a cigarette lighter plug.
- The telescope must have a dovetail mounting bar that is either the CG-5/Vixen or CGE/Losmandy D format. CGX can fit either of these sizes on the dovetail saddle.
- For best performance, the total telescope payload should not exceed 55 lbs (25 kg), not including counterweights.
- Windows 7/10 for use with the telescope control software.
- USB cable with the standard A connector when plugged into the USB port on the mount (for PC use only).
- Phillips head screwdriver (optional, for gear adjustment only).

Parts List

Box 1: 91530-1 CGX Equatorial Mount

CGX Equatorial Mount Head
8mm Allen Wrench (captive in rear handle of mount)
Counterweight Shaft and Stop Nut
3 x 8mm socket hex head screws (attaches head to tripod)
12VDC Power Cable
NexStar+ Hand Control

Box 2: CGX Tripod and Counterweights

Tripod
2 x 5 kg (11 lbs.) counterweights
Accessory Tray
Tray knob and washer (threaded onto central column of tripod)

Overview

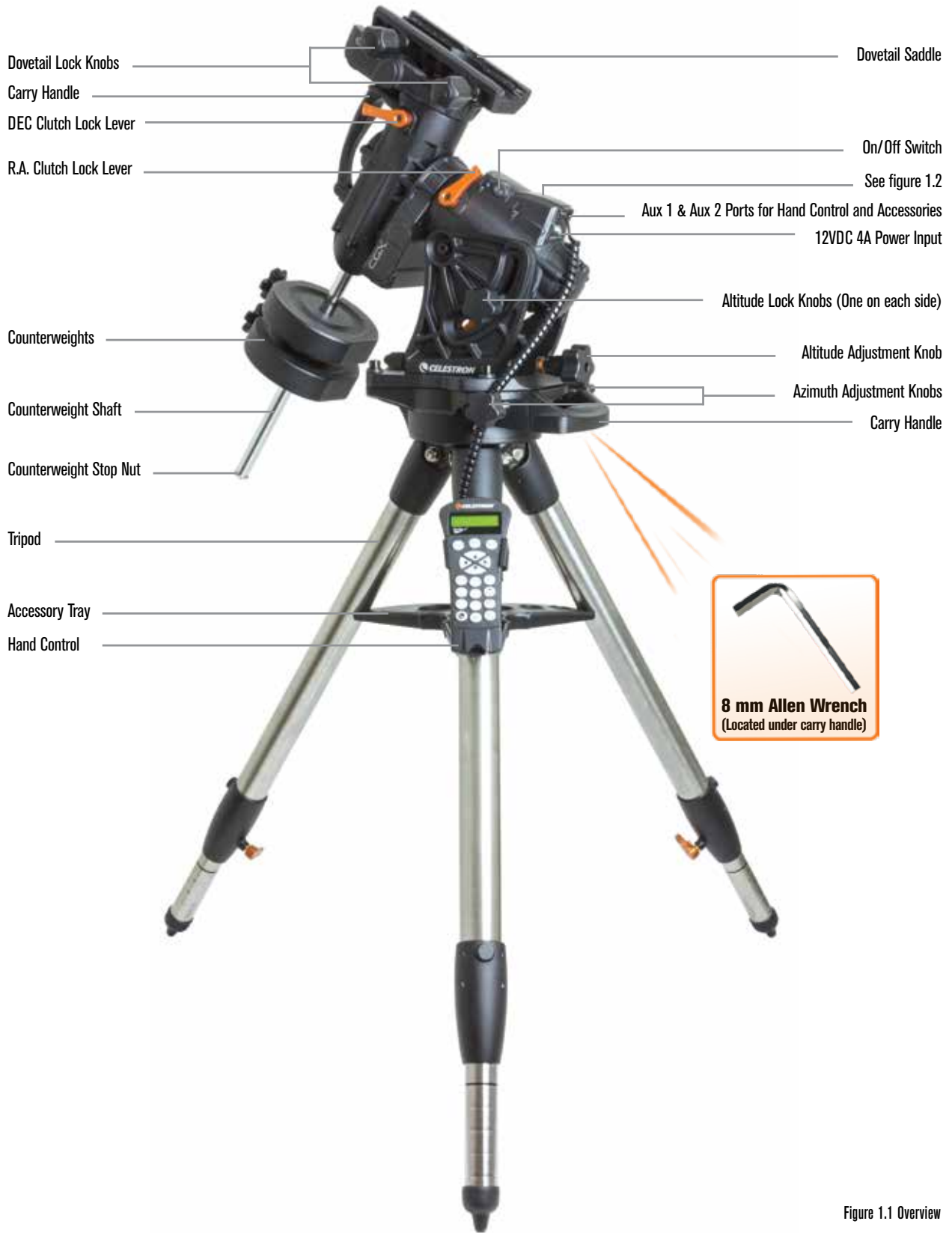


Figure 1.1 Overview

Autoguide Port
USB Port
Latitude Scale

Belt Drive Windows



Figure 1.2 Overview

Assembly

Unpack all of the contents and follow these steps to assemble your mount. If you purchased the CGX by itself, the tripod includes two 11 lbs. counterweights. If you purchased the CGX with a large optical tube, more weights may be included to achieve balance.

Note: The included 8mm Allen wrench is contained under the rear handle of the mount as shown in Figure 1.1.

Setup the Tripod

1. Stand the tripod upright and pull the tripod legs apart until each leg is fully extended.
2. Remove the Tripod Support Nut and Washer from the central column attached to the top of the tripod (Figure 2.1 & 2.2).
3. Place the accessory tray over the central column so that each of the three arms of the tray is supporting a tripod leg.
4. Thread the nut and washer back onto the threaded column and firmly tighten into place. The accessory tray should not be able to move against the tripod (Figure 2.1 & 2.2).
5. Adjust the height of the tripod by loosening the lock levers on the end of each tripod leg. Then adjust the leg height as needed and retighten the lock levers, one leg at a time. Note that the leg index marks can be used to easily level the tripod.



Figure 2.1 Tripod setup



Figure 2.2 Tripod setup

Attach the Mount to the Tripod

1. Place the head onto the tripod so that it seats securely into the mating surface.
2. For best stability, orient the mount so that the counterweight shaft is directly over a tripod leg as shown in Figures 1.1 and 1.2. Note that you can orient the mount so the counterweight shaft is between two of the tripod legs which can be useful in low latitudes, allowing the counterweights to have more clearance from the tripod.
3. Using the included 8 mm Allen wrench (Figure 3) to tighten the 3 attachment bolts onto the mount.



Figure 3 Attaching the mount to the tripod

Roughly Polar Align the Mount

Before more weight is added to the mount and tripod, roughly position the mount so that it's pointing north (or south if in the southern hemisphere), and set to your latitude. Loosen the two altitude lock knobs, then turn the altitude adjustment knob (Figure 1.1) until you are roughly set to your latitude indicated on the latitude scale (Figure 1.2), then retighten the altitude lock knobs. The scale is intended for rough polar alignment only. A more precise polar alignment can be achieved later with the assistance of the computerized hand control.

Add the Counterweights

Remove the stop nut at the end of the counterweight shaft, add the counterweights, then thread the stop nut back on. Keep the Counterweight shaft pointed downward. (Figure 1.1)

Attach the Telescope to the Mount

1. Make sure both R.A. and DEC clutch levers are tightened.
2. Loosen the dovetail saddle lock knobs enough to allow the dovetail to fit into the saddle. Note the arrow should be pointing to the same side as the front handle (Figure 4).
3. Slide the telescope's dovetail bar into the dovetail saddle of the mount. Tighten the telescope in place with the two lock knobs (Figure 5).

The CGX fits the large Celestron CGE-style dovetail and the smaller CG-5-style dovetail, also common to the Losmandy D¹ and Vixen-style² dovetail.

- ¹ Test fit your Losmandy dovetail bar before securing your telescope to the mount. Sizes and dovetail angles across different manufacturers can vary.
- ² Test fit your Vixen dovetail bar before securing your telescope to the mount. Be aware that some of the Vixen-style dovetails are not flat and have different heights along the bar. Depending on the length of the flat, it can affect the fit onto the dovetail saddle of the mount.



Figure 4 Attaching the mount to the tripod



Figure 5 Telescope dovetail securely in place

Balance the Mount

Right Ascension Axis: Carefully unlock the clutch lever for R.A. and position the counterweight shaft so that it's horizontal. Without letting go of the telescope, check to see which side the balance is in favor of. Slide the counterweights as needed so the R.A. axis does not move when the clutch is unlocked.

Declination Axis: With the counterweight shaft still positioned horizontally, carefully unlock the clutch lever for DEC and check which way the optical tube is balanced (Figure 6). Slide the optical tube forward or backward as needed to achieve balance. For large and heavy telescopes, return the telescope to the home position before loosening the dovetail saddle lock knobs.



Figure 6 Balancing the mount

Attach the Hand Control Holster

Wrap the hook & loop strap and holster around the tripod leg and place the hand control in the holster.

Plug in the Hand Control

Plug the supplied NexStar+ hand control into one of the Aux ports.

Warning: Do not plug the hand control into the Autoguide Port. Damage to the mount or hand control could occur. Similarly, do not plug an autoguider cable into the Aux port or damage could occur.

Home Position

The mount is in the “home” position when the counterweight shaft is pointing downward, and the telescope is pointing along the polar axis of the mount as pictured in (Figure 7). The mount’s internal switches will take the mount to its home position when you power it on (more on that in “Basic Usage”), but you can still manually position it before powering on the mount. Simply unlock the two lock levers.



Figure 7 Telescope in the home position

Basic Usage

With your mount assembled and polar aligned, proceed to startup the mount:

Powering the Mount

The CGX mount can be powered by the supplied car battery adapter to a 12VDC battery source that can deliver at least 4 amperes of current. Or you may use an optional AC adapter that delivers 12VDC and 4 amperes of current. AC power adapters with threaded barrel connectors are available from Celestron.

Home Position and Site Information

1. Plug the included NexStar+ Hand Control into one of the Aux ports. You can plug into Aux 1 or Aux 2.
2. Plug the power cable into the power input port on the mount. Be sure to secure the power cable with the threaded barrel connector.
3. Turn the power switch on.
4. When the hand control displays “CGX Ready”, press ENTER twice. The mount will proceed to move to the home switch position.
5. Select City Database or Custom Site.
 - In City Database, select the nearest city to your location.
 - If you choose Custom Site, you will have to enter the longitude, latitude and time zone of your location.
6. Once the location is selected, proceed to enter the date and time. The CGX has a Real-Time Clock (RTC) which stores the date, time and location information for the next time you use the mount.

Alignment

Prerequisite: The mount must be roughly polar aligned, with the date, time and location information correctly entered as outlined before this step.

1. For best alignment results, choose Two Star Align and press ENTER.

You can also choose from Solar System, One Star, Last Align, or Quick Align. The Scroll buttons 6 and 9 on the keypad are used to scroll through any list selection in the hand control.

2. Select the first star from the named star list. Use the Scroll buttons 6 (up) and 9 (down) on the keypad to scroll through the star names. They consist of the brightest and easiest stars to find. Press ENTER when you have selected a suitable star. If your mount is at least roughly polar aligned, the mount will slew to the approximate location of the star.

The default selection of stars is on the west side of the meridian. If your sky is obstructed in the west or you wish to choose from stars on the east side of the meridian, press the MENU button on the keypad.

3. Using the direction keys, slew to the telescope to the selected named star and center it in the viewfinder of your telescope, then press ENTER.

The mount will automatically adjust the motor speed for fine centering.

4. Using the direction keys, center the star in the eyepiece of your telescope and press ALIGN.
5. Select a second star from the list and repeat the process from steps 2-4. When prompted to add a Calibration Star, you can either press BACK to complete the alignment, or for best results, proceed to add a calibration star.

For best results, add at least one Calibration Star. This will improve the pointing accuracy of your mount.

6. When prompted to "Add Calibration Star", choose a star from the list and press ENTER. The mount will slew to the other side of the meridian to add a calibration star.
7. Center and align the star as you did with the first two alignment stars: Center in the viewfinder, press ENTER, center the star in your eyepiece, then press ALIGN.
8. When prompted to add another calibration star, you may continue to add more, or press BACK to complete the alignment.

Selecting Objects

Select from the object database categorized by Solar System, Stars, or Deep Sky. Within these menus (on keypad numbers 1, 2, and 3, you can select by object name or popular catalog number (such as M42 for Messier 42).

Keypad 6 and 9 (up and down) allows you to scroll through any list in the hand control. Press ENTER to go to the selected object the list.

Example of selecting and slewing to Messier M42 deep sky object:

- Press DEEP SKY then ENTER
- Scroll down (keypad 9) to Messier and press ENTER
- Press "0-4-2" on the keypad and press ENTER

The SkyTour (keypad 5) is a great way to explore the sky without consulting a star chart. The Tour function will generate a list of the most interesting objects to observe for your time and location.

Polar Align the Mount

The computerized go-to is capable of locating objects even if the mount is not perfectly polar aligned. However, polar alignment is necessary to achieve the best tracking accuracy of your mount. And it's essential to astrophotography. When polar aligned, an Equatorial mount tracks the sky in one motion, keeping the object centered in the eyepiece or camera.

CGX's polar alignment system consists of an altitude adjuster and azimuth adjuster (Figure 8).

An optional polar alignment scope is available from Celestron and attaches to the mount. The optional polar axis scope does not pass through the R.A. axis because that area is used for internal cabling. If you are not using the optional polar alignment scope, you can achieve a rough polar alignment by sighting through the viewfinder of your telescope, and adjusting the mount until you center Polaris in the eyepiece of your telescope. This will get you to within about three-quarters of a degree within the North Celestial Pole (NCP).

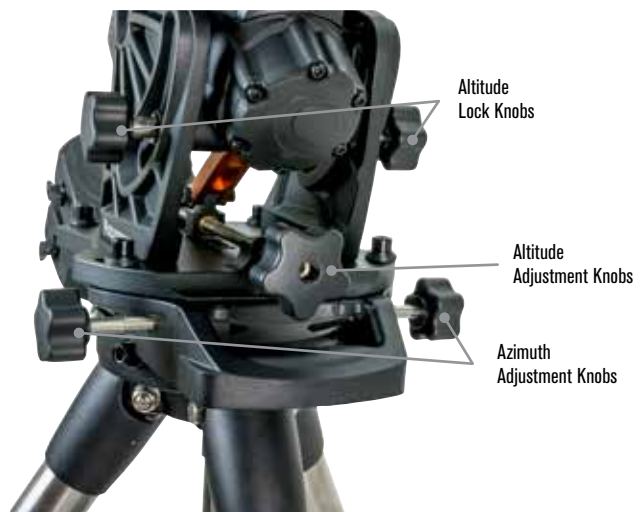


Figure 8 Polar alignment adjustment

Precise Polar Alignment

Celestron's All-Star Polar Alignment allows you to precisely polar align your mount without using Polaris or a polar axis finder. This software-assisted polar alignment allows you to choose a convenient star.

Prerequisite: The CGX must be aligned with a Two Star, One Star, or Solar System Align.

1. Select a suitable bright star from the NexStar hand control's database. Slew the telescope to the star.
2. Press the Align button. Select "Polar Align" then "Align Mount" from the list.
3. The telescope will then re-slew to the alignment star and ask you to center it in the eyepiece in order to "sync" on the star.
4. Press Align and the telescope will slew to the position that the star should be if it were accurately polar-aligned.
5. Use the mount's altitude and azimuth adjustments to center the star in the eyepiece. Do not use the direction keys on the hand control to center the star.
6. Press Enter. Polar alignment is complete.

Motion Range in Mount

Software Range

The CGX employs software controlled limit sensors which detect when the mount has reached near its mechanical range limit. Once the mount reaches the switch, the motor will decelerate to a stop and a "Limit Switch" warning message will appear. The mount will no longer slew in the direction of the limit switch until you reverse directions.

Mechanical Range

The CGX uses internal cabling so the mount is designed not to move more than a certain range. Both axis are limited by a hard stop built into the mount. This limited range can also help prevent unintentional interference between your telescope and the mount or tripod. If for any reason the mount exceeds the software limit switch (or if the clutch is unlocked and the mount is manually moved), the mount will halt at the hard stop.

R.A. limit (Figure 9.1) allows you to track 20° past the meridian. If you leave the mount unattended while it's tracking, it will automatically stop before reaching the mechanical hard stop.

DEC limit (Figure 9.2) contains enough slew range to reach any portion of the sky.



Figure 9.1 One side of R.A. mechanical limit



Figure 9.2 One side of DEC mechanical limit

Adjusting the Mount for Very High or Low Latitudes

The EQ head can be set on the tripod in three different positions. These three positions can also be used to optimize the balance over the tripod. The mount ships in the center position which works for latitudes between 20-55°. If you wish to use the mount at latitudes below 20°, shift the mount forward, if you wish to use above 55°, shift the mount backward.

1. Remove the head from the tripod by removing the 3 socket-head screws.
2. Carefully remove the 8 socket head screws located under the head. Once they are removed, the altitude adjustment mechanism will be the only thing securing the bottom plate of the EQ head.
3. Turn the altitude adjuster knob until the threaded holes on the bottom of the mount align with the new set of holes on the bottom plate. Shift the plate forward (towards the counterweight shaft side) if you wish to use at lower latitudes. Shift the plate backward (towards the altitude adjustment knob) if you wish to use at higher latitudes (Figure 10).

USB Port

The USB port on the CGX is used to interface with your PC *only* for:

1. Use with the dedicated telescope control software.
2. Upgrading the motor control firmware in the mount.

Simply connect a standard USB A type cable into the USB port on the mount, and plug into your PC. The mount should automatically install.

The USB port on the mount is not intended to be used with ASCOM or third party telescope control software. To control the mount via ASCOM, connect your PC to the NexStar+ hand control's mini USB port.

Aux Ports

Aux 1 and Aux 2 can be used for the NexStar+ handcontrol, as well as optional accessories such as the StarSense AutoAlign and SkyPortal WiFi module.

Autoguide Port

The autoguide port should only be used for autoguide camera relays.

CAUTION: Never plug the NexStar+ hand control or other accessory into the autoguide port. Damage could result.



DEFAULT POSITION



BACK POSITION



FRONT POSITION

Figure 10 Changing the mount position on the tripod head

NexStar+ Hand Control

1. **Liquid Crystal Display (LCD) Window:** Red back-lighting for comfortable nighttime viewing of telescope information and scrolling text. Remove the clear protective tape from the screen before use.
2. **Align:** Instructs the telescope to begin the default alignment procedure. It is also used to select star or object as an alignment position.
3. **Direction Keys:** Allow complete control of your telescope in any direction. Use the direction keys to center objects in the eyepiece or to manually slew your telescope.
4. **Catalog Keys:** Allow direct access to each of the main catalogs in the database of thousands of objects.

Your telescope contains the following catalogs in its database:

- **Solar System-** All 7 planets in our Solar System plus the Moon, Sun and Pluto.
- **Stars-** Custom lists of all the brightest stars, double stars, variable stars, constellations and asterisms.
- **Deep Sky-** Custom lists of all the best Galaxies, Nebulae and Clusters, as well as the complete Messier and select NGC objects.

5. **Identify:** Searches your telescope's database and displays the name and offset distances to the nearest matching objects.
6. **Menu:** Displays setup and utilities functions, such as tracking rate, user defined objects and others.
7. **Option (Celestron Logo):** Works similar to the SHIFT key on a keyboard and can be used in combination with other keys to access more advanced features and functions to be added with later firmware updates.
8. **Enter:** Pressing ENTER allows you to select any of your telescope's functions, accept entered parameters and slews the telescope to displayed objects.
9. **Back:** Pressing BACK will take you out of the current menu and display the previous level of the menu path. Press BACK repeatedly to get back to a main menu or use to erase data entered by mistake.
10. **Sky Tour:** Activates the tour mode, which seeks out all of the best objects in the sky and automatically slews your telescope to those objects.
11. **Scroll Keys:** Used to scroll UP and DOWN within any of the menu lists. A double arrow symbol on the right side of the LCD indicates that the scroll keys can be used to view additional information. The buttons have an angled shape to make it easier to locate without looking.



Figure 11



Figure 11.2

12. **Motor Speed:** Similar to the Rate Button on the original NexStar hand control, it allows you to change the motor's speed when the direction keys are pressed.
13. **Object Info:** Displays coordinates and valuable information about objects selected from your telescope's database.
14. **Mini Usb Port (cable not included):** Links to PC to control telescope with desktop or to perform firmware updates.
15. **Help Menu:** In future firmware updates, this button will offer troubleshooting tips. For your convenience, it currently functions as a shortcut to the Messier Catalog.

Selecting an Object

Once the telescope is properly aligned, you can choose an object from any of the catalogs in the NexStar+ hand control's database. The hand control has a key designated for each category of objects in its database; Solar System objects, Stars and Deep Sky objects.

- **Solar System** – The Solar System catalog will display all of the planets (and Moon) in our Solar System that are currently visible in the sky. To allow the Sun to be displayed as an option in the database, see Allow Sun option in the Database Setup section of the manual.
- **Stars** – The Stars catalog displays custom lists of all the brightest stars, double (binary) stars, variable stars, constellations and selected asterisms.
- **Deep Sky** – The Deep Sky catalog displays a list of all of the best Galaxies, Nebulae and Clusters, as well as the complete Messier and select NGC objects. There is also an alphabetical list of all deep sky objects in order by their common name.

Use the SCROLL keys to scroll through the catalogs to find the object you wish to view. When scrolling through a long list of objects, holding down either the UP or DOWN key will allow you to scroll through the catalog at a rapid speed.

Slewing to an Object

Once the desired object is displayed on the hand control screen, you have two options:

- **Press the OBJECT INFO Key.** This will give you useful information about the selected object such as magnitude, constellation and extended information about the most popular objects.
 - Use the UP/DOWN arrow buttons to scroll through the displayed object info.
 - Use the BACK button to return to the object database.
- **Press the ENTER Key.** This will automatically slew the telescope to the coordinates of the object displayed on the hand control. While the telescope is slewing to the object, the user can still access many of the hand control functions (such as displaying information about the object).

NOTE: *The Messier, NGC and SAO catalogs require the user to enter a numeric designation. Once you have selected the appropriate catalog button and selected the Messier, NGC or SAO catalog, you will see a flashing cursor indicating you are in numeric entry mode.*

Enter the catalog number for the object you want to view. Press ENTER to command the telescope to slew to the object, or hold the OPTION button (the Celestron logo) and press OBJECT INFO to see information about the object you selected.

CAUTION: *Never slew the telescope when someone is looking into the eyepiece. The telescope can move at fast slew speeds and may hit an observer in the eye.*

Motor Speed Button

The MOTOR SPEED button, similar to the Rate button on the original NexStar hand control, allows you to instantly change the speed rate of the motors from high speed slew rate to precise guiding rate or anywhere in between. Each rate corresponds to a number on the hand control key pad. The number 9 button is the fastest rate (approximately 3.5° per second, depending on the mount) and is used for slewing between objects and locating alignment stars. The number 1 button on the hand control is the slowest rate (half sidereal) and can be used for accurate centering of objects in the eyepiece.

To change the speed of the motors:

- Press the MOTOR SPEED key on the hand control. The LCD will display the current motor speed.
- Press the number on the hand control that corresponds to the desired speed.

The hand control has a “double button” feature that allows you to instantly speed up the motors without having to choose a speed. To use this feature, simply press the arrow button that corresponds to the direction that you want to move the telescope. While holding that button down, press the opposite direction button. This will increase the speed to the maximum slew rate.

When using the hand control's up and down direction buttons, the slower slew rates (6 and lower) move the motors in the opposite direction than the faster slew rates (7- 9). This is done so that an object will move in the appropriate direction when looking into the eyepiece (i.e. pressing the UP arrow button will move the star upwards in the field of view of the eyepiece). However, if any of the slower slew rates (rate 6 and below) are used to center an object in the StarPointer, you may need to press the opposite directional button to make the telescope move in the correct direction.

The Hand Control Menu

The "Hand Control" menu allows you to customize certain features of the NexStar+ hand control. To access this menu, press the MENU button (#7 on the keypad) and use the scroll buttons to select "Hand Control" and press ENTER. Use the scroll buttons to select from the following options:

- **Lights Control:** Independently adjust the brightness of the number keypad and the LCD.
- **Scrolling Menu:** Adjust how fast words move across the face of the LCD.
- **Toggle Bold Font:** Change the format of the font displayed on the LCD from normal to boldface.
- **Set Contrast:** Use the scroll keys to adjust the contrast of the LCD.
- **Set Language:** Change the displayed language on the LCD.

NOTE: The Set Language feature may also appear the first time you use your new hand control. You may also initiate it at any time by holding down the Option button (the Celestron logo) for 10 seconds while powering up the telescope.

Alignment Procedures

In order for the telescope to accurately point to objects in the sky, it must first be aligned with known positions (stars) in the sky. With this information, the telescope can create a model of the sky, which it uses to locate any object with known coordinates. There are many ways to align your telescope with the sky depending on what information the user is able to provide:

- **Two Star Align** uses the entered time/location information and allows the user to select which two alignment stars the telescope will automatically slew to.
- **One Star Align** uses the same time/location information but only uses one star for alignment.
- **Solar System Align** will display a list of visible daytime objects (planets and the Moon) available to align the telescope.
- **Quick-Align** will ask you to input all the same information as you would for the Two Star Align procedure. However, instead of slewing to the alignment stars for centering and alignment, the telescope bypasses this step and simply models the sky based on the information given.
- **Last Alignment** restores your last saved star alignment and switch position. Last Alignment also serves as a good safeguard in case the telescope should lose power.

Two Star Align

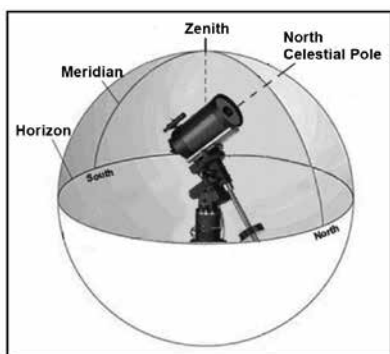
Two-Star Align allows the user to select two stars on which to align the telescope. To align your telescope using the Two-Star Align method:

1. Select Two-Star Align from the alignment choices given. Based on the date and time information entered, the hand control will automatically select and display a bright star that is above the horizon.
 - Press ENTER to select this star as your first alignment star.
 - If for some reason the chosen star is not visible (perhaps behind a tree or building), press BACK to have the hand control automatically select the next brightest star.
 - Or you can use the Up/Down keys to browse the entire Named Star list and select any one of over two hundred alignment stars.
2. Once the telescope is finished slewing to your first alignment star, the display will ask you to use the arrow buttons to align the selected star with the cross hairs in the center of the finderscope. When centered in the finder, press ENTER. The display will then instruct you to center the star in the field of view of the eyepiece. When the star is entered, press ALIGN to accept this star as your first alignment star.
3. After the first alignment star has been entered, the hand control will automatically select a second alignment star and have you repeat this procedure for that star. When the telescope has been aligned on both stars, the display will ask you if you wish to add additional calibration stars. Calibration stars are used to improve the pointing accuracy of your telescope by compensating for subtle opto-mechanical misalignments between the telescope optics and the mount. Therefore, it is usually a good idea to add at least one additional calibration star to improve the mount's all-sky pointing accuracy.
4. Press ENTER to select a calibration star. Select a star the same way you did with the first two alignment stars and press ENTER. You will notice that all the calibration stars displayed are located on the opposite side of the side of the sky (Meridian) as the original alignment stars. This is essential for an accurate calibration of the mount. Finally, you can choose to continue to add additional calibration stars or Press BACK to complete the alignment.

Note: East/West Filtering – In order to ensure the best possible full-sky pointing accuracy, your computerized mount automatically filters and chooses its initial alignment stars so that the first two alignment stars are located on one side of the Meridian and any calibration stars are on the opposite side of the Meridian, as indicated by the "W" or "E" displayed in the upper-right corner of the LCD. East/West filtering can be changed simply by pressing the MENU button at any time during the alignment process.

Tips for Adding Calibration Stars:

- Although for casual observing it is not necessary to add calibration stars, it is recommended that you add as many as three calibration stars for optimal point accuracy.
- Choosing calibration stars that are near the celestial equator offer the better results than stars near the celestial poles.
- Although it is not necessary to use calibration stars if the telescope mount has not been moved since its original alignment/calibration, it may be necessary to recalibrate the telescope if the optical tube has been removed for any reason.



Note: Meridian – The Meridian is an imaginary line in the sky that starts at the North celestial pole and ends at the South celestial pole and passes through the zenith. If you are facing south, the meridian starts from your Southern horizon and passes directly overhead to the North celestial pole.

Quick-Align

Quick-Align uses all the date and time information entered at startup to align the telescope. However, instead of slewing to the alignment stars for centering and alignment, the telescope bypasses this step and simply models the sky based on the information given. This will allow you to roughly slew to the coordinates of bright objects like the Moon and planets and provides the telescope with information needed to track objects in any part of the sky (depending on accuracy of polar alignment). Quick-Align is not meant to be used to accurately locate small or faint deep-sky objects or to track objects accurately for astroimaging.

To use Quick-Align, simply select Quick Align from the alignment options and press ENTER. The telescope will automatically use the entered date/time parameters to align itself with the sky and display Alignment Successful.

Note: Once a Quick-Align has been done, you can use the Re-alignment feature (see below) to improve your telescope's pointing accuracy.

Last Alignment

The Last Alignment method will automatically recall the last stored index positions to continue using the alignment that was saved when the telescope was last powered down. This is a useful feature should your telescope accidentally lose power or be powered down.

Re-Alignment

The mount has a re-alignment feature which allows you to replace any of the original alignment stars with a new star or celestial object. This can be useful in several situations:

- If you are observing over a period of a few hours, you may notice that your original two alignment stars have drifted towards the west considerably. (Remember that stars are moving at a rate of 15° every hour). Aligning on a new star that is in the eastern part of the sky will improve your pointing accuracy, especially on objects in that part of the sky.
- If you have aligned your telescope using the Quick-Align method, you can use Re-Align to align on actual objects in the sky. This will improve the pointing accuracy of your telescope without having to re-enter additional information.
- If you have used the computer-assisted polar alignment method and have manually moved the mount, it may be necessary to re-align the mount for improved pointing accuracy.

To replace an existing alignment star with a new alignment star:

1. Select the desired star (or object) from the database and slew to it.
2. Carefully center the object in the eyepiece.
3. Once centered, press the BACK button until you are at the main menu.
4. With CGX Ready displayed, press the ALIGN key on the hand control to select Alignment Stars from the list of options.
5. The display will then ask you which alignment star you want to replace. Use the UP and Down scroll keys to select the alignment star to be replaced. It is usually best to replace the star closest to the new object. This will space out your alignment stars across the sky.
6. Press ALIGN to make the change.

Object Catalog

Selecting an Object

Once the telescope is properly aligned, you can choose an object from any of the catalogs in the NexStar+ hand control's database. The hand control has a key designated for each category of objects in its database; Solar System objects, Stars and Deep Sky objects.

- **Solar System** – The Solar System catalog will display all the planets (and Moon) in our Solar System that are currently visible in the sky. To allow the Sun to be displayed as a selectable object in the database, see the Sun Menu option in Scope Setup Menu.
- **Stars** – The Stars catalog displays custom lists of all the brightest stars, double (Binary) stars, variable stars, constellations and selected asterisms.
- **Deep Sky** – The Deep Sky catalog displays a list of all the best Galaxies, Nebulae and Clusters, as well as the complete Messier and select NGC objects. There is also an alphabetical list of all deep sky objects in order by their common name.

Use the scroll keys to scroll through the catalogs to find the object you want to view.

When scrolling through a long list of objects, holding down either the UP or DOWN key will allow you to scroll through the catalog rapidly.

Slewing to an Object

Once the desired object is displayed on the hand control screen, you have two options:

- **Press the OBJECT INFO Key.** This will give you useful information about the selected object such as magnitude, constellation and extended information about the most popular objects.
 - Use the **UP/DOWN** arrow buttons to scroll through the displayed object info.
 - Use the **BACK** button to return to the object database.
- **Press the ENTER Key.** This will automatically slew the telescope to the coordinates of the object displayed on the hand control. While the telescope is slewing to the object, the user can still access many of the hand control functions (such as displaying information about the object).

NOTE: *The Messier, NGC and SAO catalogs require the user to enter a numeric designation. Once you have selected the appropriate catalog button and selected the Messier, NGC or SAO catalog, you will see a flashing cursor indicating you are in numeric entry mode. Enter the catalog number for the object you want to view. Press ENTER*

to command the telescope to slew to the object or hold the OPTION button (the Celestron logo) and press OBJECT INFO to see information about the object you selected.

CAUTION: Never slew the telescope when someone is looking into the eyepiece. The telescope can move at fast slew speeds and may hit an observer in the eye.

SkyTour Button

The CGX mount includes a tour feature which allows you to choose from a list of interesting objects based on the date and time in which you are observing. The automatic tour will display only those objects that are within your set catalog filters limits. To activate the Tour feature, press the **SKY TOUR** key on the hand control.

1. Press the **SKY TOUR** button on the hand control.
2. Use the **SCROLL** buttons to select Best of Tonight.
3. The CGX mount will automatically slew in azimuth to its starting position which will help minimize the chance of wrapping the power cord during the tour.
4. The hand control will display the best objects to observe that are currently in the sky.
 - To see information and data about the displayed object, press the **OBJECT INFO** key. Press it once to display the coordinates of the object. Press it again to display the coordinates of the object. Press it again to display the text description. Press **BACK** to return to the previous screen.
 - To slew to the object displayed, press **ENTER**.
 - To see the next tour object, press the **DOWN** key.

Identify Button

Pressing the **IDENTIFY** button will search the mount's database catalogs and display the name and angular distances to the nearest matching objects from the telescope's current location. This feature can serve two purposes. First, it can be used to identify an unknown object in the field of view of your eyepiece. Additionally, Identify Mode can be used to find other celestial objects that are close to the objects you are currently observing.

For example, if your telescope is pointed at the brightest star in the constellation Lyra, choosing Identify will no doubt return the star Vega as the star you are observing. However, the Identify feature will also search its NGC and Solar System databases and display any planets or Deep Sky objects that are close by. In this example, the Ring Nebula (M57) would display as being approximately 6° away.

The brightness and proximity of the objects displayed can be defined by the user using the Identify Filter under Telescope Setup.

Direction Buttons

The hand control has four direction buttons in the center of the hand control which control the telescope motion in altitude (up and down) and azimuth (left and right). The telescope can be controlled at nine different speed rates.

1 = 2x	6 = .3° / sec
2 = 4x	7 = 1° / sec
3 = 8x	8 = 2° / sec
4 = 16x	9 = 4° / sec
5 = 32x	

Motor Speed Button

Pressing the **MOTOR SPEED** button (12) allows you to instantly change the speed rate of the motors from high speed slew rate to precise guiding rate or anywhere in between. Each rate corresponds to a number on the hand controller key pad. The number 9 is the fastest rate (approximately 4° per second, depending on power source) and is used for slewing between objects and locating alignment stars. The number 1 on the hand control is the slowest rate (2x sidereal) and can be used for accurate centering of objects in the eyepiece. To change the speed rate of the motors:

- Press the MOTOR SPEED key on the hand control. The LCD will display the current speed rate.
- Press the number on the hand control that corresponds to the desired speed.

The hand control has a “double button” feature that allows you to instantly speed up the motors without having to choose a speed rate. To use this feature, simply press the arrow button that corresponds to the direction that you want to move the telescope. While holding that button down, press the opposite directional button. This will increase the speed to the maximum slew rate.

When using the **UP** and **DOWN** buttons on the hand control, the slower slew rates (6 and lower) move the motors in the opposite direction than the faster slew rates (7- 9). This is done so that an object will move in the appropriate direction when looking into the eyepiece (i.e., pressing the up arrow button will move the star upwards in the field of view of the eyepiece). However, if any of the slower slew rates (rate 6 and below) are used to center an object in the starpointer, you may need to press the opposite directional button to make the telescope move in the correct direction.

Help Button

In future firmware updates, this button will offer troubleshooting tips. For your convenience, it currently functions as a shortcut to the Messier Catalog.

Menu Button

The CGX mount contains many user-defined setup functions designed to give the user control over the telescopes many features. All of the setup and utility features can be accessed by pressing the **MENU** key and scrolling through the options below.

Tracking Menu

Tracking Mode – This allows you to change the way the telescope tracks depending on the type of mount being used to support the telescope. The telescope has three different tracking modes:

- **EQ North** – Used to track the sky when the telescope is polar aligned in the Northern Hemisphere.
- **EQ South** – Used to track the sky when the telescope is polar aligned in the Southern Hemisphere.
- **Off** – When using the telescope for terrestrial (land) observation, the tracking can be turned off so that the telescope never moves.

Tracking Rate – In addition to being able to move the telescope with the hand control buttons, your telescope will continually track a celestial object as it moves across the night sky. The tracking rate can be changed depending on what type of object is being observed:

- **Sidereal** – This rate compensates for the rotation of the Earth by moving the telescope at the same rate as the rotation of the Earth, but in the opposite direction. When the telescope is polar aligned, this can be accomplished by moving the telescope in right ascension only.
- **Lunar** – Used for tracking the Moon when observing the lunar landscape.
- **Solar** – Used for tracking the Sun when solar observing with the proper filter.

View Time-Site Menu

This menu displays the current time and longitude/latitude downloaded from the optional SkySync GPS receiver. It will also display other relevant time-site information like time zone, daylight saving and local sidereal time. Local sidereal time (LST) is useful for knowing the right ascension of celestial objects that are located on the Meridian at that time. View Time-Site will always display the last saved time and location entered while it is linking with the GPS. Once current information has been received, it will update the displayed information. If GPS is switched off or not present, the hand control will only display the last saved time and location.

The Hand Control Menu

The “Hand Control” menu allows you to customize certain features of the NexStar+ hand control. To access this menu, press the **MENU** button (#7 on the keypad) and use the scroll buttons to select “Hand Control” and press ENTER.

Use the scroll buttons to select from the following options:

- **Lights Control:** Independently adjust the brightness of the number keypad and the LCD.
- **Scrolling Menu:** Adjust how fast words move across the face of the LCD.
- **Toggle Bold Font:** Change the format of the font displayed on the LCD from normal to boldface.
- **Set Contrast:** Use the scroll keys to adjust the contrast of the LCD.
- **Set Language:** Change the displayed language on the LCD.

NOTE: *The Set Language feature may also appear the first time you use your new hand control. You may also initiate it at any time by holding down the Option button (the Celestron logo) for 10 seconds while powering up the telescope.*

Scope Setup Menu

Setup Time-Site – Allows the user to customize the telescope's display by changing time and location parameters (such as time zone and daylight savings).

Anti-backlash – All mechanical gears have a certain amount of backlash or play between the gears. This play is evident by how long it takes for a star to move in the eyepiece when the hand control arrow buttons are pressed (especially when changing directions). The CGX anti-backlash feature allows the user to compensate for backlash by inputting a value which quickly rewinds the motors just enough to eliminate the play between gears. The amount of compensation needed depends on the slewing rate selected; the slower the slewing rate the longer it will take for the star to appear to move in the eyepiece. There are two values for each axis, positive and negative:

- Positive is the amount of compensation applied when you press the button in order to get the gears moving quickly without a long pause.
- Negative is the amount of compensation applied when you release the button, winding the motors back in the other direction to resume tracking.

Normally, both values should be the same. You will need to experiment with different values (from 0-99); a value between 20 and 50 is usually best for most visual observing, whereas a higher value may be necessary for photographic guiding.

To set the anti-backlash value, scroll down to the anti-backlash option and press ENTER. While viewing an object in the eyepiece, observe the responsiveness of each of the four arrow buttons. Note which directions you see a pause in the star movement after the button has been pressed. Working one axis at a time, adjust the backlash settings high enough

to cause immediate movement without resulting in a pronounced jump when pressing or releasing the button. Now, enter the same values for both positive and negative directions. If you notice a jump when releasing the button but setting the values lower results in a pause when pressing the button, use the higher value for positive, but use the lower value for negative. The telescope will remember these values and use them each time it is turned on until they are changed.

Filter Limits – When an alignment is complete, the telescope automatically knows which celestial objects are above the horizon. As a result, when scrolling through the database lists (or selecting the Tour function), the hand control will display only those objects that are known to be above the horizon when you are observing. You can customize the object database by selecting altitude limits that are appropriate for your location and situation. For example, if you are observing from a mountainous location where the horizon is partially obscured, you can set your minimum altitude limit to read +20°. This will make sure that the hand control only displays objects that are higher in altitude than 20°.

TIP: *If you want to explore the entire object database, set the maximum altitude limit to 90° and the minimum limit to -90°. This will display every object in the database lists regardless of whether it is visible in the sky from your location.*

Direction Buttons – The direction a star appears to move in the eyepiece changes depending on which side of the Meridian the telescope tube is on. This can create confusion especially when guiding on a star when doing astroimaging. To compensate for this, the direction of the drive control keys can be changed. To reverse the button logic of the hand control, press the MENU button and select Direction Buttons from the Utilities menu. Use the Up/Down arrow keys (10) to select either the azimuth (right ascension) or altitude (declination) button direction and press ENTER. Select either positive or negative for both axes and press ENTER to save. Setting the azimuth button direction to positive will move the telescope in the same direction that the telescope tracks (i.e., towards the west). Setting the altitude buttons to positive will move the telescope counterclockwise along the DECLINATION axis.

GoTo Approach – Lets the user define the direction that the telescope will approach when slewing to an object. This allows the user the ability to minimize the effects of backlash when slewing from object to object. Just like with Direction Buttons, setting GoTo Approach to positive will make the telescope approach an object from the same direction as tracking (west) for azimuth and counterclockwise in declination. Declination GoTo approach will only apply while the telescope tube is on one side of the Meridian. Once the tube passes over to the other side of the Meridian, the GoTo approach will need to be reversed.

To change the GoTo approach direction, simply choose GoTo Approach from the Scope Setup menu, select either Altitude or Azimuth approach, choose positive or negative and press ENTER.

HINT: *In order to minimize the affect of gear backlash on pointing accuracy, the settings for Button Direction should ideally match the settings for GoTo Approach. By default, using the up and right direction buttons to center alignment stars will automatically eliminate much of the backlash in the gears. If you change the GoTo approach of your telescope, it is not necessary to change the Button Direction as well. Simply take notice of the direction the telescope moves when completing its final GoTo approach. If the telescope approaches its alignment star from the west (negative azimuth) and clockwise (negative altitude) then make sure that the buttons used to center the alignment stars also move the telescope in the same directions.*

Autoguide Rate – Allows the user to set an autoguide rate as a percentage of sidereal rate. This is helpful when calibrating your telescope to a CCD autoguider for long exposure astrophotography.

OTA Orientation – Some users may wish to use an optional tandem bar adapter which allows you to attach two optical tubes to the mount at the same time. When most tandem bars are attached to a mount, the optical tubes are positioned at a 90° angle from the standard configuration. In order for the mount to be successfully aligned with the stars, it must know that a tandem bar is being used and in which direction the optical tube(s) are positioned (East or West) when beginning an alignment. The tandem option must be set before beginning any of the initial star alignments. To set this option, go to the Scope Setup menu, select the Tandem option and press ENTER. Then select from one of the following options:

- **East** – If the attached optical tubes are facing towards the east when the declination index markers are align, select East.
- **West** – If the attached optical tubes are facing towards the west when the declination index markers are align, select West.
- **Normal** – If the tandem bar is no longer being used, select “normal” to turn off this feature.

Meridian – This feature instructs the mount on how to respond when it is slewing to objects that are accessible from both sides of the Meridian. The Meridian feature allows the telescope tube to remain on a desired side of the mount when slewing, and continue to track according to the R.A. slew limits the user has set. See R.A. Limits below. The Meridian feature allows for four choices:

- **Favor Current** – Allows the mount to favor whatever side of the mount that it is currently on when slewing to objects

close to the Meridian. For example, if your R.A. slew limits are set to allow the mount to track 10° past the meridian, then the telescope will continue to stay on its current side of the Meridian when slewing to objects that are as far as 10° beyond your Meridian.

- **Favor West** – If the target object is accessible from both sides of the mount, selecting “Favor West” instructs the mount to point to the object as if it were on the west side of the meridian. The optical tube will then be positioned on the east side of the mount and pointing west.
- **Favor East** – If the target object is accessible from both sides of the mount, selecting “Favor East” instructs the mount to point to the object as if it were on the east side of the meridian. The optical tube will then be positioned on the west side of the mount and pointing east.
- **Disable** – This is the default setting, which instructs the mount to always swing around to the other side of the pier as required to view objects on the opposite side of the Meridian. However, once at the desired object, the mount will continue to track past the Meridian according to the R.A. slew limits that have been set.

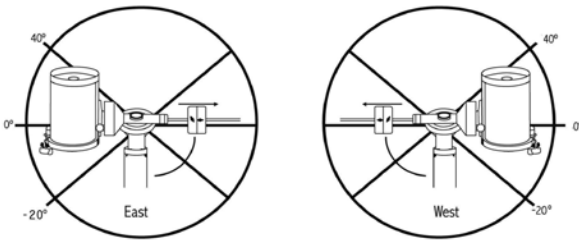
Mount Settings – Once the mount settings have been calibrated (see Utilities section below) the values are stored and displayed in the hand control. It is not recommended that the calibration values be changed. However each setting can be changed if necessary to improve the performance of the telescope.

- **Cone Value** – This is the cone error value set when Utilities/Calibrate Mount/DEC Switch – Cone is carried out.
- **DEC Index** – This is the declination index error value that is stored when calibration stars are added after your initial star alignment.
- **R.A. Index** – This is the R.A. index error value set when Utilities/Calibrate Mount/R.A. Switch is carried out.

R.A. Limits – Sets the limits that the telescope can slew or track in Right Ascension (R.A.) before stopping. The slew limits are represented in degrees and by default set to 0°, being the position of the telescope when the counterweight bar is extended out horizontally. However, the slew limits can be customized depending on your needs. For example, if you are using CCD imaging equipment that has cables that are not long enough to move with the telescope as it slews across the sky, you can adjust the slew limit on the side of the mount that is restricted by the cables, and command the mount to stop slewing before it reaches this point. Or if you are taking an image of an object that has just crossed the Meridian, you can set the limit to allow the mount to continue tracking in the same direction past the Meridian without the need to “flip” the telescope around to the opposite side of the mount (see Meridian feature above). Using the first example above, the user could slew the telescope in R.A. (azimuth) until it reaches the point that the cables are extended to their

maximum. Then by displaying the telescope's azimuth in this position (by looking at Get Axis Position under the Utilities menu) you can determine the telescope's azimuth at its most extended position. Enter this azimuth reading for either the maximum or minimum azimuth slew limit to ensure that the telescope will not slew beyond this point. The telescope slew limits can be set to automatically stop anywhere between 40° above level to 20° below level. To set the R.A. slew limit select the following:

- **R.A. East Limit** – Enter a number between +40° to -20° to define the slew limit when the tube is on the east side of the mount.
- **R.A. West Limit** – Enter a number between +40° to -20° to define the slew limit when the tube is on the west side of the mount.
- **Disable Limits** – This disables any pre-defined values that have been entered and allows the mount to track the maximum amount pass the Meridian (i.e., -20° on both sides)



WARNING: In order for the telescope to be able to slew to a star from the direction that minimizes the amount of backlash in the gears, it may be necessary for the telescope to slew beyond the specified slew limit in order to approach the star from the correct direction. This can limit your ability to slew to an object by as much as 6° from the R.A. slew limit set in the hand control. If this proves to be a problem, the direction that the telescope takes to center an object can be changed. To change the telescopes slewing direction, see GoTo Approach under the Scope Setup menu.

Custom Rate 9 – This allows you to customize the speed at which the mount slews to a target. You can set the R.A. and Dec axes individually.

Utilities Menu

Scrolling through the MENU (9) options will also provide access to several advanced utility functions within the telescope such as; Calibrate Mount, Hibernate as well as many others.

Calibrate Mount – In order to optimize the performance and pointing accuracy of the telescope, the mount has built-in calibration routines allowing it to compensate for mechanical variation inherent in every German equatorial mount. Each calibration is completely automatic and in most cases only needs to be performed once. It is highly recommended that you take a few minutes to go through the mount calibration procedures.

- **R.A. Switch** – This procedure records the offset error when the right ascension index mark is aligned at start-up. Calibrating the R.A. Index will improve the accuracy of your initial star alignments when aligning the telescope in the future.
- **GoTo Calibration** – GoTo Calibration is a useful tool when attaching heavy visual or photographic accessories to the telescope. GoTo Calibration calculates the amount of distance and time it takes for the mount to complete its final slow GoTo when slewing to an object. Changing the balance of the telescope can prolong the time it takes to complete the final slew. GoTo Calibration takes into account any slight imbalances and changes the final GoTo distance to compensate.

Home Position – The telescope's "home" position is a user-definable position that is used to store the telescope when not in use. The home position is useful when storing the telescope in a permanent observatory facility. By default the Home position is the same as the index position used when aligning the mount.

To set the Home position for your mount, simply use the arrow buttons on the hand control to move the telescope mount to the desired position. Select the Set option and press Enter.

Select the GoTo option to slew the telescope back to the Home position at any time.

Factory Settings – Returns the hand control to its original factory settings. Parameters such as backlash compensation values, initial date and time, longitude/latitude, along with slew and filter limits will be reset. However, stored parameters such as user defined objects will remain saved even when Factory Settings is selected. The hand control will ask you to press the "0" key before returning to the factory default setting.

Version – Selecting this option will allow you to see the current version number of the hand control and motor control. The first set of numbers indicate the hand control software version. For the motor control, the hand control will display two sets of numbers; the first numbers are for azimuth and the second set are for altitude.

Get Axis Position – Displays the relative altitude and azimuth for the current position of the telescope.

GoTo Axis Position – Allows you to enter a specific relative altitude and azimuth position and slew to it.

Hibernate – Hibernate allows the telescope to be completely powered down and still retain its alignment when turned back on. This not only saves power, but is ideal for those that have their telescope permanently mounted or leave their telescope in one location for long periods of time. To place your telescope in Hibernate mode:

1. Select Hibernate from the Utility Menu.
2. Move the telescope to a desired position and press ENTER.
3. Power off the telescope. Remember to never move your telescope manually while in Hibernate mode.

Once the telescope is powered on again, the display will read Wake Up. After pressing Enter, you have the option of scrolling through the time/site information to confirm the current setting. Press ENTER to wake up the telescope.

HINT: Pressing BACK at the Wake Up screen allows you to explore many of the features of the hand control without waking the telescope up from hibernate mode. To wake up the telescope after BACK has been pressed, select Hibernate from the Utility menu and press ENTER. Do not use the direction buttons to move the telescope while in hibernate mode.

Sun Menu

For safety purposes, the Sun will not be displayed as a database object unless it is first enabled. To enable the Sun, go to the Sun Menu and press ENTER. The Sun will now be displayed in the Planets catalog and can be used as an alignment object when using the Solar System Alignment method. To remove the Sun from displaying on the hand control, once again select the Sun Menu from the Utilities Menu and press ENTER.

Set Mount Position

The Set Mount Position menu can be used to maintain your alignment in cases where you wish to disengage the clutches or similar situation. For instance, you might use this feature if you needed to rebalance the mount after having completed an alignment. To set the mount position, simply slew to a bright star in the named star list and select Set Mount Position. The hand control will sync on the star by asking you to center the star in the eyepiece and pressing the Align button. Once synced on the star, you are free to manually move the mount in both axes in order to rebalance. When you are ready to slew the telescope to your next object, just remember to manually return the tube to the same bright star and carefully center it in the eyepiece. Using this tool will invalidate the PEC index.

Turn On/Off GPS – If using your telescope with the optional SkySync GPS accessory, you will need to turn the GPS on the first time you use the accessory. If you want to use the telescope's database to find the coordinates of a celestial object for a future or past date, you will need to turn the GPS off in order to manually enter a time other than the present.

Turn On/Off RTC – Allows you to turn off the telescope's internal real time clock. When aligning, the telescope still receives time information from the RTC. If you want to use the hand control database to find the coordinates of a celestial object for a future or past date, you will need to turn the RTC off in order to manually enter a time other than the present.

Periodic Error Correction (PEC) – PEC is designed to improve photographic quality by reducing the amplitude of the worm gear errors and improving the tracking accuracy of the drive. This feature is for advanced astrophotography and is used when your telescope is accurately polar aligned.

User Objects Menu

Your telescope can store up to 400 different user-defined objects in its memory. The objects can be daytime land objects or an interesting celestial object that you discover that is not included in the regular database. There are several ways to save an object to memory depending on what type of object it is:

GoTo Object: To go to any of the user defined-objects stored in the database, scroll down to either "GoTo Sky Obj" or "GoTo Land Obj" and enter the number of the object you wish to select and press ENTER. The telescope will automatically retrieve and display the coordinates before slewing to the object.

Save Sky Object: Your telescope stores celestial objects to its database by saving its right ascension and declination coordinates in the sky. This way the same object can be found each time the telescope is aligned. Once a desired object is centered in the eyepiece, simply scroll to the "Save Sky Obj" command and press ENTER. The display will ask you to enter a number between 1 and 200 to identify the object. Press ENTER again to save this object to the database.

Save Database (Db)

- **Object:** This feature allows you to create your own custom tour of database objects by allowing you to record the current position of the telescope and save the name of the object by selecting it from any one of the database catalogs. These objects then can be accessed by selecting GoTo Sky Object.

- **Enter R.A. - Dec:** You can also store a specific set of coordinates for an object just by entering the R.A. and declination for that object. Scroll to the “Enter RA-DEC” command and press ENTER. The display will then ask you to enter first the R.A. and then the declination of the desired object.
- **Save Land Object:** The telescope can also be used as a spotting scope on terrestrial objects. Fixed land objects can be stored by saving their altitude and azimuth relative to the location of the telescope at the time of observing. Since these objects are relative to the location of the telescope, they are only valid for that exact location. To save land objects, once again center the desired object in the eyepiece. Scroll down to the “Save Land Obj” command and press ENTER. The display will ask you to enter a number between 1 and 200 to identify the object. Press ENTER again to save this object to the database.

To replace the contents of any of the user defined-objects, simply save a new object using one of the existing identification numbers; the telescope will replace the previous user-defined object with the current one.

Get R.A./DEC - Displays the right ascension and declination for the current position of the telescope.

Goto R.A./Dec - Allows you to input a specific R.A. and declination and slew to it.

Hint: To store a set of coordinates (R.A./Dec) permanently into the database, save it as a User-Defined Object as described above.

Identify

Identify Mode will search any of the mount's database catalogs or lists and display the name and offset distances to the nearest matching objects. This feature can serve two purposes. First, it can be used to identify an unknown object in the field of view of your eyepiece. Additionally, Identify Mode can be used to find other celestial objects that are close to the objects you are currently observing. For example, if your telescope is pointed at the brightest star in the constellation Lyra, choosing Identify and then searching the Named Star catalog will no doubt return the star Vega as the star you are observing. However, by selecting Identify and searching by the Named Object or Messier catalogs, the hand control will let you know that the Ring Nebula (M57) is approximately 6° from your current position. Searching the Double Star catalog will reveal that Epsilon Lyrae is only 1° away from Vega. To use the Identify feature:

- Press the Menu button and select the Identify option.
- Use the Up/Down scroll keys to select the catalog that you would like to search.
- Press ENTER to begin the search.

NOTE: Some of the databases contain thousands of objects and can therefore take several minutes to return the closest objects.

Precise GoTo

The mount has a Precise Goto function that can assist in finding extremely faint objects and centering objects closer to the center of the field of view for astromaging. Precise GoTo automatically searches out the closest bright star to the desired object and asks the user to carefully center the star in the eyepiece. The hand control then calculates the small difference between its GoTo position and its centered position. Using this offset, the mount will then slew to the desired object with enhanced accuracy.

To use Precise GoTo:

1. Press the MENU button and use the Up/Down keys to select Precise GoTo.
 - Choose Database to select the object that you want to observe from any of the database catalogs listed or;
 - Choose R.A./DEC to enter a set of celestial coordinates that you wish to slew to.
2. Once the desired object is selected, the hand control will search out and display the closest bright star to your desired object. Press ENTER to slew to the bright alignment star.
3. Use the direction buttons to carefully center the alignment star in the eyepiece.
4. Press ENTER to slew to the desired object.

Appendix A: Upgrading the Firmware in Your Mount and Hand Control

To check for new firmware updates, refer to this URL: <http://software.celestron.com/updates/CFM/CFM/>

1. Plug your NexStar+ hand control into the AUX1 or AUX2 port.
2. Plug a standard USB B cable from your mount to your PC.
3. Plug power into the CGX and power it on.
4. Open Celestron Firmware Manager (CFM).
5. CFM will check your hardware and scan for updates. CFM will automatically determine which components will require updating.
6. Proceed to click “Update” in CFM and allow updates to complete.

Appendix B: Care and Maintenance

The CGX mount is sturdy and will last many years when properly cared for.

Storage

Although the mount and electronics are designed for outdoor usage, you should not store the mount outside unless it's sheltered by an observatory or storage shelter of some kind (such as a garage). Constant hot, cold, and humidity extremes can eventually cause wear to the electronics, mechanical lubrication and the finish quality of the mount. Store in a sheltered area away from the Sun. Keep in a dry place if possible.

CELESTRON TWO YEAR LIMITED WARRANTY

A. Celestron warrants your telescope mount to be free from defects in materials and workmanship for two years. Celestron will repair or replace such product or part thereof which, upon inspection by Celestron, is found to be defective in materials or workmanship. As a condition to the obligation of Celestron to repair or replace such product, the product must be returned to Celestron together with proof-of-purchase satisfactory to Celestron.

B. The Proper Return Authorization Number must be obtained from Celestron in advance of return. Call Celestron at (310) 328-9560 to receive the number to be displayed on the outside of your shipping container.

All returns must be accompanied by a written statement setting forth the name, address, and daytime telephone number of the owner, together with a brief description of any claimed defects. Parts or product for which replacement is made shall become the property of Celestron.

The customer shall be responsible for all costs of transportation and insurance, both to and from the factory of Celestron, and shall be required to prepay such costs.

Celestron shall use reasonable efforts to repair or replace any telescope mount covered by this warranty within thirty days of receipt. In the event repair or replacement shall require more than thirty days, Celestron shall notify the customer accordingly. Celestron reserves the right to replace any product which has been discontinued from its product line with a new product of comparable value and function.

This warranty shall be void and of no force of effect in the event a covered product has been modified in design or function, or subjected to abuse, misuse, mishandling or unauthorized repair. Further, product malfunction or deterioration due to normal wear is not covered by this warranty.

CELESTRON DISCLAIMS ANY WARRANTIES, EXPRESS OR IMPLIED, WHETHER OF MERCHANTABILITY OF FITNESS FOR A PARTICULAR USE, EXCEPT AS EXPRESSLY SET FORTH HEREIN. THE SOLE OBLIGATION OF CELESTRON UNDER THIS LIMITED WARRANTY SHALL BE TO REPAIR OR REPLACE THE COVERED PRODUCT, IN ACCORDANCE WITH THE TERMS SET FORTH HEREIN. CELESTRON EXPRESSLY DISCLAIMS ANY LOST PROFITS, GENERAL, SPECIAL, INDIRECT OR CONSEQUENTIAL DAMAGES WHICH MAY RESULT FROM BREACH OF ANY WARRANTY, OR ARISING OUT OF THE USE OR INABILITY TO USE ANY CELESTRON PRODUCT. ANY WARRANTIES WHICH ARE IMPLIED AND WHICH CANNOT BE DISCLAIMED SHALL BE LIMITED IN DURATION TO A TERM OF TWO YEARS FROM THE DATE OF ORIGINAL RETAIL PURCHASE.

Some states do not allow the exclusion or limitation of incidental or consequential damages or limitation on how long an implied warranty lasts, so the above limitations and exclusions may not apply to you.

This warranty gives you specific legal rights, and you may also have other rights which vary from state to state.

Celestron reserves the right to modify or discontinue, without prior notice to you, any model or style telescope.

If warranty problems arise, or if you need assistance in using your telescope mount contact:

Celestron
Customer Service Department
2835 Columbia Street
Torrance, CA 90503
Tel. 800.421.9649
Monday-Friday 8AM-4PM PST

NOTE: This warranty is valid to U.S.A. and Canadian customers who have purchased this product from an authorized Celestron dealer in the U.S.A. or Canada. Warranty outside the U.S.A. and Canada is valid only to customers who purchased from a Celestron's International Distributor or Authorized Celestron Dealer in the specific country. Please contact them for any warranty service.



FCC Note: This equipment has been tested and found to comply with the limits for a Class B digital device, pursuant to part 15 of the FCC Rules. These limits are designed to provide reasonable protection against harmful interference in a residential installation. This equipment generates, uses, and can radiate radio frequency energy and, if not installed and used in accordance with the instructions, may cause harmful interference to radio communications. However, there is no guarantee that interference will not occur in a particular installation. If this equipment does cause harmful interference to radio or television reception, which can be determined by turning the equipment off and on, the user is encouraged to try to correct the interference by one or more of the following measures:

- Reorient or relocate the receiving antenna.
- Increase the separation between the equipment and receiver.
- Connect the equipment into an outlet on a circuit different from that to which the receiver is connected.
- Consult the dealer or an experienced radio/TV technician for help.

Product design and specifications are subject to change without prior notification.

This product is designed and intended for use by those 14 years of age and older.

www.celestron.com
2835 Columbia Street • Torrance, CA 90503 U.S.A.
Telephone: 800.421.9649
©2017 Celestron • All rights reserved.





CGX

MONTURE POUR TÉLESCOPES GAMME ÉQUATORIALE ALLEMANDE

MODE D'EMPLOI

Modèle #91530-1

TABLE DES MATIÈRES

Introduction	5
Configuration système requise	5
Liste des composants	5
Présentation générale	6
Assemblage	8
Commencer	10
Alignement polaire de la monture	11
Alignement polaire précis.	12
Champ de mouvement de la monture	12
Régler la monture pour les latitudes très hautes ou très basses	13
Port USB	13
Port AUX	13
Port Autoguide	13
Commande à main NexStar+	14
Catalogue des objets	18
Orientations vers un objet	18
Annexe A: Mettre à jour le logiciel interne de votre monture et de votre commande à main	24
Annexe B: Nettoyage et entretien	25
Garantie limitée de deux ans de Celestron	26

Introduction



Avertissement

- Ne regardez jamais directement le Soleil à l'œil nu ou avec un télescope, à moins d'utiliser un filtre adapté. Cela pourrait entraîner des lésions oculaires permanentes et irréversibles.
- N'utilisez jamais votre télescope pour projeter une image du Soleil sur une surface quelconque. Une concentration de chaleur dangereuse peut être générée et endommager le télescope et les accessoires attachés.
- Ne jamais utiliser un filtre solaire d'oculaire ou une cale de Herschel. La concentration de chaleur au sein du télescope peut entraîner des dommages à ces accessoires, laissant la lumière du Soleil non filtrée arriver directement à vos yeux.
- Ne jamais laisser le télescope sans surveillance. Le télescope doit être supervisé par une personne familiarisée avec son fonctionnement à tout moment, et plus spécialement lorsque des enfants sont présents.

Configuration Système Requise

- La CGX nécessite une alimentation CC de 12 volts avec au moins 4 ampères. Un adaptateur secteur CA vers CC 12V 5A est vendu par Celestron et inclus un connecteur fileté, dont l'utilisation est recommandée. Des batteries externes de 12V sont également capables d'alimenter l'appareil. La monture inclus un câble d'alimentation CC équipé d'une prise allume-cigare.
- Le télescope doit être équipé d'une barre de monture en queue d'aronde de format soit G-5/Vixen ou CGE/Losmandy D. CGX peut recevoir l'une ou l'autre de ces montures sur la selle de queue d'aronde.
- Pour garantir les meilleures performances d'utilisation, le poids total du télescope avec ses accessoires ne doit pas dépasser 25 kg (55 lbs), contrepoids non inclus.
- Windows 7/10 pour l'utilisation du logiciel de contrôle du télescope.
- Câble USB avec connecteur standard A lorsque branché dans le port USB de la monture (pour interface avec un PC seulement).
- Tournevis cruciforme (facultatif, pour réglage des mécanismes uniquement).

Liste des Composants

Boîte 1 : Monture équatoriale 91530-1 CGX

Tête de monture équatoriale CGX
Clef Allen 8 mm (intégrée à la poignée arrière de la monture)
Barre du contrepoids et boulon d'arrêt
3 vis à tête hexagonale 8mm (pour fixer la tête au trépied)
Câble d'alimentation CC 12V
Commande à main NexStar+

Boîte 2 : Trépied CGX et contrepoids

Trépied
2 contrepoids de 5 kg (11 lbs.)
Plateau à accessoires
Molette et rondelle du plateau à accessoires (vissée dans la colonne centrale du trépied)

Présentation Générale

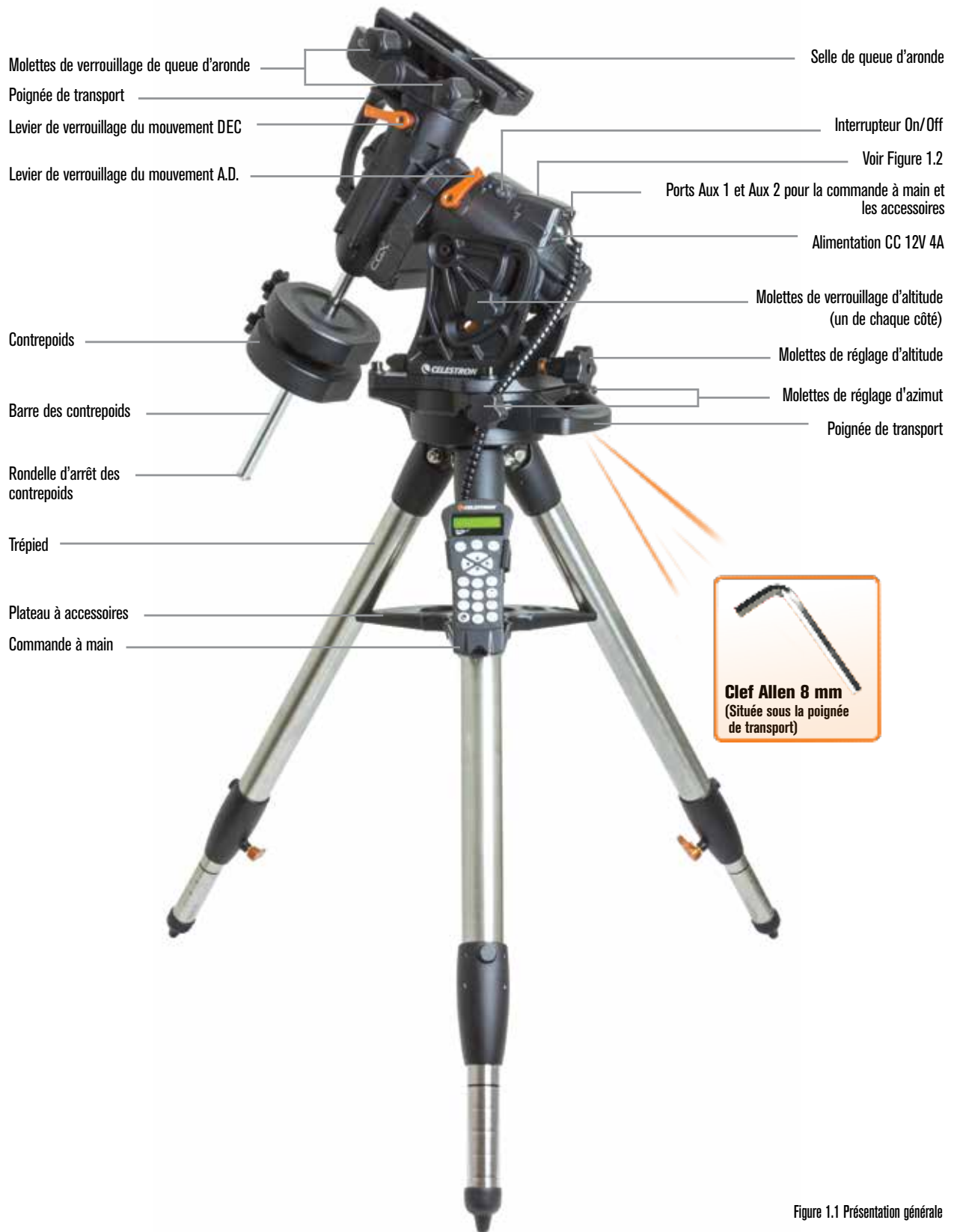


Figure 1.1 Présentation générale



Figure 1.2 Présentation générale

Assemblage

Sortez tout le contenu des boîtes et suivez les étapes suivantes pour assembler votre monture. Si vous avez acheté la CGX seule, alors le trépied inclus 2 contrepoids de 5 kg (11 lbs). Si vous avez acheté la CGX avec un tube optique de grande taille, des poids supplémentaires peuvent être inclus pour garantir l'équilibre.

Note : La clef Allen de 8 mm est présente sous la poignée arrière de la monture, comme illustré dans la Figure 1.1.

Installation du pied

1. Mettez le trépied à la verticale et étirez les jambes, jusqu'à ce que chacune soit complètement déployée.
2. Retirez l'écrou du support du trépied et la rondelle de la colonne centrale fixée sur le haut du trépied (Figure 2.1 & 2.2).
3. Positionnez le plateau à accessoires sur la colonne centrale de manière à ce que les trois bras du plateau supportent chacun un pied du trépied.
4. Vissez la molette avec la rondelle dans la colonne et serrez fermement. Le plateau à accessoires ne doit pas pouvoir bouger dans le trépied. (Figure 2.1 & 2.2).
5. Réglez la hauteur du trépied en ouvrant les leviers de verrouillage situés sur le bas du pied du trépied. Réglez ensuite la longueur de chaque pied comme nécessaire puis resserrez les molettes, une à la fois. Les pieds sont pourvus de marquages, pour vous aider à les mettre à niveau.



Figure 2.1 Positionnement du trépied



Figure 2.2 Positionnement du trépied

Fixer la monture à votre trépied

1. Positionnez la tête sur le trépied de manière à ce qu'elle soit bien posée au niveau de la jonction.
2. Pour améliorer la stabilité de l'ensemble, orientez la monture de manière à ce que la barre des contrepoids se trouve au-dessus d'une jambe du trépied, comme illustré dans les figures Figures 1.1 et 1.2. Notez que vous pouvez également positionner la barre des contrepoids entre deux pieds du trépied, ce qui peut se révéler utile sur les basses latitudes, en donnant plus de liberté de mouvement aux contrepoids.
3. Utilisez la clef Allen de 8 mm (Figure 3) pour serrer les 3 boulons de fixation sur la monture.



Figure 3 Fixer la monture à votre trépied

Alignement polaire grossier de la monture

Avant d'ajouter des poids sur le trépied et la monture, positionnez la monture de manière à ce qu'elle pointe généralement vers le nord (ou le sud si vous résidez dans l'hémisphère sud), et réglez votre latitude. Desserrez les deux molettes de verrouillage de la latitude, puis faites tourner la molette de réglage de la latitude (Figure 1.1) jusqu'à ce vous ayez réglé la latitude dans les environs de l'information donnée sur l'indicateur de latitude (Figure 1.2). Resserrez ensuite les molettes de latitude. L'indicateur de latitude est conçu pour permettre un alignement polaire grossier. Vous obtiendrez un alignement polaire plus précis plus tard, avec l'aide de la commande à main électronique.

Ajouter les contrepoids

Retirez le boulon d'arrêt situé à l'extrémité de la barre des contrepoids, ajoutez les contrepoids, puis revissez le boulon d'arrêt sur la barre. Veillez à ce que la barre de contrepoids pointe toujours vers le bas (Figure 1,1).

Fixation du tube du télescope sur la monture

1. Assurez-vous que chacun des leviers de verrouillage du mouvement A.D. et DEC sont serrés.
2. Desserrez les molettes de la selle de queue d'aronde de manière suffisante pour permettre d'installer la queue d'aronde sur la selle. Assurez-vous d'orienter la flèche dans la même direction que la poignée avant (Figure 4).
3. Faites glisser la barre en queue d'aronde du télescope sur la selle de la monture. Fixez le télescope avec les deux molettes de verrouillage (Figure 5).

La CGX peut recevoir la queue d'aronde large de Celestron de style CGE ainsi que les queues d'aronde de plus petite taille de style CG-5, qui sont compatibles avec les queues d'aronde du style Losmandy D¹ et Vixen².

- ¹ Vérifiez que votre barre en queue d'aronde de style Losmandy peut être installée, avant de la fixer de manière plus définitive. Les dimensions et les angles des queues d'aronde de différents fabricants peuvent varier.
- ² Vérifiez que votre barre en queue d'aronde de style Vixen peut être installée, avant de la fixer de manière plus définitive. Gardez à l'esprit que certaines queues d'aronde du style Vixen ne sont pas plates et que leur épaisseur varie sur la longueur de la barre. Il se peut que la longueur de la section plate peut affecter son insertion sur la selle de la monture.



Figure 4 Fixer la monture à votre trépied



Figure 5 Queue d'aronde du télescope fixée de manière correcte

ÉQUILIBRER LA MONTURE

Axe d'ascension droite : Déverrouillez avec précaution le levier de verrouillage du mouvement A.D. et positionnez la barre des contrepoids à l'horizontale. Sans lâcher complètement le télescope, observez dans quel sens le télescope se penche naturellement. Faites glisser le contrepoids comme requis de manière à ce que le télescope ne bouge pas de lui-même sur l'axe A.D.

Axe de déclinaison : En ayant toujours la barre des contrepoids à l'horizontale, déverrouillez avec précaution le levier de verrouillage de mouvement DEC et observez dans quel sens le tube optique penche naturellement (Figure 6). Faites glisser le tube optique vers l'avant ou vers l'arrière jusqu'à obtention de l'équilibre. Si vous utilisez un grand télescope plus lourd, orientez le télescope en position d'origine de nouveau avant de desserrer les molettes de verrouillage de la selle de queue d'aronde.



Figure 6 Équilibrage de la monture

Installation du support de la commande à main

Enroulez la sangle à crochet et boucle autour du pied du trépied puis placez la commande à main dans le support.

Brancher la commande à main

Branchez la commande à main NexStar+ dans l'un des ports Aux.

⚠ Avertissement : Ne pas brancher la commande à main dans le port Autoguide. Cela pourrait endommager la monture ou la commande à main. De manière similaire, ne pas brancher de câble d'autoguide dans le port Aux sous risque de dommages.

Position d'origine

La monture est en position « d'origine » lorsque la barre du contrepoids est orientée vers le bas et que le télescope est pointé sur l'axe polaire de la monture, comme illustré dans la Figure 7. Les moteurs intégrés de la monture la placeront sur sa position d'origine lorsque vous l'allumez (vous pouvez en savoir plus dans la section « Commencer »), mais vous pouvez toujours la positionner manuellement avant d'allumer la monture. Déverrouillez simplement les deux leviers de verrouillage.



Figure 7 Télescope en position d'origine

Commencer

Maintenant que votre monture est assemblée et alignée sur l'axe polaire, vous pouvez l'allumer.

Allumer la monture

La monture CGX peut être alimentée via l'adaptateur pour batterie de voiture CC 12V, avec au moins 4 ampères. Vous pouvez également utiliser l'adaptateur secteur facultatif offrant un courant CC 12V 4A. Les adaptateurs secteur à connecteurs en barillet filetés sont disponibles à la vente chez Celestron.

Position d'origine et informations de site

1. Branchez la commande à main NexStar+ dans l'un des ports Aux. Vous pouvez choisir le port Aux 1 ou Aux 2.
2. Branchez le câble d'alimentation dans le port d'alimentation de la monture. Veillez à fixer solidement le câble d'alimentation avec le connecteur en barillet fileté.
3. Faites basculer le bouton d'alimentation en position ON.
4. Lorsque la commande à main indique « CGX Prêt », appuyez sur ENTRÉE deux fois. La monture s'oriente alors sur la position d'origine.
5. Sélectionnez votre position depuis la base de données Villes ou Site personnalisé.
 - Dans la base de données Villes, sélectionnez la ville la plus proche de vous.
 - Si vous sélectionnez Site personnalisé, alors vous devrez saisir la longitude, la latitude et le fuseau horaire de votre position.
6. Une fois le site définit, définissez la date et l'heure. La CGX est équipée d'un système RTC (Real-Time Clock) qui mémorise les informations de la date, de l'heure et de position jusqu'à la prochaine fois que vous utiliserez la monture.

Alignement

Conditions à remplir : La monture doit être généralement alignée sur l'axe polaire, avec les informations de date, d'heure et de position saisies comme illustré dans cette étape.

1. Pour obtenir le meilleur alignement possible, choisissez Alignement deux étoiles puis appuyez sur Entrée.

Vous pouvez choisir depuis Système Solaire, Une étoile, Dernier alignement, Alignement rapide. Les boutons de défilement 6 et 9 sont utilisés pour faire défiler n'importe quelle liste affichée sur la commande à main.

- Sélectionnez la première étoile dans la liste des étoiles nommées. Utilisez les boutons de défilement 6 (haut) et 9 (bas) sur le clavier pour faire défiler la liste des étoiles nommées. Ces dernières sont en effet les plus lumineuses et donc les plus simples à trouver. Appuyez sur ENTRÉE lorsque vous avez choisi une étoile adaptée. Si votre monture est au minimum grossièrement alignée sur l'axe polaire, alors la monture s'orientera approximativement sur l'étoile.

La sélection d'étoiles offertes par défaut se trouve à l'ouest du méridien. Si le ciel est obstrué à l'ouest, vous pouvez choisir des étoiles présentes à l'est du méridien en appuyant sur le bouton MENU du pavé numérique.

- Utilisez les boutons de direction pour orienter le télescope vers l'étoile nommée sélectionnée et centrez-la dans le viseur du télescope puis appuyez sur ENTRÉE.

La monture ajustera automatiquement la vitesse des moteurs pour effectuer un centrage précis.

- En utilisant les boutons de direction, centrez l'étoile dans l'oculaire de votre télescope et appuyez sur ALIGNER.
- Sélectionnez une seconde étoile depuis la liste et répétez le processus des étapes 2-4. Lorsqu'il vous est demandé d'ajouter une étoile de calibration, vous pouvez soit appuyer sur RETOUR pour terminer l'alignement, ou pour obtenir de meilleurs résultats, ajouter une étoile de calibration.

Pour obtenir les meilleurs résultats possibles, ajoutez au moins une étoile de calibration. Cela améliorera la précision de pointage de votre monture.

- Lorsqu'il vous est demandé d'« Ajouter une étoile de calibration », choisissez une étoile dans la liste puis appuyez sur ENTRÉE. La monture s'orientera de l'autre côté du méridien et ajoutera une étoile de calibration.
- Centrez et alignez l'étoile comme vous l'aviez fait avec les deux premières étoiles d'alignement : Centrez-la dans le viseur, appuyez sur ENTRÉE, centrez l'étoile dans l'oculaire puis appuyez sur ALIGNER.
- Lorsqu'il vous est proposé d'ajouter autre une étoile de calibration, vous pouvez le faire, ou appuyer sur RETOUR pour terminer l'alignement.

Sélection d'un objet

Sélectionnez dans la base d'objets dans la catégorie Système Solaire, Étoiles ou Ciel profond. Dans ces menus (boutons 1, 2 ou 3) vous pouvez sélectionner un objet par son nom ou par son numéro dans un catalogue reconnu (par exemple M42 pour Messier 42).

Appuyez sur les boutons 6 et 9 (haut ou bas) pour naviguer dans une liste de la commande à main. Appuyez sur ENTRÉE sélectionner un objet de la liste.

Par exemple, pour sélectionner puis orienter sur l'objet du ciel profond Messier M42 :

- Appuyez sur CIEL PROFOND puis ENTRÉE
- Défilez vers le bas (bouton 9) sur Messier puis appuyez sur ENTRÉE.
- Appuyez sur « 0-4-2 » sur le clavier, puis sur le bouton ENTRÉE.

La fonction Sky Tour (bouton 5) est parfaite pour explorer le ciel sans avoir à utiliser une charte d'étoiles. La fonction Tour générera une liste des objets les plus intéressants à observer selon votre position géographique et temporelle.

Alignement Polaire de la Monture

La fonction aller à électronique est capable de localiser des objets, même si la monture n'est pas parfaitement alignée sur l'axe polaire. Cependant, l'alignement polaire est nécessaire pour garantir le suivi le plus précis possible. Ceci est essentiel en astrophotographie. Lorsqu'elle est alignée sur l'axe polaire, une monture équatoriale peut suivre un objet en un mouvement unique, en le gardant centré dans l'oculaire ou la caméra.

Le système d'alignement polaire de la CGX se compose d'un compensateur d'altitude et d'un compensateur d'azimut (Figure 8).

Un viseur polaire facultatif est disponible chez Celestron et se fixe sur la monture. Le viseur polaire facultatif ne passe au-travers de l'axe A.D. parce que cette zone est utilisée pour le câblage intérieur. Si vous n'utilisez pas le viseur polaire facultatif, vous pouvez effectuer un alignement polaire grossier en regardant dans le viseur de votre télescope et orienter la monture jusqu'à ce que Polaris soit centrée dans l'oculaire de votre télescope. Cela garantira que vous-vous trouviez dans trois quarts d'un degré du Pôle nord céleste (PNC).

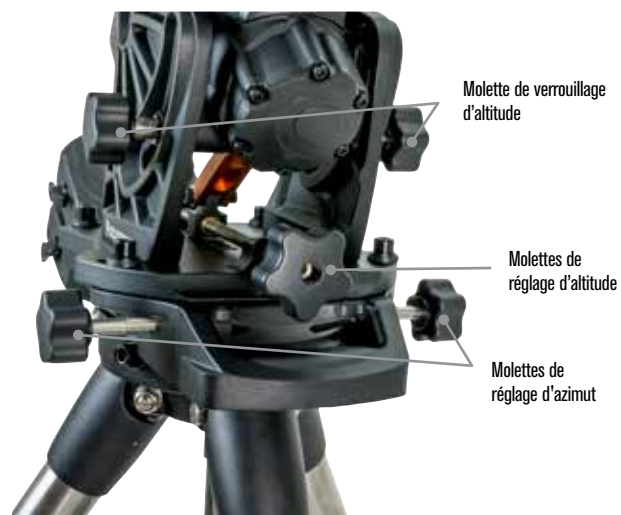


Figure 8 Ajustements pour alignement polaire

Alignement Polaire Précis

La fonction All-Star Polar Alignment de Celestron vous permet d'effectuer un alignement polaire précis sans utiliser Polaris ni un viseur polaire. Cette méthode d'alignement polaire assistée par logiciel vous permet de sélectionner une étoile facile à observer.

Conditions à remplir : La CGX doit être alignée avec Deux étoiles, Une étoile, ou Système Solaire.

1. Sélectionnez une étoile brillante observable dans la base de données de la commande à main NexStar. Orientez le télescope vers l'étoile.
2. Appuyez sur Aligner. Sélectionnez « Alignement polaire » puis « Aligner la monture » depuis la liste.
3. Le télescope s'orientera alors sur l'étoile d'alignement et vous demandera de la centrer dans l'oculaire pour le « synchroniser » sur l'étoile.
4. Appuyez sur Aligner et le télescope pivotera pour pointer sur la position de l'étoile s'il est correctement aligné polairement.
5. Utilisez les réglages de latitude et d'azimut pour placer l'étoile au centre de l'oculaire. Ne pas utiliser les boutons de direction de la commande à main pour centrer l'étoile.
6. Appuyez sur Entrée. L'alignement polaire est terminé.

Champ de Mouvement de la Monture

Limitation de champ logicielle

La CGX utilise une limitation logicielle pour les capteurs qui détecte lorsque la monture s'approche de ses limites mécaniques. Lorsque la monture atteint le détecteur, les moteurs ralentissent puis s'arrêtent et le message d'avertissement « Détecteur de limite » apparaît. La monture ne se déplacera plus dans la direction dont le détecteur a été déclenché.

Limitation de champ mécanique

La CGX comporte des câblages internes, elle est donc conçue pour ne pas pouvoir s'orienter au-delà d'une certaine limite. Chaque axe est limité par un limiteur matériel. Cette limitation de champ de mouvement peut également aider à réduire les interférences non voulues entre le télescope et la monture ou le trépied. Si pour une raison inconnue la monture dépasse la limitation logicielle (ou si les leviers de verrouillage de mouvement sont ouverts et que la monture est déplacée manuellement), la monture sera arrêtée par ces limiteurs matériel.

Le limiteur A.D. (Figure 9.1) permet de suivre 20° au-delà du méridien. Si vous ne surveillez pas la monture pendant qu'elle suit un objet, elle s'arrêtera automatiquement avant d'atteindre un limiteur matériel.

Le limiteur DEC (Figure 9.2) donne assez de champ pour pivoter vers n'importe quelle portion du ciel.



Figure 9.1 Un côté du limiteur A.D. matériel



Figure 9.2 Un côté du limiteur DEC matériel

Régler la Monture Pour les Latitudes Très Hautes ou Très Basses

La tête équatoriale peut être positionnée de 3 manières sur le trépied. Ces trois positions peuvent également être utilisées pour optimiser l'équilibre du trépied. La monture est livrée installée sur la position centrale, qui fonctionne avec les latitudes comprises entre 20 et 55°. Si vous souhaitez utiliser la monture sur des latitudes en dessous de 20°, déplacez la monture vers l'avant, et si vous souhaitez observer au-delà de 55°, déplacez-la vers l'arrière.

1. Retirez la tête du trépied en retirant les trois vis à tête creuse.
2. Retirez avec précaution les huit vis à tête creuse situées sous la tête. Une fois retirées, le mécanisme de réglage d'altitude sera la seule chose retenant la tête EQ à la plaque inférieure.
3. Faites tourner la molette de réglage d'altitude jusqu'à ce que les trous filetés du dessous de la monture soient alignés sur ceux que vous souhaitez utiliser. Déplacez la plaque vers l'avant (dans la direction du bras des contrepoids) si vous souhaitez utiliser des latitudes plus faibles. Déplacez la plaque vers l'arrière (dans la direction opposée au bras des contrepoids) si vous souhaitez utiliser des latitudes plus élevées (Figure 10).

Port USB

Le port USB de votre CGX est utilisé uniquement pour interfacer avec un PC pour :

1. Utiliser le logiciel de contrôle du télescope dédié.
2. Mettre à jour le logiciel de contrôle des moteurs.

Branchez simplement un câble USB de type A entre le port USB de la monture et un port de votre PC. La monture devrait alors effectuer automatiquement l'installation.

Le port USB de la monture n'est pas prévu pour la connexion avec le logiciel de contrôle ASCOM ou autre logiciel tierce partie. Pour contrôler votre monture via ASCOM, connectez votre PC à la commande à main NexStar+ via le port mini USB.

Ports Aux

Les ports Aux 1 et Aux 2 peuvent être utilisés avec la commande à main NexStar+, ou avec des accessoires optiques optionnels comme StarSense AutoAlign et le module Wi-Fi SkyPortal.

Port Autoguide

Le port Autoguide doit être utilisé uniquement avec les relais de caméra autoguide.

ATTENTION : Ne jamais brancher la commande à main NexStar+ ni un autre accessoire au port autoguide. Cela pourrait entraîner des dommages.



POSITION PAR DÉFAUT



POSITION RETOUR



POSITION AVANT

Figure 10 Changer la position de la monture sur la tête du trépied.

Commande à Main NexStar+

1. **Afficheur à cristaux liquides (LCD) :** Rétroéclairage rouge pour une vision nocturne confortable des informations du télescope et du déroulement de texte. Retirez le film transparent de l'écran avant d'utiliser.
2. **Alignement :** Indique au télescope de commencer la procédure d'alignement par défaut. Est également utilisé pour sélectionner une étoile ou objet comme position d'alignement.
3. **Boutons de direction :** Permet le contrôle complet de votre télescope dans toute direction. Utiliser les clés de direction pour centrer les objets dans l'oculaire ou pour orienter manuellement votre télescope.
4. **Boutons de catalogue :** Permet l'accès direct à chacun des catalogues principaux dans la base de données de milliers d'objets.

Votre télescope contient les catalogues suivants dans sa base de données :

- **Système Solaire**- Les 7 planètes de notre système solaire plus la Lune, le Soleil et Pluton.
 - **Étoiles**- Listes personnalisées des étoiles les plus brillantes, étoiles doubles, étoiles variables, constellations et astérismes.
 - **Ciel Profond**- Listes personnalisées des meilleures galaxies, nébuleuses et amas ainsi que la totalité du catalogue Messier et objets de la liste NGC
5. **Identifier :** Recherche dans la base de données du télescope et affiche le nom et distances décalées des objets correspondants les plus proches.
 6. **Menu :** Affiche les fonctions de paramétrage et d'utilitaires, tels que taux de pistage et objets définis par l'utilisateur et autres.
 7. **Option (Logo Celestron) :** Fonctionne comme le bouton MAJ sur le clavier et peut être utilisée en combinaison avec d'autres clés pour accéder à d'autres fonctions et caractéristiques plus avancées à être ajoutés lors de mise à jour future de micrologiciel.
 8. **Entrée :** Appuyer sur ENTRÉE vous permet de sélectionner toute fonction du télescope, d'accepter les paramètres entrés et orienter le télescope vers les objets affichés.
 9. **Retour :** Retour vous sortira du menu courant et affichera le précédent niveau du chemin de menu. Appuyer sur RETOUR de manière répétée pour revenir au menu principal ou pour effacer des données entrées par erreur.
 10. **Sky Tour :** Active le mode tour guidé, lequel recherche tous les meilleurs objets célestes et oriente automatiquement votre télescope vers ces objets.
 11. **Boutons de défilement :** Utilisé pour défiler vers le HAUT ou le BAS dans toute liste de menu. Un symbole de flèche double à la droite de l'écran signifie que les touches de défilement peuvent être utilisées pour voir des informations supplémentaires. Les boutons ont une forme surélevée pour les retrouver facilement sans regarder.



Figure 11



Figure 11,2

12. **Vitesse des moteurs :** Semblable au bouton de Taux sur la commande à main NexStar originale, il permet de modifier la vitesse du moteur lorsqu'on appuie sur les clés de direction.
13. **Informations sur objet :** Affiche les coordonnées et les informations importantes sur les objets sélectionnés depuis la base de données de votre télescope.
14. **Port Mini USB (câble non inclus) :** Permet d'effectuer la connexion du télescope pour le contrôler avec le logiciel installé sur un PC, ou des mises à jour du micrologiciel.
15. **Menu d'aide :** Dans les mises à jour futures du micrologiciel, ce bouton offrira des astuces de dépannage. Pour simplicité, est actuellement utilisé comme raccourci au catalogue Messier.

Sélection d'un objet

Dès que le télescope est aligné correctement, vous pouvez sélectionner un objet dans n'importe quel catalogue de la base de données de commande à main NexStar+. La commande à main comporte une touche dédiée à chaque catégorie d'objets contenus dans sa base de données Système Solaire, Étoiles et Ciel profond.

- **Système Solaire** - Le catalogue Système Solaire affichera toutes les planètes (et la Lune) dans notre Système Solaire qui sont actuellement visibles dans le ciel. Pour permettre au soleil d'être affiché en option dans la base de données, reportez-vous à l'option Permettre soleil dans la section Paramètres de base de données du manuel.
- **Étoiles** - Le catalogue Étoiles affiche une liste personnalisée des étoiles les plus brillantes, étoiles doubles (binaires), étoiles variables et astérismes remarquables.
- **Ciel Profond** - Le catalogue Ciel Profond affiche une liste des meilleures Galaxies, Nébuleuses et amas d'étoiles, ainsi que le Messier complet et objets NGC. Il existe également une liste alphabétique de tous les objets du ciel profond en ordre de nom commun.

Utilisez les boutons de défilement pour défiler à travers les catalogues afin de trouver l'objet que vous désirez observer. Lors d'un défilement à travers une longue liste d'objets, maintenir enfoncé le bouton HAUT ou BAS vous permettra de défiler plus rapidement à travers le catalogue.

Orientation vers un objet

Dès que l'objet sélectionné est affiché sur l'écran de la commande à main, vous avez deux options:

- **Appuyez sur le bouton INFOS SUR L'OBJET.** Cela vous donnera de l'information utile sur l'objet sélectionné tel que magnitude, constellation et information supplémentaire sur les objets les plus populaires.
 - Utiliser les flèches HAUT/BAS pour faire défiler les infos sur l'objet sélectionné
 - Utiliser le bouton RETOUR pour retourner à la base de données de l'objet
- **Appuyez sur le bouton ENTRÉE.** Cela orientera automatiquement le télescope vers les coordonnées de l'objet affiché sur la commande. Tandis que le télescope s'oriente vers l'objet, l'utilisateur peut toujours accéder à plusieurs fonctions de la commande à main (tel qu'afficher l'information sur l'objet).

NOTE : Les catalogues Messier, NGC et SAO nécessitent la saisie d'une désignation numérique. Dès que vous avez appuyé sur le bouton correspondant au catalogue en question et sélectionné le catalogue Messier, NGC ou SAO, vous verrez un curseur clignotant indiquant que vous êtes en mode de saisie numérique.

Saisissez le numéro de catalogue correspondant à l'objet que vous désirez voir. Appuyer sur ENTRÉE pour faire orienter le télescope vers l'objet, ou maintenir enfoncé le bouton OPTION (logo Celestron) et appuyer sur INFO OBJET pour consulter l'information sur l'objet sélectionné.

ATTENTION : Ne faites jamais pivoter le télescope lorsque quelqu'un est en train de regarder dans l'oculaire. Le télescope peut se déplacer à haute vitesse et des blessures pourraient en résulter.

Bouton vitesse du moteur

Le bouton VITESSE DE MOTEUR, semblable au bouton Taux sur la commande à main NexStar originale, permet de modifier instantanément la vitesse des moteurs de taux d'orientation à haute vitesse vers un taux de guidage précis ou n'importe quel taux entre les deux. Chaque taux correspond à un numéro sur le clavier numérique de la commande à main. Le numéro 9 est le taux le plus rapide (approximativement 3,5° par seconde, dépendant du montage) et est utilisé pour s'orienter entre les objets et localiser les alignements d'étoiles. La touche numéro 1 est la vitesse la plus lente (demi sidéral) et peut être utilisée pour un centrage précis des objets dans l'oculaire.

Pour modifier la vitesse des moteurs :

- Appuyez sur le bouton VITESSE DU MOTEUR sur la commande à main. L'afficheur à cristaux liquides affichera la vitesse actuelle des moteurs.
- Appuyez sur le numéro de la commande à main qui correspond à la vitesse désirée.

La commande à main a une caractéristique «bouton double» qui permet d'accélérer la vitesse des moteurs sans avoir à spécifier de vitesse. Pour utiliser cette caractéristique, appuyer simplement sur la flèche qui correspond à la direction d'orientation désirée du télescope. Tout en appuyant sur cette touche, appuyez sur le bouton de navigation opposé. Ceci augmentera la vitesse de d'orientation à son maximum.

Lorsque vous utilisez les boutons de direction HAUT/BAS, les taux d'orientation les plus lents (6 et moins) déplacent les moteurs en direction opposée des taux d'orientation plus rapides (7 - 9). Ceci est effectué pour qu'un objet s'oriente dans la bonne direction lorsque vous regardez dans l'oculaire (c.-à-d. appuyer sur la flèche HAUT déplacera l'étoile vers le haut dans le champ de vision de l'oculaire). Mais, si vous utilisez l'un des taux de pivot les moins élevés (6 et moins) pour effectuer le centrage dans le starpointer, alors vous devrez utiliser les boutons de la direction opposée.

Menu du contrôle manuel

Le menu « Contrôle manuel » vous permet de personnaliser certaines caractéristiques du contrôle manuel NexStar+. Pour accéder à ce menu, appuyez sur le bouton MENU (#7 sur le pavé numérique) et utilisez les boutons de défilement pour sélectionner « Contrôle manuel » puis appuyez sur ENTRÉE. Utilisez les boutons de défilement pour choisir l'une des options suivantes :

- **Contrôle d'éclairage** : Pour régler de manière indépendante l'éclairage des boutons et de l'écran LCD.
- **Menu de Défilement** : Pour régler la vitesse à laquelle les mots défilent sur l'écran LCD.
- **Activer les caractères gras** : Pour modifier le format de police des caractères affichés à l'écran LCD entre normal et gras.
- **Définir le Contraste** : Utilisez les boutons de défilement pour régler le contraste de l'écran LCD.
- **Langue d'interface** : Pour modifier le langage d'affichage de l'écran LCD.

NOTE : L'option de langage peut également s'afficher lors de la première utilisation du contrôle manuel. Cette option peut également être affichée en maintenant le bouton Option (le logo Celestron) pendant 10 secondes pendant l'allumage du télescope.

Procédures d'alignement

Pour que le télescope pointe avec précision vers des objets dans le ciel, il doit d'abord être aligné sur des positions connues (étoiles) dans le ciel. Avec cette information, le télescope peut créer un modèle du ciel, qu'il utilise pour localiser n'importe quel objet avec des coordonnées connues. Il y a plusieurs façons d'aligner votre télescope avec le ciel selon les informations que l'utilisateur est en mesure de fournir :

- **Alignement deux étoiles** utilise les informations horaires/de lieu et permet à l'utilisateur de choisir les deux étoiles vers lesquelles le télescope s'orientera automatiquement.
- **Alignement une étoile** utilise les mêmes informations horaires/de lieu mais n'utilise qu'une étoile pour l'alignement.
- **L'alignement Solar System** affichera une liste des objets visibles en plein jour (planètes et la Lune) disponibles actuellement afin d'aligner le télescope.
- **Alignement Rapide** requiert que vous entriez la même information que vous le feriez avec la procédure Alignement deux étoiles. Cependant, au lieu d'orienter vers des étoiles d'alignement pour le centrage et l'alignement, le télescope n'utilise qu'une étoile pour modéliser le ciel selon les informations saisies.
- **Dernier alignement** permet de recharger automatiquement le dernier alignement et positionnement effectué. La fonction Dernier alignement est aussi pratique comme sécurité au cas où le télescope perdrait l'alimentation.

Alignement deux étoiles

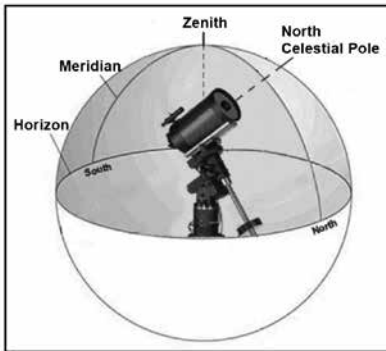
L'alignement deux étoiles permet à l'utilisateur de sélectionner deux étoiles avec lesquelles effectuer l'alignement du télescope. Pour aligner votre télescope à l'aide de la méthode deux étoiles :

1. Sélectionner Alignement deux étoiles à partir des options d'alignement. Selon les informations de date et d'heure saisies, la commande à main sélectionnera et affichera automatiquement une étoile brillante située au dessus de l'horizon.
 - Appuyez sur ENTRÉE pour définir cette étoile comme première étoile d'alignement.
 - Si pour une raison ou une autre cette étoile n'est pas visible (par exemple un arbre ou un bâtiment), appuyez sur RETOUR pour que la commande à main sélectionne automatiquement la prochaine étoile brillante.
 - Vous pouvez également utiliser les touches haut/bas pour parcourir la liste complète des étoiles nommées, et ainsi sélectionner n'importe laquelle des deux-cent étoiles d'alignement disponibles.
2. Dès que l'orientation est terminée sur la première étoile, l'afficheur demandera d'utiliser les flèches pour aligner l'étoile sélectionnée avec la croix de visée au centre du chercheur. Une fois centré dans le chercheur, appuyer sur ENTRÉE. L'afficheur vous demandera alors de centrer l'étoile dans le champ de vision de l'oculaire. Lorsque l'étoile est centrée, appuyer sur ALIGNER pour accepter cette étoile en tant que première étoile d'alignement.
3. Une fois la première étoile saisie, la commande à main sélectionnera automatiquement une seconde étoile, et vous devrez alors effectuer cette procédure de nouveau. Une fois l'alignement effectué sur les deux étoiles, l'affichage vous demandera si vous désirez ou non ajouter des étoiles de calibration additionnelles. Les étoiles de calibration sont utilisées pour améliorer la précision de pointage de votre télescope en compensant les désalignements mécaniques subtiles entre le système optique et la monture. C'est pourquoi il est en général une bonne idée d'ajouter au moins une étoile de calibration pour améliorer la précision d'alignement de la monture sur le ciel.
4. Appuyez sur ENTRÉE pour sélectionner l'étoile de calibration. Sélectionnez l'étoile de la même manière que précédemment avec les deux étoiles d'alignement puis appuyez sur ENTRÉE. Vous remarquerez que toutes les étoiles de calibration sont situées dans le côté opposé de ce côté du ciel (méridien) comparé aux étoiles d'alignement originales. Cela est essentiel pour le processus de calibration précis de la monture. Enfin, vous pouvez choisir d'ajouter plus d'étoiles de calibrations ou appuyer sur RETOUR pour mettre fin au processus.

Note: Filtrage Est/Ouest – pour garantir les meilleures performances de pointage sur ciel total, votre monture électronique filtre et sélectionne automatiquement ses étoiles d'alignement initiales de manière à ce que les deux premières étoiles d'alignement se trouvent d'un côté du méridien et que toute autre étoile se trouve à l'opposé du méridien, comme indiqué par les lettres « O » et « E » dans le coin supérieur droit de l'écran LCD. Le filtrage Est/Ouest peut être modifié en appuyant simplement sur le bouton MENU à tout moment pendant le processus d'alignement.

Astuces pour l'ajout d'étoiles de calibration :

- Bien que pour l'observation de divertissement, les étoiles de calibration supplémentaires ne soient pas nécessaires, il est recommandé d'en ajouter autant que possible pour obtenir une précision de pointage optimale.
- Les étoiles de calibrations proches de l'équateur céleste sont plus adéquates que celles situées près des pôles célestes.
- Bien que les étoiles de calibration ne soient pas nécessaires si la monture n'a pas été déplacée depuis l'alignement/la calibration initial, il pourrait être nécessaire d'effectuer la calibration de nouveau si le tube optique à été déplacé pour quelque raison que ce soit.



Note: Méridien - Une ligne de référence imaginaire dans le ciel qui commence au pôle Nord céleste et se termine au pôle Sud céleste et passe par le zénith. Si vous êtes face au sud, le méridien commence à partir de votre horizon sud et passe directement au-dessus du pôle Nord céleste.

Alignement rapide

L'alignement rapide utilise les informations de date et d'heure saisies au démarrage pour aligner le télescope. Cependant, au lieu d'orienter vers des étoiles d'alignement pour le centrage et l'alignement, le télescope n'utilise qu'une étoile pour modéliser le ciel selon les informations saisies. Cela vous permettra d'orienter vers les coordonnées d'objets brillants comme la Lune et des planètes et donnera au télescope l'information nécessaire pour suivre les objets dans toute partie du ciel (selon la précision de l'alignement polaire). Alignement rapide n'est pas destiné à être utilisé pour localiser de petits objets ou objets de faible intensité du ciel profond ou pour suivre précisément des objets pour être photographiés.

Pour utiliser Alignement rapide, sélectionnez simplement Alignement rapide dans la liste des options d'alignement et appuyez sur ENTRÉE. Le télescope utilisera automatiquement les paramètres de date et d'heure pour s'aligner sur le ciel et affichera le message Aligné avec succès.

Note: Une fois Quick-Align effectué, vous pouvez utiliser la fonction de réalignment (voir ci-dessous) pour améliorer la précision de pointage du télescope.

Dernier alignement

Ma méthode Dernier alignement chargera automatiquement les dernières positions d'index mémorisées pour continuer à utiliser l'alignement effectué lorsque le télescope à été éteint pour la dernière fois. Cette fonctionnalité est utile par exemple en cas de perte d'alimentation accidentelle.

Réalignement

La monture possède une fonction de réalignment qui vous permet de remplacer la(les) étoile(s) d'alignement avec une nouvelle étoile ou objet céleste. Cela peut se révéler utile dans plusieurs situations :

- Si vous observez depuis quelques heures, vous remarquerez que vos deux étoiles d'alignement originales se sont considérablement déplacées vers l'ouest. (Rappelez-vous que les étoiles se déplacent à une vitesse de 15° par heure). Aligner sur une nouvelle étoile dans la partie est du ciel améliorera la précision de pointage, spécialement sur des objets dans cette partie du ciel.
- Si vous avez aligné votre télescope en utilisant la méthode Alignement rapide, vous pouvez utiliser le réalignment pour aligner vers un objet maintenant visible dans le ciel. Cela améliorera la précision de pointage de votre télescope sans avoir à entrer d'information supplémentaire.
- Si vous avez utilisé la fonction d'alignement polaire assistée par ordinateur et avez déplacé la monture manuellement, il pourrait être nécessaire d'effectuer la procédure d'alignement de nouveau.

Pour remplacer une étoile d'alignement existante avec une nouvelle étoile d'alignement :

1. Sélectionner l'étoile souhaitée (ou objet) de la base de données et orienter vers celui-ci.
2. Centrez l'objet avec soin dans l'oculaire.
3. Une fois centré, appuyer sur RETOUR pour revenir au menu principal.
4. Une fois le message CGX Prêt affiché, appuyez sur ALIGNER pour sélectionner une étoile d'alignement parmi les options disponibles.
5. L'afficheur vous demandera alors quelle étoile d'alignement vous désirez remplacer. Utilisez les touches de défilement HAUT et BAS pour sélectionner l'étoile d'alignement à remplacer, et appuyez sur ENTRÉE. Il est préférable de remplacer l'étoile la plus proche du nouvel objet. Cela espacera vos étoiles d'alignement à travers le ciel.
6. Appuyer sur ALIGNER pour effectuer la modification.

Catalogue des Objets

Sélectionner un objet

Dès que le télescope est aligné correctement, vous pouvez sélectionner un objet dans n'importe quel catalogue de la base de données de commande à main NexStar+. Le bloc de commande comporte une touche dédiée à chaque catégorie d'objets contenus dans sa base de données : Système Solaire, étoiles et objets du ciel profond.

- **Système Solaire** – Le catalogue Système Solaire affichera toutes les planètes (et la Lune) dans notre Système Solaire et qui sont actuellement visibles dans le ciel. Pour activer l'affichage du soleil comme objet sélectionnable dans la base de données, reportez-vous à l'option Soleil du menu Télescope.
- **Étoiles** – Le catalogue Étoiles affiche une liste personnalisée des étoiles les plus brillantes, étoiles doubles (binaires), étoiles variables et astérismes remarquables.
- **Ciel Profond** – Le catalogue Ciel Profond affiche une liste des meilleures Galaxies, Nébuleuses et amas d'étoiles, ainsi que le Messier complet et objets NGC. Il existe également une liste alphabétique de tous les objets du ciel profond en ordre de nom commun.

Utilisez les touches de DÉFILEMENT pour défiler à travers les catalogues afin de trouver l'objet que vous désirez voir.

Lors d'un défilement à travers une longue liste d'objets, maintenir enfoncé le bouton HAUT ou BAS vous permettra de défiler plus rapidement à travers le catalogue.

Orientation vers un objet

Dès que l'objet sélectionné est affiché sur l'écran de la commande à main, vous avez deux options:

- **Appuyez sur le bouton INFOS SUR L'OBJET.** Cela vous donnera de l'information utile sur l'objet sélectionné tel que magnitude, constellation et information supplémentaire sur les objets les plus populaires.
 - Utiliser les flèches **HAUT/BAS** pour défiler à travers l'info de l'objet sélectionné
 - Utiliser le bouton **RETOUR** pour retourner à la base de données des objets.
- Appuyez sur le bouton **ENTRÉE.** Cela orientera automatiquement le télescope vers les coordonnées de l'objet affiché sur la commande. Tandis que le télescope s'oriente vers l'objet, l'utilisateur peut toujours accéder à plusieurs fonctions de la commande à main (tel qu'afficher l'information sur l'objet).

NOTE : Les catalogues Messier, NGC et SAO nécessitent la saisie d'une désignation numérique. Dès que vous avez appuyé sur le bouton correspondant au catalogue en question et sélectionné le catalogue Messier, NGC ou SAO, vous verrez un curseur clignotant indiquant que vous êtes en mode de saisie numérique. Saisissez le numéro de catalogue correspondant à l'objet que vous désirez voir. Appuyez sur **ENTRÉE** pour faire orienter le télescope vers l'objet, ou maintenir enfoncé le bouton **OPTION** (logo

Celestron) et appuyez sur **INFO OBJET** pour consulter l'information sur l'objet sélectionné.

ATTENTION : Ne faites jamais pivoter le télescope lorsque quelqu'un est entrain de regarder dans l'oculaire. Le télescope peut se déplacer à haute vitesse et des blessures pourraient en résulter.

Bouton SkyTour

La monture CGX offre une fonction de tour qui permet à l'utilisateur de choisir un objet intéressant dans une liste construite selon la date et l'heure à laquelle vous observez. La visite automatique affichera seulement les objets contenus dans le catalogue et selon les limites du filtre personnalisé. Pour activer la fonction visite, appuyez sur **SKY TOUR** sur la commande à main.

1. Appuyez sur le bouton **SKY TOUR** de la commande à main.
2. Utilisez les boutons de **DÉFILEMENT** pour sélectionner À ne pas rater cette nuit.
3. La monture CGX pivotera automatiquement en azimut par rapport à sa position d'origine, ce qui aidera à éviter l'enroulement du câble d'alimentation durant la visite.
4. La commande à main affichera les meilleurs objets à observer qui sont présentement dans le ciel.
 - Pour obtenir de l'information et données sur l'objet affiché, appuyez sur **INFO OBJET**. Appuyez une fois pour afficher les coordonnées de l'objet. Appuyez de nouveau pour afficher les coordonnées de l'objet. Appuyez dessus de nouveau pour afficher le texte descriptif. Appuyez sur **RETOUR** pour revenir à l'écran précédent.
 - Pour orienter le télescope vers l'objet affiché, appuyez sur **ENTRÉE**.
 - Pour voir le prochain objet de la visite, appuyez sur **BAS**.

Bouton d'identification

Appuyez sur le bouton **IDENTIFIER** pour rechercher dans le catalogue des bases de données de la monture et afficher les noms et distances angulaires des objets correspondants les plus proches, en relation avec la position actuelle. Cette fonction peut être utile dans deux cas. Tout d'abord, elle peut permettre d'identifier un objet non identifié contenu dans le champ de l'oculaire. De plus, le mode Identification peut être utilisé pour trouver d'autres objets célestes qui sont proches des objets observés.

Par exemple, si votre télescope est pointé sur l'étoile la plus brillante de la constellation de la Lyre, choisir Identification la nommera à coup sûr comme Vega. Mais, la fonction **IDENTIFIER** effectuera aussi une recherche dans le catalogue NGC et bases de données du Système Solaire et affichera toute planète ou objet du ciel profond dans son environnement proche. Dans cet exemple, la nébuleuse en anneau (M57) serait affichée comme se trouvant à environ 6° de distance.

La luminosité et proximité des objets affichés peuvent être définies à l'aide du filtre Identification dans Configuration du télescope.

Touches de direction

La commande à main contient quatre boutons de direction situés au centre de celui-ci qui contrôlent le déplacement du télescope en altitude (haut et bas) et azimut (gauche et droite). La vitesse de mouvement peut être définie selon 9 vitesses.

1 = 2x	6 = .3° / sec
2 = 4x	7 = 1° / sec
3 = 8x	8 = 2° / sec
4 = 16x	9 = 4° / sec
5 = 32x	

Bouton vitesse du moteur

Le bouton **VITESSE DU MOTEUR** (12) vous permet de modifier immédiatement la vitesse de mouvement des servomoteurs sur une plage allant de haute vitesse à précision selon la situation. Chaque taux correspond à un numéro du pavé numérique. Le numéro 9 est la vitesse la plus rapide (approximativement 3° par seconde, dépendant de la source d'alimentation) et est utilisé pour s'orienter entre les objets et localiser les étoiles d'alignement. Le numéro 1 est la vitesse la plus lente (2x sidéral) et peut être utilisé pour un centrage précis des objets dans l'oculaire. Pour modifier la vitesse des moteurs :

- Appuyez sur le bouton **VITESSE DU MOTEUR** sur la commande à main. L'écran LCD affiche la vitesse actuelle.
- Appuyez sur le numéro de la commande à main qui correspond à la vitesse désirée.

La commande à main a une caractéristique « bouton double » qui permet d'accélérer la vitesse des moteurs sans avoir à spécifier la vitesse. Pour utiliser cette caractéristique, appuyer simplement sur la flèche qui correspond à la direction d'orientation désirée du télescope. Tout en maintenant ce bouton appuyé, pressez la direction opposée. Ceci accélérera le pivot à la vitesse maximum.

Lorsque vous utilisez les boutons **HAUT** et **BAS** de la commande à main, les taux les moins élevés (6 et moins) déplacent les moteurs dans la direction opposée de celle utilisée pour les taux les plus élevés (7 - 9). Ceci est mis en place pour faire en sorte qu'un objet se déplace dans la direction appropriée lorsque vous observez par l'oculaire (par ex., appuyez sur le bouton haut déplacera l'étoile vers le haut lorsque dans le champ de vision de l'oculaire). Mais, si vous utilisez l'un des taux de pivot les moins élevés (6 et moins) pour effectuer le centrage dans le starpointer, alors vous devrez utiliser les boutons de la direction opposée.

Touche Aide

Dans les mises à jour futures du micrologiciel, ce bouton offrira des astuces de dépannage. Pour l'instant, est utilisé comme raccourci au catalogue Messier.

Bouton menu

La monture CGX contient plusieurs fonctions de réglage définies par l'utilisateur conçues pour donner le contrôle des différentes fonctions du télescope à l'utilisateur. Toutes les fonctions et outils peuvent être atteintes en appuyant sur **MENU** et en faisant défiler pour choisir les options ci-dessous.

Menu Suivi

Mode Suivi - cela permet de choisir la manière dont le télescope suit un objet selon le type de monture utilisée pour supporter le télescope. Le produit possède trois différents

- **EQ Nord** - Pour suivre le ciel lorsque le télescope est aligné dans l'hémisphère nord.
- **EQ Sud** - Pour suivre le ciel lorsque le télescope est aligné dans l'hémisphère sud.
- **Désactivé** - Lors de l'utilisation du télescope pour observation terrestre (terrain) la pistage peut être désactivé afin que le télescope ne bouge pas.

Taux de suivi – En plus d'être capable de déplacer le télescope avec les boutons de la commande à main, votre télescope suivra continuellement un objet céleste alors qu'il se déplace dans le ciel nocturne. La vitesse de suivi peut être définie selon le type de l'objet concerné:

- **Sidérale** - Cette vitesse compense pour la rotation de la terre en déplaçant le télescope à la même vitesse de rotation de la terre, mais en direction opposée. Lorsque le télescope est aligné polairement, cela peut être possible en effectuant un mouvement vertical seulement.
- **Lunaire** – Utilisé pour pister la Lune lors d'observation de paysage lunaire.
- **Solaire** – Utilisé pour pister le Soleil lors d'observation solaire en utilisant un filtre solaire adéquat.

Menu Afficher heure-site

Ce menu permet d'afficher l'heure actuelle et la longitude et latitude téléchargées depuis le récepteur GPS optionnel SkySync. Cette option affichera également d'autres informations relatives à l'heure et à l'emplacement telles que le fuseau horaire, l'heure d'été et l'heure sidérale locale. L'heure sidérale locale (LST) est utile pour connaître l'ascension droite des objets célestes qui se trouvent sur le méridien à ce moment. L'option Afficher heure-site affiche toujours la dernière heure et emplacement saisi pendant la connexion avec le GPS. Une fois les informations actualisées reçues, alors celles-ci seront mises à jour sur l'écran. Si le GPS est éteint ou non présent, alors la commande à main n'affichera que la dernière heure et emplacement saisi en dernier.

Menu du contrôle manuel

Le menu « Contrôle manuel » vous permet de personnaliser certaines caractéristiques du contrôle manuel NexStar+. Pour accéder à ce menu, appuyez sur le bouton **MENU** (#7 sur le pavé numérique) et utilisez les boutons de définitivement pour sélectionner « Contrôle manuel » puis appuyez sur ENTRÉE.

Utilisez les boutons de défilement pour choisir l'une des options suivantes :

- **Contrôle d'éclairage** : Pour régler de manière indépendante l'éclairage des boutons et de l'écran LCD.
- **Menu de Défilement** : Pour régler la vitesse à laquelle les mots défilent sur l'écran LCD.
- **Activer les caractères gras** : Pour modifier le format de police des caractères affichés à l'écran entre normal et gras.
- **Contraste** : Utilisez les boutons de défilement pour régler le contraste de l'écran LCD.
- **Langue d'interface** : Pour modifier le langage d'affichage de l'écran LCD.

NOTE : La fonction de sélection de langage peut ne pas apparaître lors du premier allumage de la commande à main. Cette option peut également être affichée en maintenant le bouton Option (le logo Celestron) pendant 10 secondes pendant l'allumage du télescope.

Fonctionnalités de Réglage de Télescope

Réglage Heure-Site – Permet à l'utilisateur de personnaliser l'affichage du télescope en modifiant les paramètres d'heure et d'emplacement (tel que le fuseau horaire et heure avancée).

Anti-rebond – Tous les engrenages mécaniques ont un certain jeu entre les engrenages. Ce jeu est évident par le temps que prend l'étoile à se déplacer dans l'oculaire lors que les touches fléchées de la commande à main sont appuyées (spécialement lors de changement de directions). La fonction anti-rebond de l'CGX permet à l'utilisateur de compenser le rebond en entrant une valeur qui rappelle rapidement aux moteurs d'éliminer le jeu entre les engrenages. Le montant de compensation nécessaire dépend de la vitesse de rotation sélectionnée; plus la vitesse de rotation est lente plus cela prendra de temps pour que l'étoile apparaisse dans l'oculaire. Chaque axe possède deux valeurs, une positive et une négative.

- La valeur positive est la quantité de compensation appliquée lorsque vous appuyez sur un bouton pour que les engrenages bougent rapidement sans délai.
- La valeur négative est la quantité de compensation appliquée lorsque vous relâchez le bouton, faisant tourner les engrenages dans le sens opposé pour continuer le suivi.

Normalement, chaque mesure doit être identique. Vous devrez expérimenter avec différentes valeurs (de 0 à 99) ; une valeur entre 20 et 50 est normalement suffisante pour la plupart des observations visuelles, alors qu'une valeur plus élevée peut être nécessaire pour le guidage photographique.

Pour régler la valeur anti-rebond, défiler vers le bas vers l'option anti-rebond et appuyer sur ENTRÉE. Observez un objet par l'oculaire et observez la vitesse de réponse de chaque pression des quatre boutons. Prenez note de quels mouvements observent une pause entre la pression sur le bouton et son déclenchement. Testez un axe à la fois, réglez la valeur anti-rebond de manière à ce que le mouvement soit aussi immédiat que possible sans pour autant créer un soubresaut lorsque le bouton est appuyé et relâché. Ensuite, saisissez

la même valeur pour les positions positives et négatives. Si vous remarquez un soubresaut lorsque le bouton est relâché, mais remarquez une pause lorsque la valeur est réduite, utilisez la plus haute valeur en positif et la plus faible valeur en négatif. Le télescope gardera en mémoire ces valeurs et les utilisera à chaque mise sous tension ou jusqu'à ce qu'elles soient modifiées.

Limites de Filtre – Lorsqu'un alignement est terminé, le télescope sait automatiquement quels objets célestes se trouvent au-dessus de l'horizon. En conséquence, lors du défilement à travers les listes de base de données (ou en sélectionnant la fonction Visite Guidée), la commande à main affichera seulement les objets qui se trouvent au-dessus de l'horizon au moment de l'observation. Vous pouvez personnaliser la base de données d'objets en sélectionnant les limites d'altitude qui sont appropriés à votre emplacement et situation. Par exemple, si vous faites de l'observation dans un emplacement montagneux où l'horizon est partiellement obscurci, vous pouvez fixer votre limite minimum d'altitude pour qu'elle lise +20°. Cela fera en sorte que la commande à main n'affichera que les objets qui sont supérieurs à 20° en altitude.

CONSEIL : Si vous souhaitez explorer la base de données d'objets complète, définissez La limite d'altitude sur 90° et la limite minimum à -90°. Cela affichera tous les objets dans les liste de base de données indépendamment qu'ils soient visibles ou non dans le ciel à partir de votre emplacement.

Boutons de direction - La direction dans laquelle une étoile semble se déplacer dans l'oculaire est fonction de la position du tube du télescope par rapport au méridien. Cela peut être problématique, particulièrement si vous effectuez des photos astronomiques. Pour compenser, la direction des boutons de contrôle du moteur peut être modifiée. Pour renverser la logique de la commande à main, appuyez sur MENU et sélectionnez Boutons de direction du menu Utilitaires. Utilisez les boutons Haut et Bas (10) pour sélectionner les touches d'Azimut (gauche et droit) ou encore les touches d'Altitude (haut et bas) et appuyez sur ENTRÉE. Sélectionnez soit positif ou négatif pour chaque axe puis appuyez sur ENTRÉE pour enregistrer. Définir la direction de bouton azimut en positif ne déplacera pas le télescope dans la même direction que le suivi du télescope (par exemple vers l'est). Définir les boutons d'altitude en positif ne déplaceront pas le télescope dans le sens anti horaire sur l'axe de déclinaison.

Approche Aller à – Permet à l'utilisateur le soin de définir la direction du télescope lors de l'orientation vers un objet. Cela permet à l'utilisateur de minimiser les effets de rebond lors de la rotation d'un objet à un autre. Comme dans le cas des boutons de direction, définir Approche Aller à en positif fera en sorte que le télescope effectuera une approche sur un objet dans la même direction que le suivi (ouest) pour l'azimut et dans le sens anti horaire pour la déclinaison. La déclinaison Approche Aller à ne sera valable que si le tube du télescope est d'un côté du méridien. Une fois que le tube passe de l'autre côté du méridien, l'Approche GoTo devra être inversée.

Pour modifier la direction d'approche GoTo, simplement sélectionner GoTo Approach du menu Scope Setup, sélectionner soit l'approche Altitude soit l'approche Azimut, choisir positif ou négatif et appuyer sur Entrée.

ASTUCE : Pour minimiser les effets négatifs du rebond d'engrenage sur la précision de pointage, le paramètre de direction de bouton doit idéalement être similaire au réglage Approche Aller à. Par défaut, les boutons de direction haut et bas pour centrer sur les étoiles d'alignement élimineront la majorité de l'effet de rebond dans les engrenages. Si vous modifiez le réglage Approche Aller à, il n'est pas nécessaire de modifier également les boutons de direction. Prenez simplement note de la direction dans laquelle le télescope se déplace lorsqu'il termine son Approche Aller à finale. Si le télescope approche son étoile d'alignement depuis l'ouest (azimut négatif), et dans le sens horaire (altitude négative), alors veillez à ce que le centrage sur les étoiles d'alignement s'effectue dans la même direction dans le télescope.

Taux d'autoguidage – Permet à l'utilisateur de définir un taux d'autoguidage comme pourcentage de taux sidéral. Cela est utile lorsque vous calibrez votre télescope en tant qu'autoguideur CCD pour l'imagerie astronomique à longue exposition.

Orientation OTA - Certains utilisateurs pourraient vouloir utiliser un adaptateur de barre de tandem qui permet d'attacher deux tubes optiques à la monture simultanément. Lorsque les barres de tandem les plus courantes sont installées, les tubes optiques sont à angle de 90° comparé à la configuration standard. Pour pouvoir aligner la monture avec les étoiles de manière correcte, celle-ci doit savoir qu'une barre de tandem est utilisée, et dans quelles directions le ou les tubes sont alignés (est ou ouest) avant de commencer la procédure. L'option de tandem doit être définie avant de commencer toute étape de l'alignement sur les étoiles. Pour ce faire, rendez-vous dans les Options du télescope, sélectionnez l'option Tandem puis appuyez sur ENTRÉE. Choisissez ensuite parmi l'une des options suivantes :

- **Est** - Si les tubes installés sont orientés vers l'est lorsque les marques d'index de déclinaison sont alignés, sélectionnez Est.
- **Ouest** - Si les tubes installés sont orientés vers l'ouest lorsque les marques d'index de déclinaison sont alignés, sélectionnez Ouest.
- **Normal** - Si la barre de tandem n'est plus utilisée, sélectionnez l'option « Normal » pour désactiver la fonctionnalité.

Méridien - Cette fonction permet à la monture de se comporter correctement lorsqu'il s'agit de pivoter vers des objets accessibles depuis chaque côté du méridien. La fonctionnalité Méridien permet au télescope de rester sur un côté spécifique de la monture pendant son pivotement, et ainsi de continuer à suivre selon les limites A.D. définies par l'utilisateur. Voir limites A.D. ci-dessous. Le fonctionnalité Méridien offre quatre choix.

- **Courant favori** - Permet à la monture d'utiliser le côté actuel en priorité lorsqu'elle s'oriente vers des objets proches du méridien. Par exemple, si vos limites d'orientation A.D. est définie pour permettre à la monture de suivre à 10° après le méridien, alors le télescope restera sur le côté ac-

tuel du méridien pour s'orienter vers des objets se trouvant au maximum à 10° après le méridien.

- **Favoriser l'ouest** - Si l'objet cible est accessible depuis chaque côté de la monture, sélectionner l'option « Favoriser l'ouest » fait en sorte que la monture pointe vers l'objet comme si celui-ci se trouvait à l'ouest du méridien. Le tube sera donc positionné sur le côté est de la monture, et pointera vers l'ouest.
- **Favoriser l'est** - Si l'objet cible est accessible depuis chaque côté de la monture, sélectionner l'option « Favoriser l'est » fait en sorte que la monture pointe vers l'objet comme si celui-ci se trouvait à l'est du méridien. Le tube sera donc positionné sur le côté ouest de la monture, et pointera vers l'est.
- **Désactivé** - Ceci est l'option par défaut, qui donne l'ordre à la monture de pivoter vers le côté opposé pour voir les objets se trouvant sur le côté opposé du méridien. Mais, une fois l'objet désiré atteint, la monture continuera à pivoter plus loin que le méridien selon les limites d'orientation A.D. définies.

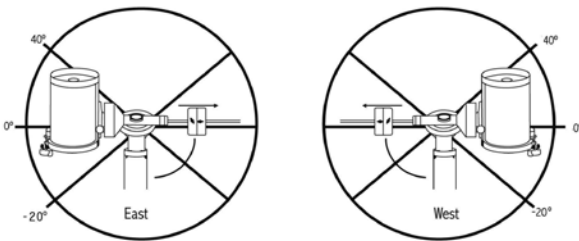
Réglages de monture - Une fois les réglages de la monture calibrés (voir la section Utilitaires ci-dessous), les valeurs sont enregistrées et affichées sur la commande à main. Il est déconseillé de modifier les valeurs de calibration. Mais chaque paramètre peut être modifié si nécessaire pour améliorer les performances du télescope.

- **Valeur de cône** - Ceci est la valeur d'erreur de cône définie lorsque les opérations Utilitaires/Calibration de monture/Interrupteur DEC sont effectuées.
- **Index DEC** - Ceci est la valeur d'erreur d'index de déclinaison enregistrée lorsque les étoiles de calibration sont ajoutées après l'alignement sur les étoiles original.
- **A.D. Index** - Ceci est la valeur d'erreur d'index A.D. définie lorsque les opérations Utilitaires/Calibration de monture/A.D. sont effectuées.

A.D. Limites - Permet de définir les limites du télescope au sein desquelles le télescope peut s'orienter ou suivre en ascension droite avant de s'arrêter. Les limites d'orientation sont représentées en degrés et sont par défaut définies sur 0°, qui est la position du télescope lorsque la barre de contrepoids est étendue horizontalement. Cependant, ces limites peuvent être définies selon vos besoins spécifiques. Par exemple, si vous utilisez un équipement d'imagerie CCD (Dispositif à transfert de charge) qui est équipé de câbles qui sont trop courts pour permettre au télescope de pivoter pour couvrir la totalité du ciel, vous pouvez définir la limite d'orientation de la monture comme désiré. La monture cessera de pivoter avant d'atteindre ce point. Ou si vous prenez une image d'un objet situé juste après le méridien, alors vous pouvez définir cette limite pour permettre à la monture de continuer à suivre dans la même direction après le méridien sans avoir à « basculer » le télescope sur le côté opposé de la monture (consultez la fonctionnalité Méridien exposée ci-dessus.) Selon le premier exemple donné ci-dessous, l'utilisateur pourrait faire pivoter le télescope en A.D. (azimut) jusqu'à ce qu'il atteigne le point de tension des câbles maximum. Ensuite, observez la position azimutale du télescope (en vous reportant à l'option Obtenir la position axiale dans le menu Utilitaires), vous pouvez déterminer la position du télescope en azimut dans sa position la plus étendue. Saisissez

les limites d'orientation azimutale maximum et minimum pour garantir que le télescope ne se déplacera plus loin que ce point. Les limites d'orientation du télescope peuvent être définies pour que le télescope s'arrête n'importe où entre les angles 40° au dessus et 20° au dessous. Pour définir les limites d'orientation R.A., sélectionnez les options suivantes :

- **A.D. Limite Est** – Saisissez un nombre entre +40° et -20° pour définir la limite d'orientation lorsque le tube est situé du côté est de la monture.
- **A.D. Limite Ouest** – Saisissez un nombre entre +40° et -20° pour définir la limite d'orientation lorsque le tube est situé du côté ouest de la monture.
- **Désactiver limites** - Cela permet d'ignorer toute valeur précédemment saisie et permet donc à la monture de suivre au maximum passé le méridien (donc -20° de chaque côté).



AVERTISSEMENT : Pour permettre au télescope de se déplacer vers une étoile depuis la direction qui limite la quantité de rebond dans les engrenages, il pourrait être nécessaire de faire en sorte que le télescope s'oriente plus loin que les limites d'orientation saisie pour approcher l'étoile depuis la direction correcte. Cela pourrait limiter votre capacité à effectuer l'orientation vers un objet de 6° par rapport à la limite d'orientation A.D. définie dans la commande à main. Si cela est un problème, la direction que le télescope utilise pour centrer un objet peut être modifiée. Pour modifier la direction d'orientation du télescope, rendez-vous dans l'option Approche aller à du menu de Réglage du télescope.

Taux personnalisé 9 - Cela vous permet de personnaliser la vitesse à laquelle la monture s'oriente vers une cible. Vous pouvez alors définir les axes A.D. et DEC. de manière individuelle.

Menus Utilitaires

Parcourez le MENU (9) pour avoir accès à une variété d'options utilitaires avancées du télescope, comme Calibration de la monture, Hibernation et bien d'autres encore.

Calibration de la monture - Pour optimiser les performances et la précision de pointage du télescope, la monture est possédée des routines de calibration lui permettant de compenser les variations mécaniques communes à toute monture équatoriale Allemande. Chaque calibration est complètement automatique et dans la majorité des cas ne doit être effectuée qu'une fois. Nous recommandons fortement de prendre le temps d'effectuer la calibration de monture.

• **A.D. Basculement** - Cette procédure enregistre la marge d'erreur de décalage lorsque la marque d'index d'ascension droite est alignée au démarrage. Calibration de A.D. L'index améliorera la précision de votre alignement d'origine pour les alignements du télescope dans le futur.

• **Calibration Aller à** - La calibration aller à est un outil utile lorsqu'on fixe de lourds accessoires photographiques au télescope. La calibration aller à calcule la distance et le temps nécessaire à la monture pour compléter son orientation finale Aller à lors de l'orientation vers un objet. La modification de l'équilibre du télescope peut prolonger le temps d'orientation complet. La calibration Aller à tient compte de tous les déséquilibres et modifie la distance Aller à pour compenser.

Position d'origine - La position d'« origine » est une position personnalisable qui est utilisée pour ranger le télescope lorsqu'il est inutilisé. La position d'origine est utile lorsque le télescope est rangé dans une installation d'observation permanente. Par défaut la position d'Origine est la même que la position d'index utilisée lorsque l'alignement de la monture est effectué.

Pour définir la position d'Origine de votre monture, utilisez simplement les touches fléchées du contrôle manuel pour orienter la monture dans la position désirée. Sélectionnez l'option Définir et appuyez sur Entrée.

Sélectionnez l'option Aller à pour remettre le télescope en position d'Origine à tout moment.

Réglage d'Usine – Réinitialise la commande à main au réglage d'usine original. Les paramètres tels que valeurs de compensation de rebond, date et heure initiales, longitude/latitude ainsi que les limites de filtre et d'orientation seront réinitialisées. Cependant, les paramètres stockés tels que les objets définis par l'utilisateur resteront intacts même si Réglage d'Usine est sélectionné. La commande à main vous demandera d'appuyer sur le bouton «0» avant de revenir au réglage d'usine par défaut.

Version – Cette option vous permet de voir la version courante de la commande à main et du logiciel de contrôle du moteur. Le premier ensemble de numéros indique la version du logiciel de la commande à main. Pour le contrôle de moteur, la commande à main affichera deux ensembles de numéros; les premiers numéros sont pour l'azimut et les deuxièmes pour l'altitude.

Obtenir Position de l'Axe – Affiche l'altitude et azimut relatives pour l'emplacement actuel du télescope.

Aller à position de l'axe – Vous permet d'entrer une position spécifique d'altitude et d'azimut et ensuite de l'orienter vers ces coordonnées.

Hibernation – Hibernation permet au télescope d'être hors tension et de quand même retenir son alignement lors de la mise sous tension. Cela ne fait pas qu'épargner de l'énergie, mais est idéal pour ceux qui laissent leur télescope monté en tout temps ou qui laissent leur télescope en un emplacement pour une longue période de temps. Pour placer votre télescope en mode Hibernation :

1. Sélectionner Hibernation du Menu Utilitaires.
2. Positionnez le télescope à l'emplacement souhaité et appuyez sur ENTRÉE.
3. Éteignez le télescope. Rappelez-vous de ne jamais dépla- cer votre télescope manuellement alors que vous êtes en mode de Mise en veille prolongée.

Dès que le télescope est de nouveau sous tension, l'afficheur devrait indiquer Réveil. Après avoir appuyé sur ENTRÉE, vous avez l'option de défiler à travers les informations sur les heures et les sites pour confirmer le réglage actuel. Appuyez sur ENTRÉE pour réveiller le télescope.

ASTUCE : Appuyer sur RETOUR à l'écran Réveil vous permettra d'explorer les différentes fonctions du contrôle manuel sans avoir à sortir le télescope de son mode d'hibernation. Pour réveiller le télescope après avoir appuyé sur RETOUR, sélectionnez Hibernation du menu Utilitaires et appuyez sur ENTRÉE. N'utilisez pas les **boutons de direction** pour orienter le télescope pendant le mode de mise en veille prolongée.

Menu Soleil

Pour des raisons de sécurité, le Soleil ne sera pas affiché en tant qu'objet de base de données à moins qu'il ne soit auparavant activé. Pour activer le Soleil, aller au menu Sun et appuyer sur ENTRÉE. Le Soleil sera alors affiché dans le catalogue des Planètes et pourra être utilisé en tant qu'objet d'alignement lors de l'utilisation de la méthode d'alignement Système Solaire. Pour retirer le Soleil de l'affichage de la commande à main, encore une fois sélectionner le menu Soleil du menu des Utilitaires et appuyer sur ENTRÉE.

Réglage de position de monture [Set Mount Position]

L'option Position de monture peut être utilisée pour maintenir votre alignement si vous devez desserrer les jambes ou situa- tion similaire. Par exemple, cette fonction est utilisée si vous devez équilibrer la monture de nouveau après avoir effectué un alignement. Pour définir la position de la monture, effec- tuez un pivot vers une étoile brillante de la liste des étoiles nommées, et sélectionnez Définir la Position de monture. La commande à main se synchronisera sur l'étoile en vous de- mandant de centrer l'étoile dans l'oculaire et en appuyant sur le bouton Aligner. Une fois la synchronisation effectuée, vous pouvez déplacer la monture sur les deux axes pour l'équili- brer. Une fois prêt à orienter le télescope vers votre prochain objet, souvenez-vous de centrer l'étoile brillante précédem- ment utilisée dans l'oculaire avec précision. Cet outil rendra invalide l'index PEC.

Activer/désactiver le GPS - Si vous utilisez votre télescope avec l'accessoire facultatif SkySync GPS, il sera nécessaire d'activer le GPS lors de la première utilisation de celui-ci. Si vous désirez utiliser la base de données du télescope pour trouver les coordonnées d'un objet céleste à une date passée ou future, vous devrez désactiver le module GPS afin d'être en mesure d'entrer manuellement la date et heure autre que celle courante.

Activer/désactiver RTC (Horloge en temps réel) - Permet d'activer ou non l'horloge interne en temps réel du télescope. Pendant l'alignement, le télescope reçoit toujours les informations mises à jour en temps réel de la RTC Si

vous désirez utiliser la base de données contrôle manuel pour trouver les coordonnées d'un objet céleste à une date passée ou future, vous devrez désactiver la RTC afin d'être en mesure d'entrer manuellement la date et heure autre que celle courante.

Correction d'erreur périodique (PEC) - PEC est conçue pour améliorer la qualité d'imagerie en réduisant l'amplitude des erreurs introduites par la vis sans fin et ainsi améliorer la précision du mouvement. Cette fonctionnalité est conçue pour l'astrophotographie avancée et est utilisée lorsque votre télescope est aligné correctement polairement. Pour plus d'informations sur comment utiliser la PEC, reportez-vous à la section du manuel concernant l'« Astrophotographie ».

Menu des Objets personnalisés

L'appareil peut mémoriser jusqu'à 400 objets personnali- sés différentes en mémoire. Les objets peuvent être des objets terrestres de jour ou un objet céleste intéressant que vous avez découvert et qui n'est pas inclus dans la base de données régulière. Il y a plusieurs manières de conserver un objet en mémoire dépendant du type d'objet :

Aller à l'objet : Pour aller à un objet défini par l'utilisateur stocké dans la base de données, défiler vers la bas vers « Aller à objet céleste » ou « Aller à objet terrestre » et entrer le numéro de l'objet que vous désirez sélectionner et appuyer sur ENTRÉE. La commande à main récupérera automatiquement et affichera les coordonnées avant de s'orienter vers l'objet.

Conserver Objet Céleste (Save Sky Object) : Votre té- lescope stocke les objets célestes dans sa base de données en sauvegardant son ascension droite et sa déclinaison dans le ciel. De cette manière le même objet peut être localisé chaque fois que le télescope est aligné. Dès que l'objet souhaité est centré dans l'oculaire, simplement défiler vers la commande « Enregistrer objet céleste » et appuyer sur EN- TRÉE. L'afficheur vous demandera d'entre un nombre entre 1 et 1200 pour identifier l'objet. Appuyez de nouveau sur ENTRÉE pour conserver cet objet dans la base de données.

Enregistrer dans Base de données (Db)

- **Objet :** Cette fonction vous permet de créer votre propre visite guidée d'objets de la base de données en vous permettant d'enregistrer la position actuelle du télescope et de sauvegarder le nom de l'objet en le sélectionnant à partir des catalogues de la base de données. Ces objets peuvent être retrouvés en sélectionnant Aller à objet céleste.
- **Saisir A.D. - Dec :** Vous pouvez également stocker un en- semble de coordonnées spécifiques d'un objet en entrant l'ascension droite et la déclinaison pour cet objet. Faites défiler sur la commande «Saisir A.D.-DEC» et appuyer sur ENTRÉE. L'afficheur vous demandera d'entrer en premier l'ascension droite et la déclinaison de l'objet souhaité.
- **Enregistrer objet terrestre :** Le télescope peut égale- ment être utilisé comme une lunette d'observation pour les objets terrestres. Les objets terrestres fixes peuvent être stocké en conservant leur altitude et azimut relati- vement à l'emplacement du télescope au moment de l'observation. Étant donné que ces objets dépendent de l'emplacement du télescope, ils ne sont valides que pour cet emplacement seulement. Pour enregistrer des objets terrestres, centrez l'objet souhaité dans l'oculaire. Défiler

vers le bas à la commande « Enregistrer objet terrestre » et appuyez sur ENTRÉE. L'afficheur vous demandera d'entrer un nombre entre 1 et 200 pour identifier l'objet. Appuyez de nouveau sur ENTRÉE pour conserver cet objet dans la base de données.

Pour remplacer le contenu de tout objet défini par l'utilisateur, simplement sauvegarder un nouvel objet en utilisant l'un des numéros d'identification existant ; le télescope remplacera le précédent objet défini par l'utilisateur par le nouvel objet.

Obtenir A.D./DEC – Affiche l'ascension droite et déclinaison pour l'emplacement actuel du télescope.

Aller à A.D./DEC – Vous permet d'entrer une ascension droite spécifique et déclinaison et de l'orienter vers celle-ci.

Astuce : Pour enregistrer un ensemble de coordonnées (R.A./Dec.) de manière permanente dans la base de données, enregistrez-le comme Objet personnalisé comme décrit ci-dessus.

Identification

Le mode Identification recherchera dans les listes ou catalogues de la base de données de la monture et affichera le nom et distances décalées des objets correspondants le plus proches. Cette fonction peut être utile dans deux cas. Tout d'abord, elle peut permettre d'identifier un objet non identifié contenu dans le champ de l'oculaire. De plus, le mode Identification peut être utilisé pour trouver d'autres objets célestes qui sont proches des objets observés. Par exemple, si votre télescope est pointé vers l'étoile la plus brillante de la constellation Lyra, en choisissant le mode Identification et ensuite en cherchant dans le catalogue Étoile Nommée retournera sans aucun doute l'étoile Véga comme étoile que vous observez actuellement. Cependant, en sélectionnant le mode Identification et en cherchant dans le catalogue Messier ou Objet Nommé, la commande à main vous indiquera que la Nébuleuse de l'Anneau (M57) se trouve à 6° de votre position présente. En cherchant dans le catalogue Étoile Binaire, vous remarquerez que Epsilon Lyrae se trouve à 1° de Véga. Pour utiliser la fonction Identification :

- Appuyez sur le bouton Menu et sélectionnez l'option Identification.
- Utilisez les touches de défilement Haut et Bas pour sélectionner le catalogue dans lequel vous aimeriez faire la recherche.
- Appuyez sur ENTRÉE pour débiter la recherche.

NOTE: Certaines bases de données contiennent des milliers d'objets et cela pourrait prendre une minute ou deux avant de revenir à l'objet le plus proche.

Aller à précis

La monture possède une fonction Aller à précise qui peut vous aider à trouver les objets très pâles et effectuer le centrage sur un objet précis pour l'astrophotographie. Aller à précis recherche automatiquement l'étoile brillante la plus

proche de l'objet désiré et demande à l'utilisateur d'effectuer le centrage de l'oculaire avec précision. La commande à main calcule ensuite la petite différence entre la position Aller à et sa position centrée. En utilisant cette différence, la monture s'oriente ensuite sur l'objet désiré avec une précision améliorée.

Pour utiliser Aller à précis:

1. Appuyez sur le bouton MENU et utiliser les flèches Haut et Bas pour sélectionner Aller à précis.
 - Choisissez la base de données pour sélectionner l'objet que vous désirez observer depuis son contenu ou ;
 - Choisissez R.A./DEC. pour saisir les coordonnées célestes vers lesquelles s'orienter.
2. Une fois l'objet désiré sélectionné, la commande à main recherchera puis affichera l'étoile la plus proche de votre objet désiré. Appuyez sur ENTRÉE pour orienter vers la planète brillante d'alignement.
3. Utilisez les touches de direction pour centrer l'étoile d'alignement avec précision dans l'oculaire.
4. Appuyez sur ENTRÉE pour orienter vers l'objet désiré.

Annexe A: Mettre à Jour le Logiciel Interne de Votre Monture et de Votre Commande à Main

Pour savoir si une nouvelle mise à jour est disponible, consultez cette URL:

<http://software.celestron.com/updates/CFM/CFM/>

1. Branchez la commande à main NexStar+ dans le port AUX1 ou AUX2.
2. Branchez un câble standard USB B entre la monture et votre PC.
3. Branchez puis allumez la CGX.
4. Lancez le Gestionnaire des Micrologiciels Celestron (CFM).
5. CFM inspectera votre matériel et recherchera des mises à jour. CFM détectera automatiquement quels composants doivent être mis à jour.
6. Cliquez sur « Mettre à jour » dans CFM et attendez que les mises à jour se terminent.

Annexe B:

Nettoyage et Entretien

La monture CGX est solide et vous accompagnera pendant de longues années si vous en prenez bien soin.

Rangement

Bien que la monture et ses composants électroniques soient conçus pour une utilisation en extérieur, ne la rangez pas en extérieur à moins qu'elle ne soit protégée par un observatoire ou dans un lieu fermé (par exemple dans un garage). L'exposition constante à la chaleur, au froid ou à l'humidité peut entraîner l'usure des composants électroniques, des lubrifiants de la mécanique et de la surface de la monture. Rangez dans un lieu protégé, hors de la lumière directe du Soleil. Ranger dans un lieu sec autant que possible.

GARANTIE LIMITÉE DE DEUX ANS DE CELESTRON

A. Celestron garantit que votre monture de télescope sera exempte de tout défaut de matériaux ou de fabrication pour une période de deux ans. Celestron réparera ou remplacera ce produit ou une partie de celui-ci lorsqu'il a été déterminé, lors d'une inspection par Celestron, que le produit est défectueux en raison d'un défaut de matériaux ou de fabrication. Comme condition à l'obligation de Celestron de réparer ou remplacer un tel produit, le produit doit être retourné à Celestron avec la preuve d'achat satisfaisante pour Celestron.

B. Un numéro d'autorisation de retour valide doit être obtenu de Celestron avant le renvoi. Appelez Celestron au (310) 328-9560 pour recevoir le numéro à afficher à l'extérieur de votre colis d'expédition.

Tous les retours doivent être accompagnés d'une déclaration écrite indiquant le nom, l'adresse et le numéro de téléphone de jour du propriétaire, ainsi qu'une brève description des prétendus défauts. Les pièces ou le produit ayant été l'objet d'un remplacement deviendront la propriété de Celestron.

Le client sera responsable de tous les frais de transport et d'assurance, à la fois vers et depuis l'usine de Celestron, et devra payer à l'avance ces coûts.

Celestron fera des efforts raisonnables pour réparer ou remplacer tout télescope couvert par cette garantie dans les trente jours suivant sa réception. Dans le cas où une réparation ou un remplacement nécessitera plus de trente jours, Celestron en avisera le client en conséquence. Celestron se réserve le droit de remplacer tout produit qui a été retiré de sa gamme de produits disponibles avec un nouveau produit ayant une valeur et des fonctions équivalentes.

Cette garantie sera nulle et sans effet dans le cas où la conception ou la fonction d'un produit couvert a été modifiée, ou lorsque le produit a été soumis à un usage abusif, à de mauvaises manipulations ou à une réparation non autorisée. En outre, une défaillance ou une détérioration du produit due à l'usure normale n'est pas couverte par cette garantie.

CELESTRON DÉCLINE TOUTE GARANTIE, EXPRESSE OU IMPLICITE, DE QUALITÉ MARCHANDE OU D'ADAPTATION À UN USAGE PARTICULIER, À MOINS DE DISPOSITIONS EXPRESSES DANS CE DOCUMENT. LA SEULE OBLIGATION DE CELESTRON EN VERTU DE CETTE GARANTIE LIMITÉE SERA DE RÉPARER OU REMPLACER LE PRODUIT COUVERT, EN CONFORMITÉ AVEC LES DISPOSITIONS DE CE DOCUMENT. CELESTRON DÉCLINE TOUTE RESPONSABILITÉ POUR TOUTE PERTE DE PROFITS, TOUT DOMMAGE GÉNÉRAL, PARTICULIER OU INDIRECT POUVANT RÉSULTER DE LA VIOLATION DE TOUTE GARANTIE, OU EN RAISON DE L'UTILISATION DE, OU DE L'INCAPACITÉ À UTILISER, UN PRODUIT CELESTRON. TOUTE GARANTIE IMPLICITE QUI EST ET QUI NE PEUT ÊTRE DÉCLINÉE SERA LIMITÉE À UNE DURÉE DE DEUX ANS À PARTIR DE LA DATE D'ACHAT INITIALE.

Certains états ou certaines provinces ne permettent pas l'exclusion ou la limitation des dommages accessoires ou indirects ou une limitation sur la durée d'une garantie implicite, alors dans ces cas les limitations et exclusions susmentionnées pourraient ne pas s'appliquer à vous.

Cette garantie vous donne des droits légaux spécifiques, et vous pouvez également avoir d'autres droits qui varient d'un état ou d'une province à l'autre.

Celestron se réserve le droit de modifier ou de cesser la production de tout modèle ou style de télescope, et cela sans préavis.

Si des problèmes liés à la garantie surviennent, ou si vous avez besoin d'assistance pour utiliser votre télescope, contactez :

Celestron
Service à la clientèle
2835 Columbia Street
Torrance, CA 90503
Tel. 800.421.9649

Du lundi au vendredi, de 8 h à 16 h HNP

NOTE : Cette garantie est valable pour les clients américains et canadiens qui ont acheté ce produit auprès d'un revendeur autorisé Celestron aux États-Unis ou au Canada. La garantie en dehors des É.-U. et du Canada n'est valable que pour les clients ayant acheté le produit d'un distributeur international de Celestron ou d'un distributeur agréé dans le pays en question. Veuillez communiquer avec eux pour toute réparation sous garantie.



Remarque FCC: Cet équipement a été testé et jugé conforme aux limites établies pour un dispositif numérique de classe B, conformément à la partie 15 de la réglementation de la FCC. Ces limites ont été mises en place pour offrir une protection raisonnable contre les interférences dans un complexe résidentiel. Cet équipement génère et peut émettre des fréquences radio et, s'il n'est pas installé et utilisé conformément aux instructions du manuel, peut causer des interférences nuisibles aux communications radio. Mais il n'existe aucune garantie que des interférences ne seront pas produites dans une installation particulière. Si cet équipement crée des interférences pour la réception radio ou télévisuelle, ce qui peut être constaté en l'allumant et en l'éteignant, alors il vous est conseillé d'y remédier d'une des manières suivantes :

- Réorientez ou déplacez l'antenne de réception.
- Augmentez la distance séparant l'équipement et le récepteur.
- Connectez l'équipement à une prise ou à un circuit différent de celui du récepteur.
- Contactez le revendeur ou un technicien radio ou TV d'expérience pour obtenir de l'assistance.

L'apparence et les caractéristiques du produit peuvent être modifiées sans préavis.

Ce produit est conçu et destiné pour les personnes de 14 ans et plus.

www.celestron.com
2835 Columbia Street • Torrance, CA 90503 É.-U.
Téléphone : 800.421.9649.
©2017 Celestron • Tous droits réservés.





CGX

TELESKOPE MIT ÄQUATORIALER MONTIERUNG

BEDIENUNGSANLEITUNG

Modell 91530-1

INHALTSVERZEICHNIS

Einleitung	5
Systemvoraussetzungen	5
Teilleiste	5
Übersicht	6
Zusammenbau	8
Grundlegende Bedienung	10
Polausrichtung der Montierung	11
Präzise Polausrichtung	12
Bewegungsbereich der Montierung	12
Die Montierung auf sehr hohe bzw. niedrige Breitengrade einstellen	13
USB-Port	13
AUX-Ports	13
Autoguide-Port	13
NexStar+ Handsteuerung	14
Objektkatalog	18
Zu einem Objekt Schwenken.	18
Anhang A: Firmware-Upgrade der Montierung und Handsteuerung	24
Anhang B: Pflege und Instandhaltung	25
Zweijährige eingeschränkte Garantie von Celestron	26

Einleitung



⚠ **Warnung**

- Niemals mit bloßem Auge oder mit einem Teleskop direkt in die Sonne schauen (außer bei Verwendung eines vorschriftsmäßigen Sonnenfilters). Permanente und irreversible Augenschäden können daraus resultieren.
- Das Teleskop keinesfalls zur Projektion eines Sonnenbildes auf eine Oberfläche verwenden. Durch die interne Wärmeakkumulation können das Teleskop und etwaiges daran angeschlossenes Zubehör beschädigt werden.
- Niemals einen Okularsonnenfilter oder einen Herschelkeil verwenden. Die interne Wärmeakkumulation im Teleskop kann zu Rissen oder Brüchen dieser Instrumente führen. Dadurch könnte ungefiltertes Sonnenlicht ins Auge gelangen.
- Das Teleskop niemals unbeaufsichtigt lassen. Sicherstellen, dass ein mit der korrekten Bedienung Ihres Teleskops vertrauter Erwachsener ständig präsent ist, besonders bei der Anwesenheit von Kindern.

Systemvoraussetzungen

- Das CGX benötigt 12 Volt Gleichstrom mit mindestens 4 Ampere. Celestron bietet eine Wechselstrom- auf Gleichstromzufuhr von 12 V 5 A sowie einen empfohlenen Zylinderstecker mit Gewinde an. Auch tragbare Feldbatterien mit 12 Volt eignen sich als Stromversorgung. Die Montierung umfasst ein Gleichstromkabel mit Stecker für den Zigarettenanzünder.
- Das Teleskop erfordert entweder eine CG-5/Vixen oder eine CGE/Losmandy D-Schwalbenschwanz-Montagegange. Die CGX eignet sich für beide Größen des Schwalbenschwanzsattels.
- Für eine optimale Leistung sollte die gesamte Teleskop-Nutzlast ohne Gegengewichte 55 lbs (25 kg), nicht überschreiten.
- Windows 7/10 eignet sich für die Teleskop-Steuerungssoftware.
- USB-Kabel mit Standard-A-Stecker bei Anschluss an den USB-Port der Montierung (nur für den PC).
- Kreuzschlitzschraubendreher (optional, nur für die Getriebeeinstellung).

Teileliste

Box 1: 91530-1 CGX Äquatorialmontierung

CGX Äquatorialmontierungskopf

8 mm Inbusschlüssel (unverlierbar im hinteren Griff der Montierung)

Gegengewichtsstange und Anschlagmutter

3 x 8 mm Innensechskantschrauben (zum Anbringen des Kopfs am Stativ)

12 V DC Stromkabel

NexStar+ Handsteuerung

Box 2: CGX Stativ und Gegengewichte

Stativ

2 x 5 kg (11 lbs) Gegengewichte

Zubehörablage

Drehknopf und Unterlegscheibe der Ablage (mit Gewinde für die Mittelsäule des Stativs)

Übersicht

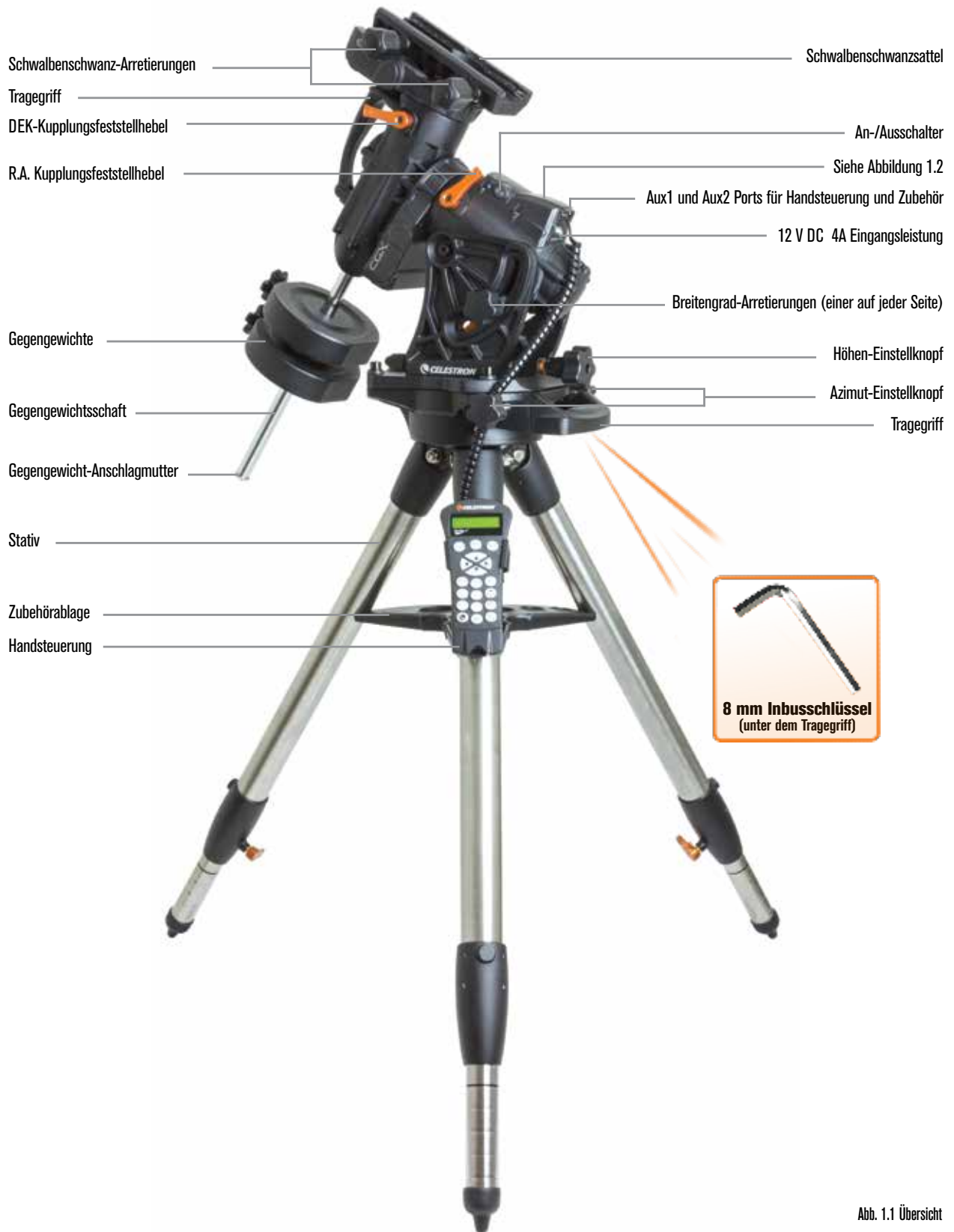


Abb. 1.1 Übersicht

Autoguide-Port

USB-Port

Breitenskalen

Riementriebsfenster



Abb. 1.2 Übersicht

Zusammenbau

Alles auspacken und unter Beachtung der nun folgenden Schritte montieren. Wenn Sie die CGX an sich erworben haben, enthält das Stativ zwei Gegengewichte je 5 kg. Wenn Sie die CGX mit einem großen optischen Tubus erworben haben, können weitere Gewichte zum Ausbalancieren inbegriffen sein.

Hinweis: Der im Lieferumfang enthaltene 8-mm-Inbusschlüssel befindet sich unter dem hinteren Griff der Halterung, wie in Abbildung 1.1 gezeigt.

Das Stativ aufstellen

1. Stellen Sie das Stativ aufrecht hin und ziehen Sie die Stativbeine nach außen, bis alle Beine vollständig ausgezogen sind .
2. Nehmen Sie Mutter und Unterlegscheibe oben von der Mittelsäule ab (Abbildungen 2.1 & 2.2).
3. Schieben Sie die Zubehörablage über die Mittelsäule, sodass jeder Ablagearm ein Stativbein stützt.
4. Mutter und Unterlegscheibe wieder auf die Gewindesäule aufdrehen und anziehen. Die Zubehörablage darf sich nicht gegen das Stativ bewegen lassen (Abbildungen 2.1 & 2.2).
5. Stellen Sie die Stativhöhe ein, indem Sie die Feststellknöpfe am Ende jedes Stativbeins losdrehen. Passen Sie nun ggf. die Länge der Stativbeine an und drehen Sie die Feststellhebel nacheinander wieder fest. Die Markierungen an jedem Stativbein dienen der leichten Nivellierung.



Abbildung 2.1 Stativaufbau



Abbildung 2.2 Stativaufbau

Die Montierung am Stativ befestigen

1. Platzieren Sie den Kopf so auf dem Stativ, dass er sicher auf der Gegenfläche sitzt.
2. Richten Sie die Montierung für eine optimale Stabilität so aus, dass die Gegenwelle direkt über einem Stativbein liegt, wie in den Abbildungen 1.1 und 1.2 gezeigt. Beachten Sie, dass Sie die Montierung so ausrichten können, dass die Gegengewichte zwischen zwei der Stativbeine liegen, was in niedrigen Breiten nützlich sein kann, damit die Gegengewichte mehr Freiraum zum Stativ aufweisen.
3. Mit dem mitgelieferten 8-mm-Inbusschlüssel (Abbildung 3) werden die drei Befestigungsschrauben an der Montierung befestigt.



Abbildung 3 Die Montierung am Stativ befestigen

Grobe Polausrichtung der Montierung

Richten Sie die Montierung grob nach Norden (in der südlichen Hemisphäre nach Süden) aus und stellen Sie Ihre geografischen Breite ein, bevor Sie Montierung und Stativ mit zusätzlichen Gewichten versehen. Lösen Sie die beiden Höhen-Arretierknöpfe, drehen Sie den Höheneinstellungsknopf (Abbildung 1.1), bis Sie Ihre Breite auf den in der Breitenskala (Abbildung 1.2) angegebenen Wert eingestellt haben und ziehen Sie die Arretierknöpfe wieder an. Die Skala ist nur für eine grobe Polausrichtung vorgesehen. Eine genauere polare Ausrichtung kann später mit Hilfe der computergestützten Hand fest vorgenommen werden.

Die Gegengewichte anbringen

Entfernen Sie die Anschlagmutter am Ende der Gegengewichtsstange, bringen Sie die Gegengewichte an und drehen Sie die Anschlagmutter wieder auf. Halten Sie die Gegengewichtsstange nach unten gerichtet. (Abbildung 1,1).

Anbringen des Teleskops an die Montierung

1. Stellen Sie sicher, dass die R.A.- und DEK-Kupplungshebel angezogen sind.
2. Lösen Sie die Arretierknöpfe des Schwalbenschwanzsattels so weit, dass der Schwalbenschwanz auf den Sattel geschoben werden kann. Beachten Sie, dass der Pfeil in die gleiche Richtung wie der vordere Handgriff zeigen soll (Abbildung 4).
3. Schieben Sie die Schwalbenschwanzführung des Teleskops auf den Schwalbenschwanzsattel der Montierung. Ziehen Sie das Teleskop mit Hilfe der beiden Verriegelungsknöpfe (Abbildung 5) in seiner Position fest.

Die CGX eignet sich für den Celestron CGE Schwalbenschwanz und den kleineren CG-5 Schwalbenschwanz sowie für den Losmandy D¹ und Vixen² Schwalbenschwanz.

- ¹ Testen Sie Ihre Losmandy-Schwalbenschwanzführung vor dem Befestigen Ihres Teleskops an der Montierung auf einen festen Sitz. Die Größen und Schwalbenschwanzwinkel können von Hersteller zu Hersteller variieren.
- ² Testen Sie Ihre Vixen-Schwalbenschwanzführung vor dem Befestigen Ihres Teleskops an der Montierung auf einen festen Sitz. Einige Vixen-Schwalbenschwanzverbindungen sind nicht flach und haben entlang der Stange unterschiedliche Höhen. Je nach Länge der flachen Anteile kann die Passform des Schwalbenschwanzsattels an der Montierung beeinträchtigt werden.



Abbildung 4 Die Montierung am Stativ befestigen



Abbildung 5 Teleskop-Schwalbenschwanz ausrichten und fixieren

Die Montierung ausbalancieren

Rektaszensionsachse: Vorsichtig den Kupplungshebel für R.A. entriegeln und den Schaft des Gegengewichts horizontal ausrichten. Prüfen Sie ohne das Teleskop loszulassen, auf welche Seite sich das Gegengewicht neigt. Verschieben Sie die Gegengewichte ggf., sodass sich die R.A.-Achse bei entriegelter Kupplung nicht bewegt.

Deklinationsachse: Den Kupplungshebel für DEK bei horizontalem Gegengewichtsschaft vorsichtig entriegeln und beobachten, in welche Richtung sich der optische Tubus ausbalanciert. (Abbildung 6). Schieben Sie den optischen Tubus zum Ausbalancieren nach Bedarf nach vorne oder hinten. Bei großen und schweren Teleskopen sollten Sie das Teleskop in die Ausgangsposition bringe, bevor Sie die Arretierknöpfe des Schwalbenschwanzsattels lösen.



Abbildung 6 Ausbalancieren der Montierung

Anbringen der Handsteuerungshalterung

Wickeln Sie Klettverschluss und Holster um das Stativ und legen Sie die Handsteuerung in das Holster.

Handsteuerung anschließen

Schließen Sie die mitgelieferte NexStar + Handsteuerung an einen der Aux-Anschlüsse an.

⚠ Warnung: Schließen Sie die Handsteuerung nicht an den Autoguide-Port an. Handsteuerung und Montierung könnten dadurch Schaden nehmen. In ähnlicher Weise sollten Sie zur Vermeidung von Beschädigungen das Autoguiding-Kabel nicht an den AUX-Anschluss anschließen.

Ausgangsposition

Die Montierung befindet sich in der Ausgangsposition, wenn der Gegengewichtsschaft nach unten zeigt und das Teleskop wie dargestellt entlang der polaren Achse der Montierung verläuft (Abbildung 7). Die internen Schalter der Montierung bringen diese beim Einschalten in die Ausgangsposition (mehr dazu in "Grundlegende Bedienung"). Eine manuelle Ausrichtung ist vor dem Einschalten natürlich auch möglich. Dazu werden einfach die beiden Feststellhebel gelöst.



Abbildung 7 Teleskop in der Ausgangsposition

Grundlegende Bedienung

Ist Ihre Montierung zusammengebaut und polar ausgerichtet, können Sie mit die Montierung einrichten:

Die Montierung stromversorgen

Die CGX-Montierung kann durch den mitgelieferten Autobatterieadapter an eine 12VDC Batteriequelle angeschlossen werden, die mindestens 4 Ampere Strom liefert. Alternativ können Sie einen optionalen Netzadapter mit 12 V DC und 4 Ampere Strom nutzen. AC-Netzadapter mit Gewinderohranschlüssen werden von Celestron zur Verfügung gestellt.

Ausgangsposition und Standortdaten

1. Schließen Sie die mitgelieferte NexStar + Handsteuerung an einen der Aux-Anschlüsse an. Die Anschluss erfolgt über Aux 1 oder Aux 2.
2. Schließen Sie das Stromkabel an den Netzanschluss der Montierung an. Achten Sie darauf, das Netzkabel mit dem Gewinderohranschluss zu verbinden.
3. Den Netzschalter auf einschalten.
4. Zeigt die Handsteuerung "CGX Ready" an, zweimal auf ENTER drücken. Die Montierung fährt in die Ausgangsposition.
5. Städte-Datenbank oder benutzerdefinierter Standort wählen.
 - Wählen Sie in der Städte-Datenbank den Ihrem Standort am nächsten liegenden Ort.
 - Wenn sie benutzerdefinierten Standort auswählen, müssen Sie Längengrad, Breitengrad und Zeitzone Ihres Standorts eingeben.
6. Nach Eingabe des Standorts werden Datum und Uhrzeit eingegeben. Die CGX verfügt über eine Echtzeituhr (RTC für Real-Time Clock), die Datum, Uhrzeit und Standortinformationen für die nächste Verwendung Ihrer Montierung speichert.

Ausrichtung

Voraussetzung: Die Montierung muss grob polar ausgerichtet sein, damit Datum, Uhrzeit und Standortinformationen korrekt eingegeben werden können, wie im vorigen Schritt beschrieben.

1. Wählen Sie für eine optimale Ausrichtung zwei Sternenausrichtungen (Star Align) und drücken Sie auf ENTER.

Oder wählen Sie aus Sonnensystem, Ein Stern, Letzte Ausrichtung oder Schnellausrichtung. Mit den Navigationstasten 6 und 9 auf der Tastatur können Sie durch jede Listenauswahl in der Handsteuerung blättern.

2. Wählen Sie den ersten Stern aus der Liste benannter Sterne. Blättern Sie mithilfe der Navigationstasten 6 (aufwärts) und 9 (abwärts) auf der Tastatur durch die benannten Sterne. Sie enthalten den hellsten und am leichtesten zu findenden Stern. Drücken Sie auf ENTER, wenn Sie einen geeigneten Stern ausgewählt haben. Wenn Ihre Montierung zumindest grob polar ausgerichtet ist, schwenkt sie in die ungefähre Position zu diesem Stern.

Standardmäßig sind Sterne auf der Westseite des Meridians ausgewählt. Wenn Ihr Himmel im Westen bedeckt ist, können Sie Sterne auf der Ostseite des Meridians auswählen. Drücken Sie auf der Tastatur auf die MENÜ-Taste.

3. Schwenken Sie das Teleskop mithilfe der Richtungstasten zum ausgewählten Stern, zentrieren Sie diesen in der Mitte des Sucherfernrohr und drücken Sie auf ENTER.

Die Montierung passt die Motordrehzahl automatisch für die Feinabstimmung an .

4. Zentrieren Sie den Stern nun im Okular Ihres Teleskops und drücken Sie auf ALIGN.
5. Wählen Sie einen zweiten Stern aus der Liste und wiederholen Sie den Vorgang der Schritten 2-4. Wenn Sie dazu aufgefordert werden, einen Kalibrierungssterne hinzuzufügen, können Sie entweder auf ZURÜCK drücken, um die Ausrichtung abzuschließen oder optimalerweise einen Kalibrierungssterne hinzuzufügen.

Fügen Sie für optimale Ergebnisse mindestens einen Kalibrierungsstern hinzu. Dadurch wird die Zeigegenauigkeit Ihres Teleskops erhöht.

6. Wenn Sie dazu aufgefordert werden, einen "Kalibrierungsstern hinzuzufügen", können sie einen Stern aus der Liste auswählen und auf ENTER drücken. Die Montierung schwenkt nun auf die andere Seite des Meridians, um einen Kalibrierungsstern hinzuzufügen.
7. Dieser Stern wird wie die ersten beiden Ausrichtungssterne zentriert und ausgerichtet: Zentrieren Sie ihn im Sucher, drücken Sie auf ENTER, zentrieren Sie den Stern nun um Okular und drücken Sie auf ALIGN.
8. Wenn Sie dazu aufgefordert werden, einen weiteren Kalibrierungssterne hinzuzufügen, können Sie entweder auf ZURÜCK drücken, um die Ausrichtung abzuschließen.

Objekt auswählen

Auswählen können Sie aus der Objektdatenbank, die nach Sonnensystem, Sternen und extrasolaren Objekten kategorisiert ist. Innerhalb dieser Menüs (auf der Tastatur Nummern 1, 2 und 3 können Sie Objektnamen oder beliebige Katalognummer (wie M42 für Messier 42) auswählen.

Mit den Navigationstasten 6 und 9 auf der Tastatur können Sie durch jede Listenauswahl in der Handsteuerung blättern. ENTER drücken, um das ausgewählte Objekt in der Liste aufzurufen.

Beispiel für die Auswahl und das Schwenken zum extrasolaren Himmelsobjekt Messier M42.

- Drücken Sie auf DEEP SKY und dann auf ENTER
- Blättern Sie nach unten (Tastatur 9) zu Messier und drücken Sie ENTER
- Drücken Sie "0-4-2" auf der Tastatur und drücken Sie ENTER

Mit der Himmelstour (Tastatur 5) können Sie den Himmel erforschen, ohne eine Sternkarte zu konsultieren. Die Tour-Funktion generiert eine Liste der interessantesten Objekte, die zu Ihrer Zeit an Ihrem Standort zu beobachten sind.

Polausrichtung der Montierung

Das computergesteuerte Go-To kann Objekte selbst dann orten, wenn die Montierung nicht perfekt polar ausgerichtet ist. Allerdings ist die polare Ausrichtung notwendig, um die beste Nachführgenauigkeit Ihrer Montierung zu erreichen. Und sie ist die Grundlage der Astrofotografie. Eine polar ausgerichtete parallaktische Montierung führt in einer Bewegung über den Himmel nach, wobei das Objekt im Okular oder der Kamera zentriert bleibt.

Das Polarausrichtungssystem der CGX besteht aus einer Höhen- und einer Azimuteinstellung (Abbildung 8).

Celestron bietet einen optionalen Polsucher an, der an die Montierung angebracht wird. Der optionale Polsucher passiert nicht die R.A.-Achse, da dieser Bereich der internen Verkabelung vorbehalten ist. Wenn Sie keinen optionalen Polsucher verwenden, können Sie die grobe polare Ausrichtung erzielen, indem Sie durch den Sucher des Teleskops blicken und Polaris im Okular zentrieren. Dies bringt Sie etwa drei Viertel eines Grade an den nördlichen Himmelspol heran (NCP für North Celestial Pole).



Abbildung 8 Polarausrichtungseinstellung

Präzise Polausrichtung

Die All-Star Polar Ausrichtung von Celestron ermöglicht es Ihnen, Ihre Montierung präzise polar auszurichten, ohne Polaris oder einen Polsucher zu verwenden. Diese Software-unterstützte Poljustierung ermöglicht Ihnen die Auswahl eines geeigneten Sterns.

Voraussetzung: Die CGX muss mit an zwei Sternen, einem Stern, oder der Ausrichtung am Sonnensystem (Solar System Align) ausgerichtet werden.

1. Wählen Sie einen geeigneten hellen Stern aus der Datenbank der NexStar-Handsteuerung aus. Schwenken Sie das Teleskop auf den Stern.
2. Drücken Sie auf die **ALIGN**-Taste. Wählen Sie "Polausrichtung" und dann "Montierung ausrichten" aus der Liste aus.
3. Das Teleskop schwenkt nun erneut auf den Ausrichtungstern und fordert Sie dazu auf, diesen im Okular zu zentrieren, damit der Stern "synchronisiert" werden kann.
4. Drücken Sie auf Ausrichten, um das Teleskop jetzt in die Position zu schwenken, in der sich der Stern befinden sollte, wenn die Polausrichtung exakt ausgeführt wurde.
5. Nutzen Sie die Höhen- und Azimutjustierung der Montierung, um den Stern mittig im Okular zu platzieren. Verwenden Sie zum Zentrieren des Sterns jedoch nicht die Richtungstasten auf der Handsteuerung.
6. Drücken Sie auf ENTER. Die polare Ausrichtung ist abgeschlossen.

Bewegungsbereich der Montierung

Softwarebereich

Die CGX verfügt über eine Software mit Grenzsensoren, die erkennen, wenn sich die Montierung ihren mechanischen Grenzen annähert. Sobald die Montierung den Schalter erreicht, bremst der Motor bis zum Stillstand ab und es wird ein "Endschalter"-Warnhinweis angezeigt. Die Montierung schwenkt nicht weiter in die Richtung des Endschalter, bis Sie die Richtung umkehren.

Mechanischer Bereich

Die CGX verwendet eine interne Verkabelung. Damit ist die Montierung für die Bewegung innerhalb eines bestimmten Bereichs ausgelegt. Beide Achsen werden durch einen harten Anschlag begrenzt. Dieser begrenzte Bereich kann auch ungewollte Interferenzen zwischen Ihrem Teleskop und der Halterung oder dem Stativ verhindern. Falls die Montierung aus irgendeinem Grund den Software-Endschalter überschreitet (oder falls die Kupplung entriegelt ist und die Montierung manuell bewegt wird), stoppt die Montierung am harten Anschlag. Die RA-Schwenkgrenze (Abbildung 9.1) ermöglicht das Nachführen von 20° über den Meridian hinaus. Wenn Sie die nachführende Montierung unbeaufsichtigt lassen, stoppt sie automatisch, bevor der mechanische harte Anschlag erreicht ist. Die DEK-Schwenkgrenze (Abbildung 9.2) weist genügend Spielraum auf, um auf jeden Teil des Himmels zu schwenken.



Abbildung 9.1 Eine Seite der mechanischen RA-Grenze



Abbildung 9.2 Eine Seite der mechanischen DEK-Grenze

Die Montierung auf sehr hohe bzw. niedrige Breitengrade einstellen

Der EQ-Kopf kann in drei verschiedenen Positionen am Stativ positioniert werden. Diese drei Positionen können auch für eine optimierte Balance über dem Stativ genutzt werden. Die Montierung wird in der Mittelposition geliefert, was sich für Breitengrade zwischen 20 und 55° eignet. Wenn Sie die Montierung für Breitengrade unter 20° verwenden möchten, müssen Sie die Montierung nach vorne schieben. Wenn Sie Breitengrade über 55° anvisieren möchten, muss die Montierung nach hinten geschoben werden.

1. Entfernen Sie den Kopf vom Stativ, indem sie die drei Inbusschrauben entfernen.
2. Entfernen Sie vorsichtig die 8 Innensechskantschrauben unter dem Kopf. Sobald sie entfernt sind, sichert nur noch der Höhenanpassungsmechanismus die Bodenplatte des EQ-Kopfs.
3. Drehen Sie den Höhen-Einstellknopf, bis die Gewindebohrungen auf der Unterseite der Montierung mit den Löchern auf der Bodenplatte eine Linie bilden. Verschieben Sie die Platte nach vorn (in Richtung des Gegengewichts), wenn Sie sie für niedrigere Breiten verwenden möchten. Verschieben Sie die Platte nach hinten (in Richtung des Höhen-Einstellknopfs), wenn Sie sie für höhere Breiten verwenden möchten (Abbildung 10).

USB-Port

Der USB-Port der CGX kann nur als Verbindung zu Ihren PC verwendet werden:

1. Mit der speziellen Teleskop-Steuerungssoftware verwenden.
2. Firmware-Upgrade der Motorsteuerung in der Montierung.

Einfach ein Standard-USB-A-Typ-Kabel an den USB-Port der Montierung und an Ihren PC anschließen. Die Montierung sollte automatisch installiert werden.

Der USB-Port an der Montierung kann nicht mit ASCOM oder einer Teleskop-Steuerungssoftware eines Drittanbieters verwendet werden. Um die Montierung über ASCOM zu steuern, müssen Sie Ihren PC an den Mini-USB-Port der NexStar+ Handsteuerung anschließen.

Aux-Ports

Aux 1 und Aux 2 können für die NexStar+ Handsteuerung sowie für optionales Zubehör, wie StarSense AutoAlign und SkyPortal WiFi-Modul verwendet werden.

Autoguide-Port

Der Autoguide-Port sollte nur für die Nachführungsrelais der Kamera verwendet werden.

VORSICHT: Schließen Sie niemals die NexStar + Handsteuerung oder anderes Zubehör an den Autoguide-Port an. Dies könnte zu Schäden führen.



MITTELPOSITION



RÜCKWÄRTSPOSITION



VORWÄRTSPOSITION

Abbildung 10 Ändern der Montierungsposition auf dem Stativkopf

NexStar+ Handsteuerung

1. **LCD-Anzeigefenster (Flüssigkristallanzeige):** Eine rote Hintergrundbeleuchtung zum bequemen Betrachten der Teleskopinformationen und zum Scrollen von Text bei Nacht. Entfernen Sie vor Gebrauch den Schutzfilm auf dem Bildschirm.
2. **Ausrichtung (Align):** Startet die voreingestellte Ausrichtungsprozedur. Dient außerdem zur Auswahl eines Sterns oder anderen Objekts als Referenzpunkt für die Ausrichtung.
3. **Richtungstasten:** Ermöglicht die vollständige Kontrolle des Teleskops in jeder Richtung. Verwenden Sie die Richtungstasten zur Zentrierung von Objekten im Okular oder um das Teleskop manuell zu schwenken.
4. **Katalogtasten:** Ermöglicht direkten Zugang zu den Hauptkatalogen in der Datenbank mit Tausenden von Objekten.

Ihr Teleskop enthält die folgenden Kataloge in seiner Datenbank:

- **Sonnensystem-** Alle 7 Planeten unseres Sonnensystems, sowie Mond, Sonne und Pluto.
 - **Sterne-** benutzerdefinierte Listen der hellsten Sterne, Doppelsterne, variablen Sterne und Asterismen.
 - **Deep Sky-** benutzerdefinierte Listen der schönsten Galaxien, Nebel und Cluster, sowie die kompletten Messier- und NGC-Objekte.
5. **Identifizieren:** Durchsucht die Datenbank Ihres Teleskops und zeigt die Namen und die Offset-Entfernungen zu den nächstgelegenen passenden Objekten an.
 6. **Menü:** Zeigt Einstellungen und Funktionen an, wie Nachführungsrate, benutzerdefinierte Objekte und anderes.
 7. **Option (Celestron-Logo):** Funktioniert ähnlich wie die SHIFT-Taste bei einer Tastatur und kann in der Kombination mit weiteren Tasten verwendet werden, um auf erweiterte Eigenschaften und Funktionen zuzugreifen.
 8. **Enter:** Drücken der EINGABE-Taste ermöglicht die Auswahl einer beliebigen Funktion des Teleskops, akzeptiert eingegebene Parameter und schwenkt das Teleskop auf angezeigte Objekte.
 9. **Zurück:** Durch Drücken auf ZURÜCK verlassen Sie das aktuelle Menü, und die vorige Ebene des Menüpfads wird angezeigt. Wiederholtes Drücken der ZURÜCK-Taste lässt Sie zum Hauptmenü zurückkehren oder löscht versehentlich eingegebene Daten.
 10. **Himmelstour:** Aktiviert den Tour-Modus, der die interessantesten Objekte am Himmel findet und automatisch das Teleskop auf diese ausrichtet.
 11. **Scrolltasten:** Diese Tasten dienen zum Aufwärts- und Abwärtsscrollen in den Menülisten. Ein Doppelpfeilsymbol auf der rechten Seite des LCD zeigt an, dass die Scrolltasten verwendet werden können, um zusätzliche Informationen anzuzeigen. Diese Tasten haben eine abgeschrägte Form, damit sie auch ohne Hinsehen leicht bedient werden können.



Abbildung 11



Abbildung 11,2

12. **Motordrehzahl:** Ähnlich wie die RATE-Taste der originalen Handsteuerung ändert diese Taste die Motorgeschwindigkeit, wenn die Richtungstasten gedrückt werden.
13. **Objektinformation:** Zeigt Koordinaten und andere wissenswerte Informationen von Objekten, die aus der Datenbank ausgewählt wurden.
14. **Mini-USB-Port (Kabel nicht enthalten):** Das Teleskop kann über den Anschluss an einen PC mit Desktop gesteuert werden und Firmware-Updates können ausgeführt werden.
15. **Hilfemenü:** In zukünftigen Firmware-Updates wird diese Taste Hinweise zur Problembehandlung geben. Zurzeit dient diese Taste als Kurzwahltaste zum bequemen Aufrufen des Messierkatalogs.

Auswahl eines Objekts

Nun da das Teleskop richtig ausgerichtet ist, können Sie ein Objekt aus einem der Kataloge in der NexStar+ Datenbank der Handsteuerung auswählen. Die Handsteuerung verfügt über eine Taste, die jeder Objekt-Kategorie in der Datenbank zugewiesen wurde: Objekte im Sonnensystem, Sterne und Deep-Sky- (extrasolare) Objekte.

- **Sonnensystem** – Der Sonnensystem-Katalog zeigt alle Planeten (und den Mond) in unserem Sonnensystem an, die derzeit am Himmel sichtbar sind. Um zu ermöglichen, dass die Sonne als Option in der Datenbank angezeigt wird, siehe die Option „Allow Sun“ (Sonne zulassen) im Abschnitt Datenbank-Setup in der Bedienungsanleitung.
- **Sterne** – Der Sternenkatalog zeigt eine benutzerdefinierte Liste der hellsten Sterne, Doppel- (binäre) Sterne, variablen Sterne, Konstellationen und ausgewählten Asterismen an.
- **Deep-Sky** (extrasolarer Himmel) - benutzerdefinierte Listen der schönsten Galaxien, Nebel und Cluster sowie die kompletten Messier- und NGC-Objekte. Es gibt auch eine alphabetische Liste aller Deep-Sky-Objekte in der Reihenfolge ihrer allgemeinen Namen.

Mit den SCROLL-Tasten können Sie durch die Kataloge scrollen, um das gewünschte Objekt zu finden. Beim Scrollen durch eine lange Liste von Objekten können Sie durch Gedrückthalten von AUFWÄRTS und ABWÄRTS mit hoher Geschwindigkeit durch den Katalog scrollen.

Schwenken zu einem Objekt

Nachdem das gewünschte Objekt auf dem Display der Handsteuerung angezeigt wird, haben Sie zwei Möglichkeiten:

- **Drücken Sie die Taste OBJECT INFO.** Diese zeigt nützliche Informationen über das ausgewählte Objekt wie die Sterngröße, die Konstellation und zusätzliche Informationen über die beliebtesten Objekte, an.
 - Verwenden Sie die Pfeiltasten AUFWÄRTS/ ABWÄRTS, um durch die angezeigten Objekt-Informationen zu scrollen.
 - Das Drücken der ZURÜCK-Taste lässt Sie zur Objekt-Datenbank zurückkehren.
- **Drücken der EINGABE-Taste** Damit schwenkt das Teleskop automatisch zu den Koordinaten des Objekts, das auf der Handsteuerung angezeigt wird. Während das Teleskop zum Objekt schwenkt, kann der Benutzer immer noch auf viele der Handsteuerungsfunktionen zugreifen (wie z. B. Anzeige von Informationen über das Objekt).

HINWEIS: Die Messier- und NGC-Kataloge verlangen vom Anwender die Eingabe einer numerischen Bezeichnung. Wenn Sie die entsprechende Katalog-Taste und den Messier-, NGC- oder SAO-Katalog gewählt haben, zeigt ein blinkender Mauszeiger an, dass Sie jetzt im numerischen Eingabe-Modus sind.

Geben Sie die Katalognummer des Objekts ein, das Sie anzeigen möchten. Drücken der EINGABE-Taste schwenkt das Teleskop auf das Objekt oder halten der OPTION-Taste (das Celestron Logo) und drücken der OBJEKT INFO-Taste zeigt Informationen über das ausgewählte Objekt an.

VORSICHT: Niemals das Teleskop schwenken, wenn jemand in das Okular schaut. Das Teleskop kann sich mit schnellen Schwenkbewegungen bewegen und das Auge des Beobachters verletzen.

Motordrehzahltaaste

Die MOTORGESCHWINDIGKEIT-Taste ermöglicht es, ähnlich wie die Rate-Taste der originalen NexStar Handsteuerung, die Schwenkgeschwindigkeit sofort von der Hochgeschwindigkeits-Schwenkrate auf eine Rate für präzise Nachführung oder eine beliebige Rate dazwischen zu ändern. Jede Rate entspricht einer Zahl auf der Tastatur der Handsteuerung. Die Zahl 9 ist die schnellste Rate (ca. 3,5° pro Sekunde, je nach Montierung). Sie wird zum Schwenken zwischen Objekten und zur Lokalisierung von Ausrichtungs-Sternen verwendet. Die Zahl 1 auf der Handsteuerung ist die langsamste Rate (halb-siderisch) und kann zur präzisen Zentrierung von Objekten im Okular verwendet werden.

Änderung der Geschwindigkeitsrate der Motoren:

- Drücken Sie auf die MOTORDREHZAHL-Taste auf der Handsteuerung. Das LCD zeigt die aktuelle Motordrehzahl an.
- Drücken Sie die Nummer auf der Handsteuerung, die der gewünschten Drehzahl entspricht.

Die Handsteuerung besitzt eine „Doppeltasten“-Funktion auf, die Ihnen eine sofortige Beschleunigung der Motoren ermöglicht, ohne dass eine Geschwindigkeitsrate gewählt werden muss. Zur Verwendung dieser Funktion drücken Sie einfach die Pfeiltaste, die der Richtung entspricht, in die Sie das Teleskop bewegen möchten. Halten Sie diese Taste gedrückt und drücken Sie die Taste für die entgegengesetzte Richtung. Damit wird die Geschwindigkeit auf die maximale Schwenkrate erhöht.

Bei Verwendung der AUFWÄRTS- und ABWÄRTS-Richtungstasten der Handsteuerung bewegen die langsameren Schwenkraten (6 und darunter) die Motoren in die entgegengesetzte Richtung der schnelleren Schwenkraten (7 - 9). Das erfolgt, damit sich ein Objekt bei Betrachtung im Okular in die entsprechende Richtung bewegt (d. h. ein Drücken der Aufwärts-Pfeiltaste bewegt den Stern im Sichtfeld des Okulars nach oben). Wenn jedoch eine der langsameren Schwenkraten (Rate 6 und darunter) verwendet wird, um ein Objekt im StarPointer zu zentrieren, müssen Sie möglicherweise die entgegengesetzte Richtungstaste drücken, um das Teleskop in die richtige Richtung zu bewegen.

Das Handsteuerungsmenü

Das Menü „Handsteuerung“ ermöglicht Ihnen die Anpassung bestimmter Funktionen der NexStar+-Handsteuerung. Um dieses Menü aufzurufen, drücken Sie die MENÜ-Taste (Nr. 7 auf der Tastatur), verwenden zur Auswahl der „Handsteuerung“ die Scroll-Tasten und drücken auf ENTER. Verwenden Sie die Scroll-Tasten, um eine der folgenden Optionen auszuwählen:

- **Beleuchtungssteuerung:** Die Helligkeit der Zahlentastatur und des LCDs wird unabhängig voneinander geregelt.
- **Scroll-Menü:** Hiermit wird die Geschwindigkeit, mit der Worte über das LCD laufen, angepasst.
- **Fettdruck ändern:** Hiermit wird das Schriftformat der LCD-Anzeige von normal nach fett geändert.
- **Kontrast einstellen:** Über die Scroll-Tasten wird der LCD-Kontrast angepasst.
- **Sprache einstellen:** Hiermit wird die auf dem LCD angezeigte Sprache geändert.

HINWEIS: Die Funktion Sprache einstellen kann auch erscheinen, wenn Sie Ihre neue Handsteuerung das erste Mal verwenden. Sie können sie auch zu jeder Zeit aufrufen, indem Sie die Options-Taste (das Celestron-Logo) für 10 Sekunden drücken, während das Teleskop eingeschaltet wird.

Die Ausrichtung vornehmen

Damit das Teleskop präzise auf Objekte im Himmel zeigen kann, muss es zuerst auf bekannte Positionen (Sterne) am Himmel ausgerichtet werden. Mit diesen Daten kann das Teleskop ein Modell des Himmels erstellen, das dann zur Lokalisierung von Objekten mit bekannten Koordinaten verwendet wird. Es gibt viele Möglichkeiten, Ihr Teleskop am Himmel auszurichten; diese hängen davon ab, welche Daten der Benutzer bereitstellen kann:

- Die **Zweisternausrichtung** verwendet die gesamten eingegebenen Zeit-/Standortdaten und ermöglicht dem Benutzer, zu entscheiden, auf welche beiden Ausrichtungssterne das Teleskop automatisch schwenken soll.
- Die **Einsternausrichtung** verwendet die gleichen Zeit-/Standortdaten, nutzt jedoch nur einen Stern zur Ausrichtung.
- Die **Sonnensystemausrichtung** zeigt eine Liste sichtbarer Tagesobjekte an (Planeten sowie den Mond), die für die Ausrichtung des Teleskops zur Verfügung stehen.
- Die **Schnell-Ausrichtung** fordert Sie zur Eingabe derselben Daten auf, die auch für die Zweisternausrichtung nötig wären. Das Teleskop überspringt jedoch das Schwenken auf den Ausrichtungsstern zur Zentrierung und Ausrichtung und modelliert den Stern einfach aufgrund der vorhandenen Daten.
- Bei der **Letzten Ausrichtung** wird Ihre zuletzt gespeicherte Sternausrichtung und Schwenkposition wiederhergestellt. Die Letzte Ausrichtung bietet auch einen guten Schutz, falls das Teleskop von der Stromversorgung abgeschnitten wird.

Zweisternausrichtung

Die Zweisternausrichtung ermöglicht es dem Benutzer, zwei Sterne für die Teleskopausrichtung auszuwählen. Um Ihr

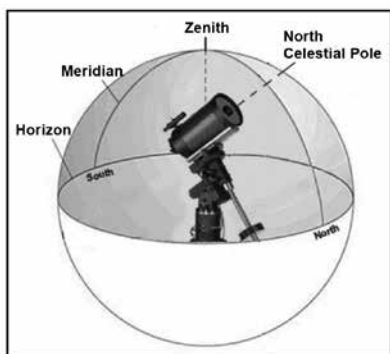
Teleskop unter Verwendung der Zweisternausrichtungsmethode ausrichten:

1. Wählen Sie die Zweisternausrichtung aus den vorhandenen Wahlmöglichkeiten aus. Basierend auf den eingegebenen Datums- und Uhrzeitangaben, wählt die Handsteuerung automatisch einen hellen Stern über dem Horizont aus und zeigt diesen an.
 - Drücken Sie auf ENTER, um diesen Stern als erster Ausrichtungsstern auszuwählen.
 - Falls der ausgewählte Stern aus irgendwelchen Gründen nicht sichtbar ist (eventuell weil er sich hinter einem Baum oder Gebäude befindet), auf die ZURÜCK-Taste drücken, damit die Handsteuerung automatisch den nächsten hellen Stern auswählt.
 - Oder Sie benutzen die Aufwärts-/Abwärts-Tasten, um die gesamte Liste benannter Sterne zu durchsuchen und einen der über zweitausend Ausrichtungssterne auszuwählen.
2. Sobald das Teleskop die Schwenkbewegung zum ersten Ausrichtungsstern beendet hat, werden Sie aufgefordert, den ausgewählten Stern mithilfe der Pfeiltasten auf das Fadenkreuz in der Mitte des Suchers auszurichten. Wenn dieser im Sucher zentriert ist, können Sie auf ENTER drücken. Nun hilft Ihnen die Anzeige dabei, den Stern im Sichtfeld des Okulars zu zentrieren. Wenn der Stern eingegeben ist, auf AUSRICHTEN drücken, um diesen Stern als ersten Ausrichtungsstern zu übernehmen.
3. Nachdem der ersten Ausrichtungsstern eingegeben ist, wählt die Handsteuerung automatisch einen zweiten Ausrichtungsstern aus, und die Ausrichtung muss für diesen Stern wiederholt werden. Wenn das Teleskop auf beide Sterne ausgerichtet ist, können Sie weitere Kalibrierungssterne eingeben. Kalibrierungssterne werden verwendet, um die Zeigegegenauigkeit Ihres Teleskops zu verbessern, indem subtile opto-mechanische Fehlaustrichtungen zwischen der Teleskopoptik und der Montierung kompensiert werden. Daher ist es empfehlenswert, mindestens einen zusätzlichen Kalibrierungsstern einzugeben, um die Zeigegegenauigkeit der Montierung zu erhöhen.
4. Drücken Sie auf ENTER, um einen Kalibrierungsstern einzugeben. Wählen Sie einen Stern genauso wie bei den ersten beiden Ausrichtungssternen aus und drücken Sie auf ENTER. Sie werden feststellen, dass sich alle angezeigten Kalibrierungssterne auf der Himmelsseite (Meridian) befinden, die den ursprünglichen Ausrichtungssternen gegenüberliegt. Dies ist für eine exakte Kalibrierung der Montierung entscheidend. Schließlich können Sie weitere Kalibrierungssterne hinzufügen oder auf ZURÜCK drücken, um die Ausrichtung abzuschließen.

Anmerkung: Ost-/West-Filter – um die bestmögliche Zeigegegenauigkeit zu gewährleisten, werden die anfänglichen Ausrichtungssterne von Ihrer computergesteuerte Montierung automatisch gefiltert und ausgewählt, sodass sich die beiden ersten Ausrichtungssterne auf der einen Seite des Meridians befinden und alle Kalibrierungssterne auf der entgegengesetzten Seite des Meridians, wie dies durch das „W“ bzw. „O“ in der oberen rechten Ecke des LCDs angezeigt wird. Der Ost-/West-Filter kann geändert werden, indem zu einer beliebigen Zeit während der Ausrichtung einfach die MENÜ-Taste gedrückt wird.

Tipps zum Hinzufügen von Kalibrierungssternen:

- Obwohl es für gelegentliche Beobachtungen nicht nötig ist, Kalibrierungssterne hinzuzufügen, ist es dennoch empfehlenswert, drei Kalibrierungssterne für eine optimale Zeigegegenauigkeit einzugeben.
- Wenn Sie Kalibrierungssterne auswählen, die nahe des Himmelsäquators liegen, erreichen Sie bessere Ergebnisse als mit Sternen nahe des Himmelspols.
- Obwohl es nicht nötig ist, Kalibrierungssterne zu verwenden, wenn die Teleskopmontierung seit der ursprünglichen Ausrichtung/Kalibrierung nicht bewegt wurde, könnte es doch nötig sein, das Teleskop erneut zu kalibrieren, falls der Teleskoptubus aus irgendeinem Grund bewegt wurde.



Anmerkung: Meridian – Der Meridian ist eine imaginäre Linie im Himmel, die am nördlichen Himmelspol beginnt, am südlichen Himmelspol endet und durch den Zenit verläuft. Wenn man sich nach Süden ausrichtet, beginnt der Meridian am südlichen Horizont und verläuft direkt über dem Kopf am Himmel zum nördlichen Himmelspol.

Schnell-Ausrichtung

Die Schnell-Ausrichtung nutzt alle Datums- und Uhrzeitangaben, die zu Beginn der Ausrichtung des Teleskops eingegeben wurden. Das Teleskop überspringt jedoch das Schwenken auf den Ausrichtungsstern zur Zentrierung und Ausrichtung und modelliert den Stern einfach aufgrund der vorhandenen Daten. Auf diese Weise können Sie grob zu den Koordinaten heller Objekte, wie dem Mond und zu Planeten, schwenken, und das Teleskop erhält die benötigten Daten für die Objektnachführung für jeden Himmelsabschnitt (in Abhängigkeit zur Genauigkeit der Polausrichtung). Die Schnell-Ausrichtung eignet sich nicht zum exakten Lokalisieren kleiner oder lichtarmer Deep-Sky-Objekte oder zum akkuraten Nachführen von Objekten in der Astrofotografie.

Zum Verwenden der Schnellausrichtung einfach die Schnellausrichtung aus den Ausrichtungsoptionen auswählen und auf ENTER drücken. Das Teleskop verwendet automatisch die eingegebenen Werte zu Datum/Uhrzeit, um sich selbst am Himmel auszurichten und zeigt „Ausrichtung erfolgreich“ an.

Anmerkung: Wenn eine Schnell-Ausrichtung vorgenommen wurde, können Sie die Neuausrichtungsfunktion nutzen (siehe unten), um die Zeigegegenauigkeit Ihres Teleskops zu erhöhen.

Letzte Ausrichtung

Bei der Letzten Ausrichtung werden automatisch die zuletzt gespeicherten Indexstandorte aufgerufen, um mit der Ausrichtung fortzufahren, die beim letzten Ausschalten des Teleskops gespeichert wurde. Diese Funktion ist nützlich, falls Ihr Teleskop einmal versehentlich von der Stromversorgung abgeschnitten oder ausgeschaltet wird.

Neuausrichtung

Die Montierung verfügt über die Neuausrichtungsfunktion, mit der jeder ursprüngliche Ausrichtungsstern durch einen neuen Stern oder ein anderes Himmelsobjekt ersetzt werden kann. Dies kann unter mehreren Umständen nützlich sein:

- Wenn Sie über mehrere Stunden hinweg beobachten, könnte Ihnen auffallen, dass Ihre beiden ursprünglichen Ausrichtungssterne beträchtlich Richtung Westen abgedriftet sind. (Bedenken Sie, dass Sterne 15° pro Stunde wandern). Eine Ausrichtung anhand eines neuen Sterns in einem östlichen Himmelsteil wird Ihre Zeigegegenauigkeit erhöhen, insbesondere für Objekte in diesem Himmelssektor.
- Wenn Sie Ihr Teleskop mithilfe der Schnellausrichtung ausgerichtet haben, können Sie die Neuausrichtung nutzen, um es auf tatsächliche Himmelsobjekte auszurichten. Dadurch wird die Zeigegegenauigkeit Ihres Teleskops erhöht, ohne dass zusätzliche Daten eingegeben werden müssen.
- Wenn Sie die computerunterstützte Ausrichtung genutzt haben und die Montierung manuell bewegt wurde, könnte es nötig sein, die Montierung für eine erhöhte Zeigegegenauigkeit neu auszurichten.

Einen bestehenden Ausrichtungsstern durch einen neuen Ausrichtungsstern ersetzen:

1. Wählen Sie den gewünschten Stern (oder das gewünschte Objekt) aus der Datenbank aus und schwenken Sie darauf zu.
2. Zentrieren Sie das Objekt sorgfältig im Okular.
3. Drücken Sie nach dem Zentrieren die ZURÜCK-Taste, bis Sie im Hauptmenü angelangt sind.
4. Drücken Sie auf die AUSRICHTEN-Taste, sobald „CGX bereit“ auf der Handsteuerung angezeigt wird, um Ausrichtungssterne aus der Liste der Optionen auszuwählen.
5. Geben Sie nun einen Ausrichtungsstern zum Ersatz in die Anzeige ein. Benutzen Sie die AUFWÄRTS- und ABWÄRTS-Tasten, um den für den Austausch vorgesehenen Ausrichtungsstern auszuwählen. Es ist gewöhnlich am besten, den Stern auszuwählen, der sich dem neuen Objekt am nächsten befindet. Dadurch werden Ausrichtungssterne im Himmel ausgeschlossen.
6. Drücken Sie zum Übernehmen der Änderungen auf ALIGN (Ausrichten).

Objektkatalog

Auswahl eines Objekts

Nun da das Teleskop richtig ausgerichtet ist, können Sie ein Objekt aus einem der Kataloge in der NexStar+ Datenbank der Handsteuerung auswählen. Die Handsteuerung verfügt über eine Taste, die jeder Objekt-Kategorie in der Datenbank zugewiesen wurde: Objekte im Sonnensystem, Sterne und Deep-Sky- (extrasolare) Objekte.

- **Sonnensystem** - Der Sonnensystem-Katalog zeigt alle Planeten (sowie den Mond) in unserem Sonnensystem an, die derzeit am Himmel sichtbar sind. Damit die Sonne als ein zur Auswahl stehendes Objekt in der Datenbank angezeigt wird, siehe die Option Sonnenmenü im Menü Teleskop-Setup.
- **Sterne** – Der Sternenkatalog zeigt eine benutzerdefinierte Liste der hellsten Sterne, Doppel- (binäre) Sterne, variablen Sterne, Konstellationen und ausgewählten Asterismen an.
- **Deep-Sky** (extrasolarer Himmel) - benutzerdefinierte Listen der schönsten Galaxien, Nebel und Cluster sowie die kompletten Messier- und NGC-Objekte. Es gibt auch eine alphabetische Liste aller Deep-Sky-Objekte in der Reihenfolge ihrer allgemeinen Namen.

Mithilfe der Scrolltasten können Sie durch die Kataloge blättern, um das gewünschte Objekt zu finden. Beim Scrollen durch eine lange Liste von Objekten können Sie durch Gedrückthalten der AUFWÄRTS- und ABWÄRTS-Tasten mit hoher Geschwindigkeit durch den Katalog blättern.

Schwenken zu einem Objekt

Nachdem das gewünschte Objekt auf dem Display der Handsteuerung angezeigt wird, haben Sie zwei Möglichkeiten:

- **Drücken Sie die Taste OBJECT INFO.** Diese zeigt nützliche Informationen über das ausgewählte Objekt wie die Sterngröße, die Konstellation und zusätzliche Informationen über die beliebtesten Objekte, an.
 - Verwenden Sie die Pfeiltasten **AUFWÄRTS/ABWÄRTS**, um durch die angezeigten Objekt-Informationen zu scrollen.
 - Das Drücken der **ZURÜCK**-Taste lässt Sie zur Objekt-Datenbank zurückkehren.
- **Drücken der EINGABE-Taste** Damit schwenkt das Teleskop automatisch zu den Koordinaten des Objekts, das auf der Handsteuerung angezeigt wird. Während das Teleskop zum Objekt schwenkt, kann der Benutzer immer noch auf viele der Handsteuerungsfunktionen zugreifen (wie z. B. Anzeige von Informationen über das Objekt).

HINWEIS: Die Messier- und NGC-Kataloge verlangen vom Anwender die Eingabe einer numerischen Bezeichnung. Wenn Sie die entsprechende Katalog-Taste und den Messier-, NGC- oder SAO-Katalog gewählt haben, zeigt ein blinkender Mauszeiger an, dass Sie jetzt im numerischen Eingabe-Modus sind. Geben Sie die Katalognummer des Objekts ein, das Sie anzeigen möchten. Durch Drücken der ENTER-Taste schwenkt das Teleskop auf das Objekt, und durch Gedrückthalten der OPTIONS-Taste (das Celestron Logo) und Drücken der OBJEKTINFO-Taste werden Informationen über das ausgewählte Objekt angezeigt.

VORSICHT: Niemals das Teleskop schwenken, wenn jemand in das Okular schaut. Das Teleskop kann sich mit schnellen Schwenkbewegungen bewegen und das Auge des Beobachters verletzen.

Himmelstour-Taste

Die CGX-Montierung verfügt über eine Tour-Funktion, mit welcher der Benutzer automatisch eine Auswahl aus einer Liste interessanter Objekte auf der Grundlage des Datums und der Uhrzeit der Beobachtung treffen kann. Die automatische Tour zeigt nur die Objekte an, die innerhalb Ihrer eingestellten Katalog-Filtergrenzen liegen. Um die Tour-Funktion zu aktivieren, drücken Sie die Taste **SKY TOUR** auf der Handsteuerung.

1. Drücken Sie auf die **HIMMELSTOUR**-Taste auf der Handsteuerung.
2. Wählen Sie mit der **SCROLL**-Taste die Option "Das Beste von heute Nacht".
3. Die CGX-Montierung schwenkt automatisch azimutal in die Ausgangsposition, was die Wahrscheinlichkeit minimiert, dass sich das Stromversorgungskabel während der Tour verwickelt.
4. Die Handsteuerung zeigt die besten Beobachtungsobjekte an, die zurzeit am Himmel stehen.
 - Drücken Sie auf die **OBJEKTINFO**-Taste, um Informationen und Daten über die angezeigten Objekte zu erhalten. Einmaliges Drücken zeigt die Objektkoordinaten an. Erneutes Drücken zeigt die Objektkoordinaten an. Drücken Sie die Taste erneut, um die Textbeschreibung anzuzeigen. Drücken Sie auf **ZURÜCK**, um zum vorherigen Bildschirm zurückzukehren.
 - Drücken Sie **ENTER**, um zum angezeigten Objekt zu schwenken.
 - Drücken Sie auf die **ABWÄRTS**-Taste, um das nächste Tour-Objekt anzuzeigen.

Identifizierungstaste

Durch Drücken der Taste **IDENTIFIZIEREN** werden die Datenbank-Kataloge der Montierung durchsucht und die Namen und Winkeldistanzen der nächstgelegenen passenden Objekte am aktuellen Standort des Teleskops angezeigt. Diese Funktion kann zwei Zwecke erfüllen: Erstens kann sie zur Identifikation eines unbekanntes Objekts im Sichtfeld Ihres Okulars verwendet werden. Außerdem kann der Identifizierungsmodus zur Lokalisierung anderer Himmelsobjekte, die dicht an den gegenwärtig von Ihnen beobachteten Objekten liegen, verwendet werden.

Wenn Ihr Teleskop z. B. auf den hellsten Stern im Sternbild Lyra gerichtet ist, können Sie Identifizieren wählen. Daraufhin wird ganz sicher der Stern Vega als der von Ihnen beobachtete Stern angegeben. Jedoch durchsucht die Identifizierungsfunktion auch seine NGC- und Sonnensystem-Datenbank und zeigt alle Planeten oder Deep-Sky-Objekte in der Nähe an. In diesem Beispiel wird der Ringnebel (M57) in ungefähr 6° Entfernung angezeigt.

Die Helligkeit und Nähe der angezeigten Objekte kann mittels des Identifizierungsfilters unter Teleskop-Setup definiert werden.

Richtungstasten

In der Mitte der Handsteuerung befinden sich vier Richtungstasten, die die Höhen- (auf und ab) und Azimut- (links und rechts) Bewegung des Teleskops steuern. Das Teleskop kann mit neun verschiedenen Geschwindigkeitsraten gesteuert werden.

1 = 2x	6 = 0,3 °/Sek.
2 = 4x	7 = 1 °/Sek.
3 = 8x	8 = 2°/Sek.
4 = 16-fach	9 = 4°/Sek.
5 = 32x	

Motordrehzahltaaste

Wenn Sie die **MOTORDREHZAHL**-Taste (12) drücken, können Sie die Drehzahl der Motoren sofort von einer Schwenkrate bei hoher Drehzahl auf eine Geschwindigkeit für präzise Nachführung oder eine Rate dazwischen ändern. Jede Geschwindigkeit entspricht einer Zahl auf der Tastatur der Handsteuerung. Die Zahl 9 ist die schnellste Geschwindigkeitsrate (ca. 4° pro Sekunde, je nach Energiequelle). Sie wird zum Schwenken zwischen Objekten und zur Lokalisierung von Ausrichtungsternen verwendet. Die Zahl 1 auf der Handsteuerung entspricht der langsamsten Geschwindigkeit (halb-siderisch) und kann zur präzisen Zentrierung von Objekten im Okular verwendet werden. Änderung der Motorendrehzahl:

- Drücken Sie auf die MOTORDREHZAHL-Taste auf der Handsteuerung. Das LCD zeigt die aktuelle Drehzahl an.
- Drücken Sie die Nummer auf der Handsteuerung, die der gewünschten Drehzahl entspricht.

Die Handsteuerung verfügt über eine „Doppeltasten“-Funktion, mit der Sie eine sofortige Beschleunigung der Motoren erreichen können, ohne dass eine Drehzahl gewählt werden muss. Zur Verwendung dieser Funktion drücken Sie einfach die Pfeiltaste, die der Richtung entspricht, in die Sie das Teleskop bewegen möchten. Halten Sie diese Taste gedrückt und drücken Sie die Taste für die entgegengesetzte Richtung. Damit wird die Geschwindigkeit auf die maximale Schwenkrate erhöht.

Bei Verwendung der **AUFWÄRTS**- und **ABWÄRTS**-Tasten auf der Handsteuerung bewegen die langsameren Schwenkraten (6 und darunter) die Motoren in die entgegengesetzte Richtung der schnelleren Schwenkraten (7 - 9). Das erfolgt, damit sich ein Objekt bei Betrachtung im Okular in die entsprechende Richtung bewegt (d. h. ein Drücken der Aufwärts-Pfeiltaste bewegt den Stern im Sichtfeld des Okulars nach oben). Wenn jedoch eine der langsameren Schwenkraten (Rate 6 und darunter) verwendet wird, um ein Objekt im StarPointer zu zentrieren, müssen Sie möglicherweise die entgegengesetzte Richtungstaste drücken, um das Teleskop in die richtige Richtung zu bewegen.

Hilfe-Taste

In zukünftigen Firmware-Updates wird diese Taste Hinweise zur Problembehandlung geben. Zurzeit dient diese Taste als Kurzwahltaaste zum bequemen Aufrufen des Messierkatalogs.

Menü-Taste

Die CGX-Montierung verfügt über zahlreiche benutzerdefinierte Setup-Funktionen, die dem Anwender die Kontrolle über die vielfältigen Eigenschaften des Teleskops geben sollen. Alle Konfigurations- und Hilfsfunktionen können durch Drücken der MENÜ-Taste und Scrollen durch die Optionen aufgerufen werden.

Nachführmenü

Nachführmodus – Hiermit kann die Art der Teleskopnachführung in Abhängigkeit zum Montierungstyp, der für das Teleskop verwendet wird, geändert werden. Das Teleskop verfügt über drei verschiedene Nachführmodi:

- **EQ-Nord** – wird verwendet, wenn das Teleskop in der nördlichen Hemisphäre polar ausgerichtet ist und über den Himmel nachgeführt werden soll.
- **EQ-Süd** – wird verwendet, wenn das Teleskop in der südlichen Hemisphäre polar ausgerichtet ist und über den Himmel nachgeführt werden soll.
- **Aus** – wenn das Teleskop für terrestrische (Land-) Beobachtungen genutzt wird. Die Nachführung kann ausgeschaltet werden, damit sich das Teleskop keinesfalls bewegt.

Nachführgeschwindigkeit - Zusätzlich zum Bewegen des Teleskops mit den Tasten der Handsteuerung wird Ihr Teleskop ständig ein Himmelsobjekt nachführen, während es sich über den Nachthimmel bewegt. Die Nachführgeschwindigkeit kann je nach dem Typ des beobachteten Objekts geändert werden:

- **Siderisch** – Diese Stufe kompensiert die Erdrotation, indem das Teleskop mit der gleichen Geschwindigkeit wie die Erdrotation, jedoch in entgegengesetzter Richtung, bewegt wird. Wenn das Teleskop polar ausgerichtet ist, wird dies erreicht, indem das Teleskop ausschließlich in die Rektaszension bewegt wird.
- **Lunar** - dient zur Nachführung des Mondes bei Beobachtung der Mondoberfläche.
- **Solar** - dient zur Nachführung der Sonne bei Sonnenbeobachtungen mit entsprechendem Filter.

Uhrzeit-/Standort-Anzeigemenü

Dieses Menü zeigt die aktuelle Uhrzeit sowie die vom optionalen SkySync-GPS-Empfänger heruntergeladenen Längen-/Breitengrade an. Es werden auch andere relevante Uhrzeit-/Standort-Daten wie Zeitzone, Sommerzeit und lokale siderische Zeit angezeigt. Die lokale siderische Zeit (LST) ist sinnvoll, um für Himmelsobjekte, die sich zu dieser Zeit auf dem Meridian befinden, die Rektaszension zu bestimmen. Die Uhrzeit-/Standort-Anzeige stellt immer die zuletzt gespeicherte Uhrzeit bzw. den zuletzt gespeicherten Standort dar, der während der Verbindung zum GPS eingegeben wurde. Sobald die aktuellen Daten empfangen wurden, werden diese aktualisiert. Wenn das GPS ausgeschaltet oder nicht verfügbar ist, zeigt die Handsteuerung nur die zuletzt gespeicherten Daten zu Uhrzeit und Standort an.

Das Handsteuerungsmenü

Das Menü „Handsteuerung“ ermöglicht Ihnen die Anpassung bestimmter Funktionen der NexStar+-Handsteuerung. Um dieses Menü aufzurufen, drücken Sie die **MENÜ**-Taste (Nr. 7 auf der Tastatur), verwenden zur Auswahl der „Handsteuerung“ die Scroll-Tasten und drücken auf ENTER.

Verwenden Sie die Scroll-Tasten, um eine der folgenden Optionen auszuwählen:

- **Beleuchtungssteuerung:** Die Helligkeit der Zahlentastatur und des LCDs wird unabhängig voneinander geregelt.
- **Scroll-Menü:** Hiermit wird die Geschwindigkeit, mit der Worte über das LCD laufen, angepasst.
- **Fettdruck ändern:** Hiermit wird das Schriftformat der LCD-Anzeige von normal nach fett geändert.
- **Kontrast einstellen:** Über die Scroll-Tasten wird der LCD-Kontrast angepasst.
- **Sprache einstellen:** Hiermit wird die auf dem LCD angezeigte Sprache geändert.

ANMERKUNG: Die Funktion Sprache einstellen kann auch erscheinen, wenn Sie Ihre neue Handsteuerung das erste Mal verwenden. Sie können sie auch zu jeder Zeit aufrufen, indem Sie die Options-Taste (das Celestron-Logo) für 10 Sekunden drücken, während das Teleskop eingeschaltet wird.

Teleskopsetupmenü

Uhrzeit-/Standorteinstellung – Hier kann der Benutzer die Teleskopanzeige anpassen, indem er Uhrzeit- und Standortwerte (wie z. B. Zeitzone und Sommerzeit) ändert.

Getriebeispielkompensation - Alle mechanischen Getriebe weisen einen gewissen Nachlauf oder ein Spiel zwischen den Gängen auf. Dieses Spiel manifestiert sich in der Zeitspanne, die zur Bewegung eines Sterns im Okular nötig ist, wenn die Pfeiltasten auf der Handsteuerung gedrückt werden (besonders bei Richtungsänderungen). Die Getriebeausgleichsfunktion des CGX lässt den Benutzer das Getriebeispiel ausgleichen, indem er einen Wert eingibt, der die Motoren schnell gerade so viel zurückschaltet, dass das Spiel zwischen den Gängen eliminiert wird.

Das Ausmaß der erforderlichen Kompensation hängt von der ausgewählten Schwenkrate ab. Je geringer die Schwenkrate, desto länger dauert es, bis der Stern sich im Okular zu bewegen scheint. Für jede Achse existieren zwei Werte, ein positiver und ein negativer:

- Als positiv wird das Ausmaß der angewendeten Kompensation bezeichnet, wenn Sie die Taste drücken, damit sich die Gänge schnell und ohne lange Pause bewegen.
- Als negativ wird das Ausmaß der angewendeten Kompensation bezeichnet, wenn Sie die Taste loslassen und die Motoren in die andere Richtung bewegt werden, um die Nachführung wieder aufzunehmen.

Generell sollten beide Messwerte identisch sein. Es wird nötig sein, mit verschiedenen Werten zu experimentieren (von 0 – 99); ein Wert zwischen 20 und 50 ist generell optimal für die meisten visuellen Betrachtungen, während ein höherer Wert für fotografische Führungen nötig sein könnte.

Zur Einstellung des Getriebeispielkompensationswerts scrollen Sie zur Option Getriebeispielkompensation und drücken ENTER. Beobachten Sie, während ein Objekt durch das Okular betrachtet wird, die Reaktionssensibilität aller vier Pfeiltasten. Achten Sie darauf, bei welcher Richtung eine Pause in der Sternbewegung zu verzeichnen ist, nachdem die Taste gedrückt wurde. Während Sie die Achsen der Reihe nach einzeln bearbeiten, werden die Getriebebeispielstellungen so weit angepasst, dass eine sofortige Bewegung ohne nennenswerten Sprung erreicht wird, wenn die Taste gedrückt oder losgelassen wird. Geben Sie nun die

gleichen Werte für die positive und negative Richtung ein. Wenn Sie einen Sprung bemerken, wenn die Taste losgelassen wird, die Werte jedoch niedriger eingestellt werden, entsteht beim Tastendruck eine Pause; verwenden sie den höheren Wert für positiv und den niedrigeren Wert für negativ. Das Teleskop speichert diese Werte und verwendet sie jedes Mal, wenn das Teleskop eingeschaltet wird, bis sie geändert werden.

Filtergrenzen – Wenn eine Ausrichtung abgeschlossen ist, erkennt das Teleskop automatisch, welche Himmelsobjekte sich über dem Horizont befinden. Dadurch zeigt die Handsteuerung beim Scrollen durch die Datenbankliste (oder bei der Auswahl der Tourfunktion) nur jene Objekte an, die während Ihrer Beobachtung als über dem Horizont stehend bekannt sind. Sie können die Objektdatenbank anpassen, indem Sie Höhengrenzwerte eingeben, die sich für Ihren Standort und Ihre Situation eignen. Wenn Sie beispielsweise von einem bergigen Standort aus beobachten, und der Horizont teilweise verdeckt ist, können Sie die Mindesthöhengrenze auf +20° einstellen. Dadurch wird sichergestellt, dass die Handsteuerung lediglich Objekte anzeigt, die sich in einer Höhe über 20° befinden.

TIPP: Wenn Sie die gesamte Objektdatenbank erkunden möchten, setzen Sie die maximale Höhengrenze auf 90° und die minimale Grenze auf -90°. Dadurch wird jedes Objekt angezeigt, das in der Datenbank aufgelistet ist, unabhängig davon, ob es von Ihrem Standort aus am Himmel zu sehen ist.

Richtungstasten – Die Richtung, in die sich ein Stern im Okular zu bewegen scheint, ändert sich in Abhängigkeit der Meridiansseite, auf der sich der Teleskoptubus befindet. Dies kann zu Verwirrung führen, insbesondere, wenn ein Stern für die Astrofotografie nachgeführt wird. Dies kann kompensiert werden, indem die Richtung der Antriebssteuerungstasten geändert wird. Um die Tastenlogik der Richtungstasten umzukehren, drücken Sie die MENÜ-Taste und wählen die Richtungstasten aus dem Utility-Menü. Verwenden Sie die Aufwärts-/Abwärts-Tasten (10), um entweder die Azimuttasten (Rektaszension) oder die Höhentasten (Deklination) auszuwählen und drücken dann auf ENTER. Wählen Sie für beide Achsen entweder positiv oder negativ und drücken Sie zum Speichern auf ENTER. Wird die Azimut-Tastensrichtung auf positiv eingestellt, bewegt sich das Teleskop in die gleiche Richtung, die das Teleskop nachführt (d. h. nach Westen). Werden die Höhentasten auf positiv gestellt, bewegt sich das Teleskop gegen den Uhrzeigersinn entlang der DEKLINATIONSAchse.

GoTo-Annäherung – Hiermit kann der Benutzer die Richtung festlegen, in die sich das Teleskop beim Schwenk einem Objekt annähert. Dadurch kann der Benutzer den Getriebebeispielkompensationseffekt minimieren, wenn von einem Objekt zum nächsten geschwenkt wird. Genauso wie bei den Richtungstasten nähert sich das Teleskop bei einer GoTo-Annäherung, die auf positiv eingestellt ist, in gleicher Richtung wie bei der azimutalen Nachführung (Westen) und in der Deklination gegen den Uhrzeigersinn an ein Objekt an. Die GoTo-Annäherung in der Deklination wird nur verwendet, während sich der Teleskoptubus auf einer Seite des Meridians befindet. Sobald der Tubus auf die andere Seite des Meridians schwenkt, muss die GoTo-Annäherung umgekehrt werden. Wählen Sie zur Richtungsänderung der GoTo-Annäherung einfach eine GoTo-Annäherung aus dem Teleskopsetupmenü aus, wählen Sie entweder eine Höhen- oder Azimut-Annähe-

rung aus, wählen Sie positiv oder negativ und drücken Sie auf Enter.

HINWEIS: Um den Einfluss des Getriebespiels bei der Zeigegegenauigkeit zu minimieren, sollten die Einstellungen für die Richtungstasten mit denen der GoTo-Automatik übereinstimmen. Standardmäßig werden die Richtungstasten Aufwärts und Rechts für das Zentrieren der Ausrichtungsterne verwendet, was automatisch einen Großteil des Getriebespiels eliminiert. Wenn Sie die GoTo-Automatik Ihres Teleskops ändern, ist eine Änderung der Richtungstasten nicht nötig. Achten Sie einfach auf die Richtung, die das Teleskop nimmt, wenn die letzte Bewegung der GoTo-Automatik abgeschlossen ist. Wenn sich das Teleskop von Westen (negativer Azimut) und im Uhrzeigersinn (negative Höhe) an seinen Ausrichtungstern annähert, müssen Sie sicherstellen, dass die zur Zentrierung der Ausrichtungsterne verwendeten Tasten das Teleskop in dieselbe Richtung bewegen.

Autoguide-Rate – hier kann der Benutzer eine Autoguide-Rate als Prozentanteil der siderischen Rate einstellen. Dies ist bei der Kalibrierung Ihres Teleskops auf einen CCD-Autoguider für die Astrofotografie mit langen Belichtungszeiten nützlich.

OTA-Orientierung – Einige Benutzer möchten einen optionalen Doppeladapter verwenden, der es ihnen ermöglicht, zwei optische Tuben gleichzeitig an der Montierung anzubringen. Durch die übliche Anbringung des Doppeladapters an einer Montierung befinden sich die optischen Tuben so an der Montierung, dass sie im 90°-Winkel von der Standardposition abweichen. Damit die Montierung nun erfolgreich an den Gestirnen ausgerichtet werden kann, muss das Teleskop wissen, dass ein Doppeladapter verwendet wird und in welcher Richtung die optischen Tuben angebracht wurden (Ost oder West), wenn mit der Ausrichtung begonnen wird. Die Doppeloption muss vor der anfänglichen Sternausrichtung eingestellt werden. Gehen Sie zum Einstellen dieser Option ins Teleskopsetupmenü, wählen Sie die Doppelfunktion aus und drücken Sie auf ENTER. Wählen Sie nun eine der folgenden Optionen:

- **Ost** – Wenn die beiden aufgesetzten Teleskoptuben Richtung Osten zeigen, während die Deklinations-Indexmarkierungen ausgerichtet werden, wählen Sie Ost aus.
- **West** – Wenn die beiden aufgesetzten Teleskoptuben Richtung Westen zeigen, während die Deklinations-Indexmarkierungen ausgerichtet werden, wählen Sie West aus.
- **Normal** – Wenn die Doppelstange nicht länger verwendet wird, wählen Sie „normal“ aus, um diese Funktion auszuschalten.

Meridian – Diese Funktion instruiert die Montierung, wie zu reagieren ist, wenn auf Objekte zugeschwenkt wird, die von beiden Seiten des Meridians erreichbar sind. Die Meridianfunktion ermöglicht es dem Teleskoptubus, während des Schwenks auf einer gewünschten Seite der Montierung zu bleiben und die Nachführung in Übereinstimmung mit den vom Benutzer eingestellten RA-Schwenkgrenzen auszuführen. Siehe R.A. Grenzen unten. Die Meridianfunktion umfasst vier Wahlmöglichkeiten:

- **Aktuelle Bevorzugung** – Hierbei kann die Montierung die Seite bevorzugen, die jeweils aktuell ist, wenn ein Objektschwenk nahe des Meridians stattfindet. Wenn Ihre

RA-Schwenkgrenzen beispielsweise die Nachführung der Montierung für 10 ° über dem Meridian erlauben, bleibt das Teleskop auf der aktuellen Seite des Meridians, wenn es auf Objekte zuschwenkt, die sich maximal 10 ° jenseits Ihres Meridians befinden.

- **Westen bevorzugt** – Ist das Zielobjekt von beiden Seiten der Montierung erreichbar, wird die Montierung durch die Auswahl „Westen bevorzugt“ angewiesen, das Objekt soweit anzuzeigen, als würde es sich auf der westlichen Seite des Meridians befinden. Der optische Tubus wird nun auf der östlichen Seite der Montierung positioniert und zeigt nach Westen.
- **Osten bevorzugt** – Ist das Zielobjekt von beiden Seiten der Montierung erreichbar, wird die Montierung durch die Auswahl „Osten bevorzugt“ angewiesen, das Objekt soweit anzuzeigen, als würde es sich auf der östlichen Seite des Meridians befinden. Der optische Tubus wird nun auf der westlichen Seite der Montierung positioniert und zeigt nach Osten.
- **Deaktiviert** – Hierbei handelt es sich um die Standardeinstellung, durch welche die Montierung angewiesen wird, immer soweit auf die andere Seite umzuschwenken, wie es zum Anzeigen von Objekten auf der gegenüberliegenden Meridianseite erforderlich ist. Sobald das gewünschte Objekt erreicht ist, führt die Montierung jedoch entsprechend den eingestellten RA-Schwenkgrenzen über den Meridian hinaus nach.

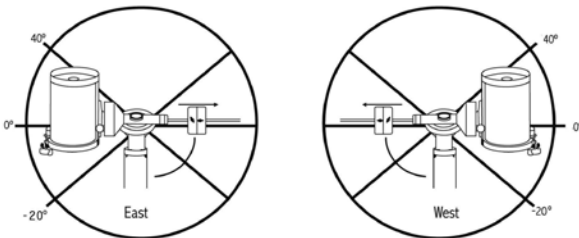
Montierungseinstellungen – Sobald die Montierungseinstellungen kalibriert sind (siehe nachstehenden Abschnitt Utilities), werden die Werte in der Handsteuerung gespeichert und angezeigt. Wir raten davon ab, die Kalibrierungswerte zu ändern. Jede Einstellung kann jedoch wenn nötig geändert werden, um die Teleskopleistung zu verbessern.

- **Konus-Wert** – Hierbei handelt es sich um den Konus-Fehlerwert, der eingestellt wird, wenn Utilities/Montierungskalibrierung/DEK-Schalter - Konus ausgeführt wird.
- **DEK-Index** – Hierbei handelt es sich um den Deklinationsindex-Fehlerwert, der gespeichert wird, wenn Kalibrierungsterne nach der anfänglichen Sternausrichtung hinzugefügt werden.
- **RA-Index** – Hierbei handelt es sich um den RA-Index-Fehlerwert, der eingestellt wird, wenn Hilfe/Montierungskalibrierung/RA- Schalter ausgeführt wird.

R.A. Grenzwerte – Hier werden die Grenzwerte eingestellt, die das Teleskop beim Schwenk oder der Nachführung in Rektaszension (RA) bis zum Stopp erreichen kann. Die Schwenkgrenzen werden in Grad angegeben und sind standardmäßig auf 0° eingestellt, was die Teleskopposition darstellt, wenn die Gegengewichtsstange horizontal ausgezogen ist. Die Schwenkgrenzen können jedoch je nach Ihren Anforderungen angepasst werden. Wenn Sie zum Beispiel eine Ausrüstung für die CCD-Fotografie benutzen, deren Kabel nicht lang genug sind, um die Schwenkbewegung des Teleskops über den Himmel zu ermöglichen, können die Schwenkgrenzen auf der Montierungsseite, die durch die Kabellänge eingeschränkt ist, angepasst werden, damit das Teleskop die Schwenkbewegung stoppt, bevor dieser Punkt erreicht wird. Oder wenn Sie ein Objekt fotografieren, das gerade den Meridian überschritten hat, können Sie die Grenzwerte so einstellen, dass der Montierung erlaubt wird, weiter in diese Richtung über den Meridian hinaus nachzu-

führen, ohne das Teleskop auf die andere Seite der Montierung zu „kippen“ (siehe obenstehende Meridianfunktion). Unter Verwendung des ersten oben genannten Beispiels könnte der Benutzer das Teleskop in R.A. (Azimut) schwenken, bis er den Punkt erreicht, wo die Kabel auf ihre maximale verlängert werden. Wenn das Teleskop nun den Azimut in dieser Position anzeigt (wenn Sie unter dem Utility-Menü die Achsenposition ablesen), können Sie den Azimut des Teleskops als Maximalposition festlegen. Geben Sie diese Azimutwerte als Maximal- und Minimal-Azimut-Schwenkgrenzen ein, um sicherzustellen, dass das Teleskop nicht über diesen Punkt hinaus schwenkt. Die Teleskop-Schwenkgrenzen können so eingestellt werden, dass an einem beliebigen Punkt zwischen 40° über dem Niveau und 20° unter dem Niveau automatisch gestoppt wird. Zum Einstellen der RA-Schwenkgrenzen stehen folgende Wahlmöglichkeiten zur Verfügung:

- **R.A. Grenzwert Osten** - Geben Sie eine Zahl zwischen +40° und -20° ein, um die Schwenkgrenze festzulegen, wenn sich der Tubus auf der östlichen Seite der Montierung befindet.
- **R.A. Grenzwert Westen** - Geben Sie eine Zahl zwischen +40° und -20° ein, um die Schwenkgrenze festzulegen, wenn sich der Tubus auf der westlichen Seite der Montierung befindet.
- **Grenzwerte deaktivieren** – Hiermit werden alle vordefinierten Werte, die eingegeben wurden, deaktiviert, wodurch die Montierung die maximale Strecke über den Meridian hinaus (d. h. -20° auf beiden Seiten) nachführen kann.



WARNUNG: Damit das Teleskop von einer Richtung auf einen Stern zuschwenken kann, die das Ausmaß des Getriebeispiels minimiert, könnte es nötig sein, dass das Teleskop über den spezifizierten Grenzwert in der Schwenkbewegung hinausgeht, damit es sich dem Stern aus der korrekten Richtung annähern kann. Dadurch sind Ihre Möglichkeiten, weiter als 6° über dem in der Handsteuerung eingestellten RA-Schwenkgrenzwert auf ein Objekt zu schwenken, begrenzt. Wenn dies ein Problem darstellt, kann die Richtung, in der das Teleskop ein Objekt zentriert, geändert werden. Zum Ändern der Schwenkrichtung des Teleskops, siehe GoTo-Automatik im Teleskop-Setupmenü.

Benutzerdefinierte Rate 9 – Hiermit können Sie die Schwenkrate des Teleskops auf ein Ziel hin anpassen. Sie können die RA- und DEK-Achsen separat einstellen.

Utility-Menü

Wenn Sie durch die Optionen des MENÜS (9) scrollen, erhalten Sie auch Zugriff auf verschiedene, fortgeschrittene Utilityfunktionen des Teleskops, wie z. B. Montierung kalibrieren, Ruheposition und Vieles mehr.

Montierung kalibrieren – Um die Leistung und Zeige-genauigkeit des Teleskops zu optimieren, verfügt die Montierung über integrierte Kalibrierungsroutinen zur Kompensation mechanischer Vibrationen der Deutschen Montierung. Jede Kalibrierung wird vollautomatisch durchgeführt und muss in den meisten Fällen nur einmal ausgeführt werden. Wir empfehlen dringend, sich ein paar Minuten Zeit zu nehmen, die Kalibrierungsverfahren durchzulesen.

- **R.A. Schalter** – Mittels dieses Verfahrens wird der Offsetfehler aufgezeichnet, wenn die Rektaszensions-Indexmarkierung beim Hochfahren ausgerichtet wird. Kalibrierung des R.A. Indexes erhöht die Genauigkeit Ihrer anfänglichen Sternausrichtung für spätere Teleskopausrichtungen.
- **GoTo Kalibrierung** - GoTo Kalibrierung ist ein nützliches Werkzeug, wenn schweres visuelles oder Fotozubehör am Teleskop befestigt wird. Die GoTo-Kalibrierung berechnet die Distanz und Zeit, die von der Montierung benötigt wird, um den letzten, langsamen GoTo-Abschnitt zu beenden, wenn auf ein Objekt zugeschwenkt wird. Eine Änderung an der Teleskopbalance kann die Zeit verlängern, die für den letzten Schwenk benötigt wird. Die GoTo-Kalibrierung berücksichtigt kleinste Ungleichgewichte und Änderungen der letzten GoTo-Distanz und kompensiert diese.

Startposition – Bei der „Startposition“ des Teleskops handelt es sich um eine benutzerdefinierte Position, die bei der Lagerung des Teleskops verwendet wird, wenn dieses nicht in Gebrauch ist. Die Startposition ist nützlich, wenn das Teleskop als ständige Sternwarte gelagert wird. Standardmäßig ist die Startposition mit der Indexposition für die Ausrichtung der Montierung identisch.

Zum Einstellen der Startposition Ihrer Montierung verwenden Sie einfach die Pfeiltasten auf der Handsteuerung, um die Teleskopmontierung in die gewünschte Position zu bewegen. Wählen Sie die Option Einstellen aus und drücken Sie auf Enter.

Wählen Sie die Option GoTo aus, um das Teleskop zu einem beliebigen Zeitpunkt zurück in die Startposition zu bewegen.

Werkseinstellungen – Setzt die Handsteuerung auf die ursprünglichen Werkseinstellungen zurück. Werte wie die Getriebeispielkompensation, anfängliche Daten zu Datum und Uhrzeit, Längen-/Breitengrade sowie Schwenk- und Filtergrenzen werden rückgesetzt. Gespeicherte Werte, wie z. B. benutzerdefinierte Objekte, bleiben jedoch auch bei der Auswahl der Werkseinstellungen gespeichert. Die Handsteuerung fordert Sie zum Drücken der „0“-Taste auf, bevor die Werkseinstellungen aktivierbar werden.

Version – Wird diese Option ausgewählt, können Sie die aktuelle Versionsnummer von Hand- und Motorsteuerung einsehen. Der erste Nummernsatz zeigt die Softwareversion der Handsteuerung an. Für die Motorsteuerung zeigt die Handsteuerung zwei Nummernsätze an: die ersten Nummern geben den Azimut und die zweiten die Höhe an.

Achsenposition – Hier werden die relativen Werte für Höhe und Azimut der aktuellen Teleskopposition angezeigt.

GoTo-Achsenposition – Hier können Sie eine spezifische relative Höhen- und Azimut-Position eingeben und darauf schwenken.

Ruheposition – Die Ruheposition ermöglicht es dem Teleskop, vollständig abzuschalten und dennoch seine Ausrichtung beizubehalten, wenn es wieder eingeschaltet wird.

Dadurch wird nicht nur Energie gespart, sondern es ist auch ideal für Personen, die ihr Teleskop permanent aufgestellt lassen oder ihr Teleskop über einen längeren Zeitraum an einem Standort belassen. Aktivieren des Teleskop-Ruhemodus:

1. Im Utility-Menü den Ruhemodus auswählen.
2. Das Teleskop in die gewünschte Position bringen und ENTER drücken.
3. Das Teleskop ausschalten. Achten Sie darauf, das Teleskop im Ruhemodus niemals zu bewegen.

Sobald das Teleskop erneut eingeschaltet wird, zeigt der Bildschirm Aufwachen an. Nachdem Sie auf Enter gedrückt haben, haben Sie die Möglichkeit, durch die Uhrzeit-/Standort-Informationen zu scrollen, um die aktuelle Einstellung zu bestätigen. Drücken Sie auf ENTER, um das Teleskop aufzuwecken.

HINWEIS: Wenn Sie auf dem Aufwach-Bildschirm auf ZURÜCK drücken, können Sie viele Funktionen der Handsteuerung einsehen, ohne das Teleskop aus dem Ruhemodus aufzuwecken. Um das Teleskop, nachdem Sie auf ZURÜCK gedrückt haben, aufzuwecken, wählen Sie im Utility-Menü Ruheposition aus und drücken auf ENTER. Die Richtungstasten dürfen, während sich das Teleskop im Ruhemodus befindet, nicht zum Bewegen verwendet werden.

Sonnenmenü

Aus Sicherheitsgründen wird die Sonne nicht als Datenbankobjekt angezeigt, es sei denn, dies wird zuvor aktiviert. Gehen Sie zum Aktivieren der Sonne ins Sonnenmenü und drücken Sie auf ENTER. Die Sonne wird nun im Planetenkatalog angezeigt und kann als Ausrichtungsobjekt für die Sonnensystem-Ausrichtung verwendet werden. Wählen Sie zum Entfernen der Sonne aus der Handsteuerungsanzeige erneut das Sonnenmenü im Utility-Menü aus und drücken Sie auf ENTER.

Einstellen der Montierungsposition

Das Menü zum Einstellen der Montierungsposition kann verwendet werden, um Ihre Ausrichtung beim Auskuppeln oder ähnlichen Umständen zu erhalten. Sie könnten diese Funktion beispielsweise nutzen, wenn die Montierung nach einer vollständigen Ausrichtung neu ausbalanciert werden muss. Schwenken Sie zum Einstellen der Montierungsposition auf einen hellen Stern in der Liste der benannten Sterne und wählen Sie Einstellen der Montierungsposition aus. Die Handsteuerung wird mit dem Stern synchronisiert, indem Sie den Stern im Okular zentrieren und die Ausrichten-Taste drücken. Nach der Synchronisation mit dem Stern können Sie die Montierung in beiden Achsen manuell bewegen, um die Balance wiederherzustellen. Wenn Sie das Teleskop auf Ihr nächstes Objekt schwenken möchten, bedenken Sie bitte, dass Sie den Tubus manuell zum selben hellen Stern zurückführen müssen, um diesen im Okular zu zentrieren. Die Verwendung dieses Werkzeugs hebt den PEC-Index auf.

Das GPS an-/ausschalten – Wenn Sie Ihr Teleskop zusammen mit dem optionalen SkySync-GPS-Zubehör verwenden, müssen Sie das GPS bei der ersten Zubehörunterstützung einschalten. Wenn Sie die Datenbank des Teleskops zum Auffinden der Koordinaten eines Himmelsobjekts zu einem künftigen oder vergangenen Datum nutzen möchten, müssen Sie das GPS ausschalten, damit Sie eine von der aktuellen Zeit abweichende Angabe manuell eingeben können.

RTC an-/ausschalten – hiermit können Sie die interne Echtzeituhr des Teleskops ausschalten. Beim Ausrichten empfängt das Teleskop weiterhin Informationen von der RTC. Wenn Sie die Datenbank des Teleskops zum Auffinden der Koordinaten eines Himmelsobjekts zu einem künftigen oder vergangenen Datum nutzen möchten, müssen Sie die RTC ausschalten, damit Sie eine von der aktuellen Zeit abweichende Angabe manuell eingeben können.

Periodische Fehlerkorrektur (PEC) – Die PEC wurde konzipiert, um die fotografische Qualität zu verbessern, indem die Amplitude der Schneckenfehler reduziert und die Nachführgenauigkeit des Antriebs erhöht wird. Diese Funktion wird bei der fortgeschrittenen Astrofotografie bei akkurater Polausrichtung Ihres Teleskops verwendet. Weitere Informationen über die PEC-Verwendung finden Sie im Abschnitt „Astrofotografie“ in diesem Handbuch.

Menü benutzerdefinierte Objekte

Ihr Teleskop kann bis zu 400 verschiedene benutzerdefinierte Objekte speichern. Bei diesen Objekten kann es sich um von Ihnen entdeckte terrestrische Tagesobjekte oder interessante Himmelsobjekte handeln, die nicht in der regulären Datenbank vorhanden sind. Es gibt verschiedene Wege, ein Objekt in Abhängigkeit der Art des Objekts zu speichern:

GoTo-Objekt: Gehen Sie zu einem beliebigen benutzerdefinierten Objekt, das in der Datenbank gespeichert ist, scrollen Sie entweder zu „GoTo-Sky-Obj“ oder „GoTo-Land-Obj“, geben Sie die Nummer des Objekts ein, das Sie auswählen möchten und drücken Sie auf ENTER. Das Teleskop wird die Daten automatisch abrufen und die Koordinaten anzeigen, bevor es auf das Objekt schwenkt.

Ein Himmelsobjekt speichern: Ihr Teleskop speichert Himmelsobjekte nach deren Rektaszensions- sowie Deklinationskoordinaten im Himmel in die Datenbank ab. Auf diese Weise kann dasselbe Objekt jedes Mal gefunden werden, wenn das Teleskop ausgerichtet wird. Sobald ein gewünschtes Objekt im Okular zentriert wurde, scrollen Sie einfach zum Befehl „Himmelsobj. speichern“ und drücken auf ENTER. Die Anzeige fordert Sie zur Eingabe einer Nummer zwischen 1 und 200 auf, um das Objekt zu identifizieren. Drücken Sie erneut auf ENTER, um dieses Objekt in die Datenbank zu speichern.

Datenbank (Db) speichern

- **Objekt:** Mithilfe dieser Funktion können Sie Ihre eigene Benutzertour aus Datenbankobjekten anlegen, indem die aktuelle Teleskopposition zusammen mit dem Namen eines aus einem beliebigen Datenbankkatalog ausgewählten Objekts gespeichert wird. Auf diese Objekte kann nun über die GoTo-Himmelsobjekt-Auswahl zugegriffen werden.
- **R.A. eingeben - DEK:** Sie können auch spezifische Koordinaten für ein Objekt speichern, indem Sie einfach die RA sowie die Deklination dieses Objekts eingeben. Scrollen Sie zum Befehl „RA-DEK eingeben“ und drücken Sie auf ENTER. Die Anzeige fordert Sie nun dazu auf, zuerst die RA und anschließend die Deklination des gewünschten Objekts einzugeben.
- **Ein terrestrisches Objekt speichern:** Das Teleskop kann auch als Spektiv für terrestrische Objekte genutzt werden. Feststehende terrestrische Objekte können

gespeichert werden, indem relativ zum Standort des Teleskops zum Betrachtungszeitpunkt Höhe und Azimut gespeichert werden. Da sich diese Objekte relativ zum Standort des Teleskops befinden, sind deren Daten nur für exakt diesen Standort gültig. Terrestrische Objekte werden gespeichert, indem das gewünschte Objekt erneut im Okular zentriert wird. Scrollen Sie zum Befehl „Terrestrisches Obj. speichern“ und drücken Sie auf ENTER. Die Anzeige fordert Sie zur Eingabe einer Nummer zwischen 1 und 200 auf, um das Objekt zu identifizieren. Drücken Sie erneut auf ENTER, um dieses Objekt in die Datenbank zu speichern.

Um Inhalte eines beliebigen benutzerdefinierten Objekts zu ändern, können Sie einfach ein neues Objekt unter der bereits bestehenden Identifikationsnummer speichern; das Teleskop ersetzt das vorherige benutzerdefinierte Objekt durch das aktuelle Objekt.

RA/DEK aufrufen – Hierbei werden Rektaszension und Deklination der aktuellen Teleskopposition angezeigt.

GoTo-RA/DEK – Sie können eine spezifische RA bzw. Deklination eingeben und darauf schwenken.

Hinweis– Um ein Koordinatenpaar (RA/DEK) dauerhaft in der Datenbank zu speichern, kann es als benutzerdefiniertes Objekt, wie oben beschrieben, gespeichert werden.

Identifizieren

Der Identifizierungsmodus durchsucht einen beliebigen Datenbankkatalog der Montierung bzw. Name und Offset-Distanzen des nächsten passenden Objekts werden aufgelistet und angezeigt. Diese Funktion kann zwei Zwecke erfüllen: Erstens kann sie zur Identifikation eines unbekanntes Objekts im Sichtfeld Ihres Okulars verwendet werden. Außerdem kann der Identifizierungsmodus zur Lokalisierung anderer Himmelsobjekte, die dicht an den gegenwärtig von Ihnen beobachteten Objekten liegen, verwendet werden. Wenn Ihr Teleskop z. B. auf den hellsten Stern im Sternbild Lyra gerichtet ist, können Sie die Identifizierung wählen. Daraufhin wird der Katalog der benannten Sterne zweifelsohne den Stern Vega als den von Ihnen beobachtete Stern angeben. Wenn Sie Identifizieren wählen und in den Katalogen nach benannten Objekte bzw. im Messier-Katalog suchen, weist Sie die Handsteuerung darauf hin, dass sich der Ringnebel (M57) ca. 6° von Ihrer aktuellen Position befindet. Eine Durchsuchung des Doppelsternkatalogs ergibt, dass sich Epsilon Lyrae nur 1° von Vega entfernt befindet.

Die Identifizierungsfunktion verwenden:

- Auf die Menütaste drücken und die Option Identifizieren auswählen.
- Die Aufwärts-/Abwärts-Scrolltasten verwenden, um den Katalog, in dem gesucht werden soll, auszuwählen.
- Drücken Sie auf ENTER, um mit der Suche zu beginnen.

HINWEIS: Manche Datenbanken umfassen Tausende von Objekten, und daher kann es einige Minuten dauern, bis das nächstliegende Objekt aufgerufen wird.

Präzises GoTo

Die Montierung verfügt über eine GoTo-Funktion zum präzisen Annähern, die beim Auffinden extrem lichtschwacher Objekte sowie bei der Objekt-Zentrierung im Sichtfeld für die Astrofotografie behilflich ist. Diese GoTo-Funktion sucht automatisch nach dem hellen Stern, der dem gewünschten Objekt am nächsten liegt, und fordert den Benutzer dazu auf, den Stern sorgfältig im Objektiv zu zentrieren. Die Handsteuerung berechnet nun die kleine Differenz zwischen der GoTo-Position und der zentrierten Position. Aufgrund dieser Aufrechnung schwenkt die Montierung nun mit erhöhter Genauigkeit auf das gewünschte Objekt.

Das präzise GoTo verwenden:

1. Drücken Sie die MENÜ-Taste und wählen Sie mithilfe der Aufwärts- und Abwärts-Tasten das „Präzises GoTo“ aus.
 - Wählen Sie Datenbank, wenn Sie das Objekt, das Sie betrachten möchten, aus einer Datenbankkatalogauslistung auswählen möchten oder;
 - Wählen Sie RA/DEK, um ein Himmelskoordinatenpaar einzugeben, auf das zugeschwenkt werden soll.
2. Sobald das gewünschte Objekt ausgewählt ist, wird der Ihrem gewünschten Objekt am nächsten liegende helle Stern von der Handsteuerung gesucht und angezeigt. Drücken Sie auf ENTER, um zum hellen Ausrichtungstern zu schwenken.
3. Verwenden Sie die Richtungstasten, um den Ausrichtungstern sorgfältig im Okular zu zentrieren.
4. Drücken Sie auf ENTER, um auf das gewünschte Objekt zu schwenken.

Anhang A: Firmware-Upgrade der Montierung und Handsteuerung

Zur Überprüfung von Firmware-Updates siehe bitte diese URL: <http://software.celestron.com/updates/CFM/CFM/>

1. Schließen Sie die mitgelieferte NexStar + Handsteuerung an einen der Aux-Anschlüsse an
2. Ein Standard-USB-A-Typ-Kabel an die Montierung und den PC anschließen.
3. Die CGX an die Stromversorgung anschließen und einschalten.
4. Den Celestron Firmware Manager (CFM) öffnen.
5. Der CFM überprüft Ihre Hardware und sucht nach Updates. Der CFM bestimmt automatisch, welche Komponenten eine Aktualisierung benötigen.
6. Klicken Sie im CFM auf "Update" und erlauben Sie das Fertigstellen.

Anhang B: Pflege und Instandhaltung

Die CGX-Montierung ist robust und wird Ihnen bei richtiger Pflege Jahre Freude bereiten.

Lagerung

Obwohl die Montierung sowie die Elektronik für den Einsatz im Freien entworfen wurde, sollte die Montierung nicht im Freien gelagert werden, es sei denn sie ist durch ein überdachtes Observatorium oder beispielsweise eine Garage geschützt. Wird die Montierung dauerhaft Hitze, Kälte und Feuchtigkeit ausgesetzt, können Elektronik, mechanische Schmierung und Oberflächenqualität letztlich Schaden nehmen. An einem überdachten, sonnengeschützten Ort lagern. Möglichst an einem trockenen Platz aufbewahren.

ZWEIJÄHRIGE EINGESCHRÄNKTE GARANTIE VON CELESTRON

A. Celestron garantiert, dass Ihre Teleskop-Montierung für zwei Jahre frei von Material- und Verarbeitungsfehlern ist. Celestron wird ein solches Produkt oder Teile davon, wenn nach Inspektion durch Celestron ein Defekt an Material oder Verarbeitung gefunden wurde, reparieren oder austauschen. Die Verpflichtung von Celestron, ein solches Produkt zu reparieren oder auszutauschen, unterliegt der Bedingungen, dass das Produkt zusammen mit einem für Celestron zufriedenstellenden Kaufbeleg an Celestron zurückgesendet wird.

B. Die korrekte Rücksende-Autorisationsnummer muss zuvor von Celestron angefordert werden. Rufen Sie Celestron unter (310) 328-9560 an, um die Nummer, die auf der Außenseite Ihres Versandcontainers aufgebracht ist, zu erhalten.

Alle Rücksendungen müssen eine schriftliche Erklärung enthalten, aus der der Name, die Adresse und die Telefonnummer des Eigentümers, zu der er tagsüber erreichbar ist, zusammen mit einer kurzen Beschreibung aller beanstandeten Defekte, hervorgeht. Ausgetauschte Teile oder Produkte werden Eigentum von Celestron.

Der Kunde ist für alle Kosten für Versand und Versicherung zu und vom Celestron-Werk verantwortlich und muss diese Kosten im Voraus begleichen.

Celestron muss vernünftige Maßnahmen ergreifen, um jede Teleskopmontierung unter dieser Garantie innerhalb von 30 Tagen nach Erhalt zu reparieren oder auszutauschen. Für den Fall, dass Reparatur oder Austausch mehr als dreißig Tage in Anspruch nimmt, muss Celestron den Kunden entsprechen in Kenntnis setzen. Celestron behält sich das Recht vor, ein Produkt, das aus der Produktlinie ausgeschieden ist, durch ein neues oder in Wert und Funktion vergleichbares Produkt zu ersetzen.

Diese Garantie erlischt und wird außer Kraft gesetzt, für den Fall, dass ein Produkt unter der Garantie in Design oder Funktion modifiziert wurde oder Missbrauch, unsachgemäße Handhabung oder unautorisierte Reparatur unterzogen wurde. Des Weiteren sind Produktfehlfunktionen oder Wertminderung aufgrund von normalem Verschleiß von dieser Garantie nicht abgedeckt.

CELESTRON LEHNT JEGLICHE GEWÄHRLEISTUNG, OB AUSDRÜCKLICH ODER STILLSCHWEIGEND, OB DER MARKTGÄNGIGKEIT ODER DER EIGNUNG FÜR EINEN BESTIMMTEN ZWECK, AUSSER DEM HIERIN GENANNTEN, AB. DIE ALLEINIGE VERPFLICHTUNG VON CELESTRON UNTER DIESER EINGESCHRÄNKTEN GARANTIE BESTEHT DARIN, DAS DURCH DIE GARANTIE ABGEDECKTE PRODUKT IN ÜBEREINSTIMMUNG MIT DEN HIERIN FESTGEHALTENEN BEDINGUNGEN ZU REPARIEREN ODER AUSZUTAUSSCHEN. CELESTRON LEHNT AUSDRÜCKLICH JEGLICHE HAFTUNG FÜR ENTGANGENE PROFITE, ALLGEMEINE, SPEZIELLE, INDIREKTE ODER FOLGESCHÄDEN AB, DIE SICH AUS EINER GARANTIEVERLETZUNG ERGEBEN KÖNNTEN ODER DIE DURCH NUTZUNG BZW. UNFÄHIGKEIT ZUR NUTZUNG JEGLICHEN CELESTRON-PRODUKTS ERGEBEN. JEGLICHE STILLSCHWEIGENDE ODER NICHT BEANSPRUCHBARE GEWÄHRLEISTUNGEN IST ZEITLICH AUF ZWEI JAHRE AB DATUM DES URSPRÜNGLICHEN KAUFES BESCHRÄNKT.

Einige Staaten erlauben keinen Ausschluss oder keine Beschränkung von zufälligen oder Folgeschäden sowie keine zeitliche Begrenzung einer stillschweigenden Garantie; daher könnten die oben genannten Beschränkungen und Ausschlüsse auf Sie nicht zutreffen.

Diese Garantie gibt Ihnen bestimmte Rechte und darüber hinaus könnten Sie auch weitere Rechte haben, die von Land zu Land variieren.

Celestron behält sich das Recht vor, jegliches Modell und jeglichen Teleskoptyp zu modifizieren oder aus der Produktlinie auszuschließen, ohne Ihnen dies vorher anzukündigen.

Wenn ein Garantiefall eintritt oder wenn Sie Hilfestellung bei der Verwendung Ihrer Teleskopmontierung benötigen, wenden Sie sich bitte an:

Celestron
Kundendienstabteilung
2835 Columbia Street
Torrance, CA 90503
Tel.: 800.421.9649
Montag – Freitag 8.00 – 16.00 PST (pazifische Zeitzone)

HINWEIS: Diese Garantie ist für Kunden in den USA und Kanada gültig, die dieses Produkt von einem autorisierten Celestron-Händler in den USA oder Kanada gekauft haben. Eine Garantie außerhalb der USA und Kanada gilt nur für Kunden, die bei einem internationalen Celestron-Vertrieb oder einem autorisierten Celestron-Händler im jeweiligen Land eingekauft haben. Bitte wenden Sie sich für jeden Garantieservice an diese Ansprechpartner.



FCC Hinweis: Dieses Gerät wurde getestet und entspricht den Grenzwerten für digitale Geräte der Klasse B in Übereinstimmung mit Artikel 15 der FCC-Bestimmungen. Diese Grenzwerte bieten einen angemessenen Schutz vor Störungen in Wohnanlagen. Dieses Gerät erzeugt, verwendet und strahlt Hochfrequenzenergie aus und kann den Funkverkehr stören, wenn es nicht gemäß den Anweisungen installiert und verwendet wird. Es kann jedoch nicht garantiert werden, dass in einer bestimmten Einrichtung keine Störungen auftreten. Falls dieses Gerät Störungen des Radio- oder Fernsehempfangs verursacht, was durch ein vorübergehendes Ausschalten des Geräts festgestellt werden kann, wird der Benutzer dazu angehalten, die Störung durch eine oder mehrere der nachstehenden Maßnahmen zu beheben:

- Die Ausrichtung der Empfangsantenne ändern.
- Die Distanz zwischen dem Gerät und dem Empfänger vergrößern.
- Anschluss des Geräts an eine Steckdose, die nicht am selben Stromkreis angeschlossen ist, wie die des Empfängers.
- Fragen Sie den Händler oder einen erfahrenen Radio-/Fernsehtechniker um Hilfe.

Produktdesign und technische Daten können ohne Vorankündigung geändert werden.

Dieses Produkt wurde für die Verwendung durch Personen von 14 Jahren und darüber entworfen und vorgesehen.

www.celestron.com
2835 Columbia Street • Torrance, CA 90503 U.S.A.
Telefon: 800.421.9649
©2017 Celestron • Alle Rechte vorbehalten.





CGX

TELESCOPIOS DE GAMA DE SOPORTE ECUATORIAL ALEMÁN

MANUAL DE INSTRUCCIONES

Modelo #91530-1

ÍNDICE

Introducción	5
Requisitos del Sistema	5
Lista de Piezas	5
Descripción	6
Montaje	8
Uso Básico	10
Alineación Polar del Soporte	11
Alineación Polar Precisa	12
Alcance de Movimiento del Soporte	12
Ajuste del Soporte para Latitudes muy Altas o Bajas	13
Puerto USB	13
Puertos AUX	13
Puerto Autoguide	13
Mando Manual NexStar+	14
Catálogo de Objetos	18
Desplazarse a un Objeto	18
Apéndice A: Actualización del Firmware del Soporte y el Mando Manual	24
Apéndice B: Cuidados y Mantenimiento	25
Garantía Limitada por Dos Años de Celestron	26

Introducción



⚠ Advertencia

- No mire nunca directamente al sol con los ojos descubiertos o un telescopio (a menos que tenga un filtro solar adecuado). Puede producir daños oculares permanentes e irreversibles.
- No use nunca su telescopio para proyectar una imagen del Sol sobre ninguna superficie. La acumulación interna de calor puede dañar el telescopio y cualquier accesorio que tenga instalado.
- No use nunca un filtro solar de ocular ni una cuña Herschel. La acumulación interna de calor en el telescopio puede hacer que los dispositivos se agrieten o rompan, permitiendo pasar la luz solar sin filtrar hasta el ojo.
- No deje nunca el telescopio sin supervisión. Asegúrese de que un adulto familiarizado con los procedimientos de uso adecuados esté con el telescopio en todo momento, especialmente en presencia de niños.

Requisitos del Sistema

- El CGX precisa de 12 voltios de alimentación CC co al menos 4 amperios de corriente. Dispone de una alimentación CA a 12VCC 5A de Celestron e incluye un conector de cañón estriado que se recomienda. Las baterías portátiles de 12 voltios también son alimentaciones adecuadas. El soporte incluye un cable de alimentación CC con una toma para el encendedor.
- El telescopio debe disponer de una barra de montaje machihembrada que tenga formato CG-5/Vixen o CGE/Losmandy D. El CGX puede adaptarse a ambos tamaños de soporte machihembrado.
- Para obtener el mejor rendimiento, la carga total del telescopio no debe exceder 55 lbs (25 kg), sin contar contrapesos.
- Windows 7/10 para usar el software de control del telescopio.
- Cable USB con conector A estándar conectado al puerto USB del soporte (solo para uso con PC).
- Destornillador de cabezal Phillips (opcional, solo para ajuste de engranaje).

Lista de Piezas

Caja 1: Soporte ecuatorial 91530-1 CGX

Cabezal de soporte ecuatorial CGX

Llave allen de 8mm (encerrada en el mango posterior del soporte) Eje de contrapeso y rosca de retención

3 x tornillos de cabezal hexagonal de 8mm (fijan el cabezal al trípode)

Cable de alimentación 12VCC

Mando manual NexStar+

Caja 2: Trípode CGX y contrapesos

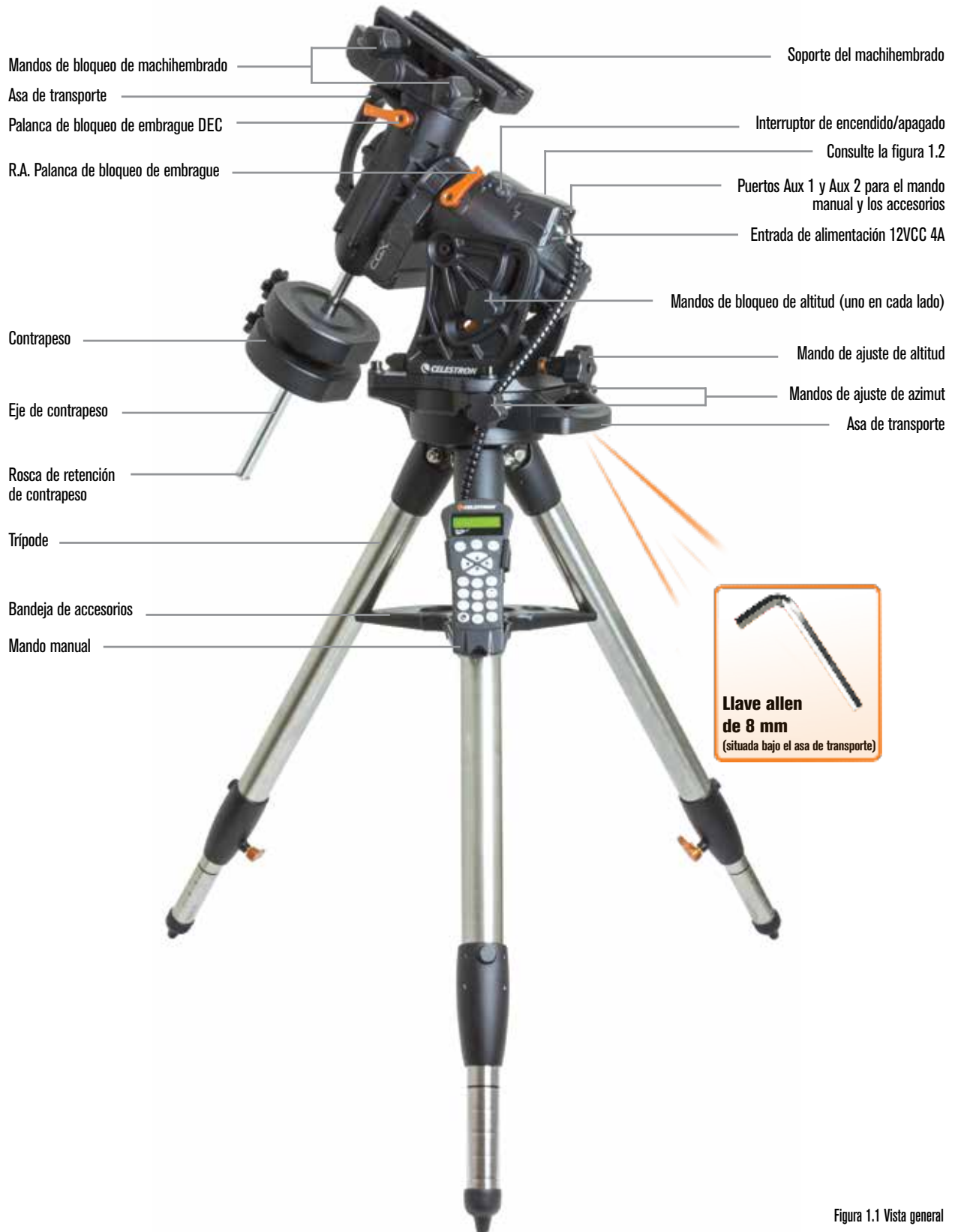
Trípode

2 x contrapesos de 5 kg (11 lbs.)

Bandeja de accesorios

Mando y arandela de bandeja (enroscada en la columna central del trípode)

Descripción





Montaje

Desembale el contenido y siga estos pasos para montar el soporte. Si ha adquirido el CGX solamente, el trípode incluirá dos contrapesos de 11 lbs (5 kg). Si ha adquirido el CGX con un tubo óptico grande, pueden incluirse más contrapesos para lograr el equilibrio.

Nota: La llave allen de 8 mm incluida se encuentra bajo el mango posterior como se indica en la Figura 1.1.

Instalación del trípode

1. Ponga derecho el trípode y separe las patas hasta que cada pata quede totalmente extendida.
2. Retire la rosca de apoyo del trípode y la arandela de la columna central instalada en la parte superior del trípode (Figura 2.1 y 2.2).
3. Coloque la bandeja de accesorios sobre la columna central de forma que cada uno de los tres brazos de la bandeja soporte una pata del trípode.
4. Vuelva a colocar la rosca y la arandela sobre la columna estriada y apriételas firmemente en posición. La bandeja de accesorios no debería poder moverse en el trípode (Figura 2.1 y 2.2).
5. Ajuste la altura del trípode aflojando los mandos de bloqueo del extremo de cada pata del trípode. Ajuste la altura de la pata según sea necesario y vuelva a apretar los mandos de bloqueo, una pata cada vez. Tenga en cuenta que las marcas de índice de la pata pueden usarse para nivelar con facilidad el trípode.



Figura 2.1 Instalación del trípode



Figura 2.2 Instalación del trípode

Instalación del soporte en el trípode

1. Coloque el cabezal sobre el trípode de forma que se asiente con seguridad en la superficie coincidente.
2. Para obtener la mejor estabilidad posible, oriente el soporte de forma que el eje de contrapeso esté directamente sobre una pata del trípode como se muestra en las Figuras 1.1 y 1.2. Observe que puede orientar el soporte de forma que el eje de contrapeso quede entre dos de las patas del trípode, lo que puede ser útil en latitudes bajas, permitiendo que los contrapesos tengan más espacio respecto al trípode.
3. Usando la llave allen de 8mm incluida (Figura 3), apriete los 3 pernos de fijación del soporte.



Figura 3 Fijación del soporte al trípode

Alineación polar aproximada del soporte

Antes de añadir más peso al soporte y el trípode, coloque de forma aproximada el soporte, de forma que esté orientado al norte (o al sur si está en el hemisferio sur) y póngalo en su latitud. Afloje los dos mandos de bloqueo de altitud y gire el mando de ajuste de altitud (Figura 1.1) hasta que esté aproximadamente en su latitud, indicada en la escala de latitud (Figura 1.2), y vuelva a fijar los mandos de bloqueo de altitud. La escala solamente está pensada para alineación polar aproximada. Puede obtener una alineación polar más precisa más tarde con ayuda del mando manual informatizado.

Añadir contrapesos

Retire la rosca de retención del extremo del eje de contrapeso, añada los contrapesos, y vuelva a colocar la rosca de retención. Mantenga el eje de contrapeso orientado hacia abajo (Figura 1.1).

Instalación del telescopio en el soporte

1. Asegúrese de haber fijado las palancas de embrague R.A. y DEC.
2. Afloje los mandos de fijación del soporte del machihembrado lo suficiente para permitir que el machihembrado entre en el soporte. Tenga en cuenta que la flecha debe estar orientada hacia el mismo lado que el mango anterior (Figura 4).
3. Deslice la barra del machihembrado en el soporte del machihembrado del soporte. Fije el telescopio en posición con los dos mandos de bloqueo (Figura 5).

El CGX encaja en el machihembrado grande de tipo CGE de Celestron y el machihembrado más pequeño de estilo CG-5, también habitual en los machihembrados Losmandy D¹ y de estilo Vixen².

- ¹ Pruebe el encaje de su machihembrado Losmandy antes de fijar el telescopio al soporte. Los tamaños y ángulos de machihembrado pueden variar según el fabricante.
- ² Pruebe el encaje de su machihembrado Vixen antes de fijar el telescopio al soporte. Tenga en cuenta que algunos de los machihembrados de estilo Vixen no son planos, y tienen distintas alturas a lo largo de la barra. Según la longitud de la parte plana, puede afectar al encaje en el soporte del machihembrado del soporte.



Figura 4 Fijación del soporte al trípode



Figura 5 Machihembrado del telescopio asegurado en posición

Equilibrado del soporte

Eje de ascensión derecha: Suelte cuidadosamente la palanca de embrague R.A. y coloque el eje de contrapeso de forma que quede horizontal. Sin soltar el telescopio, compruebe el lado que favorece el equilibrio. Deslice el contrapeso según sea necesario de forma que el eje R.A. no se mueva cuando el embrague esté desbloqueado.

Eje de declinación: Con el eje de contrapeso aún horizontal, suelte cuidadosamente la palanca de embrague para DEC y compruebe el lado hacia el que está equilibrado el tubo óptico (Figura 6). Deslice el tubo óptico hacia adelante o atrás según sea necesario para lograr el equilibrio. Para telescopios grandes y pesados, devuelva el telescopio a la posición de inicio antes de aflojar los mandos de bloqueo del soporte del machihembrado.



Figura 6 Equilibrado del soporte

Instalación del soporte del mando manual

Enrolle la correa con gancho y la funda alrededor de la para del trípode y coloque el mando manual en la funda.

Conexión del mando manual

Conecte el mando manual NexStar+ incluido a uno de los puertos Aux.

⚠ Atención: No conecte el mando manual al puerto Autoguide. Podría dañar el soporte o el mando manual. Igualmente, no conecte un cable Autoguide al puerto Aux o podría causar daños.

Posición inicial

El soporte está en la posición "inicio" cuando el eje de contrapeso esté orientado hacia abajo, y el telescopio apunte a lo largo del eje polar del soporte como se indica en la (Figura 7). Los interruptores internos del soporte llevarán el soporte a su posición inicial cuando lo encienda (para más información, consulte "Uso básico"), pero aún podrá posicionarlo manualmente antes de encender el soporte. Solamente tiene que desbloquear las dos palancas de bloqueo.



Figura 7 Telescopio en posición inicial

Uso Básico

Con el soporte montado y con alineación polar, proceda a encender el soporte:

Alimentación del soporte

El soporte CGX puede alimentarse con el adaptador para batería de coche incluido con una fuente de batería de 12VCC que pueda entregar al menos 4 amperios de corriente. Puede usar un adaptador CA opcional que entrega 12VCC y 4 amperios de corriente. Los adaptadores de alimentación CA con conectores de cañón estriado están disponibles en Celestron.

Posición inicial e información de ubicación

1. Conecte el mando manual NexStar+ incluido a uno de los puertos Aux. Puede conectar a Aux 1 o Aux 2.
2. Conecte el cable de alimentación al puerto de alimentación del soporte. Asegúrese de fijar el cable de alimentación con el conector de cañón estriado.
3. Encienda el interruptor.
4. Cuando el mando manual muestre "CGX Ready", pulse dos veces INTRO. El soporte procederá a mover a la posición de conmutación inicial.
5. Seleccione Base de datos de ciudades o Ubicación personalizada.
 - En la base de datos de ciudades, seleccione la ciudad más cercana a su ubicación.
 - Si elige ubicación personalizada, deberá introducir la longitud, latitud y zona horaria de su ubicación.
6. Cuando seleccione la ubicación, proceda a introducir la fecha y hora. El CGX tiene un reloj en tiempo real (RTC) que guarda la información de fecha, hora y ubicación para la próxima vez que use el soporte.

Alineación

Requisito previo: El soporte debe alinearse de forma aproximada polar, con la información de fecha, hora y ubicación introducida correctamente como se indica antes de este paso.

1. Para obtener los mejores resultados de alineación posibles, elija Alineación con dos estrellas y pulse INTRO.

También puede elegir entre Sistema Solar, Una estrella, Última Alineación, o Alineación rápida. Los botones de desplazamiento 6 y 9 del teclado se usan para desplazarse por cualquier selección de la lista en el mando manual.

2. Seleccione la primera estrella de la lista de estrellas con nombre. Use los botones de desplazamiento 6 (arriba) y 9 (abajo) del teclado para moverse por los nombres de estrellas. Son las estrellas más brillantes y más fáciles de localizar. Pulse INTRO cuando haya elegido una estrella adecuada. Si el soporte tiene como mínimo alineación polar aproximada, se desplazará hasta la ubicación aproximada de la estrella.

La selección de estrellas por defecto está en el lado oeste del meridiano. Si hacia el oeste el firmamento está obstruido o desea elegir estrellas del lado este del meridiano, pulse el botón MENÚ del teclado.

3. Usando las teclas de dirección, desplace el telescopio a la estrella con nombre seleccionada y céntrala en el localizador del telescopio y pulse INTRO.

El soporte ajustará automáticamente la velocidad del motor para un centrado preciso.

4. Usando las teclas de dirección, centre la estrella en el ocular del telescopio y pulse ALINEAR.
5. Seleccione una segunda estrella de la lista repita los pasos 2-4 del proceso. Cuando se solicite añadir una estrella de calibración, pulse pulsar ATRÁS para completar la alineación o, para obtener el mejor resultado posible, proceder a añadir una estrella de calibración.

Para obtener el mejor resultado posible, añada al menos una estrella de calibración. Mejorará la precisión de apuntado del soporte.

6. Cuando se solicite "Añadir estrella de calibración", elija una estrella de la lista y pulse INTRO. El soporte se desplazará al otro lado del meridiano para añadir una estrella de calibración.
7. Centre y alinee la estrella como lo ha hecho con las dos primeras estrellas de alineación: Céntrala en el localizador, pulse INTRO, centre la estrella en el ocular, y pulse ALINEAR.
8. Cuando se solicite añadir otra estrella de calibración puede seguir añadiendo más o pulsar ATRÁS para finalizar la alineación.

Selección de objetos

Seleccione desde la base de datos de objetos categorizada por Sistema Solar, estrellas o espacio profundo. En estos menús (con los números del teclado 1, 2 y 3) puede seleccionar por nombre de objeto o número de catálogo popular (como M42 para Messier 42).

El 6 y 9 del teclado (arriba y abajo) permiten moverse por cualquier lista del mando manual. Pulse INTRO para ir al objeto seleccionado de la lista.

Ejemplo de selección y desplazamiento al objeto de espacio profundo Messier M42.

- Pulse ESPACIO PROFUNDO y a continuación INTRO
- Desplácese hacia abajo (9 en el teclado) hasta Messier y pulse INTRO
- Pulse "0-4-2" en el teclado y pulse INTRO

Skytour (5 en el teclado) es una forma excelente de explorar el firmamento sin consultar un mapa celeste. La función Tour generará una lista de los objetos más interesantes que puede observar según su hora y ubicación.

Alineación Polar del Soporte

El navegador informatizado puede localizar objetos aunque el soporte no tenga una alineación polar perfecta. Sin embargo, la alineación polar es necesaria para obtener la mayor precisión en el seguimiento del soporte. Es esencial para la fotografía astronómica. Cuando tenga alineación polar, un soporte ecuatorial sigue el firmamento en un movimiento, manteniendo el objeto centrado en el ocular o la cámara.

El sistema de alineación polar CGX consiste en un regulador de alitud y un regulador de azimut (Figura 8).

Celestron ofrece un catalejo de alineación polar opcional que se fija al soporte. El catalejo de eje polar opcional no pasa por el eje R.A. porque dicha área se utiliza para cableado interno. Si no usa el catalejo de alineación polar opcional, puede obtener una alineación polar aproximada observando por el localizador del telescopio, y ajustando el soporte hasta centrar la estrella polar en el ocular del telescopio. Hacerlo le llevará a aproximadamente tres cuartos de grado del Polo Norte Celeste (NCP).

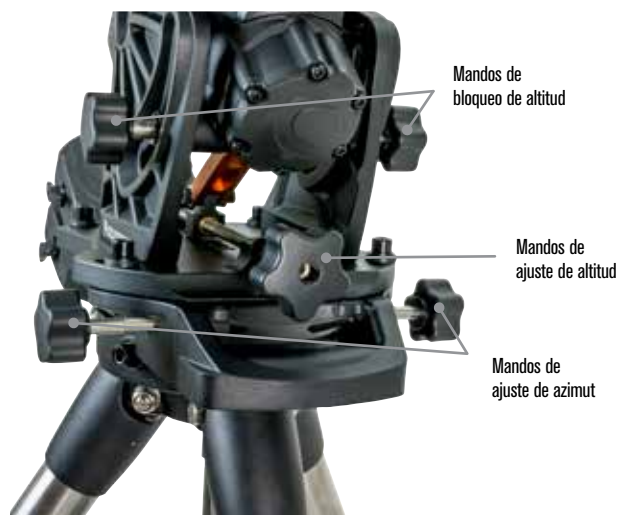


Figura 8 Regulación de alineación polar

Alineación Polar Precisa

La alineación polar de todas las estrellas de Celestron le permite alinear con el polo de forma precisa el soporte sin usar la estrella polar o un localizador de eje polar. La alineación polar con asistencia por software permite elegir una estrella adecuada.

Requisito previo: Debe alinearse el CGX con alineación de dos estrellas, una estrella, o el Sistema Solar.

1. Seleccione una estrella brillante adecuada en la base de datos del mando manual NexStar. Desplace el telescopio hasta la estrella.
2. Pulse el botón Alinear. Seleccione "Alineación polar" y "Alinear soporte" en la lista.
3. El telescopio volverá a desplazarse a la estrella de alineación y solicitará que la centre en el ocular para "sincronizar" con la estrella.
4. Pulse Alinear y el telescopio se desplazará hasta la posición en la que se encontraría la estrella si tuviera una alineación polar precisa.
5. Use los ajustes de altitud y azimut del soporte para colocar la estrella en el centro del ocular. No use los botones de dirección del mando manual para centrar la estrella.
6. Pulse Intro. La alineación polar ha terminado.

Alcance de Movimiento del Soporte

Alcance de software

El CGX usa sensores de límite controlados por software que detectan si el soporte ha llegado cerca de su límite de alcance mecánico. Cuando el soporte llega al conmutador, el motor se ralentizará hasta detenerse y se mostrará un mensaje de advertencia de "Conmutador de límite". El soporte dejará de desplazarse en la dirección del conmutador de límite hasta que invierta la dirección.

Alcance mecánico

El CGX usa cableado interno, por lo que el soporte ha sido diseñado para no moverse más allá de cierto recorrido. Ambos ejes están limitados por una retención integrada en el soporte. Este alcance limitado también ayuda a evitar interferir accidentalmente entre el telescopio y el soporte o trípode. Si, por cualquier motivo, el soporte supera el conmutador de límite de software (o si se desbloquea el embrague y se mueve manualmente el soporte), el soporte se detendrá en la retención.

El límite R.A. (Figura 9.1) permite seguir 20° más allá del meridiano. Si deja el soporte sin supervisión durante el seguimiento, se detendrá automáticamente antes de llegar a la retención mecánica.

El límite DEC (Figura 9.2) contiene el suficiente alcance de desplazamiento para llegar a cualquier sección del firmamento.



Figura 9.1 Un lado del límite mecánico R.A.



Figura 9.2 Un lado del límite mecánico DEC

Ajuste del Soporte Para Latitudes Muy Altas O Bajas

El cabezal EQ puede colocarse sobre el trípode en tres posiciones distintas. Estas tres posiciones pueden usarse también para optimizar el equilibrio sobre el trípode. El soporte se entrega en posición central, que es útil para latitudes entre 20-55°. Si desea usar el soporte en latitudes inferiores a 20°, mueva el soporte hacia adelante; si desea usarlo por encima de 55°, mueva el soporte hacia atrás.

1. Retire el cabezal del trípode retirando los 3 tornillos.
2. Retire cuidadosamente los 8 tornillos situados bajo el cabezal. Cuando se hayan extraído, el mecanismo de regulación de altitud será lo único que asegure la placa inferior del cabezal EQ.
3. Gire el mando de regulación de altitud hasta que los agujeros estriados de la parte inferior del soporte se alineen con el nuevo grupo de agujeros en la placa inferior. Mueva la placa hacia adelante (en dirección al lado del eje de contrapeso) si desea usarlo en latitudes más bajas. Mueva la placa hacia atrás (en dirección al mando de regulación de altitud) si desea usarlo en latitudes más altas (Figura 10).

Puerto USB

El puerto USB del CGX se usa como interfaz con su PC *solamente* para:

1. Usarlo con el software de control del telescopio dedicado.
2. Actualizar el firmware del control del motor en el soporte.

Conecte un cable estándar USB de tipo A al puerto USB del soporte, y conéctelo al PC. El soporte debería instalarse automáticamente.

El puerto USB del soporte no está pensado para usarse con ASCOM ni software de control de telescopios de terceros. Para controlar el soporte con ASCOM, conecte el PC al puerto mini USB del mando manual NexStar+.

Puertos Aux

Aux 1 y Aux 2 pueden usarse para el mando manual NexStar+, así como accesorios opcionales, como StarSense AutoAlign y el módulo WiFi SkyPortal.

Puerto Autoguide

El puerto Autoguide *solamente* debe usarse para relés de cámara con autoguide.

PRECAUCIÓN: No conecte nunca el mando manual NexStar+ ni otros accesorios al puerto Autoguide. Podría causar daños.



POSICIÓN CENTRAL



POSICIÓN HACIA ATRÁS



POSICIÓN HACIA ADELANTE

Figura 10 Cambio de la posición del soporte sobre el cabezal del trípode

Mando Manual NexStar+

- Ventana de pantalla de cristal líquido (LCD):** Iluminación roja para un visionado cómodo por la noche de la información y textos del telescopio. Retire la película protectora de la pantalla antes del uso.
- Alinear:** Indica al telescopio que inicie el proceso de alineación por defecto. También se usa para seleccionar una estrella u objeto como posición de alineación.
- Teclas de dirección:** Permite un control total del telescopio en cualquier dirección. Use las teclas de dirección para centrar objetos en el ocular o desplazar manualmente el telescopio.
- Teclas de catálogo:** Permite el acceso directo a cada uno de los catálogos principales de la base de datos de miles de objetos.

Su telescopio contiene los catálogos siguientes en su base de datos:

- **Sistema Solar-** Los 7 planetas de nuestro Sistema Solar más la Luna, el Sol y Plutón.
 - **Estrellas-** Listas personalizadas de las estrellas más brillantes, estrellas dobles, estrellas variables, constelaciones y asterismos.
 - **Espacio profundo-** Listas personalizadas de las mejores galaxias, Nebulosas y Clústeres, así como el Messier completo y objetos NGC seleccionados.
- Identificar:** Busca en la base de datos de su telescopio y muestra el nombre y distancias de desvío a los objetos coincidentes más cercanos.
 - Menú:** Muestra las funciones de configuración y utilidades, como la velocidad de seguimiento, objetos definidos por el usuario y otros.
 - Opciones (Logotipo de Celestron):** Funciona de forma parecida a la tecla SHIFT de un teclado y puede usarse junto con otras teclas para acceder a funciones más avanzadas y a funciones que se añadirán con futuras actualizaciones del firmware.
 - Intro:** Pulsar INTRO le permite seleccionar cualquiera de las funciones de su telescopio, aceptar los parámetros introducidos y desplazar el telescopio a objetos mostrados.
 - Atrás:** Pulsando ATRÁS saldrá del menú actual y mostrará el nivel anterior de la ruta del menú. Pulsar ATRÁS repetidamente volverá a un menú principal o puede usarse para borrar datos introducidos por error.
 - Sky Tour:** Activa el modo ruta, que busca los mejores objetos del firmamento y desplaza automáticamente su telescopio a dichos objetos.
 - Teclas de desplazamiento:** Se utilizan para desplazarse ARRIBA y ABAJO con cualquiera de las listas del menú. Un símbolo de doble flecha en el lado derecho de la pantalla LCD indica que las teclas de desplazamiento pueden usarse para ver información adicional. Los botones están en ángulo para localizarlos más fácilmente sin mirar.



Figura 11



Figura 11,2

- Velocidad del motor:** Similar al botón Velocidad del mando manual NexStar original, le permite cambiar la velocidad del motor cuando se pulsan las teclas de dirección.
- Información de objeto:** Muestra coordenadas e información valiosa de objetos seleccionados en la base de datos del telescopio.
- Puerto mini USB (cable no incluido):** Conecta al PC para controlar el telescopio con un sobremesa o realizar actualizaciones de firmware.
- Menú de ayuda:** En futuras actualizaciones de firmware, este botón ofrecerá recomendaciones de solución de problemas. Para su comodidad, funciona actualmente como acceso directo al catálogo Messier.

Seleccionar un objeto

Cuando el telescopio esté correctamente alineado, puede elegir un objeto de cualquiera de los catálogos de la base de datos del mando manual NexStar+. El mando manual tiene una tecla designada para cada categoría de objetos de su base de datos; objetos del sistema solar, estrellas y objetos del espacio profundo.

- **Sistema solar** – El catálogo del sistema solar mostrará todos los planetas (y la Luna) de nuestro sistema solar actualmente visibles en el firmamento. Para permitir mostrar el Sol como opción en la base de datos, consulte la opción Permitir Sol en la sección Configuración de base de datos del manual.
- **Estrellas** – El catálogo de estrellas muestra listas personalizadas de las estrellas, estrellas dobles (binarias), estrellas variables, constelaciones y asterismos seleccionados más brillantes.
- **Espacio profundo** – El catálogo Espacio profundo muestra una lista de las mejores galaxias, nebulosas y cúmulos, así como el Messier completo y una selección de objetos NGC. También dispone de una lista alfabética de los objetos del espacio profundo en orden por su nombre común.

Use las teclas de DESPLAZAMIENTO para moverse por los catálogos para localizar el objeto que quiera observar. Cuando se desplace por una lista larga de objetos, mantenga pulsada la tecla ARRIBA o ABAJO para desplazarse por el catálogo rápidamente.

Desplazarse a un objeto

Una vez se muestre el objeto deseado en la pantalla del mando manual, dispone de dos opciones:

- Pulse la tecla INFORMACIÓN DE OBJETO. Le ofrecerá información útil sobre el objeto seleccionado, como magnitud, constelación e información extendida sobre los objetos más populares.
 - Use los botones de flecha ARRIBA/ABAJO para moverse por la información del objeto mostrada.
 - Use el botón ATRÁS para volver a la base de datos de objetos.
- **Pulse la tecla INTRO.** Desplazará automáticamente el telescopio a las coordenadas del objeto mostrado en el mando manual. Mientras el telescopio se desplaza al objeto, el usuario puede acceder a muchas de las funciones del mando manual (como mostrar información sobre el objeto).

NOTA: Los catálogos Messier, NGC y SAO necesitan del uso de una designación numérica. Cuando haya seleccionado el botón del catálogo correspondiente y seleccionado el catálogo Messier, NGC o SAO, verá un cursor parpadeante que indica que está en modo de introducción numérica.

Introduzca el número del catálogo para el objeto que desea ver. Pulse INTRO para ordenar al telescopio que se desplace al objeto, o mantenga pulsado el botón OPCIÓN (el logo Celestron) y pulse INFORMACIÓN DE OBJETO para ver información sobre el objeto que ha seleccionado.

PRECAUCIÓN: No desplace nunca el telescopio cuando alguien esté mirando por el ocular. El telescopio puede moverse a velocidades elevadas y golpear al usuario en el ojo.

Botón de velocidad del motor

El botón VELOCIDAD DE MOTOR, parecido al botón Velocidad del mando manual NexStar original, le permite cambiar instantáneamente la velocidad de los motores, de una velocidad de desplazamiento rápida a una velocidad de orientación precisa, o cualquier velocidad intermedia. Cada velocidad se corresponde con un número en el teclado del mando manual. El botón de número 9 es la velocidad más rápida (aproximadamente 3,5° por segundo, según el soporte) y se usa para desplazarse entre objetos y localizar estrellas de alineación. El botón número 1 del mando manual es la velocidad más lenta (mitad de sideral) y puede usarse para centrar con precisión objetos en el ocular.

Para cambiar la velocidad de los motores:

- Pulse la tecla VELOCIDAD DE MOTOR del mando manual. El LCD mostrará la velocidad actual del motor.
- Pulse el número del mando manual que se corresponda con la velocidad deseada.

El mando manual tiene una función de “botón doble” que le permite acelerar inmediatamente los motores sin tener que elegir una velocidad. Para usar esta función, pulse el botón de flecha que se corresponda con la dirección en la que quiera mover el telescopio. Manteniendo pulsado el botón, pulse el botón de dirección opuesta. Aumentará la velocidad a la velocidad de desplazamiento máxima.

Cuando use los botones de dirección arriba y abajo del mando manual, las velocidades de desplazamiento más lentas (6 e inferior) moverán los motores en dirección opuesta a las velocidades de desplazamiento más altas (7-9). Esto se hace para que un objeto se mueva en la dirección correcta cuando se mire en el ocular (por ejemplo, pulsar el botón de flecha ARRIBA moverá la estrella arriba en el campo de visión del ocular). Sin embargo, si cualquiera de las velocidades más lentas (6 e inferior) se usan para centrar un objeto en el localizador, puede tener que pulsar el botón de dirección opuesta para hacer que el telescopio se mueva en la dirección correcta.

Menú del mando manual

El menú "Mando manual" le permite personalizar ciertas características del mando manual NexStar+. Para acceder al menú, pulse el botón MENÚ (#7 en el teclado) y use los botones de desplazamiento para seleccionar "Mando manual", y pulse INTRO. Use los botones de desplazamiento para seleccionar entre las opciones siguientes:

- **Control de luz:** Ajuste independiente del brillo del teclado numérico y el LCD.
- **Desplazamiento del menú:** Ajusta la velocidad de movimiento del texto por la pantalla LCD.
- **Activar negrita:** Cambia el formato de la fuente mostrada en el LCD de normal a negrita.
- **Establecer contraste:** Use las teclas de desplazamiento para ajustar el contraste del LCD.
- **Establecer idioma:** Cambia el idioma mostrado en el LCD.

NOTA: La función *Establecer idioma* también puede aparecer la primera vez que use su nuevo mando manual. También puede iniciarlo en cualquier momento manteniendo pulsado el botón *Opción* (el logo Celestron) durante 10 segundos mientras el telescopio esté encendido.

Procedimiento de alineación

Para que el telescopio apunte con precisión objetos del firmamento, debe alinearse primero con posiciones conocidas (estrellas) del firmamento. Con esta información, el telescopio puede crear un modelo del firmamento, que usa para ubicar cualquier objeto con coordenadas conocidas. Existen muchas formas de alinear su telescopio con el firmamento según la información que pueda proporcionar el usuario:

- La **Alineación de dos estrellas** usa la información de hora/ubicación introducida y permite al usuario seleccionar las dos estrellas de alineación a las que se desplazará automáticamente el telescopio.
- La **Alineación de una estrella** usa la misma información de hora/ubicación pero solamente usa una estrella para la alineación.
- La **alineación de sistema solar** mostrará una lista de objetos diurnos visibles (planetas y la Luna) disponibles para alinear el telescopio.
- El **Alineamiento rápido** solicitará que introduzca la misma información que para el procedimiento de alineamiento de dos estrellas. Sin embargo, en lugar de desplazarse a dos estrellas de alineación para centrado y alineación, el telescopio ignora este paso y modela el firmamento según la información proporcionada.
- **Última alineación** restablece la última alineación estelar y posición guardada. La última alineación también sirve como protección si el telescopio se queda sin alimentación.

Alineación de dos estrellas

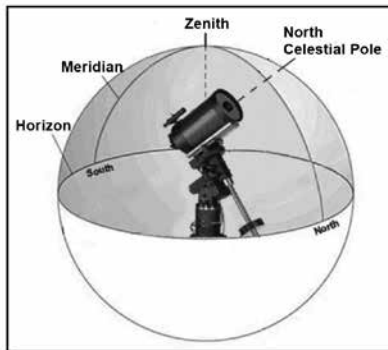
La alineación de dos estrellas permite al usuario seleccionar dos estrellas con las que alinear el telescopio. Para alinear el telescopio con el método de alineación de dos estrellas:

1. Seleccione Alineación de dos estrellas en las opciones de alineamiento mostradas. Según la información de fecha y hora introducida, el mando manual seleccionará y mostrará automáticamente una estrella brillante sobre el horizonte.
 - Pulse ENTER para seleccionar esta estrella como primera estrella de alineación.
 - Si por algún motivo la estrella elegida no es visible (quizá tras un árbol o edificio), pulse ANTERIOR para que el mando manual seleccione automáticamente la siguiente estrella más brillante.
 - También puede usar las teclas arriba/abajo para explorar toda la lista de estrellas con nombre y seleccionar cualquiera de las más de doscientas estrellas de alineación.
2. Cuando el telescopio termine de desplazarse a la primera estrella de alineación, la pantalla se solicitará usar los botones de flecha para alinear la estrella seleccionada con el puntero del localizador. Una vez centrada en el localizador, pulse ENTER. La pantalla le solicitará centrar la estrella en el campo de visión del ocular. Cuando la estrella esté centrada, pulse ALINEAR para aceptar esta estrella como primera estrella de alineación.
3. Cuando se haya introducido la primera estrella de alineación, el mando manual seleccionará automáticamente una segunda estrella de alineación y le hará repetir el procedimiento para ella. Cuando el telescopio se haya alineado con ambas estrellas la pantalla solicitará si desea añadir estrellas de calibración adicionales. Las estrellas de calibración se usan para mejorar la precisión de apuntado de su telescopio compensando sutiles desalineaciones óptomecánicas entre la óptica del telescopio y el soporte. Por lo tanto, normalmente es buena idea añadir al menos una estrella de calibración adicional para mejorar la precisión de apuntado en todo el firmamento del soporte.
4. Pulse INTRO para seleccionar una estrella de calibración. Seleccione una estrella del mismo modo que lo ha hecho con las primeras dos estrellas de alineación y pulse ENTER. Observará que las estrellas de calibración mostradas se encuentran en el lado opuesto del lado del firmamento (meridiano) de las estrellas de alineación originales. Esto es esencial para calibrar con precisión el soporte. Para terminar, puede elegir continuar añadiendo estrellas de calibración adicionales o pulsar ANTERIOR para finalizar la alineación.

Nota: Filtrado Este/Oeste - Para garantizar la mejor precisión de apuntado en todo el firmamento, el soporte informatizado filtra automáticamente y elige sus estrellas de alineación iniciales de forma que las dos primeras estrellas de alineación se encuentren en un lado del meridiano y cualquier estrella de calibrado esté en el lado opuesto del meridiano, como se indica con "W" o "E" mostrado en la esquina superior derecha del LCD. La filtración este/oeste puede cambiarse pulsando el botón MENÚ en cualquier momento del proceso de alineación.

Recomendaciones para añadir estrellas de calibración:

- Aunque no es necesario añadir estrellas de calibración para una observación esporádica, se recomienda que añada tres estrellas de calibración para una precisión óptima.
- Elegir estrellas de calibración cerca del ecuador celeste ofrece mejores resultados que las estrellas cerca de los polos celestes.
- Aunque no es necesario usar estrellas de calibración si el soporte del telescopio no se ha movido desde su alineación/calibración original, puede ser necesario recalibrar el telescopio si el tubo óptico se ha retirado por cualquier motivo.



Nota: Meridiano – El meridiano es una línea imaginaria en el firmamento que comienza en el polo norte celeste y termina en el polo sur celeste, y pasa por el cenit. *Si está mirando al sur, el meridiano comienza en su horizonte sur y pasa directamente por encima hasta el polo norte celeste.*

Alineación rápida

La alineación rápida usa la información de fecha y hora introducida al inicio para alinear el telescopio. Sin embargo, en lugar de desplazarse a dos estrellas de alineación para centrado y alineación, el telescopio ignora este paso y modela el firmamento según la información proporcionada. Con ello podrá desplazarse de una forma general a las coordenadas de objetos brillantes, como la Luna y otros planetas, y le ofrece al telescopio la información necesaria para seguir objetos en cualquier parte del firmamento (según la precisión de la alineación polar). La alineación rápida no está pensada para usarse para localizar con precisión objetos pequeños o tenues del espacio profundo, ni para realizar el seguimiento de objetos con precisión para fotografiarlos.

Para usar la alineación rápida, seleccione Alineación rápida en las opciones de alineación y pulse ENTER. El telescopio usará automáticamente los parámetros de fecha/hora introducidos para alinearse con el firmamento y mostrará Alineación con éxito.

Nota: Cuando se haya realizado una alineación rápida, puede usar la función Realineación (consulte a continuación) para mejorar la precisión de apuntado del telescopio.

Última alineación

El método de última alineación recuperará automáticamente las últimas posiciones de índice guardadas para seguir usando la alineación guardada al apagar por última vez el telescopio. Es una función útil si el telescopio pierde energía accidentalmente o se apaga.

Realignar

El soporte tiene una función de realineación que le permite sustituir cualquiera de las estrellas de alineación originales con una nueva estrella u objeto celeste. Puede ser útil en varias situaciones:

- Si observa durante unas horas, puede notar que las dos estrellas de alineación originales se han desplazado notablemente al oeste. (Recuerde que las estrellas se mueven a una velocidad de 15° por hora). La alineación de una nueva estrella que esté en la zona este del firmamento mejorará la precisión del apuntado, especialmente en objetos en esa zona del firmamento.
- Si ha alineado el telescopio usando el método de alineación rápida, puede usar la realineación para alinearse con un objeto real del firmamento. Así mejorará la precisión del telescopio sin tener que volver a introducir información adicional.
- Si ha usado el método de alineación polar asistido informáticamente y ha movido manualmente el soporte, puede ser necesario realinear el soporte para una precisión de apuntado mejorada.

Para sustituir una estrella de alineación existente por otra nueva:

1. Seleccione la estrella (u objeto) deseada de la base de datos y desplácese hasta ella.
2. Centre cuidadosamente el objeto en el ocular.
3. Una vez centrado, pulse el botón ANTERIOR hasta que esté en el menú principal.
4. Cuando se muestre CGX preparado, pulse la tecla ALINEAR en el mando manual para seleccionar estrellas de alineación de la lista de opciones.
5. La pantalla le solicitará la estrella de alineación que desea reemplazar. Use las teclas de desplazamiento arriba y abajo para elegir la estrella de alineación a reemplazar. Es preferible sustituir la estrella más cercana al nuevo objeto. Separará las estrellas de alineación en el firmamento.
6. Pulse ALINEAR para realizar el cambio.

Catálogo de Objetos

Seleccionar un objeto

Cuando el telescopio esté correctamente alineado, puede elegir un objeto de cualquiera de los catálogos de la base de datos del mando manual NexStar+. El mando manual tiene una tecla designada para cada categoría de objetos de su base de datos; objetos del sistema solar, estrellas y objetos del espacio profundo.

- **Sistema solar** – El catálogo del sistema solar mostrará todos los planetas (y la Luna) de nuestro sistema solar actualmente visibles en el firmamento. Para poder mostrar el Sol como opción en la base de datos, consulte la opción de Menú solar en el menú de configuración del telescopio.
- **Estrellas** – El catálogo de estrellas muestra listas personalizadas de las estrellas, estrellas binarias, estrellas variables, constelaciones y asterismos seleccionados más brillantes.
- **Espacio profundo** – El catálogo Espacio profundo muestra una lista de las mejores galaxias, nebulosas y cúmulos, así como el Messier completo y una selección de objetos NGC. También dispone de una lista alfabética de los objetos del espacio profundo en orden por su nombre común.

Use las teclas de desplazamiento para desplazarse por los catálogos para localizar el objeto que quiera ver.

Cuando se desplace por una lista larga de objetos, mantenga pulsada la tecla ARRIBA o ABAJO para desplazarse por el catálogo rápidamente.

Desplazarse a un Objeto

Cuando se muestre el objeto deseado en la pantalla del mando manual tiene dos opciones:

- **Pulse la tecla INFORMACIÓN DE OBJETO.** Le ofrecerá información útil sobre el objeto seleccionado, como magnitud, constelación e información extendida sobre los objetos más populares.
 - Use los botones de flecha **ARRIBA/ABAJO** para moverse por la información del objeto mostrada.
 - Use el botón **ATRÁS** para volver a la base de datos de objetos.
- **Pulse la tecla INTRO.** Desplazará automáticamente el telescopio a las coordenadas del objeto mostrado en el mando manual. Mientras el telescopio se desplaza al objeto, el usuario puede acceder a muchas de las funciones del mando manual (como mostrar información sobre el objeto).

NOTA: Los catálogos Messier, NGC y SAO necesitan del uso de una designación numérica. Cuando haya seleccionado el botón del catálogo correspondiente y seleccionado el catálogo Messier, NGC o SAO, verá un cursor parpadeante que indica que está en modo de introducción numérica. Introduzca el número del catálogo para el objeto que desea ver. Pulse **ENTER** para ordenar al telescopio que se desplace al objeto, o mantenga pulsado el

botón **OPCIÓN** (el logo Celestron) y pulse **INFORMACIÓN DE OBJETO** para ver información sobre el objeto que ha seleccionado.

PRECAUCIÓN: No desplace nunca el telescopio cuando alguien esté mirando por el ocular. El telescopio puede moverse a velocidades elevadas y golpear al usuario en el ojo.

Botón SkyTour

El soporte CGX incluye una función de recorrido que le permite de forma automática elegir entre una lista de objetos interesantes según la fecha y hora en la que está observando. El recorrido automático mostrará solamente los objetos que se encuentren en los límites de filtros establecidos en el catálogo. Para activar la función Tour, pulse la tecla **SKY TOUR** en el mando manual.

1. Pulse el botón **SKY TOUR** del mando manual.
2. Use los botones **DESPLAZAMIENTO** para seleccionar Lo mejor de esta noche.
3. El soporte CGX se moverá automáticamente en azimut hasta su posición inicial, lo que ayudará a minimizar las posibilidades de enrollar el cable de alimentación durante el recorrido.
4. El mando manual mostrará los mejores objetos que se puedan observar en ese momento en el firmamento.
 - Para ver información y datos sobre el objeto mostrado, pulse la tecla **INFORMACIÓN DE OBJETO**. Púlselo una vez para mostrar las coordenadas del objeto. Púlselo otra vez para mostrar las coordenadas del objeto. Púlselo de nuevo para mostrar la descripción textual. Pulse **ANTERIOR** para volver a la pantalla anterior.
 - Para desplazarse al objeto mostrado pulse **ENTER**.
 - Para ver el siguiente objeto del recorrido, pulse la tecla **ABAJO**.

Botón Identificar

Pulsar el botón **IDENTIFICAR** buscará en los catálogos de la base de datos del soporte y mostrará el nombre y distancias angulares a los objetos coincidentes más cercanos a la ubicación actual del telescopio. Esta función puede servir para dos fines. En primer lugar, puede usarse para identificar un objeto desconocido en el campo de visión del ocular. Además, el modo identificar puede usarse para localizar otros objetos celestes cercanos a los objetos que esté observando.

Por ejemplo, si su telescopio está apuntado a la estrella más brillante de la constelación Lira, elegir Identificar devolverá sin duda la estrella Vega como la observada. Sin embargo, la función Identificar también buscará en las bases de datos NGC y del sistema solar y mostrará cualquier planeta u objeto de espacio profundo cercano. En este ejemplo, la Nebulosa del Anillo (M57) se mostraría como aproximadamente a 6° de distancia. El brillo y la proximidad de los objetos mostrados puede definirse por el usuario usando el Filtro identificar en Configuración de telescopio.

Botones de dirección

El mando manual tiene cuatro botones de dirección en el centro del mando que controla el movimiento del telescopio en altitud (arriba y abajo) y azimut (izquierda y derecha). El telescopio puede controlarse a nueve velocidades distintas.

1 = 2x	6 = .3° / s
2 = 4x	7 = 1° / s
3 = 8x	8 = 2° / s
4 = 16x	9 = 4° / s
5 = 32x	

Botón de velocidad del motor

El botón **VELOCIDAD DE MOTOR** (12) le permite cambiar inmediatamente la velocidad de los motores de una velocidad de desplazamiento elevada a una velocidad de guiado precisa, o cualquier punto intermedio. Cada velocidad se corresponde con un número del teclado del mando manual. El número 9 es la velocidad más alta (aproximadamente 4° por segundo, según la alimentación) y se usa para desplazarse entre objetos y localizar estrellas de alineación. El botón de número 1 del mando manual es la velocidad más lenta (2x media sideral) y puede usarse para un centrado preciso de objetos en el ocular. Para cambiar la velocidad de los motores:

- Pulse la tecla **VELOCIDAD DE MOTOR** del mando manual. El LCD mostrará la velocidad actual.
- Pulse el número del mando manual que se corresponda con la velocidad deseada.

El mando manual tiene una función de "doble botón" que le permite acelerar inmediatamente los motores sin tener que elegir una velocidad. Para usar esta función, pulse el botón de flecha que se corresponda con la dirección en la que quiera mover el telescopio. Manteniendo pulsado el botón, pulse el botón de la dirección opuesta. Aumentará la velocidad a la velocidad de desplazamiento máxima.

Cuando use los botones de dirección **ARRIBA** y **ABAJO** del control manual, las velocidades de desplazamiento más lentas (6 e inferior) moverán los motores en dirección opuesta que en las velocidades de desplazamiento más altas (7-9). Esto se hace para que un objeto se mueva en la dirección correcta cuando se mire en el ocular (por ejemplo, pulsar la flecha arriba moverá la estrella arriba en el campo de visión del ocular). Sin embargo, si cualquiera de las velocidades más lentas (6 e inferior) se usan para centrar un objeto en el localizador, puede tener que pulsar el botón de dirección opuesta para hacer que el telescopio se mueva en la dirección correcta.

Botón Ayuda

En futuras actualizaciones de firmware, este botón ofrecerá recomendaciones de solución de problemas. Para su comodidad, funciona actualmente como acceso directo al catálogo Messier.

Botón Menú

El soporte CGX contiene muchas funciones de configuración definidas por el usuario, diseñadas para dar al usuario control de las muchas funciones del telescopio. Puede acceder a todas las funciones de configuración y utilidades pulsando la tecla **MENÚ** y desplazándose por las opciones siguientes.

Menú de seguimiento

Modo seguimiento - Le permite cambiar la forma en la que el telescopio realiza el seguimiento según el tipo de soporte usado para aguantar el telescopio. El telescopio dispone de tres distintos:

- **EQ Norte** - Se utiliza para seguir el firmamento cuando el telescopio tenga alineación polar en el hemisferio norte.
- **EQ Sur** - Se utiliza para seguir el firmamento cuando el telescopio tenga alineación polar en el hemisferio sur.
- **Apagado** - Cuando se use el telescopio para observación terrestre (en tierra) puede apagarse el seguimiento de forma que el telescopio no se mueva.

Velocidad de seguimiento - Además de poder mover el telescopio con los botones del mando manual, su telescopio seguirá continuamente un objeto celeste a medida que se mueve por el cielo nocturno. La velocidad de seguimiento puede cambiar según el tipo de objeto observado:

- **Sideral** - Esta velocidad compensa la rotación de la Tierra moviendo el telescopio a la misma velocidad que la rotación, pero en dirección opuesta. Cuando el telescopio tiene alineación polar, puede conseguirlo moviendo el telescopio solamente en ascensión derecha.
- **Lunar** - Utilizado para seguir la Luna cuando observe el paisaje lunar.
- **Solar** - Usada para seguir el Sol durante la observación solar con el filtro adecuado.

Menú Ver hora-lugar

Este menú muestra la hora actual y la longitud/latitud descargada del receptor GPS opcional SkySync. También mostrará otra información de hora-lugar correspondiente como la zona horaria, horario de verano y hora sideral local. La hora sideral local (LST) es útil para conocer la ascensión correcta de objetos celestes que se encuentran en el meridiano en ese momento. Ver hora-lugar muestra siempre la última hora y ubicación introducida cuando tenga conexión con el GPS. Cuando se haya recibido información actualizada, se cambiará la información mostrada. Si el GPS está apagado o no está presente, el mando manual solamente mostrará la última hora y ubicación guardada.

Menú del mando manual

El menú "Mando manual" le permite personalizar ciertas características del mando manual NexStar+. Para acceder al menú, pulse el botón **MENÚ** (#7 en el teclado) y use los botones de desplazamiento para seleccionar "Mando manual", y pulse ENTER.

Use los botones de desplazamiento para seleccionar entre las opciones siguientes:

- **Control de luz:** Ajuste independiente del brillo del teclado numérico y el LCD.
- **Desplazamiento del menú:** Ajusta la velocidad de movimiento del texto por la pantalla LCD.
- **Activar negrita:** Cambia el formato de la fuente mostrada en el LCD de normal a negrita.
- **Establecer contraste:** Use las teclas de desplazamiento para ajustar el contraste del LCD.
- **Establecer idioma:** Cambia el idioma mostrado en el LCD.

NOTA: La función *Establecer idioma* puede aparecer también la primera vez que use su nuevo mando manual. También puede iniciarlo en cualquier momento manteniendo pulsado el botón *Opción* (el logo Celestron) durante 10 segundos mientras el telescopio esté encendido.

Menú de configuración del telescopio

Configurar hora-lugar – Permite al usuario personalizar la pantalla del telescopio cambiando los parámetros de hora y ubicación (como la zona horaria y el horario de verano).

Anti retroceso – Todos los engranajes mecánicos tienen cierta cantidad de retroceso o juego entre los engranajes. Este juego es evidente en el tiempo que tarda una estrella en moverse en el ocular cuando se pulsan los botones de flecha del mando manual (especialmente al cambiar direcciones). La función anti retroceso del CGX permite al usuario compensar el retroceso introduciendo un valor que retroceda rápidamente los motores lo justo para eliminar el juego entre engranajes. La cantidad de compensación necesaria depende de la velocidad de desplazamiento seleccionada; cuanto más lenta sea la velocidad de desplazamiento más tiempo tardará la estrella en parecer moverse en el ocular. Dispone de dos valores para cada eje, positivo y negativo:

- Positivo es la cantidad de compensación aplicada cuando pulse el botón para mover los engranajes rápidamente sin una pausa prolongada.
- Negativo es la cantidad de compensación aplicada cuando suelte el botón, rebobinando los motores en dirección contraria para continuar el seguimiento.

Normalmente, ambos valores deberían ser idénticos. Deberá experimentar con distintos valores (entre 0-99); un valor entre 20 y 50 es normalmente preferible para la mayoría de observaciones visuales, mientras que un valor superior puede ser necesario como guía para fotografía.

Para establecer el valor anti retroceso, desplácese a la opción anti retroceso y pulse ENTER. Cuando esté observando un objeto en el ocular, observe la respuesta de cada uno de los cuatro botones de flecha. Observe las direcciones en las que note una pausa en el movimiento estelar tras pulsar el botón. Trabajando en un eje cada vez, ajuste la configuración de retroceso lo suficientemente alta como para causar un

movimiento inmediato sin resultar en un salto pronunciado al pulsar o soltar el botón. Ahora, introduzca los mismos valores para las direcciones positiva y negativa. Si observa un salto al soltar el botón pero establecer valores más bajos resulta en una pausa al pulsarlo, use el valor más alto para positivo, pero use el más bajo para negativo. El telescopio recordará estos valores y los usará cada vez que se active hasta que se modifiquen.

Límites de filtro – Cuando se complete una alineación, el telescopio sabrá los objetos celestes que están sobre el horizonte. Como resultado, cuando se desplace por las listas de la base de datos (o seleccione la función de recorrido), el mando manual mostrará solamente los objetos que se sepa que estén sobre el horizonte cuando esté observando. Puede personalizar la base de datos de objetos seleccionando límites de altitud adecuados para su ubicación y situación. Por ejemplo, si está observando desde una ubicación montañosa en la que el horizonte esté parcialmente oculto, puede establecer el límite mínimo de altitud en +20°. Esto garantizará que el mando manual solamente muestre objetos con una altitud superior a 20°.

RECOMENDACIÓN: Si desea explorar toda la base de datos de objetos, establezca el límite de altitud máxima en 90° y el límite mínimo en -90°. Hacerlo mostrará todos los objetos en las listas de la base de datos sin importar si es visible en el firmamento desde su ubicación o no.

Botones de dirección – La dirección en la que parece moverse una estrella en el ocular cambia según el lado del meridiando en el que este el tubo del telescopio. Puede crear confusión, especialmente al orientarse a una estrella cuando esté tomando fotografías. Para compensarlo, la dirección de las teclas de control del motor puede cambiarse. Para invertir la lógica del botón del mando manual, pulse el botón MENÚ y seleccione los botones de dirección desde el menú Utilidades. Use las teclas de flecha Arriba/Abajo (10) para seleccionar los botones de azimut (izquierda y derecha) o los botones de altitud (arriba y abajo) y pulse ENTER. Seleccione positivo o negativo para ambos ejes y pulse ENTER para guardar. Establecer el botón de dirección de azimut en positivo moverá el telescopio en la misma dirección que sigue el telescopio (por ejemplo, hacia el oeste). Establecer los botones de altitud en positivo moverá el telescopio a la izquierda a lo largo del eje DECLINACIÓN.

Aproximación IrA – permite al usuario definir la dirección en la que se acercará el telescopio cuando se desplace a un objeto. Permite al usuario la capacidad de minimizar los efectos del retroceso cuando se desplace de objeto a objeto. Al igual que con los botones de dirección, establecer la aproximación IrA en positivo hará que el telescopio se aproxime a un objeto desde la misma dirección que el seguimiento (oeste) para azimut y la izquierda en declinación. El acercamiento IrA de declinación solamente será aplicable mientras el tubo del telescopio esté en un lado del meridiano. Cuando el tubo pase al otro lado del meridiano, el acercamiento IrA deberá invertirse.

Para cambiar la dirección de ir a aproximación, elija Ir a aproximación desde el menú Configuración del telescopio, seleccione la aproximación de altitud o azimut, elija positiva o negativa y pulse INTRO.

Recomendación: *Para minimizar el efecto del retroceso del engranaje en la precisión de apuntado, la configuración para el botón de dirección debería coincidir con la configuración del acercamiento IrA. Por defecto, usar los botones de dirección arriba y derecha para centrar estrellas de alineación eliminará automáticamente gran parte del retroceso de los engranajes. Si cambia el acercamiento IrA de su telescopio, no es necesario cambiar también la dirección de los botones. Observe la dirección en que se mueve el telescopio cuando finalice su aproximación IrA final. Si el telescopio se acerca a su estrella de alineación desde el oeste (azimut negativo) y a la derecha (altitud negativa) y asegúrese de que los botones usados para centrar las estrellas de alineación también muevan el telescopio en las mismas direcciones.*

Velocidad de autoguía – Permite al usuario establecer una velocidad de autoguía como porcentaje de velocidad sideral. Es útil cuando calibre su telescopio a una autoguía CCD para una fotografía de larga exposición.

Orientación OTA – Algunos usuarios pueden querer usar un adaptador de barra tándem opcional que le permite fijar dos tubos ópticos al soporte simultáneamente. Cuando la mayoría de barras tándem se fijan a un soporte, los tubos ópticos se colocan en un ángulo de 90° respecto la configuración habitual. Para que el soporte se alinee correctamente con las estrellas, debe saber que se usa una barra de tándem y la dirección en la que están posicionados los tubos ópticos (este u oeste) cuando inicia una alineación. La opción de tándem debe establecerse antes de iniciar cualquiera de las alineaciones estelares. Para establecer esta opción, acceda al menú de configuración del telescopio, seleccione la opción Tándem y pulse ENTER. Seleccione entre una de las opciones siguientes:

- **Este** – Si los tubos ópticos instalados miran al este cuando los marcadores de índice de declinación están alineados, seleccione Este.
- **Oeste** – Si los tubos ópticos instalados miran al oeste cuando los marcadores de índice de declinación están alineados, seleccione Oeste.
- **Normal** - Si la barra de tándem ya no se usa, seleccione "normal" para apagar esta función.

Meridiano – Esta función instruye al soporte el modo de respuesta al moverse a objetos accesibles desde ambos lados del meridiano. La función Meridiano permite al tubo telescópico permanecer en el lado deseado del soporte cuando se desplaza, y continuar el seguimiento según los límites de desplazamiento R.A. que haya establecido el usuario. Consulte Límites R.A. más adelante. La función Meridiano permite cuatro elecciones:

- **Favorecer actual** – Permite al soporte favorecer el lado del soporte que esté activo actualmente al desplazarse a objetos cerca del meridiano. Por ejemplo, si los límites de desplazamiento R.A. se han establecido para permitir que

el soporte siga 10° más allá del meridiando, el telescopio seguirá en su lado del meridiano actual al desplazarse a objetos que se encuentren hasta a 10° de su meridiano.

- **Favorecer oeste** – Si el objeto está accesible desde ambos lados del soporte, seleccionar "Favorecer oeste" indica al soporte que apunte al objeto como si estuviera en el lado oeste del meridiano. El tubo óptico se colocará en el lado este del soporte y apuntará al oeste.
- **Favorecer este** – Si el objeto está accesible desde ambos lados del soporte, seleccionar "Favorecer este" indica al soporte que apunte al objeto como si estuviera en el lado este del meridiano. El tubo óptico se colocará en el lado oeste del soporte y apuntará al este.
- **Desactivar** – Es la configuración por defecto, que instruye al soporte oscilar siempre al otro lado del soporte según sea necesario para ver objetos en el lado opuesto del meridiano. Sin embargo, cuando esté en el objeto deseado, el soporte seguirá realizando el seguimiento más allá del meridiano según los límites de desplazamiento R.A. que se hayan establecido.

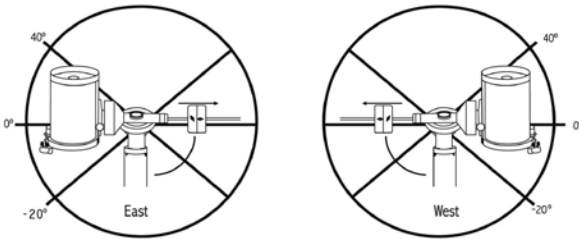
Configuración de soporte – Cuando se haya calibrado la configuración del soporte (consulte la sección Utilidades a continuación) los valores se guardan y se muestran en el mando manual. No se recomienda cambiar los valores de calibración. Sin embargo, cada configuración puede cambiarse si es necesario para mejorar el rendimiento del telescopio.

- **Valor de cono** – Es el valor de error de cono establecido cuando se realiza Utilidades/Calibrar soporte/Conmutador DEC – Cono.
- **Índice DEC** – Es el valor de error de índice de declinación guardado al añadir estrellas de calibración tras la alineación estelar inicial.
- **Índice R.A.** – Es el valor de error del índice R.A. establecido cuando se realiza Utilidades/Calibrar soporte/Conmutador R.A.

Límites R.A. – Establece los límites de ascensión derecha (R.A.) a los que se puede desplazar el telescopio o realizar seguimiento antes de detenerse. Los límites de desplazamiento se representan en grados y por defecto se establece en 0°, que es la posición del telescopio cuando la barra de contrapeso esté extendida horizontalmente. Sin embargo, los límites de desplazamiento pueden personalizarse según sus necesidades. Por ejemplo, si usa equipo fotográfico CCD con cables no lo suficientemente largos para moverse con el telescopio a medida que se desplaza por el firmamento, puede ajustar el límite de desplazamiento en el lado del soporte restringido por los cables, y ordena al soporte dejar de desplazarse antes de alcanzar este punto. Si está fotografiando un objeto que acaba de cruzar el meridiano, puede establecer el límite para permitir al soporte continuar el seguimiento en la misma dirección pasado el meridiano sin necesidad de "volar" el telescopio al lado opuesto del soporte (consulte la función Meridiano anteriormente). Usando el primer ejemplo anterior, el usuario puede desplazar el telescopio en R.A. (azimut) hasta que llegue al punto en que los cables de extiendan al máximo. Luego, mostrando el

azimut del telescopio en esta posición (mirando a la posición Obtener eje en el menú Utilidades) puede determinar el azimut del telescopio en su posición más extendida. Introduzca esta lectura de azimut para el límite de desplazamiento en azimut máximo o mínimo para garantizar que el telescopio no se desplace más allá de este punto. Los límites de desplazamiento del telescopio pueden establecerse para detenerse automáticamente en cualquier lugar entre 40° por encima del nivel y 20° por debajo del nivel. Para establecer el límite de desplazamiento R.A. seleccione lo siguiente:

- **Límite Este R.A.** - Introduzca un número entre +40° y -20° para definir el límite de desplazamiento cuando el tubo esté en el lado este del soporte.
- **Límite Oeste R.A.** - Introduzca un número entre +40° y -20° para definir el límite de desplazamiento cuando el tubo esté en el lado oeste del soporte.
- **Desactivar límites** - Desactiva cualquier valor predefinido que se haya introducido y permite al soporte seguir la cantidad máxima más allá del meridiano (por ejemplo, -20° en ambos lados).



ADVERTENCIA: Para que el telescopio pueda desplazarse a una estrella desde la dirección que minimice la cantidad de retroceso en los engranajes, puede ser necesario que el telescopio se desplace más allá del límite de desplazamiento especificado para aproximarse a la estrella desde la dirección correcta. Esto puede limitar su capacidad de desplazamiento a un objeto en hasta 6° del límite de desplazamiento R.A. en el mando manual. Si demuestra ser un problema, la dirección que toma el telescopio para centrar un objeto puede modificarse. Para cambiar la dirección de desplazamiento del telescopio, consulte *Acercamiento IrA* en el menú *Configuración del telescopio*.

Velocidad personalizada 9 – Permite personalizar la velocidad a la que el soporte se desplace a un objetivo. Puede establecer los ejes R.A. y Dec de forma individual.

Menú de utilidades

Desplazarse por las opciones del MENÚ (9) también proporcionará acceso a diversas funciones de utilidad avanzadas del telescopio como: calibrar soporte, hibernar y muchas otras.

Calibrar soporte – Para optimizar el rendimiento y precisión de apuntado del telescopio, el soporte tiene rutinas de calibración integradas que le permiten compensar la variación mecánica inherente en cualquier soporte ecuatorial alemán. Cada calibración es totalmente automática y en la mayoría de casos solamente debe realizarse una vez. Se recomienda encarecidamente que tome unos minutos para pasar por los procedimientos de calibración del soporte.

- **Conmutación R.A.** – Este procedimiento registra el error de desvío cuando la marca del índice de ascensión está alineado en el inicio. Calibrar el índice R.A. mejora la precisión de su alineación estelar inicial cuando vuelva a alinear el telescopio.
- **Calibración IrA** – La calibración IrA es una herramienta útil cuando coloque accesorios visuales o fotográficos al telescopio. La calibración IrA calcula la cantidad de distancia y tiempo que tarda el soporte en completar su último IrA lento cuando se desplace a un objeto. Cambiar el equilibrio del telescopio puede aumentar el tiempo que tarda en completar el desplazamiento final. La Calibración IrA tiene en cuenta cualquier leve desequilibrio y cambia la distancia IrA final para compensar.

Posición inicial – La posición “inicial” del telescopio es una posición definible por el usuario que se usa para guardar el telescopio cuando no se use. La posición inicial es útil al guardar el telescopio en una instalación de observatorio permanente. Por defecto la posición de inicio es la misma posición de índice usada al alinear el soporte.

Para establecer la posición de inicio de su soporte, use los botones de flecha del mando manual para mover el soporte del telescopio a la posición deseada. Seleccione la opción Establecer y pulse Enter. Seleccione la opción IrA para devolver el telescopio a la posición de inicio en cualquier momento.

Configuración de fábrica – Devuelve el mando manual a su configuración original de fábrica. Los parámetros como la compensación de retroceso, fecha y hora inicial, longitud/latitud, junto con los límites de desplazamiento y filtro, se reiniciarán. Sin embargo, los parámetros guardados como objetos definidos por el usuario seguirán guardados aunque se seleccione Configuración de fábrica. El mando manual le solicitará pulsar la tecla “0” antes de volver a la configuración por defecto de fábrica.

Versión - Seleccionar esta opción le permitirá ver el número de versión del software del mando manual y el control del motor. El primer grupo de números indica la versión de software del mando manual. Para el control del motor, el mando manual mostrará dos grupos de números; los primeros números son para el azimut y los segundos para la altitud.

Obtener posición de eje – Muestra la altitud y azimut relativas para la posición actual del telescopio.

Posición de eje IrA – Le permite introducir una posición de altitud y azimut concreta y desplazarse a ella.

Hibernar – Hibernar permite al telescopio apagarse por completo y seguir alineado al volver a encenderse. Así no solamente ahorra energía, sino que es ideal para tener el telescopio montado permanentemente o dejar el telescopio en una ubicación durante periodos largos de tiempo. Para colocar su telescopio en modo Hibernación:

1. Seleccione Hibernar en el menú de utilidades.
2. Mueva el telescopio a la posición deseada y pulse ENTER.
3. Apague el telescopio. Recuerde no mover nunca el telescopio manualmente cuando esté en modo Hibernación.

Cuando el telescopio se encienda de nuevo la pantalla mostrará Activar. Tras pulsar Intro tiene la opción de desplazarse por la información de hora/lugar para confirmar la configuración actual. Pulse ENTER para activar el telescopio.

RECOMENDACIÓN: Pulsar ANTERIOR en la pantalla de activación le permite explorar muchas de las funciones del mando manual sin activar el telescopio del modo de hibernación. Para activar el telescopio tras pulsar ANTERIOR, seleccione Hibernar desde el menú Utilidad y pulse ENTER. No use los botones de dirección para mover el telescopio cuando esté en modo hibernación.

Menú Sol

Por motivos de seguridad el Sol no se mostrará como objeto de la base de datos a menos que esté previamente habilitado. Para activar el Sol, acceda al menú solar y pulse ENTER. El Sol se mostrará en el catálogo de planetas y puede usarse como objeto de alineación cuando use el método de alineación de sistema solar. Para quitar el Sol de las indicaciones del mando manual, seleccione de nuevo el menú solar del menú Utilidades y pulse ENTER.

Establecer posición de soporte

El menú Establecer posición de soporte puede usarse para mantener la alineación en casos en los que desee desacoplar los enganches o situaciones similares. Por ejemplo, puede usar esta función si necesita reequilibrar el soporte tras haber completado una alineación. Para establecer la posición del soporte, desplácese a una estrella brillante en la lista de estrellas con nombre y seleccione Establecer posición de soporte. El mando manual sincronizará en la estrella solicitando que centre la estrella en el ocular y pulse el botón Alinear. Cuando haya sincronizado en la estrella, podrá mover manualmente el soporte en ambos ejes para reequilibrar. Cuando esté preparado para desplazar el telescopio al siguiente objeto, recuerde devolver manualmente el tubo a la misma estrella brillante y centrarla cuidadosamente en el ocular. Usar esta herramienta anulará el índice PEC.

Activar/desactivar GPS – Si usa su telescopio con el accesorio GPS opcional SkySync, deberá activar el GPS la primera vez que use el accesorio. Si desea usar la base de datos del telescopio para localizar las coordenadas de un objeto celeste para una fecha futura o pasada, deberá apagar el GPS para introducir manualmente una hora distinta a la actual.

Activar/desactivar RTC – Le permite apagar el reloj en tiempo real interno del telescopio. Al alinear, el telescopio seguirá recibiendo información de tiempo del RTC. Si desea usar la base de datos del mando manual para localizar las coordenadas de un objeto celeste para una fecha futura o pasada, deberá apagar el RTC para introducir manualmente una hora distinta a la actual.

Corrección de error periódica (PEC) – PEC está diseñada para mejorar la calidad fotográfica reduciendo la amplitud de los errores de engranajes y mejorando la precisión de seguimiento del motor. Esta función sirve para astrografía avanzada y se usa cuando su telescopio tiene alineación polar precisa. Para más información sobre el uso de PEC, consulte la sección del manual sobre "Fotografía astronómica".

Menú de objetos del usuario

Su telescopio puede guardar hasta 400 objetos distintos definidos por el usuario en memoria. Los objetos pueden ser objetos terrestres diurnos o un objeto celeste interesante que descubra y no esté incluido en la base de datos habitual. Existen distintas formas de guardar un objeto en memoria según el tipo de objeto que sea:

Ir a objeto: Para ir a cualquiera de los objetos definidos por el usuario de la base de datos, desplácese a "IrA Obj. celeste" o "IrA Obj.terrestre", introduzca el número del objeto que quiera seleccionar y pulse ENTER. El telescopio recuperará automáticamente y mostrará las coordenadas antes de desplazarse al objeto.

Guardar objeto celeste: Su telescopio guarda objetos celestes en su base de datos guardando sus coordenadas de ascensión derecha y declinación correctas en el firmamento. De este modo se puede encontrar el mismo objeto cada vez si el telescopio está alineado. Cuando se centre el objeto deseado en el ocular, desplácese al comando "Guardar obj.cel." y pulse ENTER. La pantalla le solicitará introducir un número entre 1 y 200 para identificar el objeto. Pulse ENTER de nuevo para guardar el objeto en la base de datos.

Guardar base de datos (BD)

- **Objeto:** Esta función le permite crear su ruta personalizada de objetos de la base de datos permitiéndole registrar la posición actual del telescopio y guardar el nombre del objeto seleccionándolo de cualquiera de los catálogos de la base de datos. Se puede acceder a estos objetos seleccionando IrA objeto celeste.

- **Introducir R.A. - Dec:** También puede guardar un grupo concreto de coordenadas para un objeto introduciendo el R.A. y la declinación del objeto. Desplácese al comando "Introducir RA-DEC" y pulse ENTER. La pantalla le solicitará introducir primero el R.A. y a continuación la declinación del objeto deseado.
- **Guardar objeto terrestre:** El telescopio también puede usarse como telescopio para objetos terrestres. Los objetos terrestres fijos pueden guardarse mediante su altitud y azimut relativos a la ubicación del telescopio en el momento de la observación. Como estos objetos son relativos a la ubicación del telescopio, solamente tienen validez para esa ubicación exacta. Para guardar objetos celestes, centre de nuevo el objeto deseado en el ocular. Desplácese al comando "Guardar obj.terrestre" y pulse ENTER. La pantalla le solicitará introducir un número entre 1 y 200 para identificar el objeto. Pulse ENTER de nuevo para guardar el objeto en la base de datos.

Para sustituir el contenido de cualquiera de los objetos definidos por el usuario, guarde un nuevo objeto usando uno de los números de identificación existentes; el telescopio sustituirá el objeto definido por el usuario anterior con el actual.

Obtener R.A./DEC - Muestra la ascensión derecha y declinación para la posición actual del telescopio.

IR a R.A./DEC. - Le permite introducir un R.A. y declinación específicos y desplazarse a ellos.

Recomendación: Para guardar un grupo de coordenadas (R.A./Dec) permanentemente en la base de datos, guárdelo como objeto definido por el usuario del modo descrito anteriormente.

Identificar

El modo identificación buscará los catálogos o listas de la base de datos del soporte y mostrará el nombre y distancias de desvío a los objetos coincidentes más cercanos. Esta función puede servir para dos fines. En primer lugar, puede usarse para identificar un objeto desconocido en el campo de visión del ocular. Además, el modo identificar puede usarse para localizar otros objetos celestes cercanos a los objetos que esté observando. Por ejemplo, si su telescopio apunta a la estrella más brillante de la constelación de Lira, elegir Identificar y buscar en el catálogo de estrellas con nombres devolverá sin duda la estrella Vega como la estrella que está viendo. Sin embargo, seleccionando Identificar y buscando en los catálogos Objetos con nombre o Messier, el mando manual le hará saber que la Nebulosa del Anillo (M57) está a aproximadamente 6° de su posición actual. Buscar en el catálogo Estrellas dobles mostrará que Epsilon Lyrae solamente está a 1° de distancia de Vega. Para usar la función Identificar:

- Pulse el botón Menú y seleccione la opción Identificar.
- Use las teclas de desplazamiento Arriba/Abajo para seleccionar el catálogo en el que quiera buscar.
- Pulse INTRO para iniciar la búsqueda.

NOTA: Algunas bases de datos contienen miles de objetos y, por lo tanto, puede tardar varios minutos en devolver los objetos más cercanos.

IrA preciso

El soporte tiene una función IrA preciso que puede ayudar a localizar objetos extremadamente tenues y centrar objetos más cercanos al centro del campo de visión para fotografía astronómica. IrA preciso busca automáticamente la estrella brillante más cercana al objeto deseado y solicita al usuario centrarla cuidadosamente en el ocular. El mando manual calcula la pequeña diferencia entre su posición IrA y su posición centrada. Usando este desvío, el telescopio se desplazará al objeto deseado con una precisión mejorada.

Para usar IrA preciso:

1. Pulse el botón MENÚ y use las teclas arriba /abajo para seleccionar IrA preciso.
 - Elija la base de datos para seleccionar el objeto que quiera observar de cualquiera de los catálogos de base de datos listados o;
 - Elija el R.A./DEC para introducir un grupo de coordenadas celestes a las que se quiera desplazar.
2. Cuando se seleccione el objeto deseado, el mando manual buscará y mostrará la estrella brillante más cercana al objeto deseado. Pulse INTRO para desplazarse a la estrella brillante de alineación.
3. Use los botones de dirección para centrar cuidadosamente la estrella de alineación en el ocular.
4. Pulse INTRO para desplazarse al objeto deseado.

Apéndice A: Actualización del Firmware del Soporte y el Mando Manual

Para comprobar si existen nuevas actualizaciones, consulte esta URL:

<http://software.celestron.com/updates/CFM/CFM/>

1. Conecte su mando manual NexStar+ en el puerto AUX1 o AUX2.
2. Conecte un cable USB B estándar entre el soporte y su PC.
3. Conecte la alimentación al CGX y enciéndalo.
4. Abra el Gestor de firmware Celestron (CFM).
5. CFM comprobará el hardware y buscará actualizaciones. CFM determinará automáticamente los componentes que precisan de actualización.
6. Continúe pulsando "Actualizar" en CFM y deje que se completen las actualizaciones.

Apéndice B: Cuidados y Mantenimiento

El soporte CGX es resistente y durará muchos años cuando se cuide adecuadamente.

Almacenamiento

Aunque el soporte y la electrónica han sido diseñados para uso en exteriores, no debe guardar el soporte en el exterior a menos que esté protegido por un observatorio o lugar de almacenamiento de algún tipo (como un garaje). Los extremos de calor, frío y humedad constantes pueden provocar desgaste en la electrónica, la lubricación mecánica y la calidad del acabado del soporte. Guárdelo en un lugar protegido, lejos del Sol. Guárdelo en un lugar seco en la medida de lo posible.

GARANTÍA LIMITADA POR DOS AÑOS DE CELESTRON

A. Celestron garantiza su soporte de telescopio libre de defectos de materiales y mano de obra durante dos años. Celestron reparará o sustituirá el producto o parte del mismo si, al ser inspeccionado por Celestron, demuestra tener defectos de materiales o mano de obra. Como condición de la obligación de Celestron de reparar o sustituir dicho producto, el producto debe ser devuelto a Celestron junto con una prueba de compra adecuada para Celestron.

B. Debe obtener un número de autorización de devolución adecuado de Celestron antes de la devolución. Llame a Celestron al (310) 328-9560 para recibir el número que se mostrará en el exterior del recipiente de transporte.

Cualquier devolución debe ir acompañada de una declaración por escrito en la que conste el nombre, dirección y número de teléfono de contacto durante el día del propietario, junto con una breve descripción de cualquier defecto reclamado. Las piezas o productos sustituidos pasarán a ser propiedad de Celestron.

El cliente será responsable de cualquier coste de transporte y seguros, tanto hacia como desde la fábrica de Celestron, y deberá cubrir dichos costes.

Celestron realizará todos los esfuerzos razonables para reparar o sustituir cualquier soporte de telescopio cubierto por esta garantía en los treinta días siguientes a su recepción. En caso de que la reparación o sustitución precise de más de treinta días, Celestron se lo notificará al cliente. Celestron se reserve el derecho de sustituir cualquier producto que haya sido dejado de fabricar por un nuevo producto de valor y función comparables.

Esta garantía será nula y sin efecto en caso de que un producto cubierto haya sido modificado en su diseño o función, o sometido a abuso, mal uso, mala manipulación o reparación no autorizada. Además, las averías o deterioro del producto por desgaste normal no están cubiertos por esta garantía.

CELESTRON RECHAZA TODA RESPONSABILIDAD POR GARANTÍAS, EXPLÍCITAS O IMPLÍCITAS, SEAN DE ADECUACIÓN COMERCIAL PARA UN USO ESPECÍFICO, SALVO LAS EXPLÍCITAMENTE AQUÍ DECLARADAS. LA ÚNICA OBLIGACIÓN DE CELESTRON EN ESTA GARANTÍA LIMITADA SERÁ REPARAR O SUSTITUIR EL PRODUCTO CUBIERTO, DE ACUERDO CON LOS TÉRMINOS AQUÍ ESTABLECIDOS. CELESTRON RECHAZA EXPLÍCITAMENTE CUALQUIER PÉRDIDA DE BENEFICIOS, DAÑOS GENERALES, ESPECIALES, INDIRECTOS O CONSIGUIENTES QUE PUEDAN RESULTAR DE LA VULNERACIÓN DE CUALQUIER GARANTÍA, O SURJAN DEL USO O INCAPACIDAD PARA USAR CUALQUIER PRODUCTO CELESTRON. CUALQUIER GARANTÍA IMPLÍCITA QUE NO PUEDA REHUSARSE SERÁ LIMITADA EN SU DURACIÓN A UN TÉRMINO DE DOS AÑOS DESDE LA FECHA DE COMPRA ORIGINAL.

Algunos estados no permiten la exclusión o limitación de datos incidentales o consiguientes, ni permiten limitar el tiempo que dura una garantía implícita, por lo que las limitaciones indicadas o exclusiones pueden no serle aplicables.

Esta garantía le ofrece derechos legales específicos, y puede tener otros derechos, que varían según el estado.

Celestron se reserva el derecho de modificar o cesar, sin previo aviso, cualquier modelo o estilo de telescopio.

Si surgen problemas de garantía, o necesita asistencia al usar su telescopio, contacte con:

Celestron
Departamento de servicio al cliente
2835 Columbia Street
Torrance, CA 90503
Tel. 800.421.9649
Lunes-Viernes 8AM-4PM PST

NOTA: Esta garantía tiene validez para clientes de EE.UU. y Canadá que hayan adquirido este producto en un vendedor autorizado de Celestron en EE.UU. y Canadá. La garantía fuera de EE.UU. y Canadá solamente tiene validez para clientes que hayan comprado en un distribuidor internacional de Celestron o un vendedor de Celestron autorizado en el país específico. Contacte con ellos para obtener servicio de garantía.



Nota FCC: Este equipo ha sido probado y cumple con los límites de un dispositivo digital de Clase B, según el apartado 15 de las normas FCC. Estos límites están diseñados para proporcionar una protección razonable contra interferencias dañinas en una instalación doméstica. Este equipo genera, usa e irradia energía de radiofrecuencia y, si no se instala y utiliza de acuerdo con las instrucciones, puede provocar interferencias dañinas en comunicaciones por radio. Sin embargo, no existe ninguna garantía de que no se produzcan interferencias en una instalación concreta. Si este equipo causa interferencias dañinas en la recepción de radio o televisión, lo que puede determinarse apagando y encendiendo el equipo, se recomienda al usuario intentar corregir las interferencias con una o varias de las medidas siguientes:

- Reorientar o recolocar la antena receptora.
- Aumentar la separación entre el equipo y el receptor.
- Conectar el equipo a una toma de un circuito distinto al que esté conectado el receptor.
- Consultar al vendedor o aun técnico experimentado de radio/TV para obtener ayuda.

El diseño y las especificaciones del producto están sujetos a cambios sin notificación previa.

Este producto ha sido diseñado y está pensado para ser usado por personas de 14 años o más de edad.

www.celestron.com
2835 Columbia Street • Torrance, CA 90503 EE.UU.
Teléfono: 800.421.9649
©2017 Celestron • Todos los derechos reservados.





CGX

TELESCOPI CON MONTATURA EQUATORIALE ALLA TEDESCA

MANUALE D'USO

Modelli 91530-1

INDICE

Introduzione	5
Requisiti di Sistema	5
Elenco Componenti	5
Panoramica	6
Assemblaggio	8
Funzioni di Base	10
Allineamento polare Della Montatura	11
Allineamento Polare di Precisione	12
Raggio di Movimento Sulla Montatura	12
Regolazione della Montatura per Latitudini Molto Alte o Basse	13
Porta USB	13
Porte AUX	13
Porta Autoguida	13
Controllo Manuale NexStar+	14
Catalogo Degli Oggetti	18
Rotazione Verso un Oggetto	18
Appendice A: Aggiornamento del Firmware della Montatura e Pulsantiera	24
Appendice B: Cura e Manutenzione	25
Garanzia Limitata di Due Anni Celestron	26

Introduzione



⚠ Avvertenza

- Non guardare mai direttamente il Sole a occhio nudo o con un telescopio (a meno che non si disponga del corretto filtro solare). Ciò potrebbe causare danni irreversibili agli occhi.
- Mai utilizzare il telescopio per proiettare un'immagine del Sole su una qualsiasi superficie. L'accumulo interno di calore può danneggiare il telescopio e i relativi accessori ad esso fissati.
- Mai utilizzare un filtro solare per oculare o un prisma di Herschel. L'accumulo di calore all'interno del telescopio può causare l'incrinatura o la rottura di tali dispositivi, lasciando che la luce solare non filtrata passi attraverso l'occhio.
- Mai lasciare il telescopio incustodito. Assicurarsi che un adulto che abbia familiarità con le procedure di funzionamento corrette sia sempre presente con il telescopio, specialmente in presenza di bambini.

Requisiti di Sistema

- Il CGX richiede corrente continua a 12 Volt con almeno 4 ampere di corrente. Celestron mette a disposizione un alimentatore c.a. a 12VDC 5A, includendo un connettore cilindrico filettato il cui utilizzo è consigliabile. Anche le batterie portatili da 12 volt forniscono un'alimentazione elettrica adatta. La montatura comprende il cavo di alimentazione c.c. con spinotto accendisigari.
- Il telescopio deve avere una barra di montaggio a coda di rondine di tipo CG-5/Vixen o CGE/Losmandy D. CGX si adatta bene ad uno di questi formati dei supporti a coda di rondine.
- Per assicurare prestazioni ottimali, il carico utile totale del telescopio non deve essere superiore a 55 libbre (25 kg), contrappesi esclusi.
- Utilizzare i sistemi operativi Windows 7/10 con il software di controllo del telescopio.
- Cavo USB con connettore standard A quando è collegato alla porta USB della montatura (solo per PC).
- Cacciavite a stella (opzionale, solo per la regolazione dei comandi).

Elenco Componenti

Scatola 1: Montatura equatoriale CGX 91530-1

CGX montatura equatoriale testa

8 mm chiave a brugola (in cattività in maniglia posteriore della montatura)

Barra di contrappeso e dado di arresto

3 viti a testa esagonale incassata da 8 mm (la testa si attacca al treppiede)

Cavo di alimentazione da 12V DC

Pulsantiera NexStar+

Scatola 2: Treppiede e Contrappesi CGX

Treppiede

2 contrappesi da 5 kg (11 lb)

Vano accessori

Manopola vassoio e rondella (filettata sulla colonna centrale del treppiede)

Panoramica

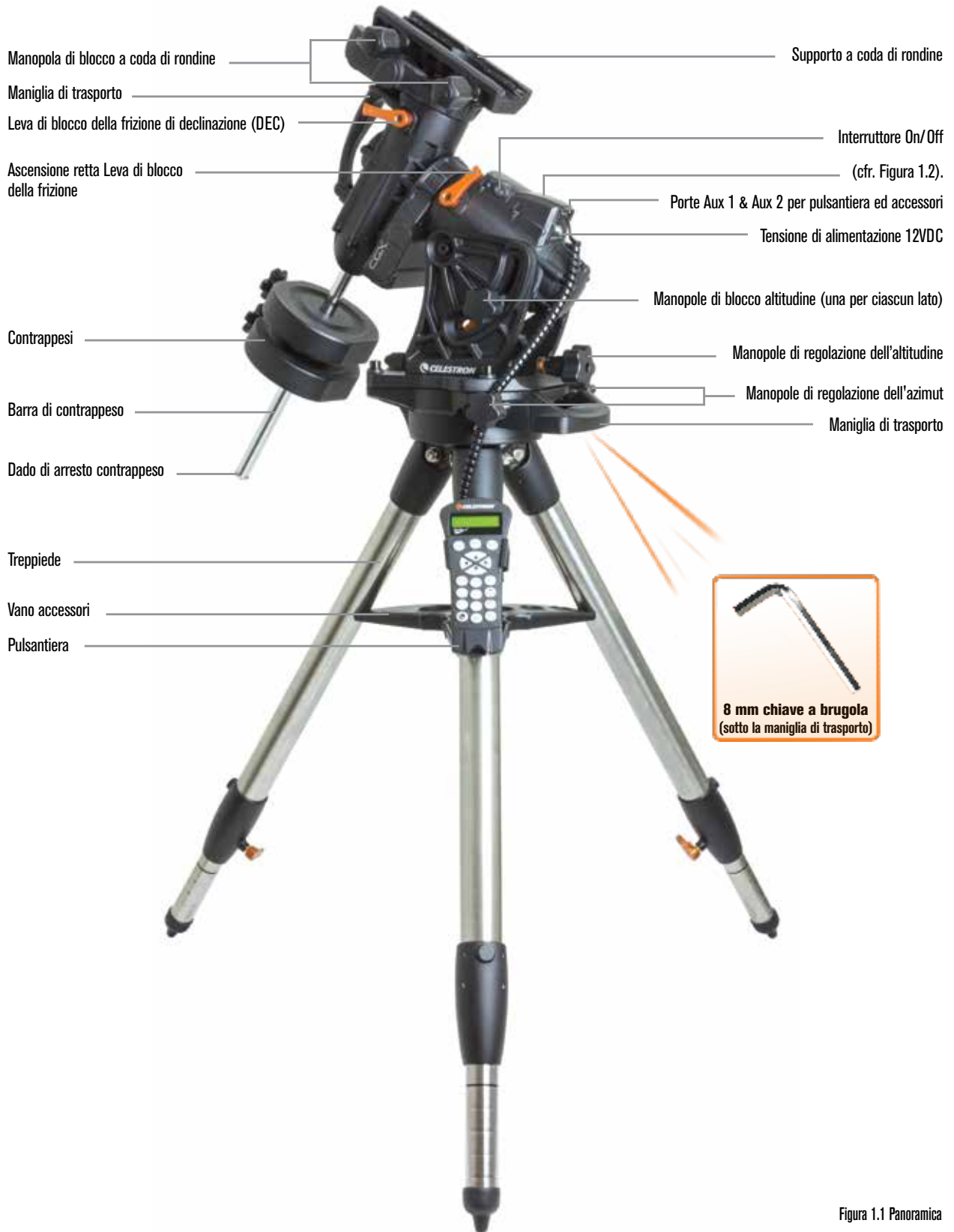


Figura 1.1 Panoramica



Figura 1.2 Panoramica

Assemblaggio

Disimballare tutti i contenuti e seguire la seguente procedura per assemblare la montatura. In caso di acquisto singolo del CGX, il treppiede include due contrappesi da 11 lb. Mentre, se il CGX è stato acquistato con un grande tubo ottico, saranno compresi più pesi per raggiungere l'equilibrio.

Nota: La chiave a brugola da 8 mm inclusa si trova sotto a maniglia posteriore della montatura, come mostrato in Figura 1.1.

Impostare il treppiede

1. Mettere il treppiede in posizione verticale e tirare le gambe dello stesso verso l'esterno fino a quando non raggiungeranno l'estensione massima.
2. Rimuovere dadi e rondelle di supporto del treppiede dal colonna centrale fissati sulla parte superiore (Figure 2.1 e 2.2).
3. Collocare il vano accessori sopra la colonna centrale in modo che ciascuno dei tre bracci del vassoio sostenga una gamba del treppiede.
4. Infilare il dado e la rondella di nuovo sulla colonna filettata e serrare saldamente in posizione. Il vano accessori non dovrebbe essere in grado di spostarsi contro il treppiede (Figure 2.1 e 2.2).
5. Regolare l'altezza del treppiede allentando le manopole di blocco sull'estremità di ogni gamba del treppiede. Poi regolare l'altezza della gamba secondo le proprie esigenze e stringere di nuovo le manopole di blocco, una gamba alla volta. Si noti che i contrassegni di riferimento gamba possono essere utilizzati per livellare facilmente il treppiede.



Figura 2.1 Configurazione del treppiede



Figura 2.2 Configurazione del treppiede

Fissaggio della montatura al treppiede

1. Mettere la testa sul treppiede in modo che può inserirsi correttamente nella superficie di accoppiamento.
2. Per una migliore stabilità, orientare la montatura in modo che la barra di contrappeso è posizionata direttamente sopra la gamba del treppiede, come mostrato nelle Figure 1.1 e 1.2. Si noti che è possibile orientare la montatura in modo che la barra di contrappeso sia tra due delle gambe del treppiede che possono essere utili a basse latitudini, permettendo ai contrappesi di essere più distanti dal treppiede.
3. Usare la chiave a brugola da 8 mm in dotazione (Figura 3) per avvitare le 3 viti di fissaggio sulla montatura.



Figura 3 Fissaggio della montatura al treppiede

Allineamento polare parziale della montatura

Prima di caricare ulteriormente la montatura ed il treppiede, posizionare il supporto più o meno verso nord (o sud se nell'emisfero australe), e impostare la latitudine. Allentare le due manopole di blocco altitudine, quindi ruotare la manopola di regolazione altitudine (Figura 1.1) finché la latitudine non si è parzialmente impostata, come indicato sulla scala della latitudine (Figura 1.2); quindi serrare nuovamente le manopole di blocco altitudine. La scala è concepita solo per l'allineamento polare parziale. Si potrà raggiungere in seguito l'allineamento polare più preciso con l'assistenza della pulsantiera computerizzata.

Aggiungere i contrappesi

Rimuovere il dado di arresto alla fine della barra di contrappeso, aggiungere i contrappesi, quindi avvitare il dado di arresto. Mantenere la barra di contrappeso puntata verso il basso. (Figura 1.1)

Fissaggio del telescopio alla montatura

1. Assicurarsi che sia le leve di frizione di declinazione (DEC) che di ascensione retta (AR) vengano strette.
2. Allentare le manopole di blocco del supporto a coda di rondine, abbastanza per permettere alla coda di rondine di adattarsi al supporto. Nota: la freccia deve essere rivolta verso la stessa parte della maniglia anteriore (Figura 4).
3. Far scorrere la barra a coda di rondine del telescopio nel supporto a coda di rondine della montatura. Fissare il telescopio in posizione con le due manopole di blocco (Figura 5).

Il CGX si adatta all'ampia coda di rondine stile CGE Celestron e a code di rondine più piccole stile CG-5, comune anche per code di rondine Losmandy D1 e stile Vixen2.

- 1 Verificare la barra a coda di rondine Losmandy prima di fissare il telescopio alla montatura. Misure e angoli della coda di rondine possono variare tra i diversi produttori.
- 2 Verificare la barra a coda di rondine Vixen prima di fissare il telescopio alla montatura. Si rammenta che alcune code di rondine stile Vixen non sono piatte e non hanno la stessa altezza sulla barra. A seconda della lunghezza del piano, l'adattabilità al supporto a coda di rondine della montatura può risultarne compromessa.



Figura 4 Fissaggio della montatura al treppiede



Figura 5 Coda di rondine del telescopio posizionata correttamente

Bilanciare la montatura

Asse di ascensione retta: Sbloccare con cautela la leva della frizione per l'ascensione retta e posizionare la barra di contrappeso così che sia orizzontale. Senza lasciare il telescopio, controllare da quale lato pende la bilancia. Far scorrere i contrappesi, se necessario, in modo che l'asse di AR non si muove quando la frizione è sbloccata.

Asse di declinazione: Con la barra di contrappeso ancora in orizzontale, sbloccare con cautela la leva della frizione di declinazione e controllare in che modo il tubo ottico è equilibrato (Figura 6). Far scorrere il tubo ottico in avanti o indietro, secondo necessità, per raggiungere l'equilibrio. Per telescopi grandi e pesanti, riportare il telescopio nella posizione di riposo prima di allentare le manopole di blocco del supporto a coda di rondine.



Figura 6 Bilanciare la montatura

Fissaggio della custodia per pulsantiera

Avvolgere il cinturino a strappo e la custodia attorno alla gamba del treppiede e posizionarvi la pulsantiera al suo interno.

Collegamento pulsantiera

Collegare la pulsantiera NexStar+ in dotazione ad una delle porte Aux.

⚠ Avvertenza: Non collegare la pulsantiera alla porta Autoguida. Potrebbero verificarsi danni alla montatura o alla pulsantiera. Allo stesso modo, non collegare il cavo autoguida alla porta AUX, altrimenti potrebbero verificarsi danni.

Posizione iniziale

La montatura si trova in posizione di riposo quando la barra di contrappeso è rivolta verso il basso, e il telescopio punta lungo l'asse polare della montatura, come illustrato nella (Figura 7). Gli interruttori interni della montatura la posizioneranno a riposo dopo l'accensione (per ulteriori informazioni cfr. "Funzioni di base"); sarà comunque possibile posizionare manualmente la montatura prima dell'accensione. E' sufficiente sbloccare le due leve di blocco.



Figura 7 Telescopio in posizione iniziale

Funzioni di Base

Con la montatura assemblata e allineata polarmente, procedere alla sua messa in servizio:

Accendere la montatura

La montatura CGX può essere alimentata tramite l'adattatore per batterie auto in dotazione con una batteria da 12VDC in grado di fornire almeno 4 ampere di corrente. Oppure si può utilizzare l'adattatore CA opzionale che fornisce 12VDC e 4 ampere di corrente. Celestron mette a disposizione alimentatori CA con connettori cilindrici filettati.

Posizione iniziale e Informazioni sul sito

1. Collegare la pulsantiera NexStar+ in dotazione ad una delle porte Aux. È possibile collegarla a Aux 1 o Aux 2.
2. Collegare il cavo di alimentazione alla porta di tensione di alimentazione sulla montatura. Assicurarsi di fissare il cavo di alimentazione al connettore cilindrico filettato.
3. Accendere l'unità.
4. Quando sulla pulsantiera si visualizza "CGX Pronto", premere INVIO due volte. La montatura procederà a portarsi sulla posizione iniziale dell'interruttore.
5. Selezionare City Database o Custom Site.
 - In City Database, selezionare la città più vicina alla propria posizione.
 - Se si sceglie Custom Site, sarà necessario inserire longitudine, latitudine e fuso orario della propria posizione.
6. Una volta che la posizione è selezionata, impostare la data e l'ora. Il CGX ha un orologio in tempo reale (RTC) che memorizza la data, l'ora e le informazioni sulla posizione per il prossimo utilizzo della montatura.

Allineamento

Prerequisito: La montatura deve essere allineata polarmente in maniera parziale, con la data, l'ora e le informazioni sulla posizione inserite correttamente, come descritto nel punto precedente.

1. Per ottenere i migliori risultati di allineamento, scegliere Two Star Align e premere INVIO.

Si può scegliere anche Solar System, One Star, Last Align, o Quick Align. I tasti di scorrimento 6 e 9 sulla tastiera vengono utilizzati per scorrere qualsiasi selezione elenco sulla pulsantiera.

2. Selezionare la prima stella dall'apposito elenco delle stelle. Utilizzare i tasti di scorrimento 6 (su) e 9 (giù) sulla tastiera per selezionare i nomi delle stelle. Si tratta delle stelle più luminose e più facili da trovare. Premere INVIO dopo aver selezionato una stella adatta. Se la montatura è allineata polarmente in maniera parziale, essa ruoterà verso la posizione approssimativa della stella.

La selezione predefinita di stelle si trova sul lato ovest del meridiano. Se il cielo è ostruito ad Occidente o si desidera scegliere stelle sul lato est del meridiano, premere il tasto MENU sulla tastiera.

3. Utilizzando i tasti di direzione, ruotare il telescopio verso la stella selezionata e centrarla nel mirino, quindi premere INVIO.

La montatura regolerà automaticamente la velocità del motore per mettere a fuoco.

4. Utilizzando i tasti di direzione, mettere a fuoco la stella nell'oculare del telescopio e premere ALLINEA.
5. Selezionare una seconda stella dalla lista e ripetere la procedura dalla fase 2 al 4. Quando viene richiesto di aggiungere una stella di calibrazione, è possibile premere il tasto INDIETRO per completare l'allineamento, o per risultati ottimali, procedere ad aggiungerla.

Per ottenere i migliori risultati, aggiungere almeno una stella di calibrazione. Ciò migliorerà la precisione di puntamento della montatura.

6. Quando viene richiesto di "aggiungere stella di calibrazione", scegliere una stella dalla lista e premere INVIO. La montatura si sposterà verso l'altro lato del meridiano per aggiungere la stella di calibrazione.
7. Centrare ed allineare la stella così come avete fatto con le prime due stelle di allineamento: Centrato il mirino, premere INVIO; centrare la stella nel proprio oculare, quindi premere ALLINEARE.
8. Quando viene richiesto di aggiungere un'altra stella di calibrazione, è possibile continuare ad aggiungere altre, o premere INDIETRO per completare l'allineamento.

Selezione di oggetti

Selezionare dal database degli oggetti classificati per Sistema Solare, stelle, o Profondo Cielo. All'interno di questi menu (con i tasti numerici 1, 2, e 3, è possibile selezionare per nome dell'oggetto o numero di catalogo popolare (quale, M42 per Messier 42).

I tasti 6 e 9 (su e giù) permettono di scorrere qualsiasi elenco nella pulsantiera. Premere INVIO per passare all'oggetto selezionato nella lista.

Esempio di selezione e di rotazione verso l'oggetto del profondo cielo Messier M42:

- Premere la funzione PROFONDO CIELO poi INVIO
- Scorrere verso il basso (tastierino 9) per Messier e premere INVIO
- Premere "0-4-2" sulla tastiera e premere INVIO

La funzione SkyTour (tastierino 5) rappresenta un ottimo modo per esplorare il cielo senza consultare una mappa stellare. La funzione Tour genererà un elenco degli oggetti più interessanti da osservare per fuso orario e posizione geografica.

Allineamento Polare della Montatura

Il comando computerizzato Vai-a è in grado di individuare gli oggetti, anche se la montatura non è perfettamente allineata al polo. Tuttavia, allineamento polare è necessario per raggiungere una migliore precisione di tracciamento della montatura. Ed è essenziale per la fotografia astronomica. Quando è ben allineata all'asse polare, la montatura equatoriale traccia il cielo in un unico movimento, mantenendo l'oggetto al centro dell'oculare o fotocamera.

Il sistema di allineamento polare di CGX si compone di un regolatore per l'altitudine ed uno per l'azimut (Figura 8).

Celestron mette a disposizione un cannocchiale polare opzionale, che si attacca alla montatura. Il cannocchiale polare opzionale non passa attraverso l'asse di ascensione retta perché quella zona è utilizzata per il cablaggio interno. Se non si utilizza il cannocchiale polare opzionale, è possibile ottenere un allineamento polare parziale osservando nel mirino del telescopio, e regolando la montatura fino a centrare la Stella polare dall'oculare del telescopio. Ciò ti porterà entro circa tre quarti di grado all'interno del Polo Nord Celeste (NCP).

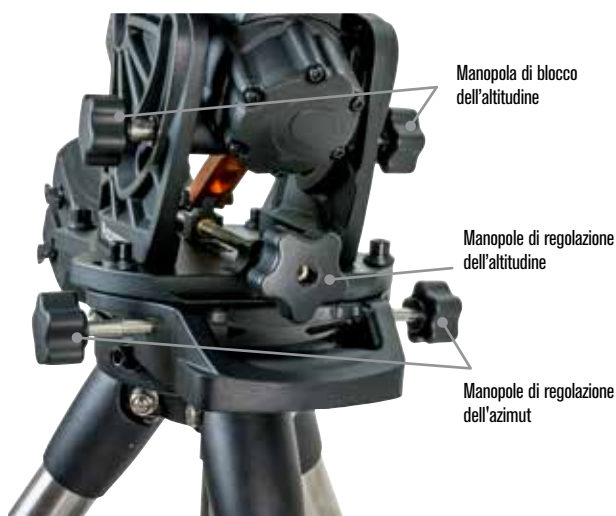


Figura 8 Regolazione allineamento polare

Allineamento Polare di Precisione

L'allineamento polare totale Celestron consente l'allineamento polare di precisione della montatura senza l'utilizzo della Stella polare o cercatore polare. L'allineamento polare guidato dal software consente di scegliere la stella più adatta.

Prerequisito: Il CGX deve essere allineato a due stelle, ad una stella, o al Sistema solare.

1. Selezionare la stella luminosa adatta dal database della pulsantiera NexStar. Ruotare il telescopio verso la stella.
2. Premere il tasto ALLINEA. Selezionare "Allineamento polare", quindi "Allineare montatura" dalla lista.
3. Il telescopio sarà poi ruotato nuovamente verso la stella di allineamento e vi chiedo di centrarlo nell'oculare al fine di "sincronizzarlo" sulla stella.
4. Premere Allineare ed il telescopio ruoterà verso la posizione della stella se fosse allineata al polo con precisione.
5. Utilizzare le regolazioni di altitudine e azimut della montatura per posizionare la stella al centro dell'oculare. Non utilizzare i tasti direzionali sulla pulsantiera per centrare la stella.
6. Premere Invio. L'allineamento polare è stato completato.

Raggio di Movimento Sulla Montatura

Raggio Software

Il CGX impiega sensori di limite controllati da software che rilevano quando la montatura sta per raggiungere il limite del cambio meccanico. Una volta che la montatura raggiunge l'interruttore, il motore decelera fino all'arresto e apparirà un messaggio di avviso "Finecorsa". La montatura non ruoterà oltre nella direzione del finecorsa fino a quando la direzione non verrà invertita.

Cambio meccanico

Il CGX utilizza il cablaggio interno in modo che la montatura è progettata per non muoversi oltre un dato raggio. Entrambi gli assi sono limitati da un punto di arresto integrato nella montatura. Questo limite radiale può anche aiutare a prevenire le interferenze non intenzionali tra il telescopio e la montatura o treppiede. Se per qualsiasi motivo la montatura supera il finecorsa software (o se la frizione è sbloccata e la montatura viene spostata manualmente), essa si fermerà al punto di arresto.

Il limite AR (Figura 9.1) consente di tracciare 20° al di là del meridiano. Se si lascia la montatura incustodita durante la tracciatura, essa si fermerà automaticamente prima di raggiungere il punto di arreso meccanico.

Il limite DEC (Figura 9.2) contiene raggio di rotazione sufficiente per raggiungere qualsiasi parte del cielo.



Figura 9.1 Un lato del limite meccanico di AR



Figura 9.2 Un lato del limite meccanico di DEC

Regolazione della Montatura per Latitudini Molto Alte o Basse

La testa EQ può essere impostata sul treppiede in tre diverse posizioni, le quali possono essere utilizzate anche per ottimizzare l'equilibrio sul treppiede. La montatura è in posizione centrale, operante a latitudini comprese tra 20 e 55°. Se si desidera utilizzare la montatura a latitudini inferiori a 20°, spostare la montatura in avanti, se si desidera utilizzarla sopra i 55°, spostare la montatura all'indietro.

1. Rimuovere la testa dal treppiede togliendo le 3 viti a testa esagonale.
2. Rimuovere con cautela le 8 viti a testa esagonale situate sotto la testa. Al termine, il meccanismo di regolazione dell'altitudine sarà l'unica cosa a fissare la piastra inferiore della testa EQ.
3. Girare la manopola di regolazione dell'altitudine finché i fori filettati sul fondo della montatura siano allineati con la nuova serie di fori presenti sulla piastra inferiore. Far scivolare la piastra in avanti (verso il lato della barra di contrappeso) per utilizzare a latitudini più basse. Far scivolare la piastra all'indietro (verso la manopola di regolazione dell'altitudine) per utilizzare a latitudini più alte (Figura 10).

Porta USB

La porta USB sul CGX viene utilizzata per interfacciarsi con il PC solo per:

1. Usare con il software di controllo del telescopio dedicato.
2. Aggiornare il firmware di controllo del motore sulla montatura.

È sufficiente collegare uno cavo USB standard di tipo A nella porta USB sulla montatura, e collegare al PC. La montatura si installerà automaticamente.

La porta USB sulla montatura non deve essere utilizzata con software di controllo del telescopio ASCOM o terzi. Per controllare la montatura via ASCOM, collegare il PC alla mini porta USB della pulsantiera NexStar+.

Porte Aux

Aux 1 e Aux 2 possono essere utilizzate per la pulsantiera NexStar+, così come per gli accessori opzionali quali il modulo StarSense AutoAlign e SkyPortal WiFi.

Porta Autoguida

La porta autoguida deve essere utilizzata solo per i relè autoguida della telecamera.

ATTENZIONE: Non collegare mai la pulsantiera NexStar+ o altro accessorio alla porta autoguida. Rischio di danni.



POSIZIONE DI PREDEFINITO



POSIZIONE INDIETRO



POSIZIONE AVANTI

Figura 10 Modifica della posizione della montatura sulla testa del treppiede

Controllo Manuale NexStar+

- Finestra del display a cristalli liquidi (LCD):** Retroilluminazione rossa per una comoda visualizzazione notturna delle informazioni relative al telescopio e per il testo a scorrimento. Rimuovere il nastro protettivo trasparente dallo schermo prima dell'uso.
- Allinea:** Fornisce istruzioni al telescopio per avviare la procedura di allineamento predefinita. È inoltre utilizzato per selezionare una stella o un oggetto come posizione di allineamento.
- Tasti direzionali:** Consente il controllo completo del proprio telescopio in qualsiasi direzione. Utilizzare i tasti direzionali per centrare gli oggetti nell'oculare o per ruotare manualmente il telescopio.
- Tasti Catalogo:** Consentono l'accesso diretto a ognuno dei cataloghi principali presenti nel database con migliaia di oggetti.

Il telescopio contiene nel proprio database i seguenti cataloghi:

- **Sistema solare-** Tutti i 7 pianeti presenti nel nostro sistema solare più la Luna, il Sole e Plutone.
 - **Stelle-** elenchi personalizzati di tutte le stelle, le stelle doppie, le stelle variabili, le costellazioni e gli asterismi più luminosi.
 - **Profondo Cielo-** Elenchi personalizzati di tutte le migliori galassie, nebulose e ammassi stellari nonché gli oggetti Messier e NGC selezionati completi.
- Identifica:** Consente di cercare nel database del telescopio e visualizza il nome e la distanza degli oggetti corrispondenti più vicini.
 - Menu:** Visualizza le funzioni di configurazione e di utilità, quali la velocità di tracciabilità, gli oggetti definiti dall'utente e altro.
 - Opzione (Logo Celestron):** Funziona in modo simile ai tasti SHIFT di una tastiera e può essere utilizzato in combinazione con altri tasti per accedere a funzionalità e funzioni più avanzate da aggiungere con altri aggiornamenti del firmware.
 - Invio:** Il tasto INVIO consente di selezionare qualsiasi funzione del telescopio, di accettare i parametri immessi e di ruotare il telescopio verso gli oggetti visualizzati.
 - Indietro:** Il tasto INDIETRO farà uscire l'utente dal menu corrente e visualizzerà il livello precedente del percorso del menu. Premere INDIETRO ripetutamente per andare al menu principale oppure per cancellare i dati inseriti per sbaglio.
 - Sky Tour:** consente di attivare la modalità Tour, la quale cerca tutti i migliori oggetti nel cielo e ruota automaticamente il telescopio nella loro direzione.
 - Tasti di scorrimento:** Utilizzare per scorrere verso l'ALTO e il BASSO qualsiasi elenco del menu. Un simbolo raffigurante una doppia freccia sul lato destro dello schermo LCD indica che i tasti di scorrimento possono essere utilizzati per visualizzare informazioni aggiuntive. I tasti hanno una forma con bordi marcati per rendere più semplice la loro individuazione senza guardare.



Figura 11



Figura 11,2

- Velocità del motore:** Simile al tasto Rate (velocità) sulla pulsantiera NexStar originale, consente di modificare la velocità del motore una volta premuti i tasti direzionali.
- Info Oggetto:** consente di visualizzare le coordinate e le informazioni importanti relative agli oggetti selezionati dal database del telescopio.
- Mini Porta Usb (cavo non incluso):** Si collega al PC per controllare il telescopio via desktop o per eseguire gli aggiornamenti del firmware.
- Menu Help:** Nei futuri aggiornamenti del firmware, questo tasto offrirà suggerimenti per la risoluzione dei problemi. Per comodità, attualmente funziona come collegamento rapido al Catalogo Messier.

Selezione di un oggetto

Una volta allineato correttamente il telescopio, è possibile selezionare un oggetto da uno qualsiasi dei cataloghi presenti nel database del controllo manuale NexStar+. La pulsantiera dispone di un tasto dedicato per ciascuna categoria di oggetti nel database: oggetti del Sistema solare, Stelle e oggetti del profondo cielo.

- **Sistema Solare** – Il catalogo del Sistema solare visualizzerà tutti i pianeti (e la Luna) presenti nel nostro Sistema Solare che sono attualmente visibili nel cielo. Per consentire che il Sole sia visualizzato come opzione nel database, vedere l'opzione Consenti Sole nella sezione di Configurazione del database nel manuale.
- **Stelle** – Il catalogo delle stelle visualizza un elenco personalizzato di tutte le stelle, le stelle doppie (binarie), le stelle variabili, le costellazioni e asterismi più luminosi.
- **Profondo cielo:** il catalogo del Profondo Cielo visualizza un elenco di tutte le migliori Galassie, Nebulose e Ammassi, nonché oggetti del catalogo Messier e una selezione di oggetti del catalogo NGC. Vi è inoltre un elenco alfabetico di tutti gli oggetti del profondo cielo ordinati secondo il relativo nome comune.

Utilizzare i tasti di scorrimento per scorrere i cataloghi e trovare l'oggetto che si desidera visualizzare. Durante lo scorrimento di un lungo elenco di oggetti, tenere premuto il tasto SU o il tasto GIÙ per scorrere il catalogo nella relativa direzione a una velocità più elevata.

Rotazione verso un oggetto

Una volta che l'oggetto desiderato sarà visualizzato sullo schermo della pulsantiera, vi sono due opzioni:

- **Premere il tasto INFO OGGETTO.** Ciò fornirà informazioni utili in merito all'oggetto selezionato, quali grandezza, costellazione e informazioni estese in merito agli oggetti più popolari.
 - Utilizzare i tasti freccia SU/GIÙ per scorrere lungo le informazioni dell'oggetto visualizzato.
 - Utilizzare il tasto INDIETRO per tornare al database.
- **Premere il tasto INVIO.** Ciò farà ruotare automaticamente il telescopio alle coordinate dell'oggetto visualizzato sulla pulsantiera. Mentre il telescopio è in fase di rotazione verso l'oggetto, l'utente può ancora avere accesso a molte delle funzioni del controllo manuale (quali la visualizzazione delle informazioni in merito all'oggetto).

NOTA: I cataloghi Messier, NGC e SAO richiedono all'utente di inserire una designazione numerica. Una volta selezionato il tasto del catalogo appropriato e selezionato il catalogo Messier, NGC o SAO, si vedrà un cursore lampeggiante ad indicare l'accesso alla modalità di immissione numerica.

Digitare il codice dell'oggetto che si desidera visualizzare. Premere INVIO per comandare al telescopio di ruotare verso l'oggetto, oppure tenere premuto il tasto OPZIONE (logo Celestron) e premere il tasto INFO OGGETTO per vedere le informazioni relative all'oggetto selezionato.

ATTENZIONE: *mai far ruotare il telescopio mentre qualcuno sta guardando nell'oculare. Il telescopio può spostarsi a velocità di rotazione elevate e può colpire un osservatore nell'occhio.*

Tasto Velocità motore

Il tasto MOTOR SPEED (VELOCITÀ MOTORE), simile al tasto Rate (Velocità) del controllo manuale NexStar originale, consente di modificare istantaneamente la velocità dei motori da alta velocità di rotazione a velocità di guida precisa o in qualsiasi intervallo intermedio. Ciascuna velocità corrisponde a un numero sul tastierino della pulsantiera. Il tasto numero 9 è la velocità più elevata (circa 3,5° al secondo, a seconda della montatura) ed è utilizzato per la rotazione da un oggetto all'altro e per individuare le stelle di allineamento. Il tasto 1 corrisponde alla velocità più bassa (metà sidereo) ed è utilizzato per centrare in modo preciso gli oggetti nell'oculare.

Per modificare la velocità dei motori:

- Premere il tasto VELOCITÀ MOTORE sulla pulsantiera. Lo schermo LCD visualizzerà la velocità corrente del motore
- Premere il numero sulla pulsantiera che corrisponde alla velocità desiderata.

La pulsantiera dispone di una funzione "doppio tasto" che consente di aumentare istantaneamente la velocità dei motori senza dover scegliere una velocità. Per utilizzare questa funzione, premere semplicemente il tasto a freccia che corrisponde alla direzione verso cui si intende spostare il telescopio. Mentre si tiene premuto tale tasto, premere il tasto direzionale opposto. Ciò aumenterà la velocità alla massima velocità di rotazione.

Durante l'utilizzo dei tasti direzionali su e giù del controllo manuale, le velocità di rotazione inferiori (6 e inferiori) spostano i motori nella direzione opposta rispetto alle velocità di rotazione superiori (7-9). Ciò viene fatto in modo che un oggetto si sposti nella direzione appropriata mentre si guarda nell'oculare (ad es. premere la freccia in alto sposterà la stella nella parte superiore del campo di visualizzazione dell'oculare). Tuttavia, in caso si usi una qualsiasi delle velocità di rotazione inferiori (velocità 6 e inferiori) per centrare un oggetto in StarPointer, potrebbe essere necessario premere il tasto direzionale opposto per far sì che il telescopio si sposti nella direzione corretta.

Menu della pulsantiera

Il menu "Pulsantiera" consente di personalizzare determinate funzioni sulla pulsantiera NexStar+. Per accedere a questo menu, premere il tasto MENU (n. 7 sul tastierino) e utilizzare i tasti di scorrimento per selezionare "Controllo manuale" e premere INVIO. Utilizzare i tasti di scorrimento per selezionare tra le seguenti opzioni:

- **Controllo luci:** Regola indipendentemente la luminosità del tastierino numerico e dello schermo LCD.
- **Menu Scorrimento:** Regola la velocità di scorrimento delle parole sullo schermo LCD.
- **Attiva/disattiva grassetto:** Modifica il formato del carattere visualizzato sullo schermo LCD da normale a grassetto.
- **Imposta contrasto:** Utilizzare i tasti di scorrimento per regolare il contrasto dello schermo LCD.
- **Imposta lingua:** Modifica la lingua visualizzata sullo schermo LCD.

NOTA: La funzione Imposta lingua può anche apparire la prima volta che si utilizza il nuovo controllo manuale. È anche possibile avviarla in qualsiasi momento tenendo premuto il tasto Opzione (con il logo Celestron) per 10 secondi durante l'accensione del telescopio.

Procedure di allineamento

Affinché il telescopio possa puntare precisamente gli oggetti nel cielo, esso deve prima allinearsi con posizioni note (stelle) nel cielo. Con questa informazione, il telescopio può creare un modello del cielo, che utilizzerà per individuare qualsiasi oggetto con coordinate note. Esistono molti modi per allineare il proprio telescopio con il cielo, a seconda delle informazioni che l'utente è in grado di fornire:

- **L'Allineamento a due stelle** utilizza le informazioni di ora/posizione inserite e consente all'utente di selezionare due stelle di allineamento verso le quali il telescopio ruoterà automaticamente.
- **L'Allineamento a una stella** utilizza le stesse informazioni di ora/posizione ma utilizza solamente una stella per l'allineamento.
- **L'Allineamento con il Sistema Solare** visualizzerà un elenco degli oggetti diurni visibili (pianeti e la Luna) disponibili per allineare il telescopio.
- **L'Allineamento rapido** chiederà di inserire le stesse informazioni richieste per la procedura di Allineamento a due stelle. Tuttavia, al posto di ruotare verso le stelle di allineamento per la procedura di centratura e allineamento, il telescopio salta questo passaggio e crea semplicemente un modello del cielo sulla base delle informazioni fornite.
- **L'Ultimo allineamento** ripristina l'ultimo allineamento stellare salvato e passa a quella posizione. L'Ultimo allineamento serve anche come una buona salvaguardia in caso il telescopio dovesse perdere potenza.

Allineamento a due stelle

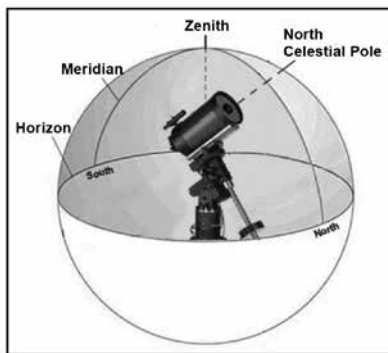
L'Allineamento a due stelle consente all'utente di selezionare due stelle su cui allineare il telescopio. Per allineare il telescopio con il metodo Allineamento a 2 Stelle:

1. Selezionare Allineamento a due stelle dalle opzioni di allineamento fornite. Sulla base delle informazioni di data e ora inserite, la pulsantiera selezionerà automaticamente e visualizzerà una stella luminosa sopra l'orizzonte.
 - Premere INVIO per selezionare questa stella come prima stella di allineamento.
 - Se per qualsiasi ragione la stella scelta non è visibile (magari perché si trova dietro a un albero o a un edificio), premere INDIETRO per far selezionare automaticamente al controllo manuale la successiva stella più luminosa.
 - Oppure è possibile utilizzare i tasti Su/Giù per scorrere l'intero elenco delle Stelle aventi un nome e selezionarne una qualsiasi tra più di duecento stelle di allineamento.
2. Una volta il telescopio avrà terminato la rotazione verso la prima stella di allineamento, lo schermo richiederà di utilizzare i tasti freccia per allineare la stella selezionata con il reticolo al centro del cercatore di stelle. Una volta centrata nel cercatore, premere INVIO. Lo schermo fornirà quindi istruzioni per centrare la stella nel campo visivo dell'oculare. Una volta centrata la stella, premere ALLINEA per accettare questa stella come prima stella di allineamento.
3. Una volta inserita la prima stella di allineamento, la pulsantiera selezionerà automaticamente una seconda stella di allineamento e sarà quindi necessario ripetere questa procedura per tale stella. Una volta allineato il telescopio su entrambe le stelle, lo schermo chiederà se si desidera aggiungere stelle di calibrazione aggiuntive. Le stelle di calibrazione sono utilizzate per migliorare la precisione di puntamento del telescopio compensando i sottili disallineamento opto-meccanici tra l'ottica del telescopio e la montatura. Pertanto, è solitamente consigliabile aggiungere almeno una stella di calibrazione aggiuntiva per migliorare la precisione di puntamento a tutto cielo della montatura.
4. Premere INVIO per selezionare una stella di calibrazione. Selezionare una stella allo stesso modo in cui si sono selezionate le prime due stelle di allineamento e premere INVIO. Si noterà che tutte le stelle di calibrazione visualizzate sono posizionate sul lato opposto del lato del cielo (meridiano) come le stelle di allineamento originali. Questo è essenziale per una calibrazione precisa della montatura. Da ultimo, è possibile scegliere di continuare ad aggiungere stelle di calibrazione aggiuntive, oppure premere INDIETRO per completare l'allineamento.

Nota: Filtraggio Est/Ovest – Al fine di garantire la precisione di puntamento a tutto cielo migliore possibile, la montatura computerizzata filtra e sceglie automaticamente le stelle di allineamento iniziali in modo che le prime due stelle di allineamento siano posizionate su un lato del meridiano e le eventuali stelle di calibrazione siano sul lato opposto del meridiano, secondo quanto indicato dalle lettere "W" o "E" visualizzate nell'angolo in alto a destra dello schermo LCD. Il filtraggio Est/Ovest può essere modificato semplicemente premendo il tasto MENU in qualsiasi momento durante il processo di allineamento.

Suggerimenti per l'aggiunta delle stelle di calibrazione:

- Sebbene per l'osservazione causale non sia necessario aggiungere stelle di calibrazione, si consiglia di aggiungere almeno tre stelle di calibrazione per una precisione di puntamento ottimale.
- La scelta di stelle di calibrazione che siano vicine all'equatore celeste offre i migliori risultati rispetto alla scelta di stelle vicino ai poli celesti.
- Sebbene non sia necessario utilizzare le stelle di calibrazione se la montatura del telescopio non è stata spostata dall'allineamento/calibrazione originaria, potrebbe essere necessario ricalibrare il telescopio se il tubo ottico è stato rimosso per qualsiasi ragione.



Nota: Meridiano – il meridiano è una linea immaginaria nel cielo che inizia dal Polo Nord celeste e termina al Polo Sud celeste passando attraverso lo zenit. Se si è rivolti verso sud, il meridiano inizia dall'orizzonte sud e passa direttamente sopra la testa fino al Polo Nord celeste.

Allineamento rapido

L'Allineamento rapido utilizza tutte le informazioni di data e ora inserite all'avvio per allineare il telescopio. Tuttavia, al posto di ruotare verso le stelle di allineamento per la procedura di centratura e allineamento, il telescopio salta questo passaggio e crea semplicemente un modello del cielo sulla base delle informazioni fornite. Ciò consentirà all'utente di ruotare grossolanamente verso le coordinate di oggetti luminosi quali la Luna e i pianeti e fornisce al telescopio le informazioni necessarie per tracciare gli oggetti in qualsiasi parte del cielo (a seconda della precisione dell'allineamento polare). L'Allineamento rapido non è destinato a essere usato per individuare con precisione oggetti del profondo cielo piccoli o deboli o per tracciare precisamente gli oggetti per l'acquisizione di immagini astrali.

Per utilizzare l'Allineamento rapido, selezionare semplicemente Allineamento rapido dalle opzioni di allineamento e premere INVIO. Il telescopio utilizzerà automaticamente i parametri di data/ora inseriti per allinearsi con il cielo e visualizzare la dicitura "Allineamento riuscito".

Nota: Una volta terminato l'Allineamento Rapido, è possibile utilizzare la funzione di Ri-allineamento (vedi sotto) per migliorare la precisione di puntamento del telescopio.

Ultimo allineamento

Il metodo dell'ultimo allineamento richiamerà automaticamente le ultime posizioni di indicizzazioni salvate per continuare a utilizzare l'allineamento che è stato salvato al momento dell'ultimo spegnimento del telescopio. Si tratta di una funzione utile in caso il telescopio avesse un calo di alimentazione o dovesse spegnersi accidentalmente.

Ri-Allineamento

La montatura dispone di una funzione di ri-allineamento che consente di sostituire una qualsiasi delle stelle di allineamento originarie con una nuova stella o oggetto celeste. Ciò può essere utile in varie situazioni:

- Se si esegue un'osservazione in un periodo di qualche ora, è possibile notare che le due stelle di allineamento originarie si sono allontanate in modo considerevole verso ovest. (Si ricorda che le stelle si spostano a una velocità di 15° all'ora). L'allineamento su una nuova stella che si trova sulla parte orientale del cielo migliorerà la precisione di puntamento, specialmente per gli oggetti che si trovano in quella parte del cielo.
- Se si è allineato il telescopio utilizzando il metodo di Allineamento rapido, è possibile utilizzare la funzione di Ri-allineamento per allinearsi su oggetti attuali nel cielo. Ciò migliorerà la precisione di puntamento del telescopio senza dover inserire nuovamente informazioni aggiuntive.
- Se si è utilizzato un metodo di allineamento polare assistito dal computer e si è spostata manualmente la montatura, potrebbe essere necessario ri-allineare la montatura per una migliorata precisione di puntamento.

Per sostituire una stella di allineamento esistente con una nuova:

1. Selezionare la stella desiderata (o l'oggetto) dal database far ruotare verso di essa il telescopio.
2. Centrare con attenzione l'oggetto nell'oculare.
3. Una volta centrato, premere il tasto INDIETRO fino a quando non si arriva al menu principale.
4. Quando viene visualizzata la dicitura CGX Pronto, premere il tasto ALLINEARE sulla pulsantiera per selezionare le Stelle di allineamento dall'elenco delle opzioni.
5. Lo schermo chiederà quindi quale stella di allineamento si desidera sostituire. Utilizzare i tasti di scorrimento Su e Giù per selezionare le stelle di allineamento da sostituire. Normalmente, è meglio sostituire la stella più vicina al nuovo oggetto. Questo distanzierà le stelle di allineamento nel cielo.
6. Premere ALLINEA per effettuare la modifica.

Catalogo degli Oggetti

Selezione di un oggetto

Una volta allineato correttamente il telescopio, è possibile selezionare un oggetto da uno qualsiasi dei cataloghi presenti nel database della pulsantiera NexStar+. La pulsantiera dispone di un tasto dedicato per ciascuna categoria di oggetti nel database: oggetti del Sistema solare, Stelle e oggetti del profondo cielo.

- **Sistema Solare** – Il catalogo del Sistema solare visualizzerà tutti i pianeti (e la Luna) presenti nel nostro Sistema Solare che sono attualmente visibili nel cielo. Per consentire la visualizzazione del Sole come oggetto selezionabile nel database, vedere l'opzione del Menu Sole nel Menu di configurazione del telescopio.
- **Stars (Stelle)** – Il catalogo delle stelle visualizza un elenco personalizzato di tutte le stelle, le stelle doppie (binarie), le stelle variabili, le costellazioni e asterismi più luminosi.
- **Profondo cielo** – Il catalogo del Profondo Cielo visualizza un elenco di tutte le migliori Galassie, Nebulose e Ammassi, nonché oggetti del catalogo Messier e una selezione di oggetti del catalogo NGC. Vi è inoltre un elenco alfabetico di tutti gli oggetti del profondo cielo ordinati secondo il relativo nome comune.

Utilizzare i tasti di scorrimento per scorrere lungo i cataloghi per trovare l'oggetto che si desidera visualizzare.

Durante lo scorrimento di un lungo elenco di oggetti, tenere premuti il tasto SU o il tasto GIÙ consentirà di scorrere il catalogo nella relativa direzione più rapidamente.

Rotazione Verso un Oggetto

Una volta che l'oggetto desiderato sarà visualizzato sullo schermo del controllo manuale, vi sono due opzioni:

- **Premere il tasto OBJECT INFO (INFO OGGETTO).** Ciò fornirà informazioni utili in merito all'oggetto selezionato, quali grandezza, costellazione e informazioni estese in merito agli oggetti più popolari.
 - Utilizzare i tasti freccia **SU/GIÙ** per scorrere lungo le informazioni dell'oggetto visualizzato.
 - Utilizzare il tasto **INDIETRO** per tornare al database degli oggetti.
- **Premere il tasto INVIO.** Ciò farà ruotare automaticamente il telescopio alle coordinate dell'oggetto visualizzato sulla pulsantiera. Mentre il telescopio è in fase di rotazione verso l'oggetto, l'utente può ancora avere accesso a molte delle funzioni del controllo manuale (quali la visualizzazione delle informazioni in merito all'oggetto).

NOTA: I cataloghi Messier, NGC e SAO richiedono all'utente di inserire una designazione numerica. Una volta selezionato il tasto del catalogo appropriato e selezionato il catalogo Messier, NGC o SAO, si vedrà un cursore lampeggiante ad indicare l'accesso alla modalità di immissione numerica. Digitare il codice dell'oggetto che si desidera visualizzare. Premere INVIO per comandare al telescopio di ruotare verso l'oggetto, oppure tenere premuto il tasto

OPTION (logo Celestron) e premere il tasto OBJECT INFO per vedere le informazioni relative all'oggetto selezionato.

ATTENZIONE: mai far ruotare il telescopio mentre qualcuno sta guardando nell'oculare. Il telescopio può spostarsi a velocità di rotazione elevate e può colpire un osservatore nell'occhio.

Tasto SkyTour

La montatura CGX include una funzione tour la quale consente all'utente di scegliere da un elenco di oggetti interessanti in base alla data e all'ora di osservazione. Il tour automatico visualizzerà solamente quegli oggetti che si trovano entro i limiti di filtro impostati per il catalogo. Per attivare la funzione tour, premere il tasto **SKY TOUR** sulla pulsantiera.

1. Premere il tasto **SKY TOUR** sulla pulsantiera.
2. Utilizzare i tasti di **SCORRIMENTO** per selezionare il Meglio di Stanotte.
3. La montatura CGX ruoterà automaticamente in azimut alla posizione iniziale la quale contribuirà a ridurre al minimo la possibilità di attorcigliare il cavo di alimentazione durante il tour.
4. La pulsantiera visualizzerà gli oggetti migliori da osservare attualmente presenti nel cielo.
 - Per vedere le informazioni e i dati relativi all'oggetto visualizzato, premere il tasto **INFO OGGETTO**. Premerlo una volta per visualizzare le coordinate dell'oggetto. Premerlo nuovamente per visualizzare le coordinate dell'oggetto. Premerlo nuovamente per visualizzare il testo. Premere **INDIETRO** per ritornare alla schermata precedente.
 - Per ruotare verso l'oggetto visualizzato, premere **INVIO**.
 - Per vedere l'oggetto successivo del tour, premere il tasto **GIÙ**.

Tasto Identifica

Premere il tasto IDENTIFICA per cercare nei cataloghi del database della montatura e visualizzare il nome e la distanza angolare dagli oggetti corrispondenti più vicini alla posizione corrente del telescopio. Questa funzione può essere utilizzata per due scopi. In primo luogo, può essere utilizzata per identificare un oggetto sconosciuto nel campo visivo dell'oculare. Inoltre, la modalità Identifica può essere utilizzata per trovare altri oggetti celesti che sono vicini agli oggetti attualmente in corso di osservazione.

Per esempio, se il telescopio è puntato verso la stella più luminosa nella costellazione di Lira, scegliere il tasto Identifica ritornerà senza dubbio alla stella Vega come stella di osservazione. Tuttavia, la funzione Identifica cercherà inoltre nei database NGC e del sistema solare e visualizzerà eventuali pianeti oppure oggetti del profondo cielo che sono vicini. Nell'esempio, la Nebulosa Anello (M57) sarebbe visualizzata come a una distanza di 6°.

La luminosità e la vicinanza degli oggetti visualizzati può essere definita dall'utente utilizzando il filtro Identifica nelle Impostazioni del telescopio.

Tasti direzionali

La pulsantiera dispone di quattro tasti direzionali posti al centro di essa, i quali controllano il movimento del telescopio in altitudine (su e giù) e in azimut (sinistra e destra). Il telescopio può essere controllato a nove diverse velocità.

1 = 2x	6 = .3° / sec
2 = 4x	7 = .1° / sec
3 = 8x	8 = .2° / sec
4 = 16x	9 = .4° / sec
5 = 32x	

Tasto Velocità motore

Premere il tasto **VELOCITA' MOTORE** (12) consente di modificare istantaneamente la velocità dei motori da alta velocità di rotazione a velocità di guida precisa o in qualsiasi punto intermedio. Ciascuna velocità corrisponde a un numero sul tastierino della pulsantiera. Il numero 9 è la velocità maggiore (circa 3,5° al secondo, a seconda della fonte di alimentazione) ed è utilizzata per la rotazione tra oggetti e il posizionamento dell'allineamento di stelle. Il tasto numero 1 della pulsantiera è la velocità più bassa (2x siderale) ed è utilizzato per centrare in modo preciso gli oggetti nell'oculare. Per modificare la velocità dei motori:

- Premere il tasto **VELOCITA' MOTORE** sulla pulsantiera. Lo schermo LCD visualizzerà la velocità attuale.
- Premere il numero sulla pulsantiera che corrisponde alla velocità desiderata.

La pulsantiera dispone di una funzione a "doppio tasto" che consente di aumentare istantaneamente la velocità dei motori senza dover scegliere una velocità specifica. Per utilizzare questa funzione, premere semplicemente il tasto a freccia che corrisponde alla direzione verso cui si intende spostare il telescopio. Mentre si preme tale tasto, premere il tasto direzionale opposto. Ciò aumenterà la velocità alla massima velocità di rotazione.

Durante l'utilizzo dei tasti **SU** e **GIÙ** sulla pulsantiera, le velocità di rotazione inferiori (6 e inferiori) spostano i motori nella direzione opposta rispetto alle velocità di rotazione superiori (7-9). Ciò viene fatto in modo che un oggetto si sposti nella direzione appropriata mentre si guarda nell'oculare (ad es., premere la freccia in alto sposterà la stella nella parte superiore del campo di visualizzazione dell'oculare). Tuttavia, se qualsiasi velocità di rotazione inferiore (velocità 6 e inferiore) è utilizzata per centrare un oggetto nello StarPointer, è possibile che sia necessario premere il tasto direzionale opposto per far sì che il telescopio si sposti nella direzione corretta.

Tasto Help

Nei futuri aggiornamenti del firmware, questo tasto offrirà suggerimenti per la risoluzione dei problemi. Per comodità, attualmente funziona come collegamento rapido al Catalogo Messier.

Tasto Menu

La montatura CGX contiene molte funzioni di configurazione personalizzate ideate per dare all'utente il controllo sulle molte funzioni del telescopio. A tutte le funzioni di configurazione e di utilità è possibile accedere premendo il tasto **MENU** e scorrendo le opzioni sottostanti.

Menu Tracciatura

Modalità tracciatura - consente di modificare il modo in cui il telescopio esegue la tracciatura a seconda della tipologia di montatura utilizzata per supportare il telescopio. Il telescopio dispone di tre diverse modalità di tracciatura:

- **Nord EQ** – utilizzata per tracciare il cielo quando il telescopio è allineato con i poli nell'Emisfero settentrionale.
- **Sud EQ** – utilizzata per tracciare il cielo quando il telescopio è allineato con i poli nell'Emisfero meridionale.
- **Off** – quando si usa il telescopio per l'osservazione terrestre (paesaggio), la tracciatura può essere spenta in modo che il telescopio non si muova.

Velocità di tracciatura – oltre a essere in grado di spostare il telescopio con i tasti del controllo manuale, il telescopio tratterà continuamente un oggetto celeste durante il suo spostamento nel cielo notturno. La velocità di tracciatura può essere modificata a seconda del tipo di oggetto in corso di osservazione:

- **Siderale** – Questa velocità compensa la rotazione della Terra spostando il telescopio alla stessa velocità della rotazione terrestre, ma in direzione opposta. Quando il telescopio è allineato polarmente, ciò può essere eseguito spostando il telescopio solamente in ascensione retta.
- **Lunare** – Utilizzata per la tracciatura della Luna durante l'osservazione del paesaggio lunare.
- **Solare** – Utilizzata per la tracciatura del Sole durante l'osservazione solare con il filtro appropriato.

Menu Visualizza ora-posizione

Questo menu visualizza l'ora corrente e la longitudine/latitudine scaricate dal ricevitore GPS opzionale SkySync. Visualizzerà anche altre informazioni rilevanti ora-posizione come il fuso orario, l'ora legale e l'ora locale siderale. L'ora locale siderale (LST) è utile per conoscere l'ascensione retta degli oggetti celestiali che sono situati sul Meridiano a quell'ora. Visualizza ora-posizione visualizzerà sempre l'ora e la posizione inserita salvata più recentemente mentre si collega al GPS. Una volta ricevute le informazioni correnti, aggiornerà le informazioni visualizzate. Se il GPS è spento o non presente, la pulsantiera visualizzerà solamente l'ora e la posizione salvate per ultime.

Menu del Controllo manuale

Il menu "Pulsantiera" consente di personalizzare determinate funzioni sulla pulsantiera NexStar+. Per accedere a questo menu, premere il tasto MENU (n. 7 sul tastierino) e utilizzare i tasti di scorrimento per selezionare "Controllo manuale" e premere INVIO.

Utilizzare i tasti di scorrimento per selezionare tra le seguenti opzioni:

- **Controllo luci:** Regola indipendentemente la luminosità del tastierino numerico e dello schermo LCD.
- **Menu Scorrimento:** Regola la velocità di scorrimento delle parole sullo schermo LCD.
- **Attiva/disattiva grassetto:** Modifica il formato del carattere visualizzato sullo schermo LCD da normale a grassetto.
- **Imposta contrasto:** Utilizzare i tasti di scorrimento per regolare il contrasto dello schermo LCD.
- **Imposta lingua:** Modifica la lingua visualizzata sullo schermo LCD.

NOTA: La funzione *Imposta lingua* può apparire anche al primo utilizzo della pulsantiera. È anche possibile avviarla in qualsiasi momento tenendo premuto il tasto *Opzione* (con il logo *Celestron*) per 10 secondi durante l'accensione del telescopio.

Menu di configurazione

Configurazione ora-posizione – consente all'utente di personalizzare lo schermo del telescopio modificando i parametri di ora e posizione (quali fuso orario e ora legale).

Anti-backlash (Compensazione contraccolpi) –

Tutti gli ingranaggi meccanici hanno una certa quantità di contraccolpi o movimenti tra gli ingranaggi stessi. Questi movimenti sono evidenti per il tempo necessario a una stella per spostarsi nell'oculare una volta premuti i tasti freccia del controllo manuale (specialmente durante i cambiamenti di direzione). La funzione anti-contraccolpo di CGX consente all'utente di compensare i contraccolpi inserendo un valore che sposta velocemente i motori di quel poco che basta per eliminare i movimenti tra gli ingranaggi. La quantità di compensazione necessaria dipende dalla velocità di rotazione selezionata; più bassa è la velocità di rotazione più tempo ci impiegherà la stella a spostarsi nell'oculare. Sono presenti due valori per ogni asse, positivo e negativo:

- Quello positivo è la quantità di compensazione applicata quando si preme il tasto al fine di far muovere rapidamente gli ingranaggi senza una lunga pausa.
- Quello negativo è la quantità di compensazione applicata quando si rilascia il tasto, facendo tornare in motori indietro nella direzione opposta per riprendere la tracciatura.

Normalmente, entrambi i valori dovrebbero essere uguali. Sarà necessario sperimentare i valori diversi (da 0 a 99); un valore tra 20 e 50 è normalmente la soluzione ottimale per la maggior parte delle osservazioni visive, mentre un valore più elevato potrebbe essere necessario per la guida fotografica.

Per impostare il valore anti-contraccolpo, scorrere verso il basso all'opzione anti-contraccolpo e premere INVIO. Mentre si osserva un oggetto nell'oculare, osservare la reattività di ciascuno dei quattro tasti freccia. Notare in quale direzione si osserva una pausa nel movimento della stella dopo aver premuto il tasto. Lavorando con un asse per volta, regolare le impostazioni di contraccolpo a un valore sufficientemente

alto da causare lo spostamento immediato senza comportare un salto pronunciato quando si preme o si rilascia il tasto. Ora, inserire gli stessi valori per entrambe le direzioni positiva e negativa. Se si nota un salto al momento del rilascio del tasto ma l'impostazione di valori inferiori comporta una pausa al premere del tasto, utilizzare il valore più alto per il positivo, ma il valore più basso per il negativo. Il telescopio ricorderà tali valori e li utilizzerà ogni volta che sarà acceso fino alla loro modifica.

Limiti di filtro - Quando un allineamento è completo, il telescopio capisce automaticamente quali oggetti celesti si trovano sopra l'orizzonte. Di conseguenza, quando si scorre lungo gli elenchi del database (oppure si seleziona la funzione *Tour*), la pulsantiera visualizzerà solamente quegli oggetti che sono noti essere sopra l'orizzonte al momento dell'osservazione. È possibile personalizzare il database degli oggetti selezionando i limiti di altitudine appropriati per la propria posizione e situazione. Ad esempio, se si sta osservando da una zona di montagna dove l'orizzonte è parzialmente oscurato, è possibile impostare un limite di altitudine minimo superiore ai 20°. Ciò assicura che la pulsantiera visualizzi solo oggetti che si trovano a un'altitudine superiore ai 20°.

CONSIGLIO: Se si desidera esplorare l'intero database degli oggetti, impostare il limite massimo di altitudine a 90° e il limite minimo a -90°. In questo modo verranno visualizzati tutti gli oggetti presenti negli elenchi del database, a prescindere dalla loro visibilità o meno nel cielo in relazione alla propria posizione.

Tasti direzionali - La direzione in cui appare una stella verso cui spostare l'oculare cambia a seconda del lato del Meridiano su cui si trova il tubo del telescopio. Ciò può creare confusione specialmente quando si guida su una stella o quando si acquisiscono immagini astrali. Per compensare questo problema, la direzione dei tasti del controllo di guida può essere modificata. Per invertire la logica di pulsante del controllo manuale, premere il tasto MENU e selezionare Tasti direzionali dal menu Utilità. Utilizzare i tasti freccia Su e Giù (10) per selezionare sia i tasti dell'azimut (ascensione retta) sia i tasti dell'altitudine (declinazione), quindi premere INVIO. Selezionare sia positivo o negativo per entrambi gli assi e premere INVIO per salvare. Impostare la direzione del tasto azimut in positivo farà spostare il telescopio nella stessa direzione di tracciatura del telescopio (ovvero, verso ovest). Impostare i tasti di altitudine verso positivo sposterà il telescopio in senso antiorario lungo l'asse di DECLINAZIONE.

Approccio VaiA - Consente all'utente di definire la direzione verso cui si dirigerà il telescopio quando ruota verso un oggetto. Ciò consentirà all'utente di ridurre al minimo gli effetti del contraccolpo durante la rotazione da oggetto a oggetto. Proprio come accade per i Tasti direzionali, l'impostazione dell'Approccio VaiA al positivo farà sì che il telescopio si diriga verso un oggetto dalla stessa direzione di tracciatura (ovest) per l'azimut e in senso antiorario per la declinazione. L'approccio VaiA declinazione si applicherà esclusivamente mentre il tubo del telescopio si trova su un lato del meridiano. Una volta che il tubo passerà all'altro lato del meridiano, l'approccio VaiA dovrà essere invertito.

Per cambiare la direzione dell'approccio VaiA, selezionare Approccio VaiA dal menu Impostazioni telescopio, poi l'approccio Altitudine o l'approccio Azimut, ed infine Positivo o Negativo, quindi premere INVIO.

SUGGERIMENTO: Al fine di ridurre al minimo l'effetto di contraccolpo degli ingranaggi sulla precisione di puntamento, le impostazioni per i Tasti direzionali devono idealmente corrispondere alle impostazioni dell'Approccio VaiA. Per impostazione predefinita, i tasti direzionali su e destra per centrare le stelle di allineamento elimineranno automaticamente gran parte del contraccolpo negli ingranaggi. Se si modifica l'approccio VaiA del proprio telescopio, non è necessario modificare anche i Tasti direzionali. Prendere semplicemente nota della direzione in cui si sposta il telescopio al completamento dell'approccio VaiA finale. Se il telescopio si dirige verso la stella di allineamento partendo da ovest (azimut negativo) e in senso orario (altitudine negativa), assicurarsi quindi che i tasti utilizzando per centrare la stella di allineamento si spostino altresì il telescopio nelle stesse direzioni.

Velocità autoguida - consente all'utente di impostare una velocità autoguida come percentuale della velocità siderale. Questo è utile al momento di calibrare il telescopio a una guida automatica CCD per l'acquisizione di immagini astrali a lunga esposizione.

Orientamento OTA (Gruppo tubo ottico) - alcuni utenti potrebbero voler utilizzare un'adattatore a barra doppia opzionale che consente di collegare contemporaneamente due tubi ottici alla montatura. Quando la maggior parte delle barre doppia sono collegate a una montatura, i tubi ottici sono posizionati a un angolo di 90° dalla configurazione standard. Al fine di allineare correttamente la montatura alle stelle, è necessario sapere quale barra doppia si sta utilizzando e in quale direzione il/i tubo/i ottico/i è/sono posizionati (est o ovest) al momento dell'inizio dell'allineamento. L'opzione doppia deve essere impostata prima di iniziare qualsiasi allineamento di stelle iniziale. Per impostare quest'opzione, andare al menu Configurazione, selezionare l'opzione Doppia e premere INVIO. Quindi selezionare una delle seguenti opzioni:

- **Est** – se i tubi ottici collegati sono rivolti verso est; quando i segni di indicizzazione della declinazione sono allineati, selezionare Est.
- **Ovest** – se i tubi ottici collegati sono rivolti verso ovest; quando i segni di indicizzazione della declinazione sono allineati, selezionare Ovest.
- **Normale** – se la barra doppia non è più in uso, selezionare "normale" per spegnere questa funzione.

Meridiano - questa funzione fornisce istruzioni alla montatura su come rispondere quando ruota verso oggetti accessibili da entrambi i lati del meridiano. La funzione Meridiano consente al tubo del telescopio di rimanere su un lato desiderato della montatura durante la rotazione, e di continuare a tracciare in base ai limiti di rotazione di A.R. che l'utente ha impostato. Cfr. Limiti AR sotto. La funzione Meridiano consente quattro opzioni:

- **Favorire Corrente** – consente alla montatura di favorire qualsiasi lato della montatura che sia attualmente

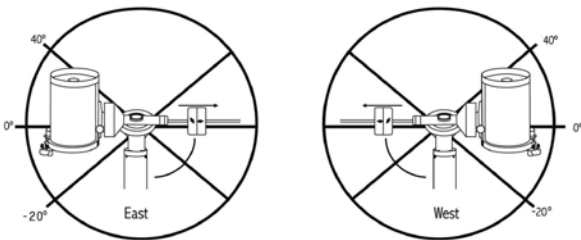
montato al momento della rotazione degli oggetti vicino al meridiano. Per esempio, se i limiti di rotazione dell'AR sono impostati per consentire alla montatura di eseguire la tracciatura di 10° oltre al meridiano, allora il telescopio continuerà a rimanere sul lato corrente del meridiano al momento della rotazione verso oggetti che sono distanti 10° oltre il meridiano.

- **Favorire l'Ovest** – se l'oggetto obiettivo è accessibile da entrambi i lati della montatura, selezionando "Favorire l'Ovest" si istruisce la montatura a puntare l'oggetto come se fosse sul lato ovest del meridiano. Il tubo ottico si posizionerà quindi sul lato est della montatura puntando verso ovest.
 - **Favorire l'Est** – se l'oggetto obiettivo è accessibile da entrambi i lati della montatura, selezionando "Favorire l'Est" si istruisce la montatura a puntare l'oggetto come se fosse sul lato est del meridiano. Il tubo ottico si posizionerà quindi sul lato ovest della montatura puntando verso est.
 - **Disabilita** – questa è l'impostazione predefinita, che fornisce istruzioni alla montatura per oscillare sempre verso l'altro lato del pilastrino secondo quanto richiesto per visualizzare oggetti sul lato opposto del meridiano. Tuttavia, una volta raggiunto l'oggetto desiderato, la montatura continuerà a eseguire la tracciatura oltre il meridiano, in base ai limiti di rotazione della A.R. impostati.
- Impostazioni della montatura** - una volta calibrate le impostazioni della montatura (vedere la sezione Utilità qui di seguito) i valori sono salvati e visualizzati nel controllo manuale. Non si consiglia di modificare i valori di calibrazione. Tuttavia ciascuna impostazione può essere modificata se necessario per migliorare le prestazioni del telescopio.
- **Valore Cono** – questo è il valore di errore del cono impostato quando viene selezionato Utilità/Calibra montatura/ Interruttore DEC – Cono.
 - **Indice DEC** – si tratta del valore di errore di indicizzazione della declinazione che è salvato al momento dell'aggiunta di stelle di calibrazione dopo l'allineamento di stelle iniziale.
 - **A.R. Indice** – questo è il valore di errore di indicizzazione della A.R. impostato quando viene selezionato Utilità/Calibra montatura/ Interruttore A.R.

Limiti dell'AR - imposta i limiti entro i quali il telescopio può ruotare o eseguire la tracciatura in Ascensione retta (A.R.) prima di arrestarsi. I limiti di rotazione sono rappresentati in gradi e per impostazione predefinita sono impostati a 0° essendo la posizione del telescopio quando la barra di contrappeso è estesa orizzontalmente. Tuttavia, i limiti di rotazione possono essere personalizzati a seconda delle esigenze. Per esempio, se si sta utilizzando l'attrezzatura per immagini CCD che dispone di cavi non sufficientemente lunghi da spostarsi con il telescopio man mano che ruota nel cielo, è possibile regolare i limiti di rotazione sul lato della montatura che è limitata dai cavi, e comandare la montatura di interrompere la rotazione prima di raggiungere tale punto. Oppure, se si sta acquisendo un'immagine di un oggetto che ha appena valicato il meridiano, è possibile impostare il limite per consentire alla montatura di continuare a eseguire la tracciatura nella stessa direzione oltre al meridiano senza la necessità di "capovolgere" il telescopio sul lato opposto

della montatura (vedere la funzione meridiano di cui sopra). Utilizzando il primo esempio di cui sopra, l'utente potrebbe spostare il telescopio in A.R. (azimut) fino al punto di massima estensione dei cavi. Quindi, visualizzando l'azimut del telescopio in questa posizione (guardando Ottieni posizione asse al menu Utilità), è possibile determinare l'azimut del telescopio nella sua posizione più estesa. Inserire questa lettura azimut per entrambi i limite di rotazione massimo o minimo dell'azimut per garantire che il telescopio non ruoti oltre tale punto. I limiti di rotazione del telescopio possono essere impostati per arrestarsi automaticamente in qualsiasi punto tra i 40° sopra il livello e i 20° sotto il livello. Per impostare i limiti di rotazione A.R. selezionare quanto segue:

- **Limiti Est dell'A.R.** – Inserire un numero compreso tra +40° e -20° per definire il limite di rotazione quando il tubo si trova sul lato est della montatura.
- **Limiti Ovest dell'A.R.** – Inserire un numero compreso tra +40° e -20° per definire il limite di rotazione quando il tubo si trova sul lato ovest della montatura.
- **Disabilita limiti** – questo disabilita eventuali valori predefiniti che sono stati inseriti e consente alla montatura di eseguire la tracciatura per la quantità massima oltre il meridiano (ovvero, -20° su entrambi i lati).



AVVERTENZA: Affinché il telescopio sia in grado di ruotare in direzione di una stella nella direzione che riduce al minimo la quantità di contraccolpi negli ingranaggi, potrebbe essere necessario far ruotare il telescopio oltre il limite di rotazione specificato al fine di raggiungere la stessa dalla direzione corretta. Questo può limitare la capacità di rotazione verso un oggetto di almeno 6° dal limite di rotazione della A.R. impostato nel controllo manuale. Se ciò dovesse rivelarsi un problema, la direzione che il telescopio segue per centrare un oggetto può essere modificata. Per modificare la direzione di rotazione del telescopio, vedere *Approccio VaiA al menu Configurazione*.

Velocità personalizzata 9 - Consente all'utente di personalizzare la velocità con cui la montatura ruota verso l'obiettivo. È possibile impostare gli assi di A.R. e Dec individualmente.

Menu Utilità

Scorrendo lungo le opzioni del MENU (9) si accederà anche a varie funzioni di utilità avanzate per il telescopio quali: Calibra montatura, ibernazione e molte altre.

Calibra montatura - al fine di ottimizzare le prestazioni e la precisione di puntamento del telescopio, la montatura è dotata di routine di calibrazione integrate che le consentono di compensare le variazioni meccaniche inerenti a ogni montatura equatoriale alla tedesca. Ogni calibrazione è completamente automatica e nella maggior parte dei casi è necessario eseguirla solamente una volta. Si consiglia caldamente di impiegare qualche minuto per leggere le procedure di calibrazione della montatura.

- **Interruttore A.R.** - Questa procedura registra l'errore di offset quando il segno di indicizzazione dell'ascensione retta è allineato all'avvio. Calibrare l'indice di A.R. migliorerà la precisione degli allineamenti di stelle iniziali al momento dell'allineamento futuro del telescopio.
- **Calibrazione VaiA** – Si tratta di uno strumento utile al momento del collegamento di pesanti accessori visivi o fotografici al telescopio. La Calibrazione VaiA calcola la quantità di distanza e il tempo impiegato dalla montatura per completare la sua rotazione VaiA finale quando ruota verso un oggetto. Modificando il bilanciamento del telescopio è possibile prolungare il tempo impiegato per completare la rotazione finale. La Calibrazione VaiA tiene in considerazione eventuali leggeri squilibri e modifiche da compensare nella distanza VaiA finale.

Posizione iniziale – La posizione "iniziale" del telescopio è una posizione definibile dall'utente utilizzata per conservare il telescopio quando non è in uso. La posizione iniziale è utile al momento della conservazione del telescopio in una struttura di osservazione permanente. Per impostazione predefinita, la posizione iniziale è uguale alla posizione di indicizzazione utilizzata al momento dell'allineamento della montatura.

Per impostare la posizione iniziale della montatura, utilizzare semplicemente i tasti freccia sulla pulsantiera per spostare la montatura del telescopio alla posizione desiderata. Selezionare l'opzione Imposta e premere Invio.

Selezionare l'opzione VaiA per ruotare il telescopio alla posizione iniziale in qualsiasi momento.

Impostazioni di fabbrica - Ripristina la pulsantiera alle impostazioni di fabbrica originali. I parametri quali i valori di compensazione contraccolpi, la data e l'ora iniziali, la longitudine/latitudine, e i limiti di filtraggio e rotazione saranno azzerati. Tuttavia, i parametri salvati quali gli oggetti definiti dall'utente, rimarranno salvati anche una volta selezionate le Impostazioni di fabbrica. La pulsantiera chiederà di premere il tasto "0" prima di tornare alle impostazioni predefinite di fabbrica.

Versione - Selezionando quest'opzione l'utente potrà vedere il numero di versione corrente del controllo manuale e del controllo motore. La prima serie di numeri indica la versione del software del controllo manuale. Per il controllo motore, la pulsantiera visualizzerà due serie di numeri: la prima serie di numeri è per l'azimut mentre la seconda è per l'altitudine.

Otteni posizione asse - Visualizza la relativa altitudine e all'azimut per la posizione corrente del telescopio.

VaiA posizione asse - Consente all'utente di inserire una posizione specifica relativa all'altitudine e all'azimut e di far ruotare il telescopio verso essa.

Ibernazione - L'ibernazione consente di spegnere completamente il telescopio e di mantenerne comunque l'allineamento al momento della riaccensione. Questo non solo risparmia energia, ma è ideale per coloro che tengono il proprio telescopio montato permanentemente o lo lasciano in una posizione per lunghi periodi di tempo. Per mettere il telescopio in modalità Ibernazione:

1. Selezionare Ibernazione dal menu Utilità.
2. Muovere il telescopio nella posizione desiderata e premere **INVIO**.
3. Spegner il telescopio. Ricordarsi di non spostare mai il telescopio manualmente mentre è in modalità Ibernazione.

Una volta riacceso il telescopio, lo schermo visualizzerà la dicitura Sveglia. Dopo aver premuto Invio, l'utente ha la possibilità di scorrere lungo le informazioni di ora/posizione per confermare l'impostazione corrente. Premere INVIO per svegliare il telescopio.

SUGGERIMENTO: Premendo **INDIETRO** alla schermata di Sveglia, l'utente può esplorare molte altre funzioni del controllo manuale senza svegliare il telescopio dalla modalità ibernazione. Per svegliare il telescopio dopo aver premuto il tasto **INDIETRO**, selezionare Ibernazione dal menu Utilità e premere **INVIO**. Non utilizzare i tasti direzionali per spostare il telescopio mentre è in modalità ibernazione.

Menu Sole

Per ragioni di sicurezza, il Sole non sarà visualizzato tra gli oggetti presenti nel database a meno che non sia prima abilitato. Per abilitare il Sole, andare al menu Sole e premere **INVIO**. Il Sole sarà quindi visualizzato nel catalogo dei Pianeti e può essere utilizzato come oggetto di allineamento quando si utilizza il metodo di allineamento del Sistema Solare. Per rimuovere il Sole dagli oggetti visualizzati sulla pulsantiera, selezionare ancora una volta il Menu Sole dal menu Utilità e premere **INVIO**.

Imposta posizione montatura

Il menu Imposta posizione montatura può essere utilizzato per mantenere l'allineamento in caso si desideri sganciare le frizioni o situazioni simili. Per esempio, è possibile utilizzare questa funzione se si desidera bilanciare nuovamente la montatura dopo aver completato un allineamento. Per impostare la posizione della montatura, farla semplicemente scorrere verso una stella luminosa contenuta nell'elenco delle stelle aventi un nome e selezionare Imposta posizione montatura. La pulsantiera si sincronizzerà sulla stella chiedendo all'utente di centrare la stella nell'oculare e di premere il tasto Allineamento. Una volta sincronizzato alla stella, l'utente è libero di spostare manualmente la montatura su entrambi gli assi per bilanciare nuovamente la montatura. Quando si è pronto a far ruotare il telescopio all'oggetto successivo, ricordarsi di far ritornare manualmente il tubo alla stessa stella luminosa e di centrarla nell'oculare. L'uso di questo strumento invaliderà l'indice PEC.

Accendi/Spegni GPS - se si utilizza il telescopio con l'accessorio GPS SkySync opzionale, sarà necessario accendere il GPS la prima volta che si usa l'accessorio. Se si desidera utilizzare il database del telescopio per trovare le coordinate di un oggetto celeste per date passate o future, sarà necessario spegnere il GPS al fine di inserire manualmente un'ora diversa da quella presente.

Accendi/spegni RTC - consente all'utente di spegnere l'orologio in tempo reale interno del telescopio. Al momento dell'allineamento, il telescopio riceve ancora le informazioni dal RTC. Se si desidera utilizzare il database del controllo manuale per trovare le coordinate di un oggetto celeste per date passate o future, sarà necessario spegnere il RTC al fine di inserire manualmente un'ora diversa da quella presente.

Correzione errore periodico (PEC) - la PEC è ideata per migliorare la qualità fotografica riducendo l'ampiezza degli errori degli ingranaggi a vite senza fine e migliorando la precisione di tracciatura del motore. Questa funzione è dedicata alla fotografia astrale avanzata ed è utilizzata quando il telescopio è allineato precisamente ai poli. Per maggiori informazioni sull'uso della PEC, fare riferimento alla sezione del manuale dedicata all'"Acquisizione di immagini astrali".

Menu oggetti utente

Il telescopio può salvare fino a 400 diversi oggetti definite dall'utente nella sua memoria. Gli oggetti possono essere oggetti terrestri diurni oppure un interessante oggetto celeste scoperto che non è incluso nel database regolare. Esistono vari modi per salvare un oggetto nella memoria a seconda di quale tipologia di oggetto si tratta:

VaiA Oggetto: Per andare verso qualsiasi oggetti definite dall'utente salvato nel database, scorrere in "VaiA oggetto celeste" oppure "VaiA oggetto terrestre" e inserire il numero dell'oggetto che si desidera selezionare e premere **INVIO**. Il telescopio recupererà automaticamente e visualizzerà le coordinate prima di ruotare in direzione di tale oggetto.

Salva oggetto celeste: Il telescopio salva oggetti celesti nel proprio database salvando le relative coordinate di ascensione retta e di declinazione nel cielo. In questo modo lo stesso oggetto può essere trovato ogni volta che il telescopio è allineato. Una volta centrato l'oggetto desiderato nell'oculare, scorrere semplicemente al comando "Salva oggetto del cielo" e premere **INVIO**. Lo schermo chiederà all'utente di inserire un numero tra 1 e 200 per identificare l'oggetto. Premere **INVIO** nuovamente per salvare l'oggetto nel database.

Salva database (Db)

- **Oggetto:** Questa funzione consente di creare il proprio tour personalizzato degli oggetti del database consentendo all'utente di registrare la posizione corrente del telescopio e di salvare il nome dell'oggetto selezionandolo da uno qualsiasi dei cataloghi del database. Sarà poi possibile accedere a questi oggetti selezionando VaiA oggetto del cielo.

- **Inserire A.R. - Dec:** È altresì possibile salvare una serie specifica di coordinate per un oggetto semplicemente inserendo la A.R. e la declinazione per tale oggetto. Scorrendo al comando "Inserisci AR-DEC" e premere INVIO: Lo schermo chiederà quindi all'utente di inserire prima la A.R. e quindi la declinazione dell'oggetto desiderato.
- **Salva oggetto terrestre:** Il telescopio può altresì essere utilizzato come cannocchiale per oggetti terrestri. Oggetti terrestri fissi possono essere salvati salvando l'altitudine e l'azimut relativi alla posizione del telescopio al momento dell'osservazione. Dal momento che tali oggetti sono relativi alla posizione del telescopio, essi sono validi esclusivamente per tale posizione esatta. Per salvare oggetti terrestri, centrare ancora una volta l'oggetto desiderato nell'oculare. Scorrere verso il basso e selezionare il comando "Salva oggetto terrestre", quindi premere INVIO. Lo schermo chiederà all'utente di inserire un numero tra 1 e 200 per identificare l'oggetto. Premere INVIO nuovamente per salvare l'oggetto nel database.

Per sostituire i contenuti di qualsiasi oggetto definito dall'utente, salvare semplicemente un nuovo oggetto utilizzando uno dei numeri di identificazione esistenti; il telescopio sostituirà gli oggetti definiti dall'utente precedenti con quello attuale.

Ottieni A.R./DEC - Visualizza l'ascensione retta e la declinazione per la posizione corrente del telescopio.

VaiA A.R./Dec: Consente di inserire una A.R. specifica e una declinazione di ruotare in direzione di essa.

Suggerimento: Per salvare una serie di coordinate (A.R./Dec) in modo permanente nel database, salvarle come oggetti definiti dall'utente come descritto sopra.

Identifica

La modalità Identifica cercherà uno qualsiasi dei cataloghi o degli elenchi del database della montatura e visualizzerà il nome e le distanze offset degli oggetti corrispondenti più vicini. Questa funzione può essere utilizzata per due scopi. In primo luogo, può essere utilizzata per identificare un oggetto sconosciuto nel campo visivo dell'oculare. Inoltre, la modalità Identifica può essere utilizzata per trovare altri oggetti celesti che sono vicini agli oggetti attualmente in corso di osservazione. Per esempio, se il telescopio è puntato verso la stella più luminosa nella costellazione di Lira, scegliere il tasto Identifica e quindi cercare nel catalogo delle Stelle aventi un nome ritornerà senza dubbio alla stella Vega come stella di osservazione. Selezionando Identifica e cercando nel catalogo Oggetti identificati oppure nel catalogo Messier, la pulsantiera indicherà che Nebulosa Anello (M57) si trova a circa 6° dalla propria posizione corrente. Cercando nel catalogo Double Star (Stelle doppie) si scoprirà che Epsilon Lyrae si trova a solo 1° da Vega.

Per utilizzare la funzione Identifica:

- Premere il tasto Menu e selezionare l'opzione Identifica.
- Utilizzare i tasti di scorrimento Su/Giù per selezionare il catalogo in cui si desidera cercare.
- Premere INVIO per iniziare la ricerca.

NOTA: Alcuni database contengono migliaia di oggetti e può quindi richiedere alcuni minuti per restituire gli oggetti più vicini.

VaiA di precisione

La montatura è dotata di una funzione VaiA di precisione che può assistere nel trovare oggetti estremamente deboli e nel centrare gli oggetti più vicino al centro del campo visivo per l'acquisizione di immagini astrali. Il VaiA di precisione cerca automaticamente la stella luminosa più vicina all'oggetto desiderato e chiede all'utente di centrare con attenzione la stella nell'oculare. La pulsantiera calcola quindi la piccola differenza tra la posizione VaiA e la posizione centrata. Utilizzando questo offset, la montatura ruoterà quindi all'oggetto desiderato con una precisione migliorata.

Per utilizzare il VaiA di precisione:

1. Premere il tasto MENU e utilizzare i tasti Su/Giù per selezionare il VaiA di precisione.
 - Scegliere il database da cui selezionare l'oggetto che si desidera osservare da uno qualsiasi dei cataloghi elencati nel database; oppure
 - Scegliere A.R./DEC per inserire una serie di coordinate celesti verso cui si desidera far ruotare la montatura.
2. Una volta selezionato l'oggetto desiderato, la pulsantiera cercherà e visualizzerà la stella luminosa più vicina all'oggetto desiderato. Premere INVIO per ruotare verso la stella di allineamento luminosa.
3. Utilizzare i tasti direzionali per centrare con attenzione la stella di allineamento nell'oculare.
4. Premere INVIO per ruotare verso l'oggetto desiderato.

Appendice A: Aggiornamento del Firmware della Montatura e Pulsantiera

Per verificare la presenza di nuovi aggiornamenti del firmware, fare riferimento a questo URL:

<http://software.celestron.com/updates/CFM/CFM/>

1. Collegare la pulsantiera NexStar+ alla porta AUX1 o AUX2.
2. Collegare la montatura con un cavo standard USB di tipo B al PC.
3. Inserire la spina nel CGX e accenderlo.
4. Aprire la Gestione Firmware Celestron (CFM).
5. CFM controllerà l'hardware ed eseguirà la scansione degli aggiornamenti. Inoltre, determinerà automaticamente quali componenti richiedono l'aggiornamento.
6. Cliccare su "Aggiorna" in CFM e consentire il completamento degli aggiornamenti.

Appendice B: Cura e Manutenzione

La montatura CGX è solida e durerà molti anni se conservata correttamente.

Conservazione

Anche se la montatura e l'elettronica sono progettate per uso esterno, non è necessario conservare la montatura all'esterno a meno che non sia riparata da un osservatorio o strutture di protezione (quali, ad esempio, il garage). Condizioni estreme di temperatura o umidità possono eventualmente usurare l'elettronica, la lubrificazione meccanica e la qualità di finitura della montatura. Conservare in luogo al riparo dal sole. Conservare in un luogo asciutto.

GARANZIA LIMITATA DI DUE ANNI CELESTRON

A. Celestron garantisce che la montatura per telescopio è priva di difetti nei materiali e di fabbricazione per due anni. Celestron riparerà o sostituirà tale prodotto o parte dello stesso che, dopo una verifica da parte di Celestron, risulti essere difettoso nei materiali o nella fabbricazione. Come condizione dell'obbligo di Celestron di riparare o sostituire detto prodotto, il prodotto deve essere restituito a Celestron assieme a una prova d'acquisto che sia soddisfacente per Celestron.

B. Il Numero di autorizzazione alla restituzione adeguato deve essere ottenuto da Celestron prima della restituzione. Chiamare Celestron al numero (310) 328-9560 per ricevere il numero da mostrare all'esterno della confezione di spedizione.

Tutte le restituzioni devono essere accompagnate da una dichiarazione scritta indicante il nome, l'indirizzo e un numero di telefono del proprietario, assieme a una breve descrizione del difetto reclamato. Le parti del prodotto per cui si effettua la sostituzione diventano proprietà di Celestron.

Il cliente è responsabile di tutti i costi di trasporto e assicurazione, da e verso la fabbrica di Celestron, che devono essere pagati in anticipo.

Celestron farà del suo meglio per riparare o sostituire qualsiasi montatura di telescopio coperta dalla presente garanzia entro trenta giorni dalla ricezione. In caso la riparazione o la sostituzione richieda più di trenta giorni, Celestron notificherà il cliente di conseguenza. Celestron si riserva il diritto di sostituire qualsiasi prodotto di cui sia stata interrotta la produzione con un prodotto nuovo di valore e funzione simile.

La presente garanzia sarà annullata e non sarà più in vigore o efficace nel caso in cui un prodotto coperto da garanzia sia stato modificato nel design o nelle funzioni, o si sospetti l'abuso, l'uso improprio, cattiva gestione o riparazioni non autorizzate. Inoltre, il malfunzionamento o il deterioramento del prodotto dovuti alla normale usura del prodotto non sono coperti dalla garanzia.

CELESTRON DECLINA QUALSIASI GARANZIA, ESPRESSA O IMPLICITA, SIA DI COMMERCIALIZZABILITÀ SIA DI ADEGUATEZZA PER UN DETERMINATO SCOPO, ECCETTO NEI CASI ESPRESSAMENTE QUI INDICATI. IL SOLO OBBLIGO DI CELESTRON RELATIVO A QUESTA GARANZIA LIMITATA È QUELLO DI RIPARARE O SOSTITUIRE IL PRODOTTO COPERTO DALLA GARANZIA SECONDO I TERMINI QUI INDICATI. CELESTRON DECLINA QUALSIASI GARANZIA PER PERDITE DI PROFITTI O DANNI GENERALI, SPECIALI, INDIRECTI O CONSEGUENTI DERIVATI DALLA VIOLAZIONE DELLA GARANZIA, O DALL'USO O L'INCAPACITÀ DI UTILIZZO DI QUALSIVOGLIA PRODOTTO CELESTRON. LE GARANZIE IMPLICITE E CHE NON POSSONO ESSERE DECLINATE SONO LIMITATE NELLA DURATA A UN TERMINE DI DUE ANNI DALLA DATA D'ACQUISTO.

Alcuni Stati non consentono l'esclusione o la limitazione di danni accidentali o conseguenti, o limitazioni sulla durata di una garanzia implicita, per cui le limitazioni ed esclusioni sopra indicate potrebbero non essere applicabili.

La presente garanzia dà all'utente specifici diritti legali, oltre ad altri diritti che possono variare da Stato a Stato.

Celestron si riserva il diritto di modificare o sospendere la produzione, senza previa notifica, di qualsivoglia modello o stile di telescopio.

In caso di problemi relativi alla garanzia, o in caso si necessiti di assistenza nell'uso dell'attacco per telescopio, contattare:

Celestron
Reparto di assistenza clienti
2835 Columbia Street
Torrance, CA 90503
Tel. 800.421.9649
Dal lunedì al venerdì dalle 8:00 alle 16:00 PST.

NOTA: La presente garanzia è valida per i clienti di Stati Uniti e Canada che hanno acquistato il proprio prodotto da un rivenditore Celestron autorizzato negli Stati Uniti o in Canada. La garanzia al di fuori di Stati Uniti e Canada è valida esclusivamente per i clienti che hanno effettuato l'acquisto da un distributore internazionale Celestron o da un rivenditore autorizzato Celestron nello specifico Paese. Contattare tali rivenditori per qualsiasi tipo di assistenza relativamente alla garanzia.



Nota FCC: La presente apparecchiatura è stata testata ed è risultata conforme ai limiti imposti per i dispositivi digitali di Classe B, ai sensi della Parte 15 delle Norme FCC. Tali limiti sono stati ideati per fornire un'adeguata protezione nei confronti di interferenze dannose in installazioni residenziali. La presente apparecchiatura genera, utilizza e può irradiare energia in radio frequenza e, se non installata e utilizzata conformemente alle istruzioni, può causare interferenze dannose alle radiocomunicazioni. Tuttavia, non esiste alcuna garanzia che l'interferenza non si verifichi in una particolare installazione. Nel caso in cui la presente apparecchiatura causi interferenze dannose alla ricezione radio o televisiva, il che potrebbe essere determinato dall'accensione e dallo spegnimento dell'apparecchiatura, l'utente è incoraggiato a tentare di correggere l'interferenza mediante una o più delle misure seguenti:

- Riorientare o riposizionare l'antenna di ricezione.
- Aumentare la distanza tra l'apparecchiatura e il ricevitore.
- Collegare il dispositivo a una presa su un circuito diverso da quello a cui è collegato il ricevitore.
- Consultare il rivenditore o un tecnico radio/TV esperto per l'assistenza.

Il design del prodotto e le specifiche sono soggetti a modifiche senza previa notifica.

Questo prodotto è progettato per essere utilizzato da persone di età pari o superiore ai 14 anni.

www.celestron.com
2835 Columbia Street • Torrance, CA 90503 U.S.A.
Telefono: 800.421.9649
©2017 Celestron • Tutti i diritti riservati.

